



US00D745816S

(12) **United States Design Patent**
Zhao

(10) **Patent No.:** **US D745,816 S**

(45) **Date of Patent:** **** Dec. 22, 2015**

- (54) **OPTICAL FIBER CLEAVER**
- (71) Applicant: **DH INFOTECH (WEIHAI) INC.,**
WeiHai, Shandong Province (CN)
- (72) Inventor: **Yangri Zhao, WeiHai (CN)**
- (73) Assignee: **DH INFOTECH (WEIHAI) INC.,**
Weihai, Shandong Province (TW)
- (**) Term: **14 Years**
- (21) Appl. No.: **29/476,702**
- (22) Filed: **Dec. 16, 2013**
- (51) **LOC (10) Cl.** **08-05**
- (52) **U.S. Cl.**
USPC **D8/51**
- (58) **Field of Classification Search**
USPC D8/51, 14, 70.1, 98, 5, 52;
385/134-137, 98; 30/192; 225/96.2, 2,
225/105, 1, 96; 83/24, 613, 167
CPC C03B 37/026
See application file for complete search history.

8,984,996	B2 *	3/2015	Zhao	83/167
9,016,535	B2 *	4/2015	Hasegawa et al.	225/96
2002/0073815	A1 *	6/2002	Dean et al.	83/24
2007/0292092	A1 *	12/2007	Hayashi et al.	385/134
2010/0163593	A1 *	7/2010	Song et al.	225/96
2013/0075440	A1 *	3/2013	Hasegawa et al.	225/96
2014/0151425	A1 *	6/2014	Hasegawa et al.	225/96
2014/0299645	A1 *	10/2014	Lurie et al.	225/96

FOREIGN PATENT DOCUMENTS

CN 302383326 S 4/2013

* cited by examiner

Primary Examiner — Ian Simmons

Assistant Examiner — Harold Blackwell, II

(74) *Attorney, Agent, or Firm* — Muncy, Geissler, Olds & Lowe, P.C.

(57) **CLAIM**

The ornamental design for a optical fiber cleaver, as shown and described.

DESCRIPTION

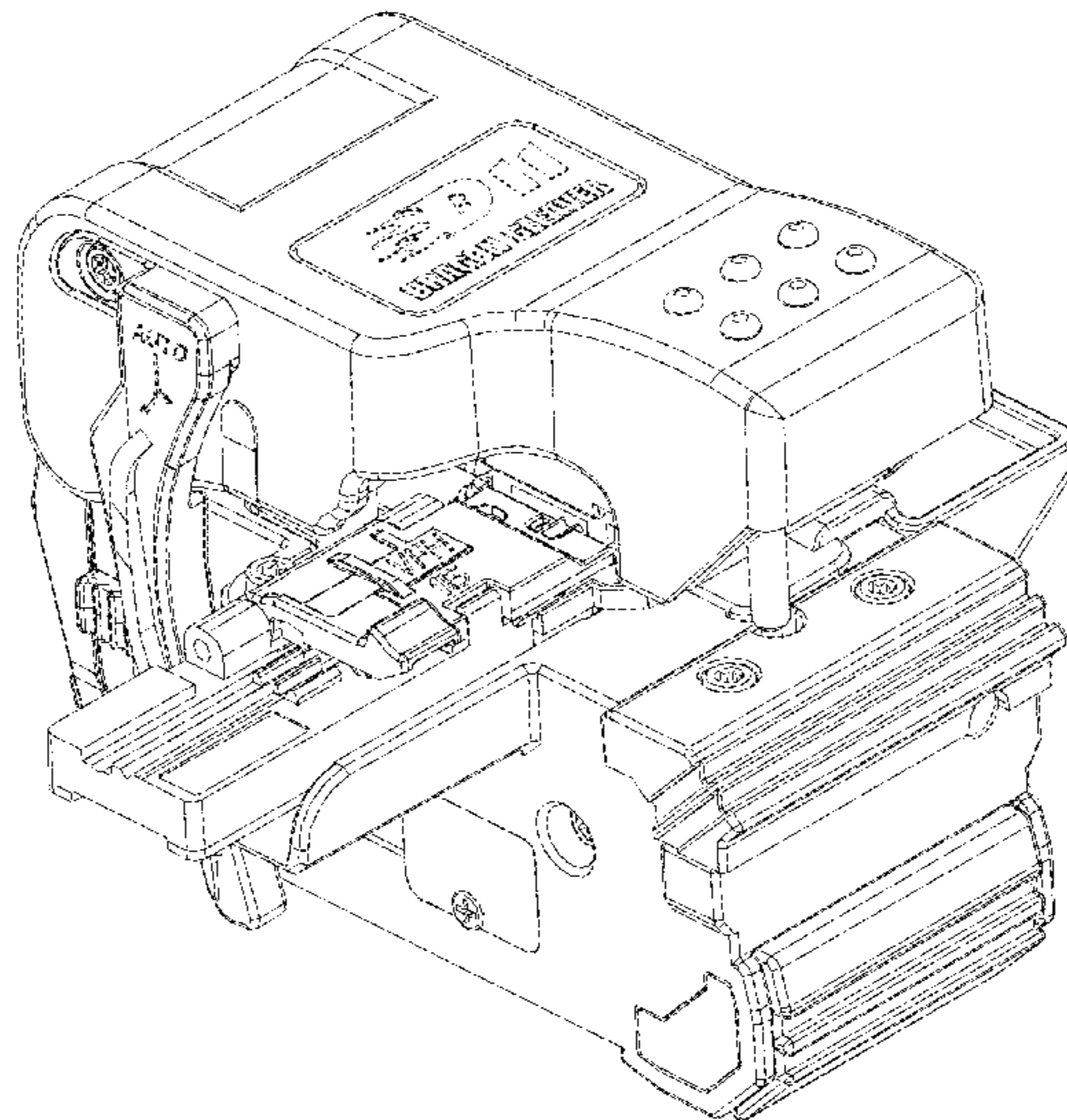
FIG. 1 is a front, left, top perspective view of a optical fiber cleaver showing my new design;
 FIG. 2 is a front, right, top perspective view thereof;
 FIG. 3 is a rear, right, top perspective view thereof;
 FIG. 4 is a front, right, bottom perspective view thereof;
 FIG. 5 is a rear, left, bottom perspective view thereof;
 FIG. 6 is a front elevational view thereof;
 FIG. 7 is a rear elevational view thereof;
 FIG. 8 is a right side view thereof;
 FIG. 9 is a left side view thereof;
 FIG. 10 is a top plan view thereof; and,
 FIG. 11 is a bottom plan view thereof.
 The broken line showing is for the purpose of illustrating portions of the article and forms no part of the claimed design.

1 Claim, 11 Drawing Sheets

(56) **References Cited**

U.S. PATENT DOCUMENTS

D150,002	S *	6/1948	Eisenberg et al.	D8/70.1
4,474,319	A *	10/1984	Walker	225/96.5
5,395,025	A *	3/1995	Borer et al.	225/2
6,598,508	B1 *	7/2003	Ishikawa et al.	83/613
6,978,071	B2 *	12/2005	Hwang et al.	385/134
7,070,078	B2 *	7/2006	Song	225/105
7,116,882	B2 *	10/2006	Watte et al.	385/134
7,292,765	B2 *	11/2007	Sato	385/137
7,669,744	B2 *	3/2010	Yazaki et al.	225/1
8,506,178	B2 *	8/2013	Takeuchi et al.	385/98
D692,739	S *	11/2013	Hasegawa et al.	D8/51
D692,740	S *	11/2013	Hasegawa et al.	D8/51
D694,602	S *	12/2013	Hasegawa et al.	D8/51



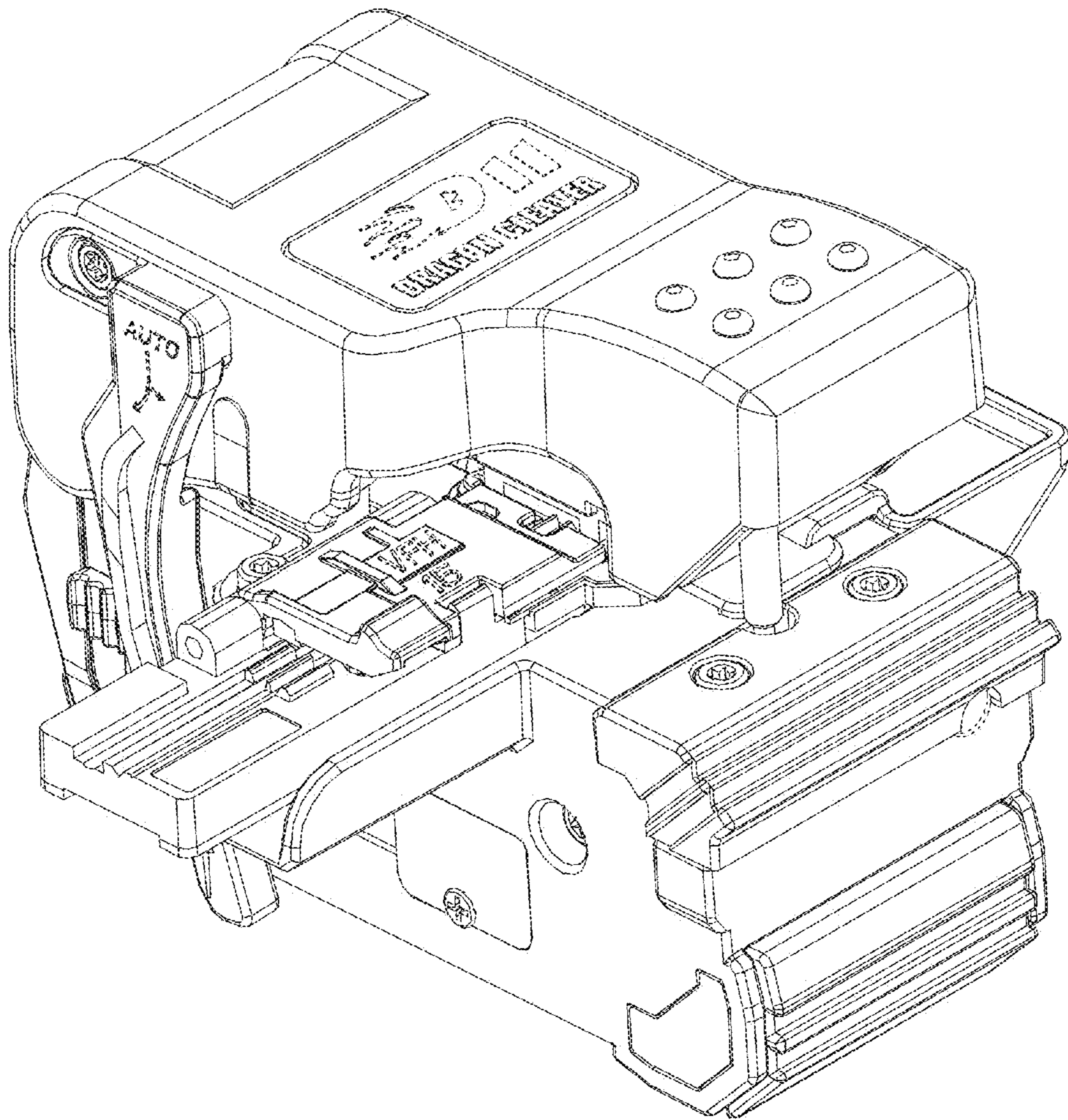


FIG. 1

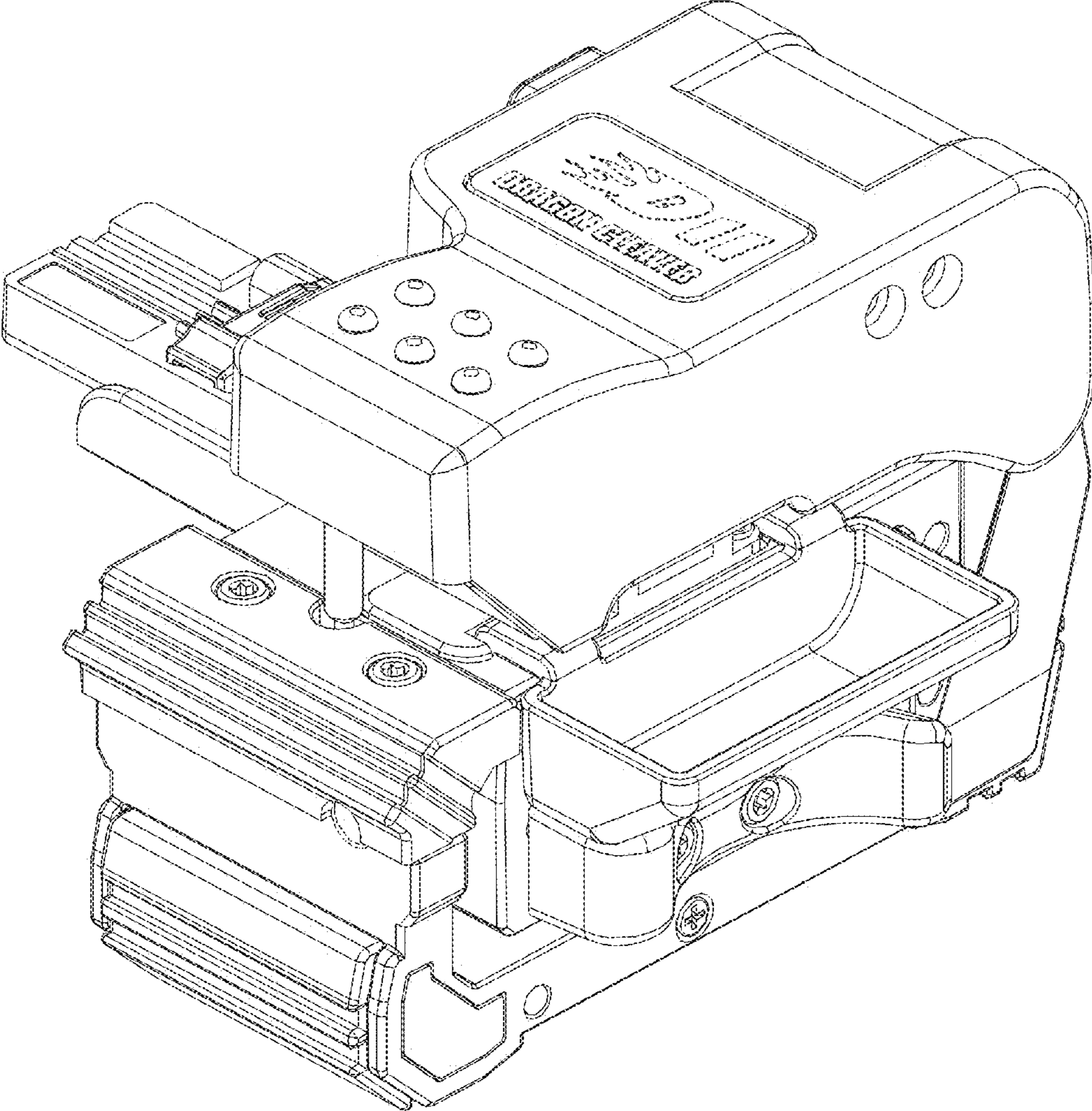


FIG. 2

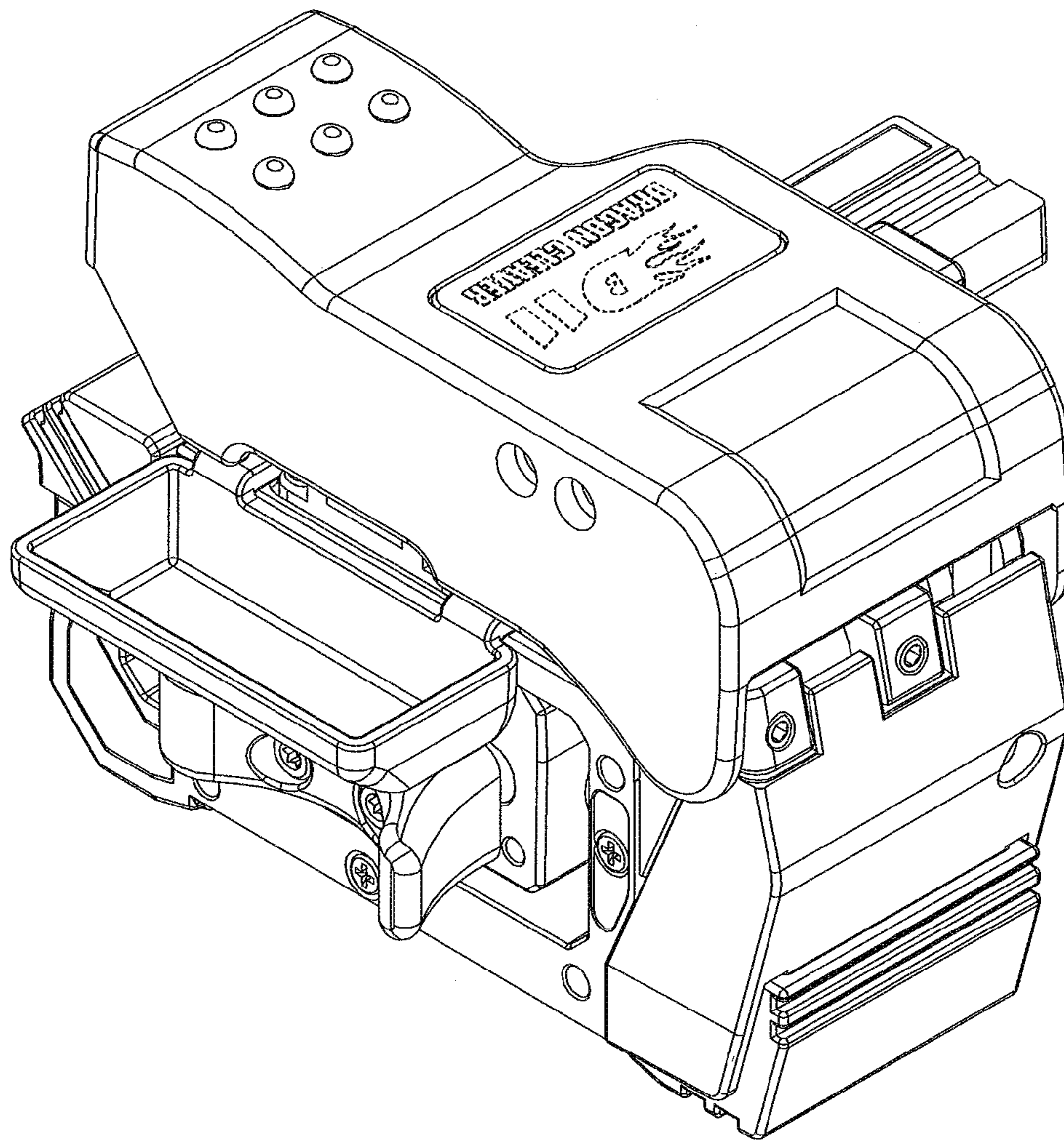


FIG. 3

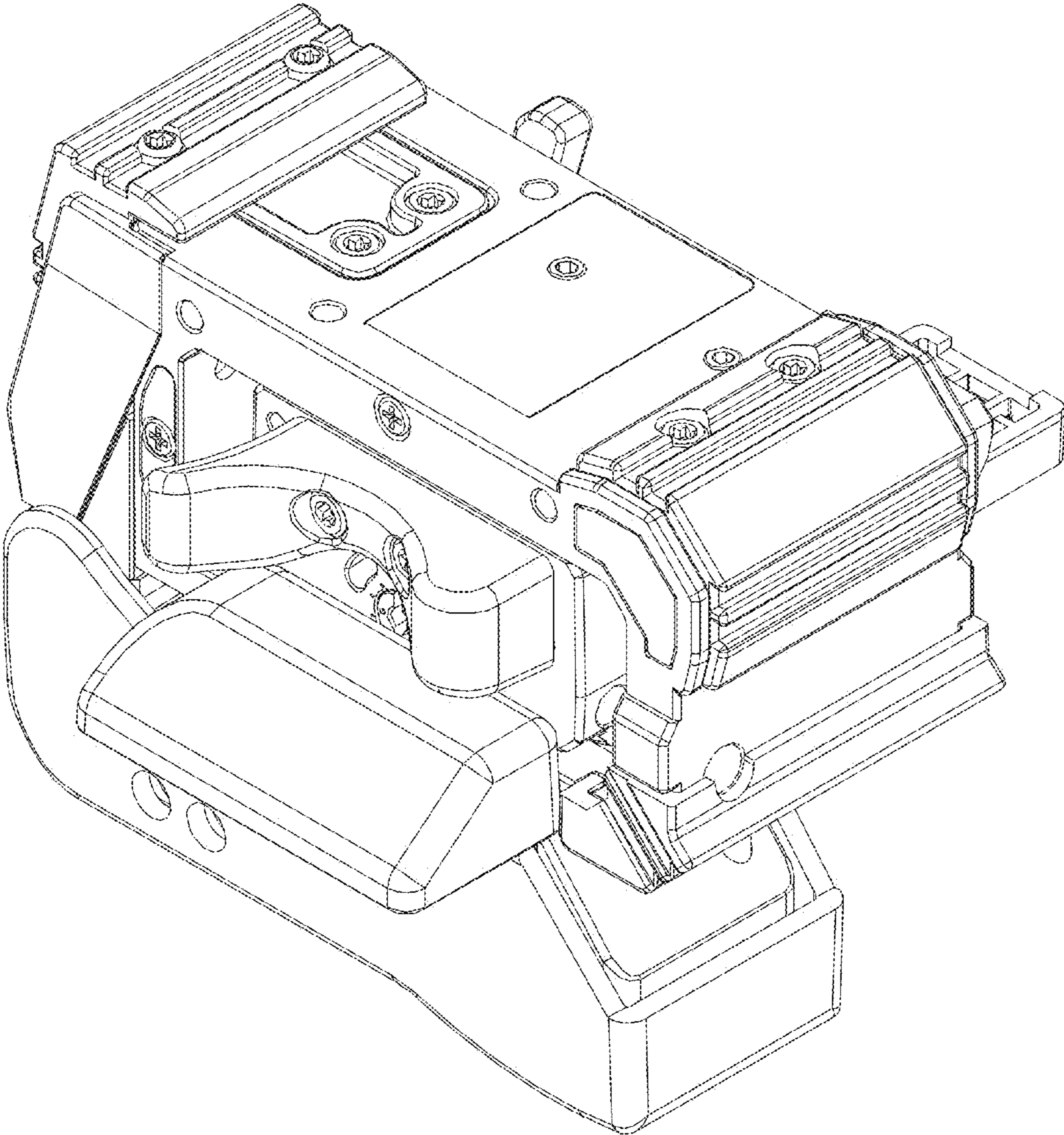


FIG. 4

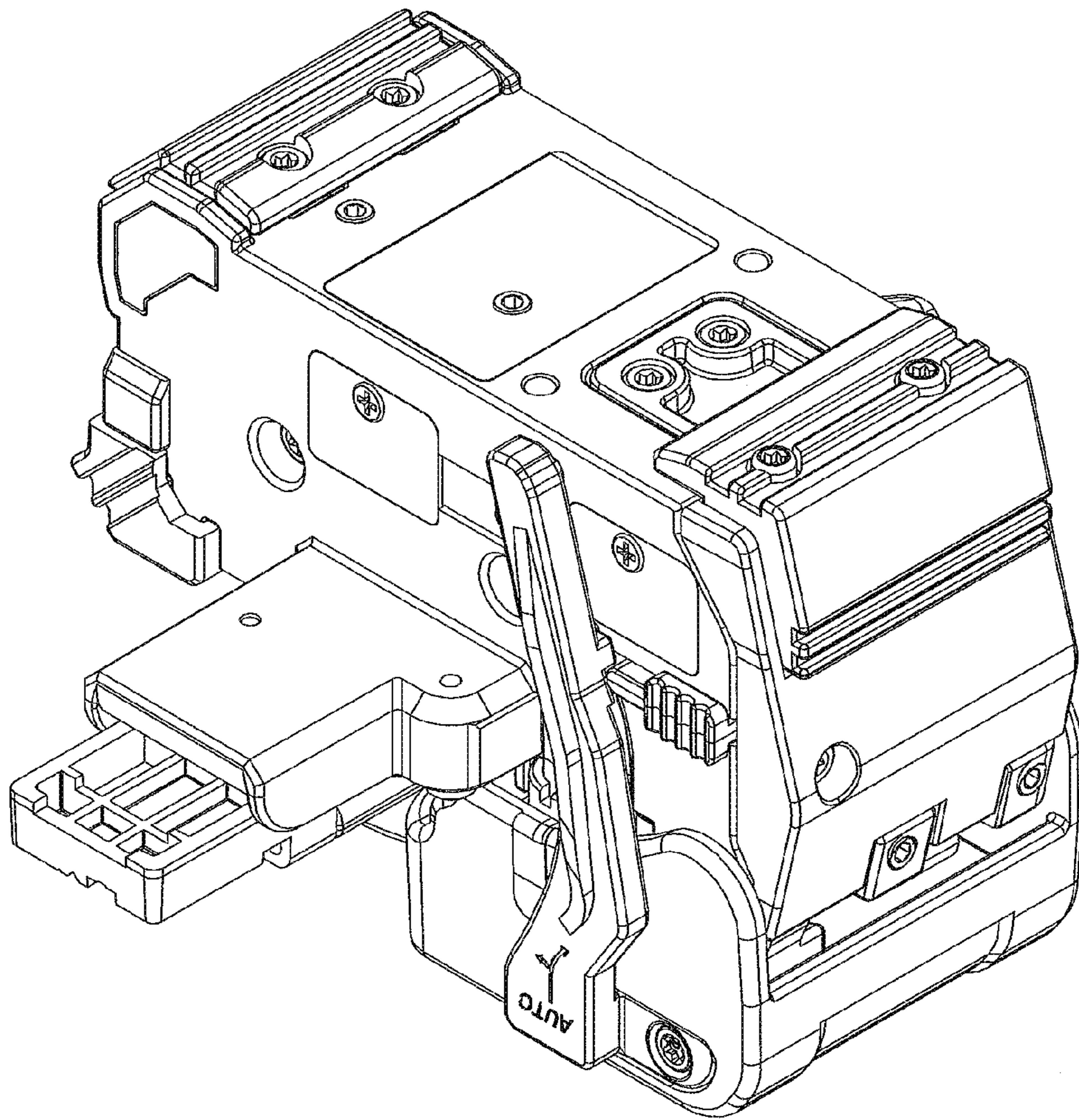


FIG. 5

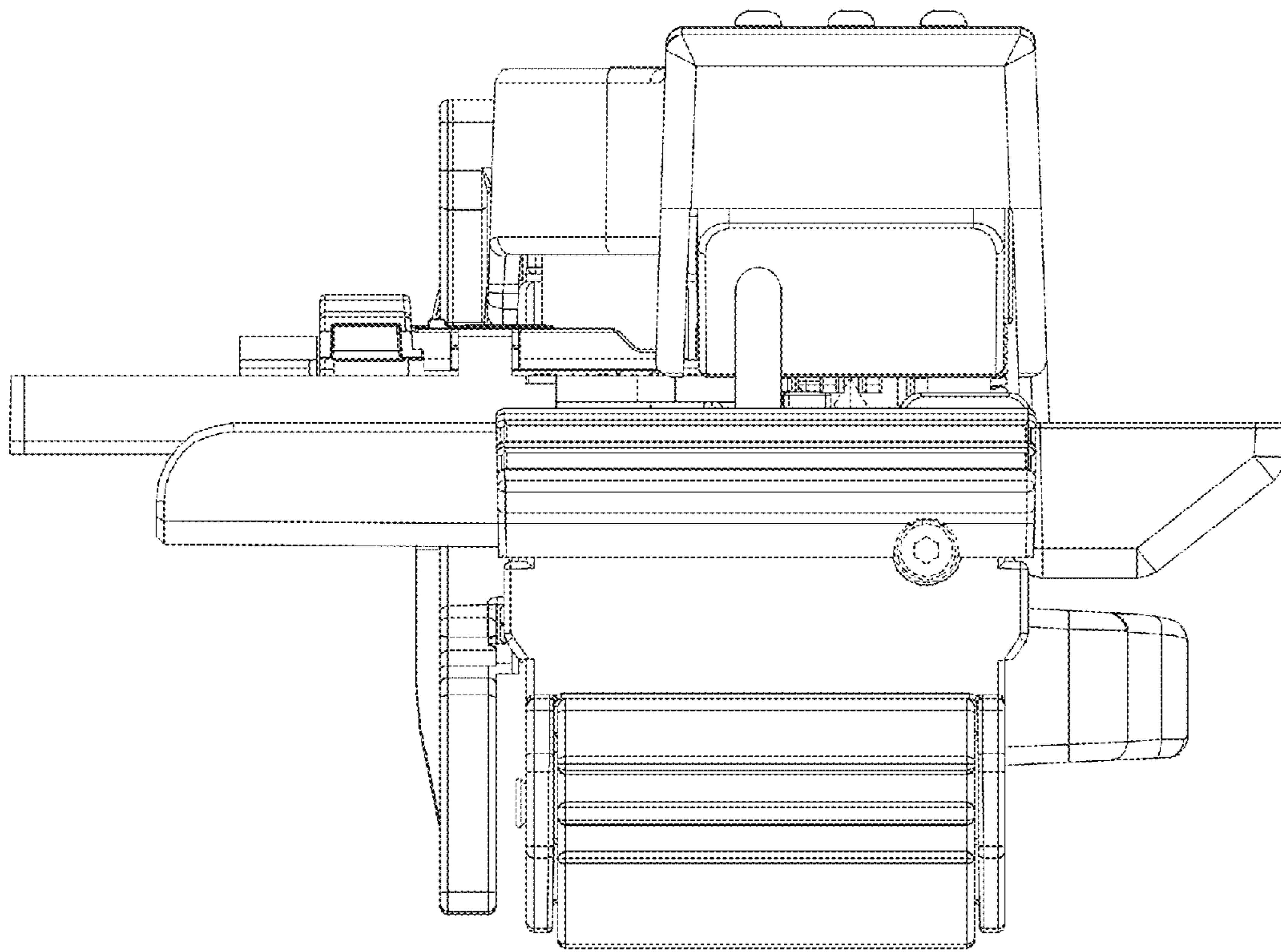


FIG. 6

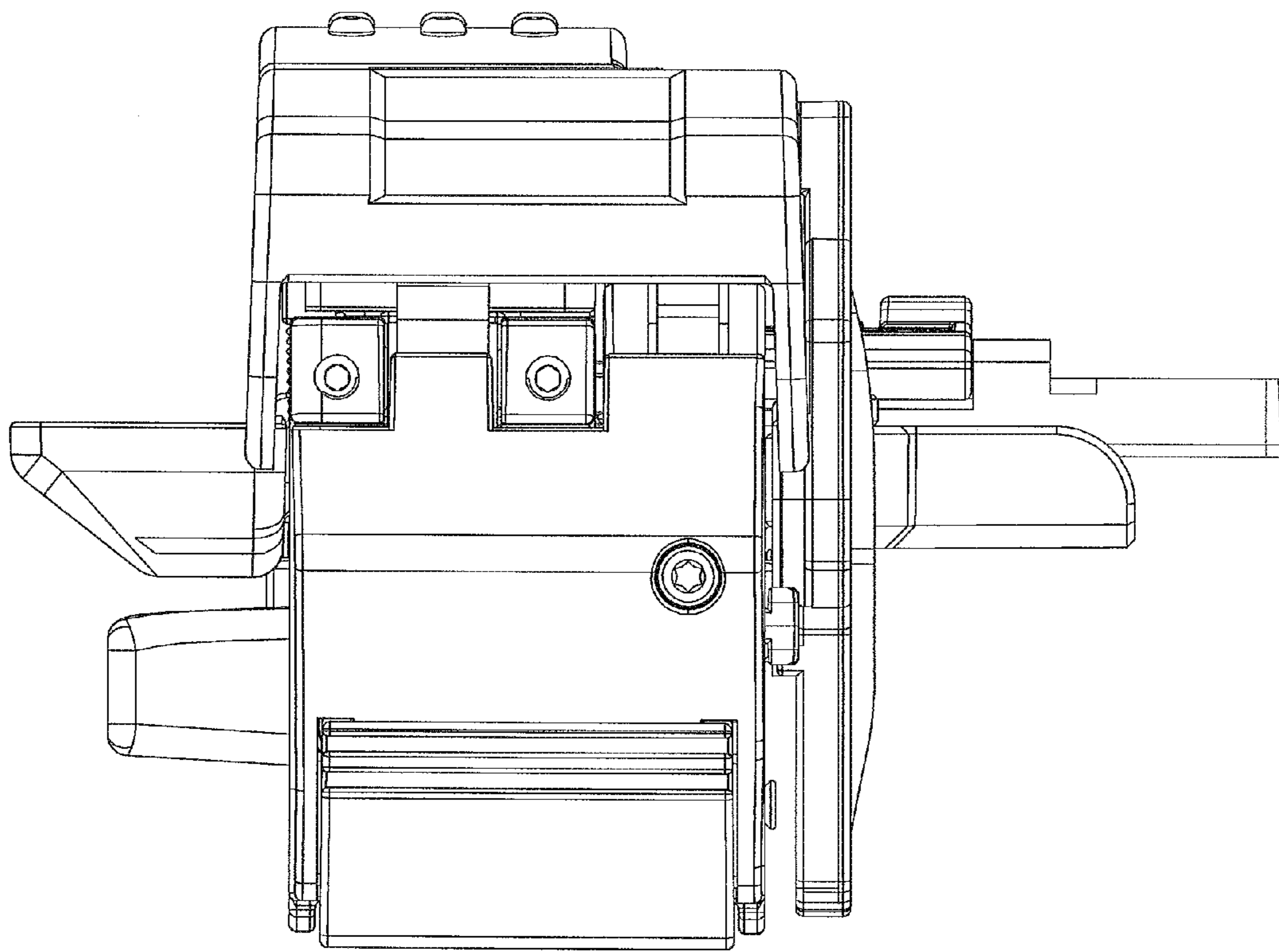


FIG. 7

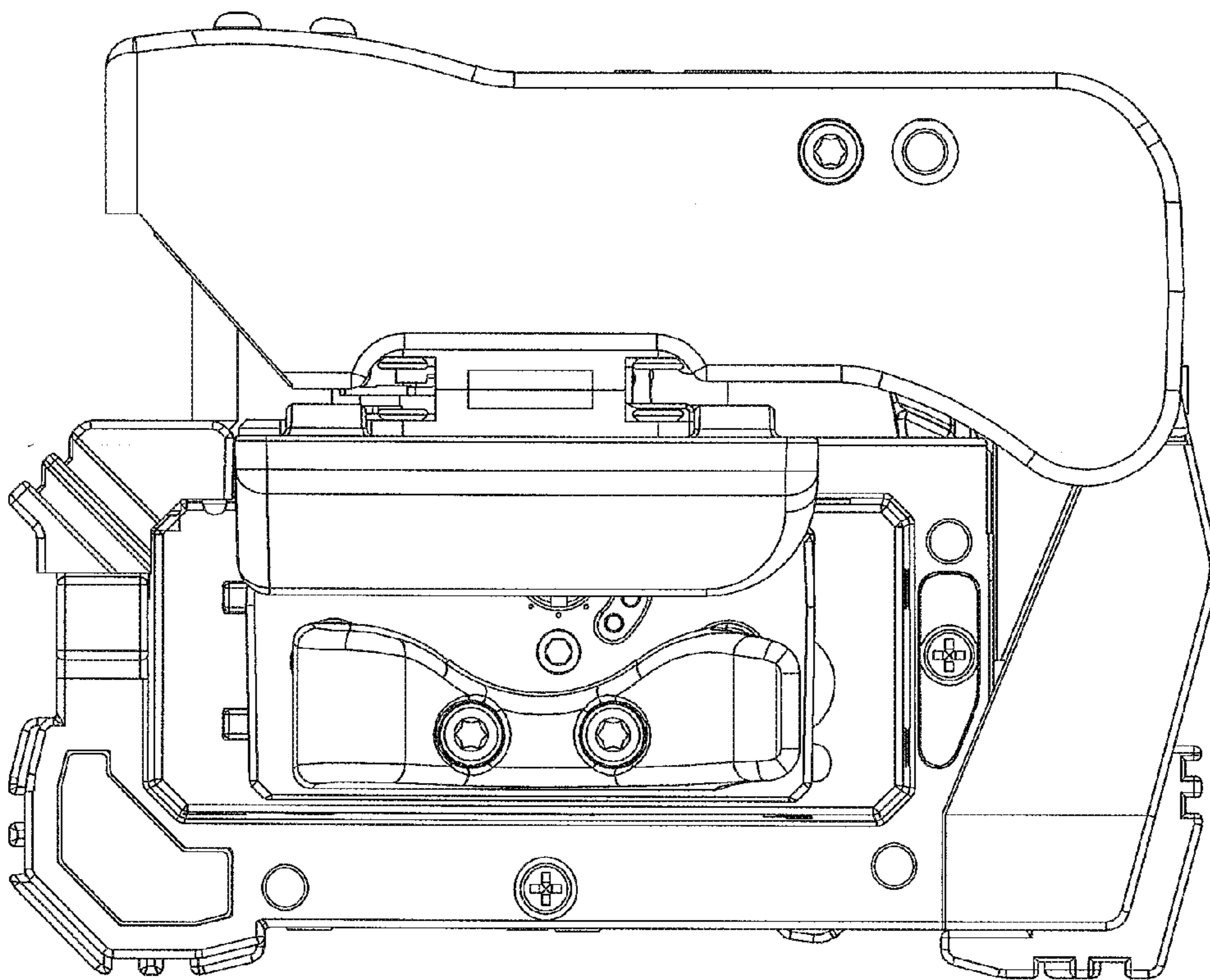


FIG. 8

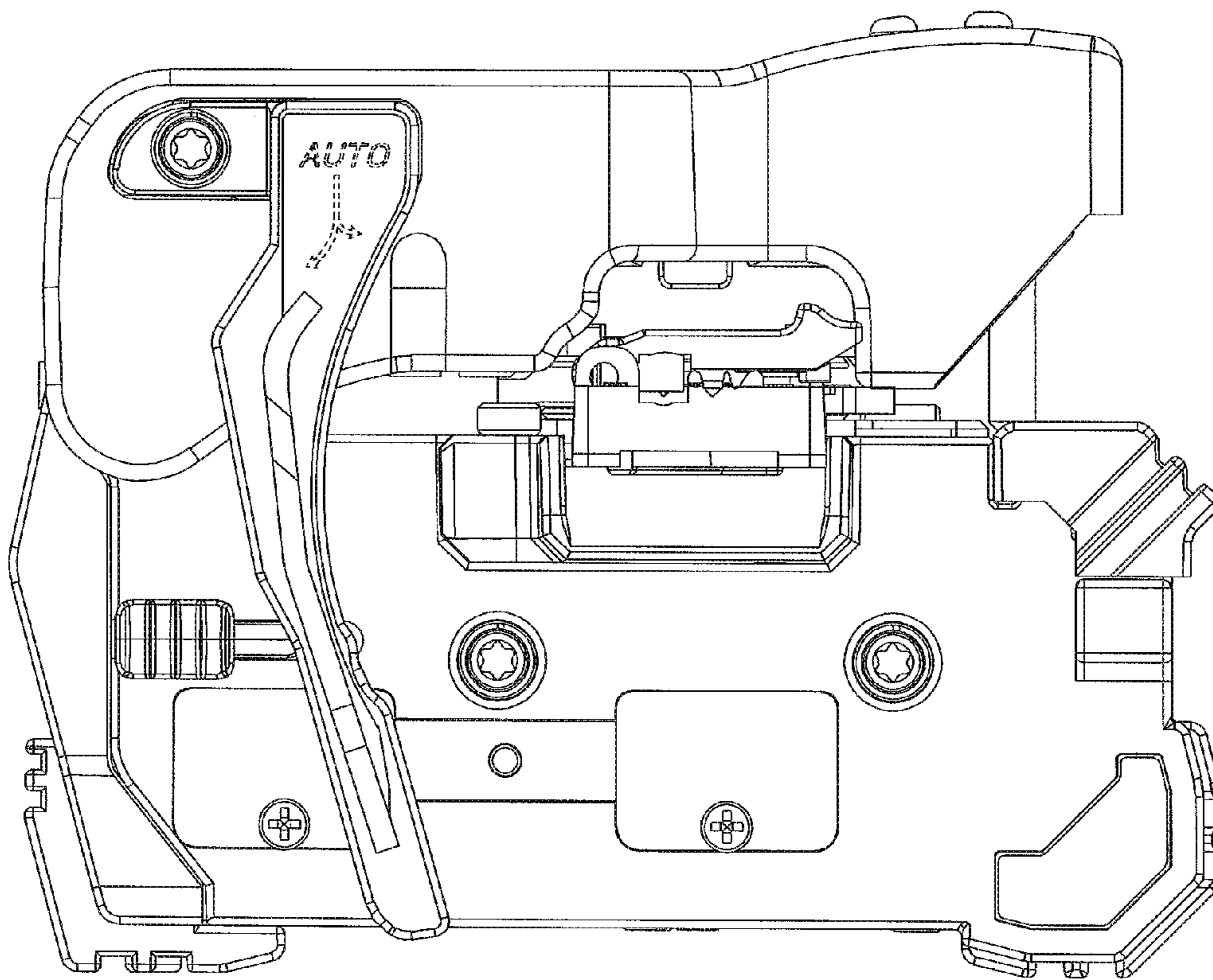


FIG. 9

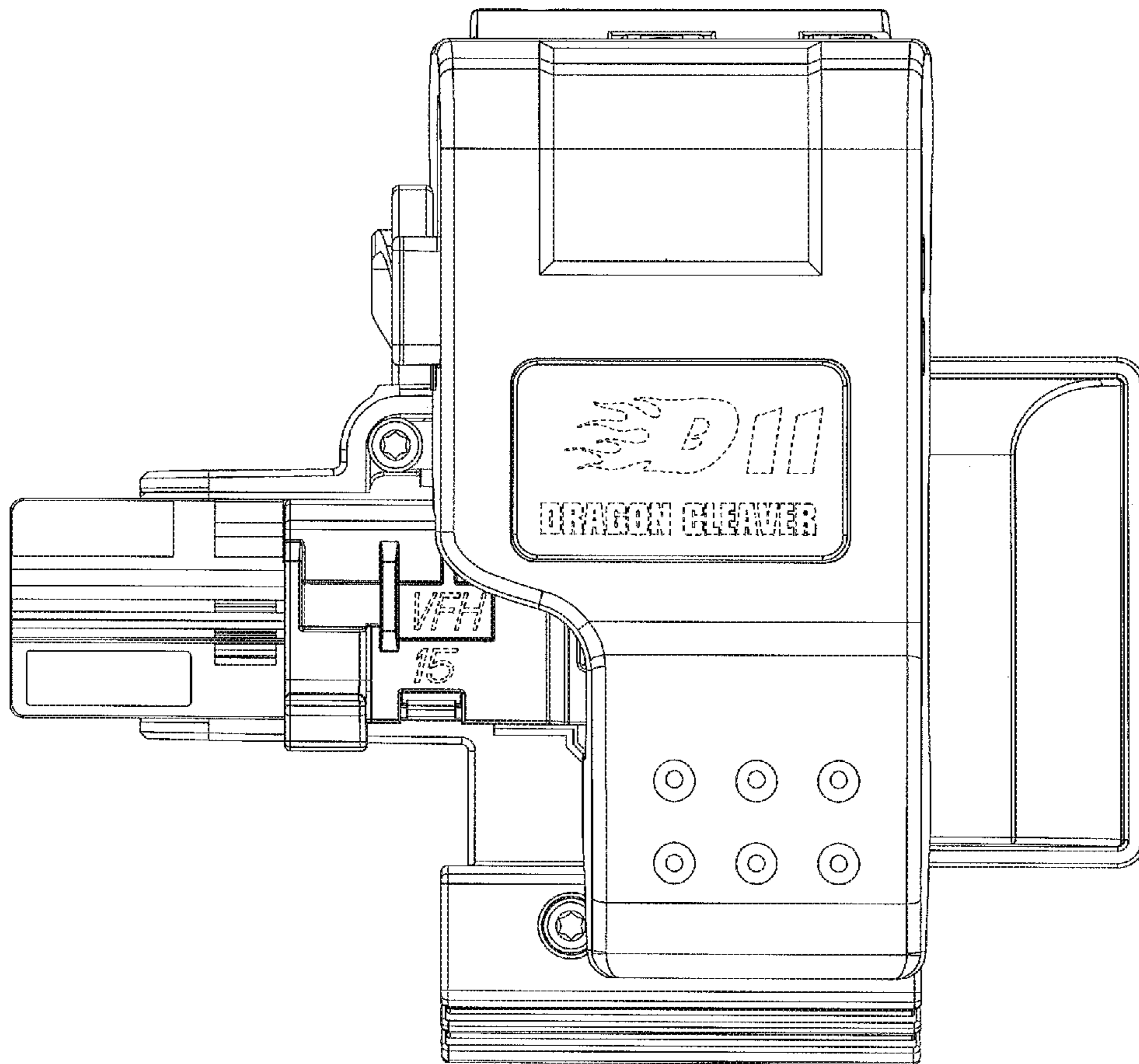


FIG. 10

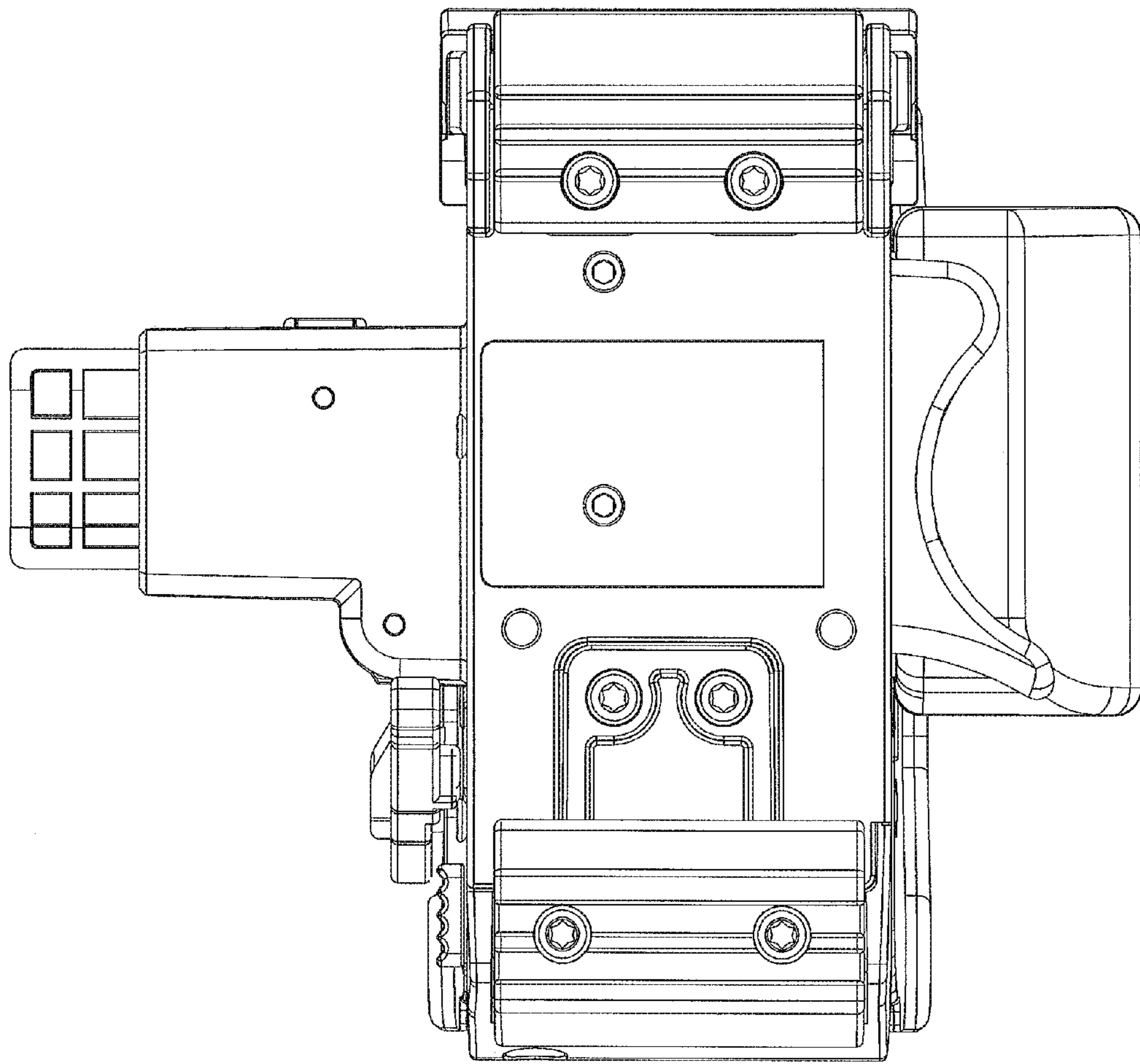


FIG. 11