



US00D745810S

(12) **United States Design Patent**
Golic et al.

(10) **Patent No.:** **US D745,810 S**

(45) **Date of Patent:** **** Dec. 22, 2015**

(54) **COOLER**

4,460,188 A * 7/1984 Maloof 280/30
4,724,681 A * 2/1988 Bartholomew et al. 62/239
4,846,493 A * 7/1989 Mason 280/641

(71) Applicant: **GOLIC, LLC**, Avon, CT (US)

(Continued)

(72) Inventors: **Jacob Kenneth Golic**, Avon, CT (US);
Michael Louis Golic, Avon, CT (US);
Aaron Szymanski, Thomaston, CT
(US); **Michael Mennone**, Guilford, CT
(US); **Mohan Rajasekaran**, Bristol, CT
(US)

FOREIGN PATENT DOCUMENTS

FR 2782620 3/2000

OTHER PUBLICATIONS

Patent Cooperation Treaty; International Searching Authority; PCT/
US2014/046132; International Search Report and Written Opinion;
Mailing date: Nov. 3, 2014; 13 pages.

(Continued)

(73) Assignee: **GOLIC, LLC**, Avon, CT (US)

(**) Term: **14 Years**

(21) Appl. No.: **29/521,638**

(22) Filed: **Mar. 25, 2015**

Primary Examiner — Terry Wallace

(74) *Attorney, Agent, or Firm* — Cantor Colburn LLP

(57) **CLAIM**

We claim, the ornamental design for a cooler, as shown and described.

DESCRIPTION

FIG. 1 is a front perspective view of a cooler, showing our new design in an exemplary embodiment;
FIG. 2 is a front perspective view of the embodiment shown in FIG. 1, the cooler being shown in another configuration;
FIG. 3 is a front elevation view of the embodiment shown in FIG. 1;
FIG. 4 is a rear elevation view of the embodiment shown in FIG. 1;
FIG. 5 is a top plan view of the embodiment shown in FIG. 1;
FIG. 6 is a bottom plan view of the embodiment shown in FIG. 1;
FIG. 7 is a side elevation view of the embodiment shown in FIG. 1; and,
FIG. 8 is another side elevation view of the embodiment shown in FIG. 1.

The broken lines are for environmental purpose only and form no part of the claimed design.

Related U.S. Application Data

(62) Division of application No. 29/460,424, filed on Jul. 10, 2013, now Pat. No. Des. 731,858.

(51) **LOC (10) Cl.** **07-01**

(52) **U.S. Cl.**
USPC **D7/605**

(58) **Field of Classification Search**
USPC D7/605–608, 629; 62/457.1–457.9,
62/371, 372; 220/592.01, 592.03, 592.08,
220/592.2, 592.16–592.27, 915.1, 915.2;
280/87.043, 79.2, 655, 47.21, 47.24,
280/47.18, 47.17, 655.1, 47.23, 652, 47.33,
280/638, 47.26, 47.2

CPC F25D 2331/804; A45C 11/20; A45C 5/14;
B62B 2202/52

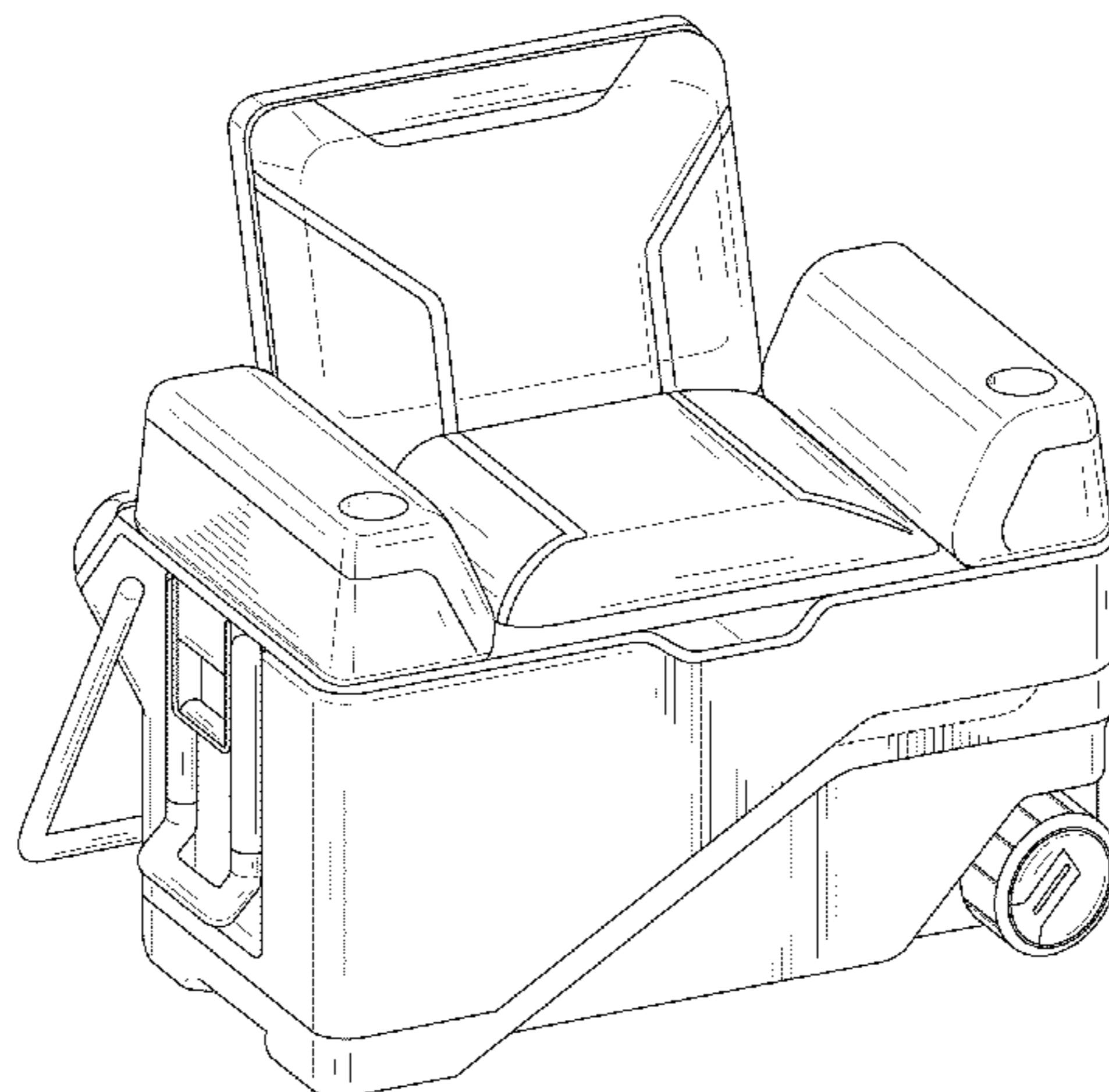
See application file for complete search history.

(56) **References Cited**

U.S. PATENT DOCUMENTS

1,895,864 A 1/1933 Ricci
2,663,391 A * 12/1953 Kuhns 190/12 R

1 Claim, 7 Drawing Sheets



(56)

References Cited

U.S. PATENT DOCUMENTS

5,100,198 A * 3/1992 Baltzell 312/235.2
 5,269,157 A * 12/1993 Ciminelli et al. 62/457.7
 5,313,817 A * 5/1994 Meinders 62/457.1
 5,480,170 A * 1/1996 Kaiser, II 280/30
 D368,387 S * 4/1996 Bureau D6/397
 D369,695 S * 5/1996 Imotani D6/397
 5,727,844 A 3/1998 O'Quinn et al.
 5,803,472 A * 9/1998 Lien 280/47.26
 D415,658 S * 10/1999 Frehse D7/605
 6,311,991 B1 * 11/2001 Conrado et al. 280/47.26
 D484,004 S * 12/2003 Lee D7/605
 6,993,931 B1 * 2/2006 Hamilton 62/457.7
 7,163,262 B2 * 1/2007 Anglin 297/217.1

7,559,602 B2 7/2009 Ward et al.
 D604,994 S * 12/2009 Greenlees et al. D7/605
 7,810,350 B2 10/2010 Shelton
 D652,263 S * 1/2012 Whitman D7/605
 D667,697 S * 9/2012 Shah D7/605
 8,356,712 B2 1/2013 Piazza, Jr.
 2007/0101754 A1 * 5/2007 Maldonado 62/389
 2008/0223862 A1 * 9/2008 Vanderberg et al. 220/592.03
 2009/0217699 A1 9/2009 Ball

OTHER PUBLICATIONS

Restriction Requirement, dated Sep. 26, 2014, U.S. Appl. No. 29/460,424, 7 pages.

* cited by examiner

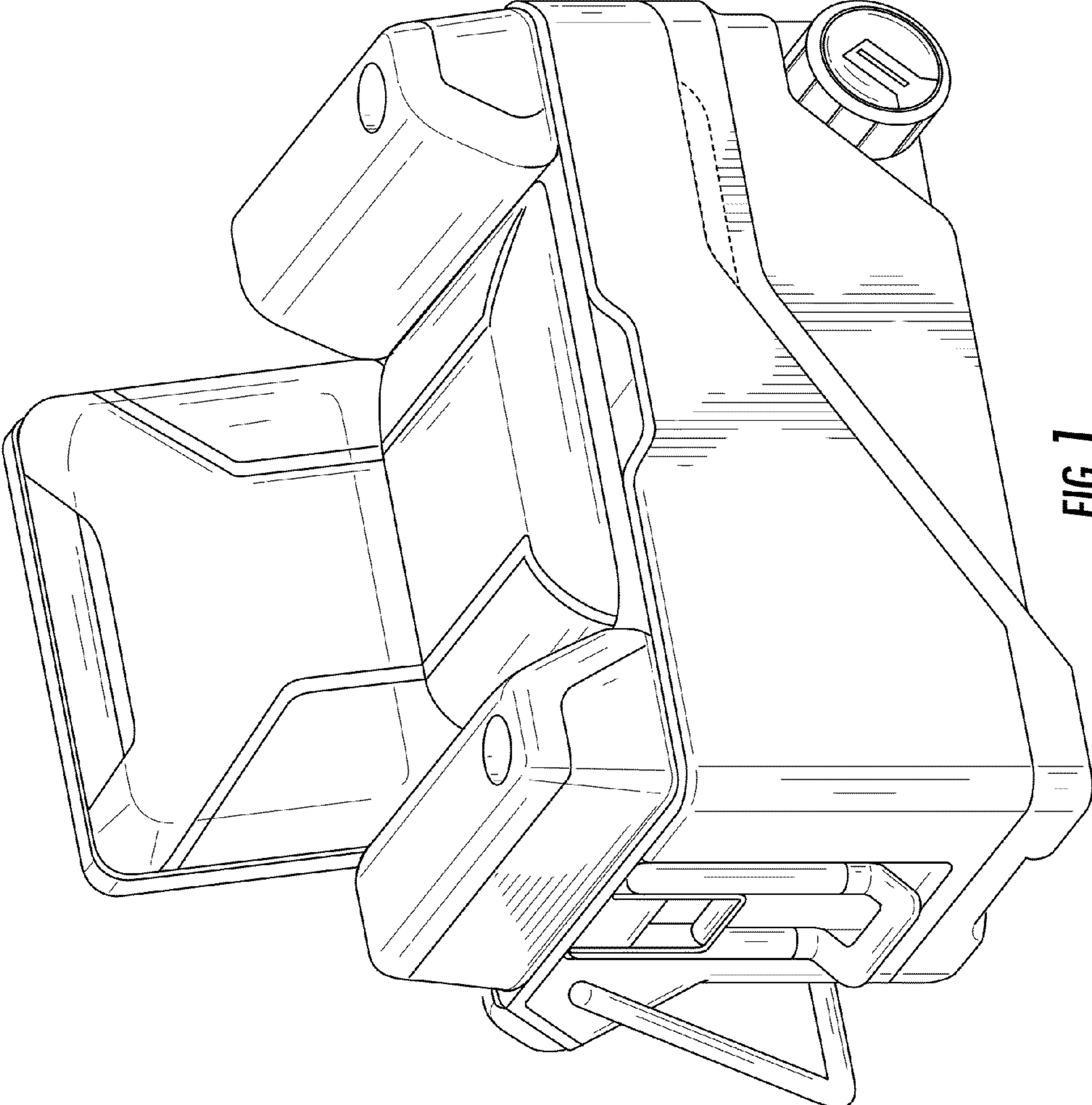


FIG. 1

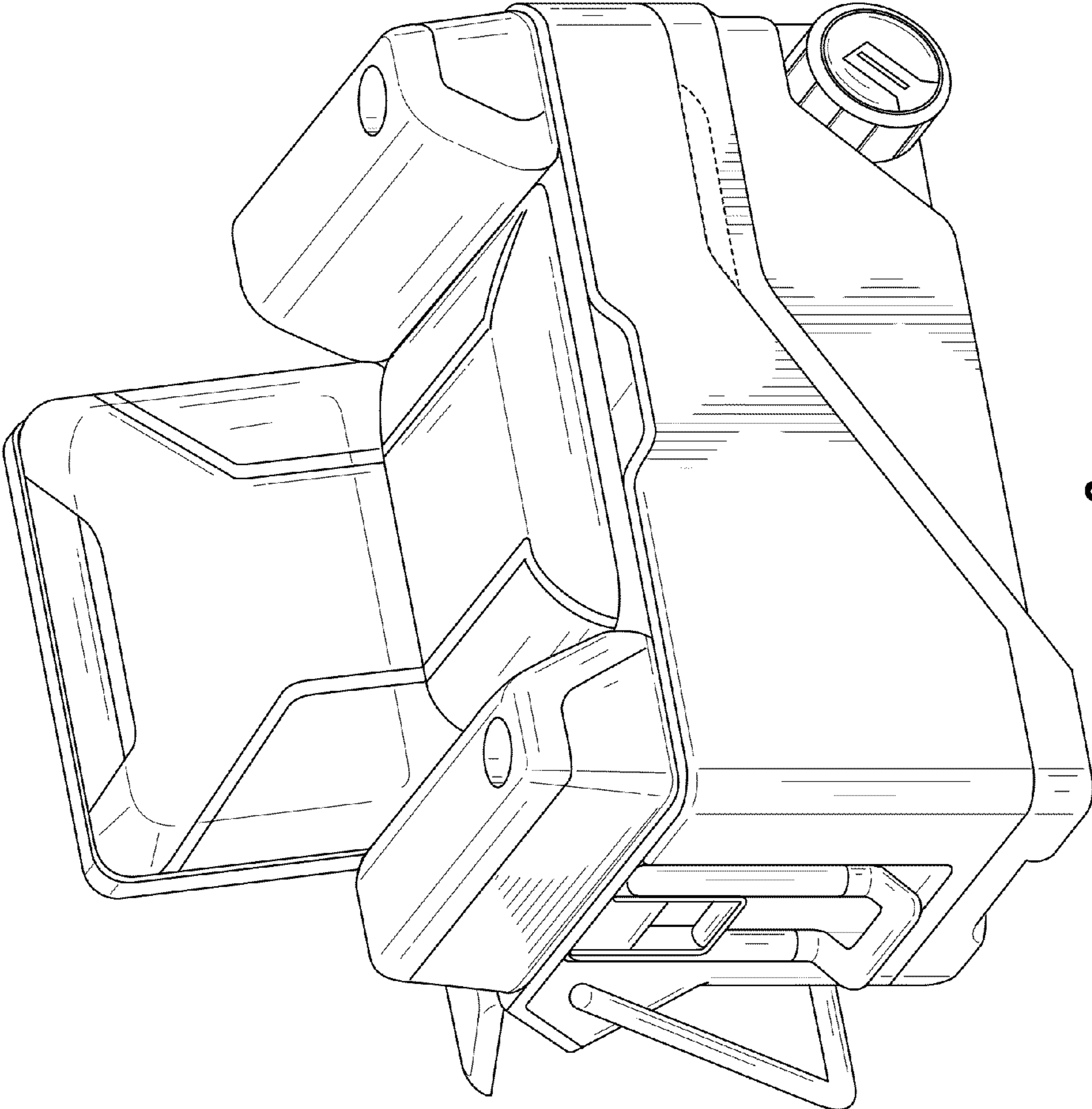


FIG. 2

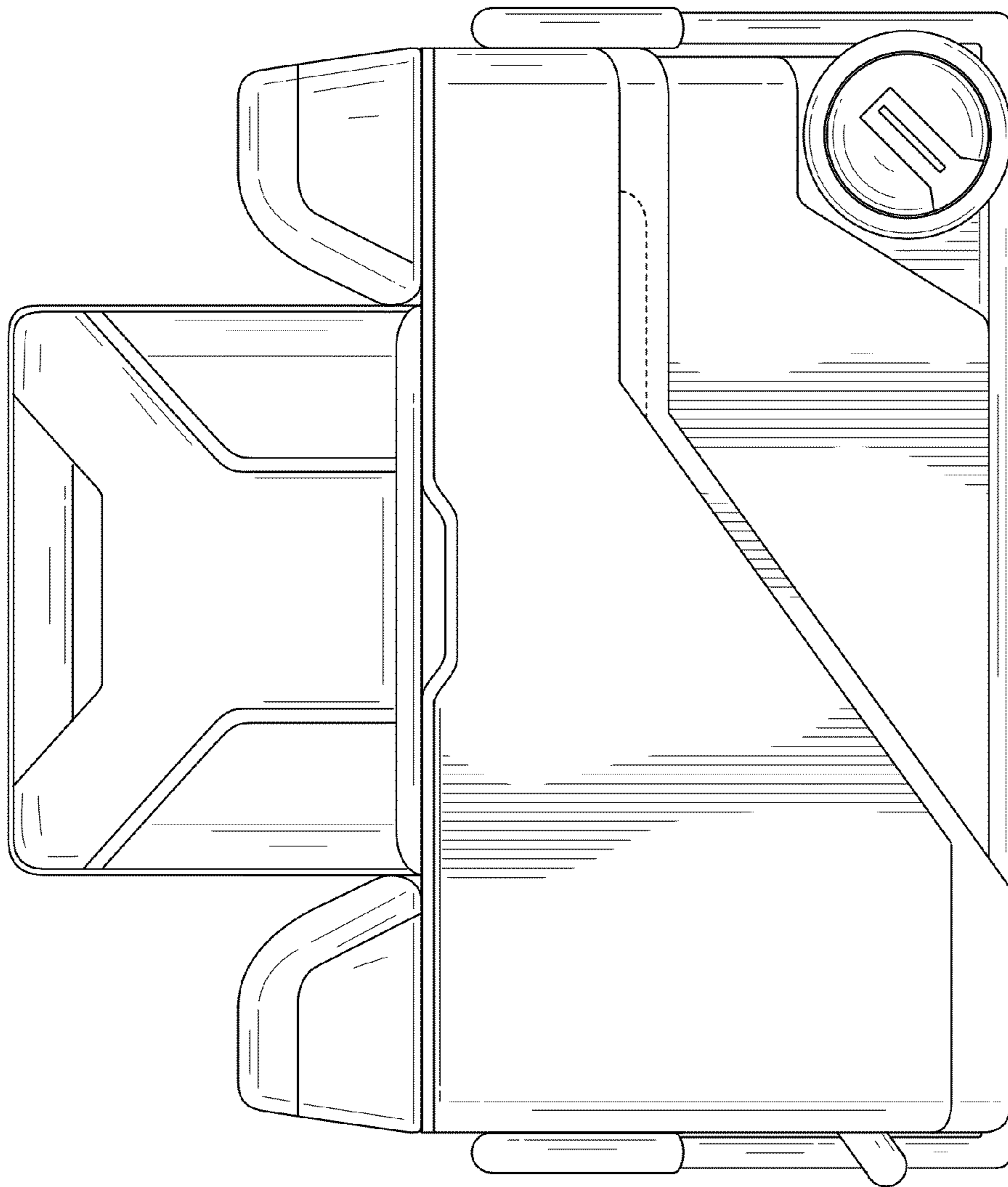


FIG. 3

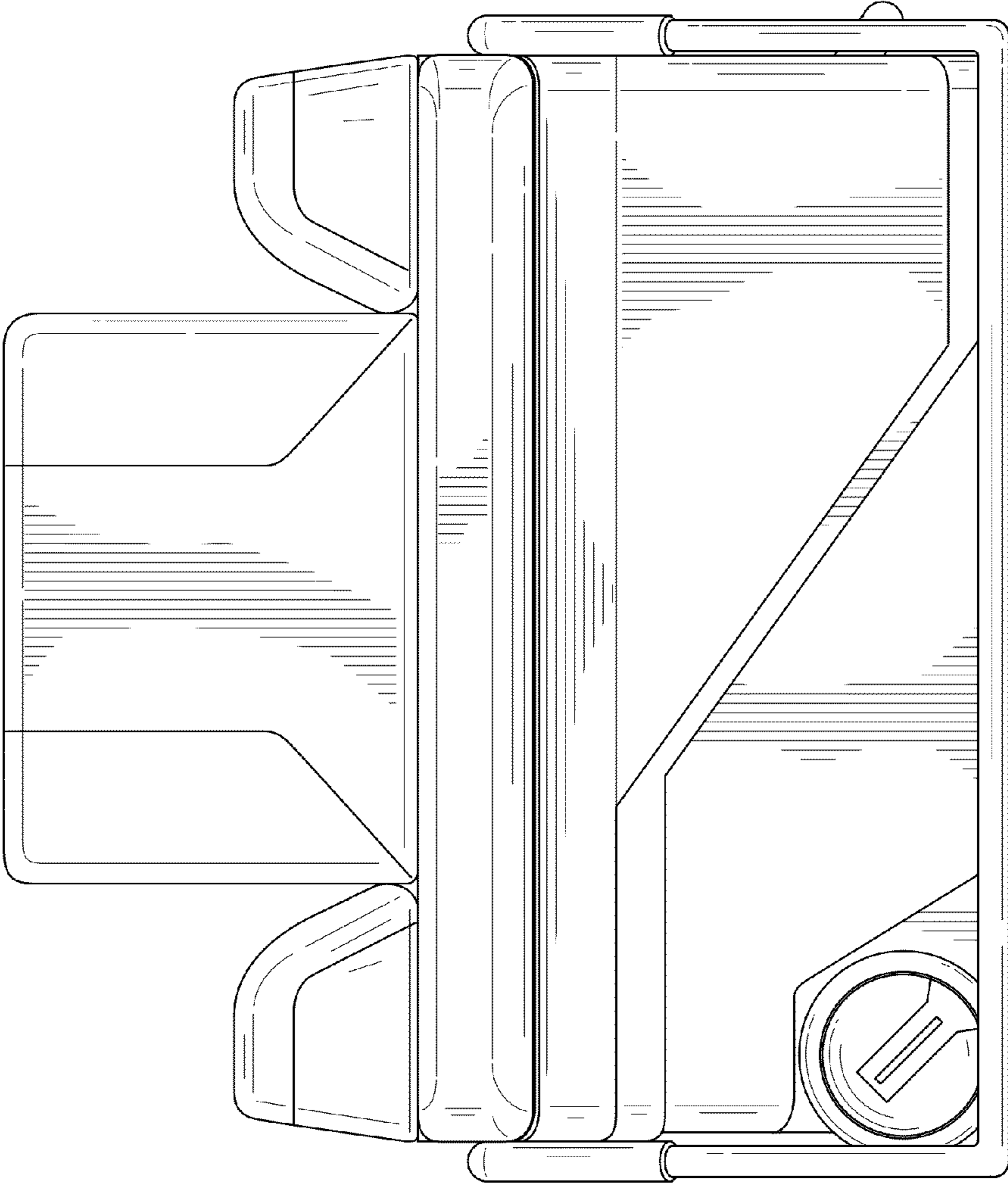


FIG. 4

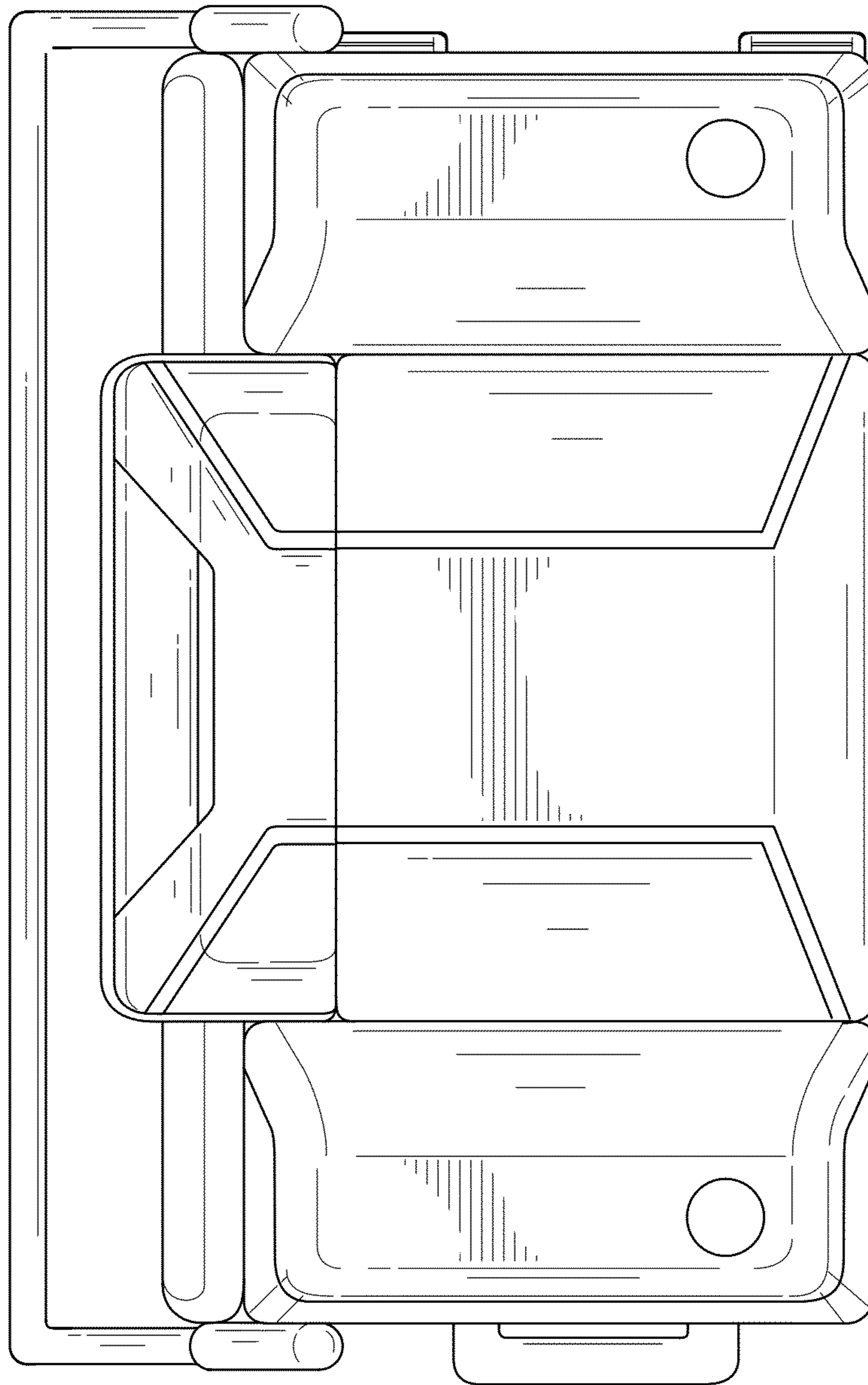


FIG. 5

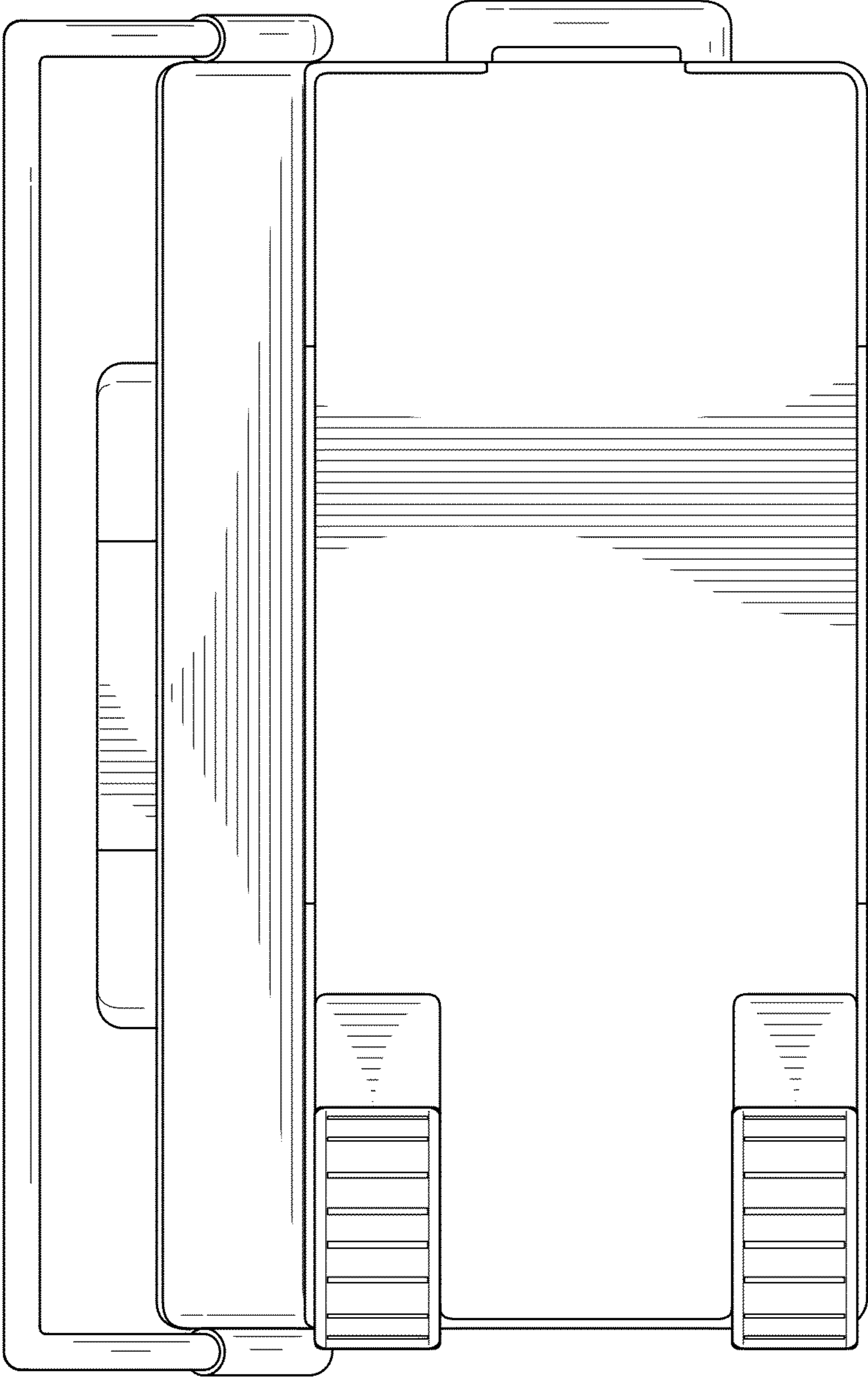


FIG. 6

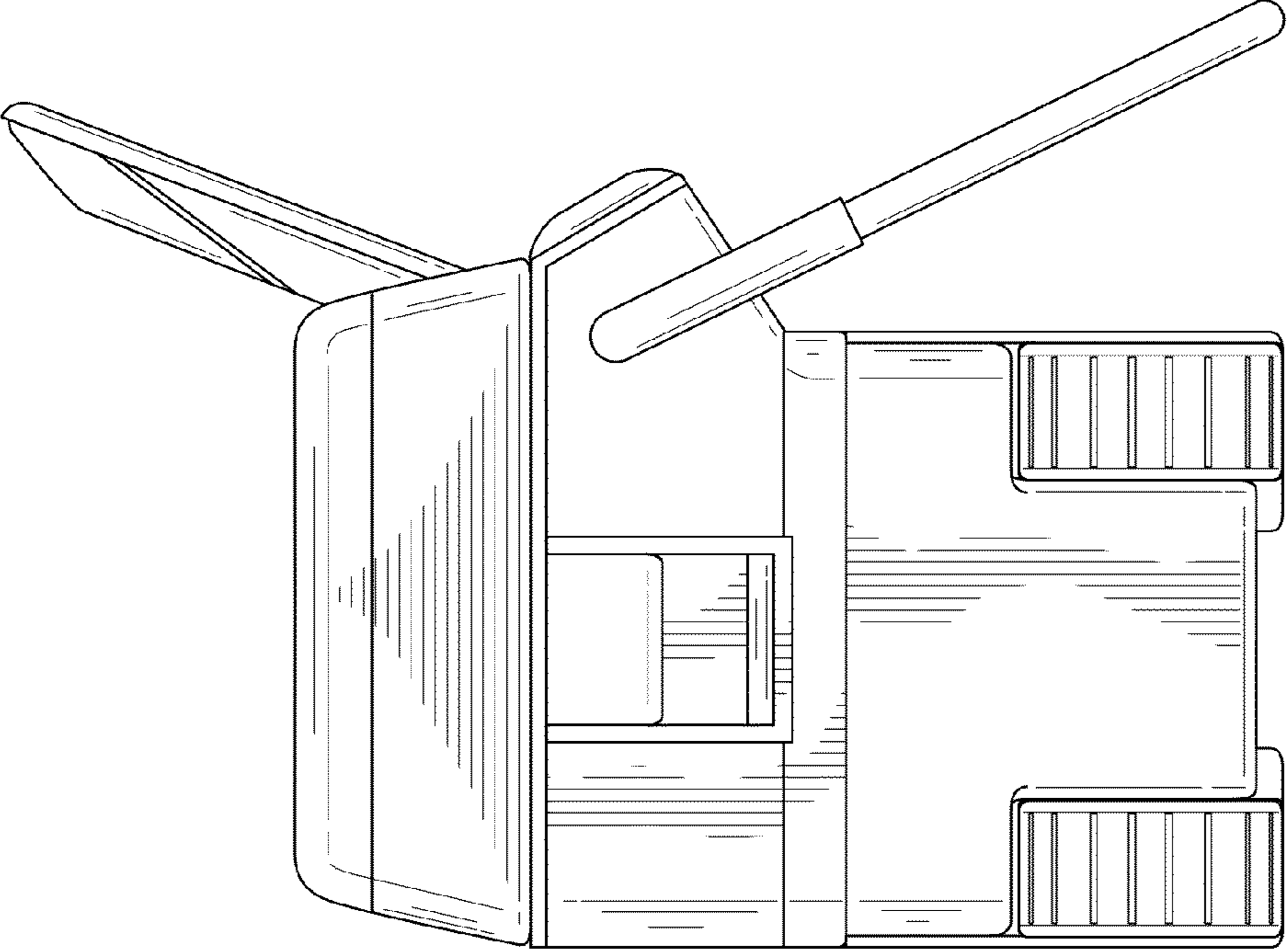


FIG. 8

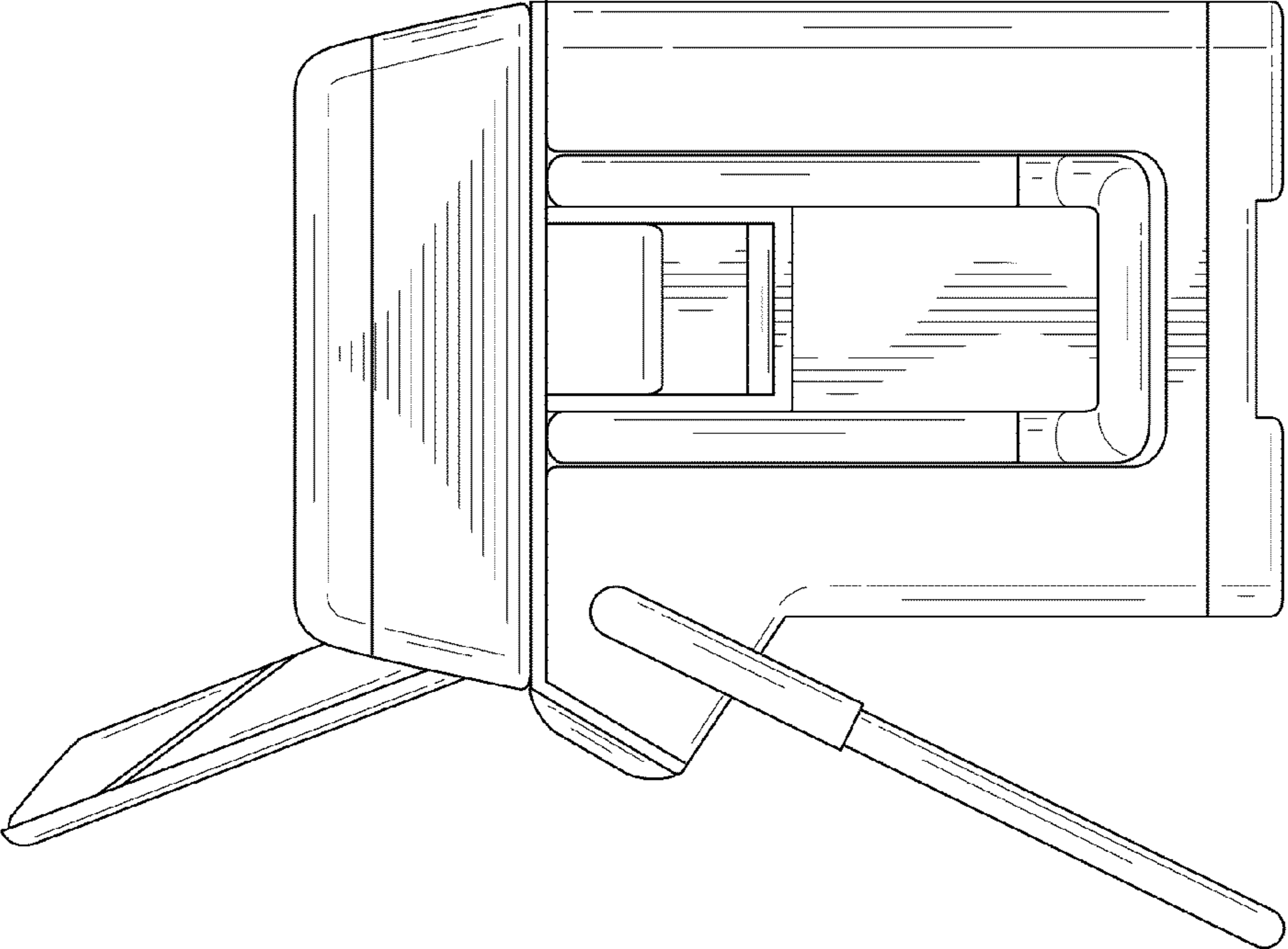


FIG. 7