



US00D745809S

(12) **United States Design Patent**  
**Rowley et al.**

(10) **Patent No.:** **US D745,809 S**  
(45) **Date of Patent:** **\*\* Dec. 22, 2015**

(54) **COOLER**

(71) Applicant: **Constellation Marketing Services, Inc.**,  
Chicago, IL (US)

(72) Inventors: **Stash Rowley**, Rancho Santa Margarita,  
CA (US); **Scott Waters**, Chicago, IL  
(US)

(73) Assignee: **CONSTELLATION MARKETING  
SERVICES, INC.**, Chicago, IL (US)

(\*\*) Term: **14 Years**

(21) Appl. No.: **29/490,803**

(22) Filed: **May 13, 2014**

(51) **LOC (10) Cl.** ..... **07-01**

(52) **U.S. Cl.**

USPC ..... **D7/605**

(58) **Field of Classification Search**

USPC ..... D7/603–607, 629, 630, 602; 220/915.1,  
220/915.2, 592.09, 592.01, 592.12, 592.17,  
220/592.19, 592.16, 592.27;  
62/457.1–457.9, 371, 372, 264  
CPC ..... A45C 11/20; A45C 9/00; F25D 3/08;  
F25D 2400/08; F25D 31/005; B62B 3/003

See application file for complete search history.

(56) **References Cited**

U.S. PATENT DOCUMENTS

D210,795 S \* 4/1968 Di Pierro ..... D7/605  
4,024,731 A \* 5/1977 Branscum ..... 62/457.2  
6,966,450 B2 \* 11/2005 Askew ..... 62/457.7  
D634,982 S \* 3/2011 Melchert et al. .... D7/605  
2006/0279947 A1 \* 12/2006 Henley et al. .... 220/592.02  
2013/0112694 A1 \* 5/2013 Bentley ..... 220/592.2

OTHER PUBLICATIONS

Corona Stainless Steel Igloo Cooler—Dealer Loader, available May  
13, 2013, 1 page.

\* cited by examiner

*Primary Examiner* — Terry Wallace

(74) *Attorney, Agent, or Firm* — Michael Best & Friedrich  
LLP

(57) **CLAIM**

We claim the ornamental design for a cooler, as shown.

**DESCRIPTION**

FIG. 1 is a perspective view of a cooler embodying the inven-  
tion.

FIG. 2 is a left side elevation view of a cooler shown in FIG.  
1.

FIG. 3 is a right side elevation view of a cooler shown in FIG.  
1.

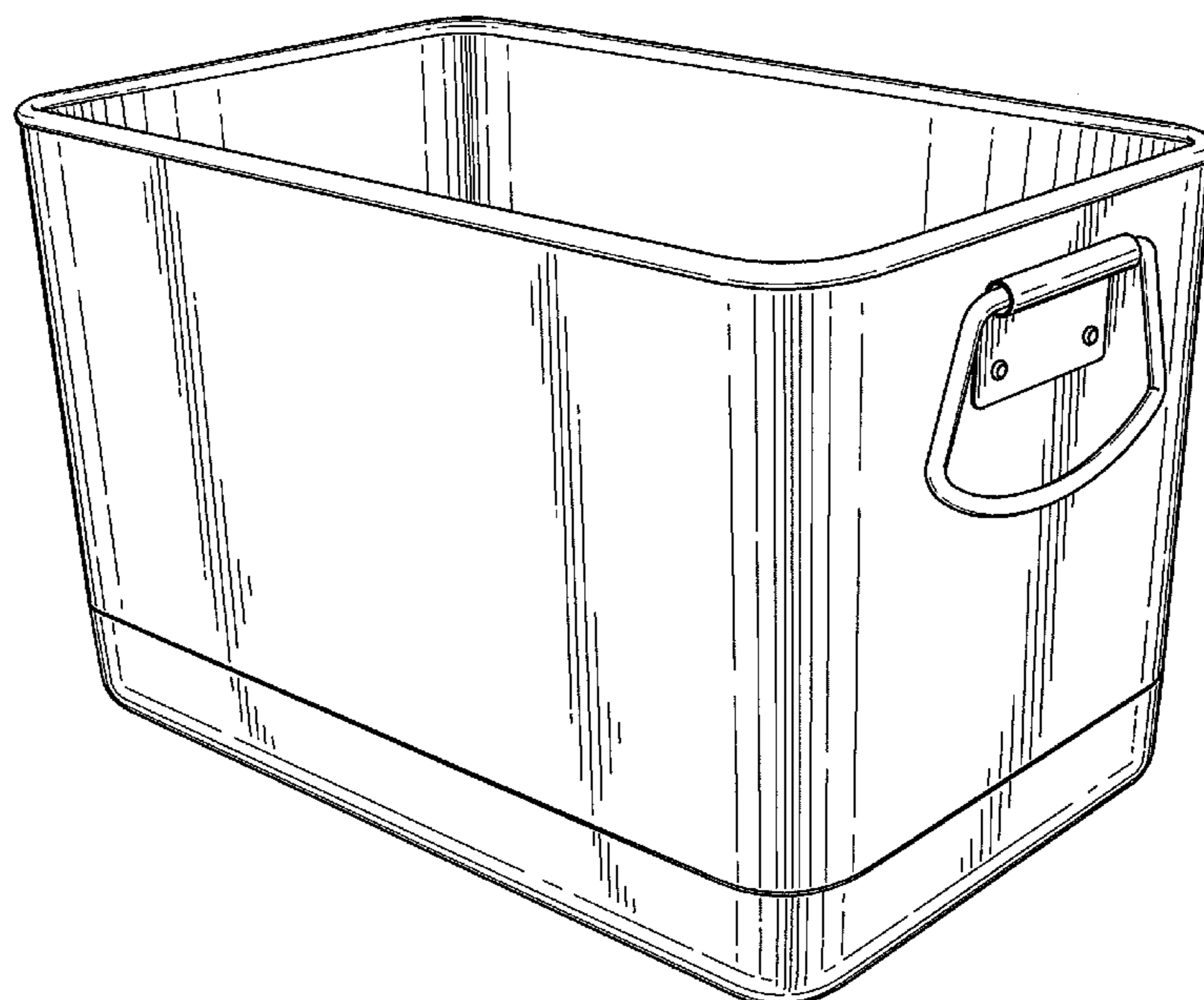
FIG. 4 is a front elevation view of a cooler shown in FIG. 1.

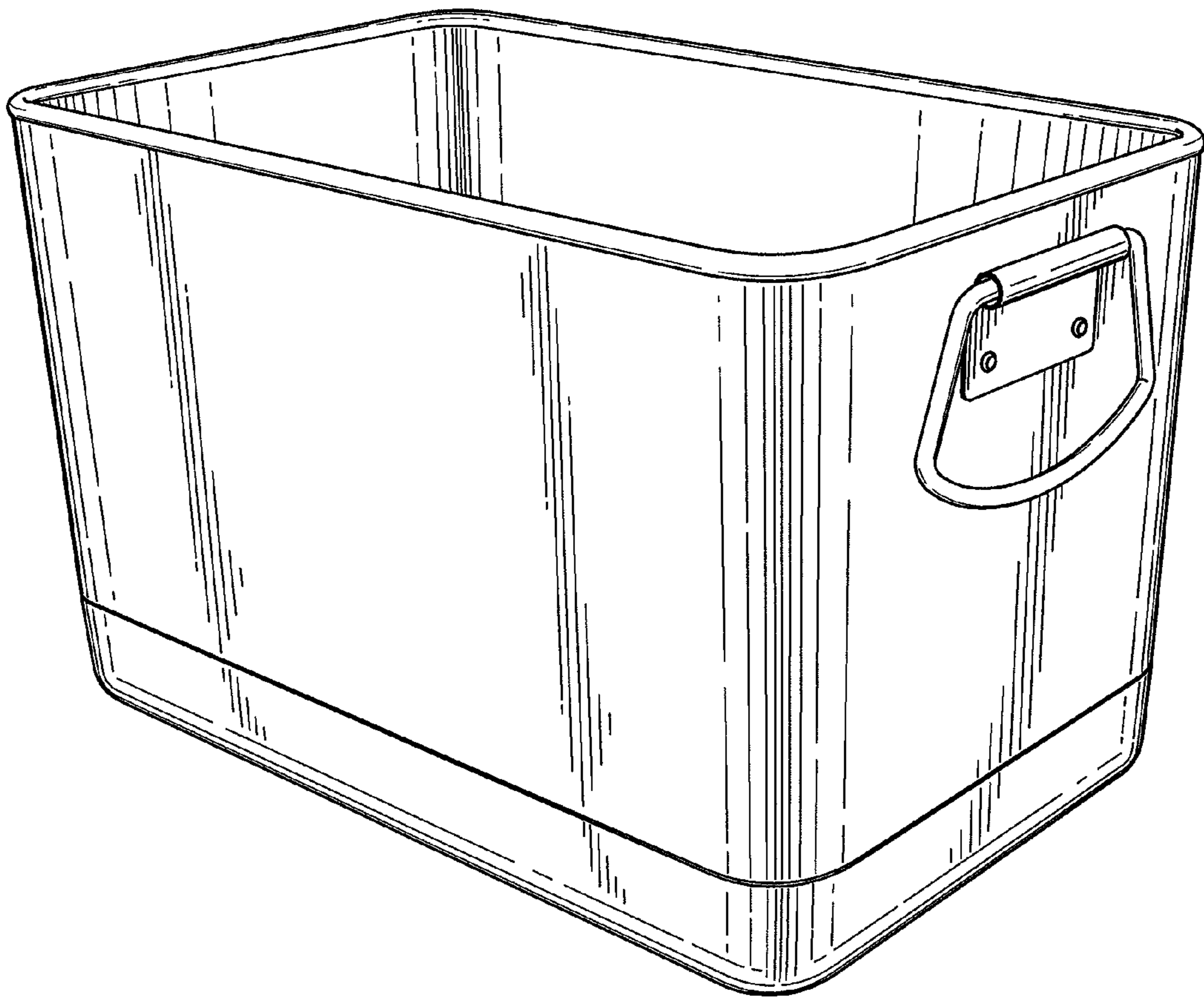
FIG. 5 is a rear elevation view of a cooler shown in FIG. 1.

FIG. 6 is a top plan view of a cooler shown in FIG. 1; and,

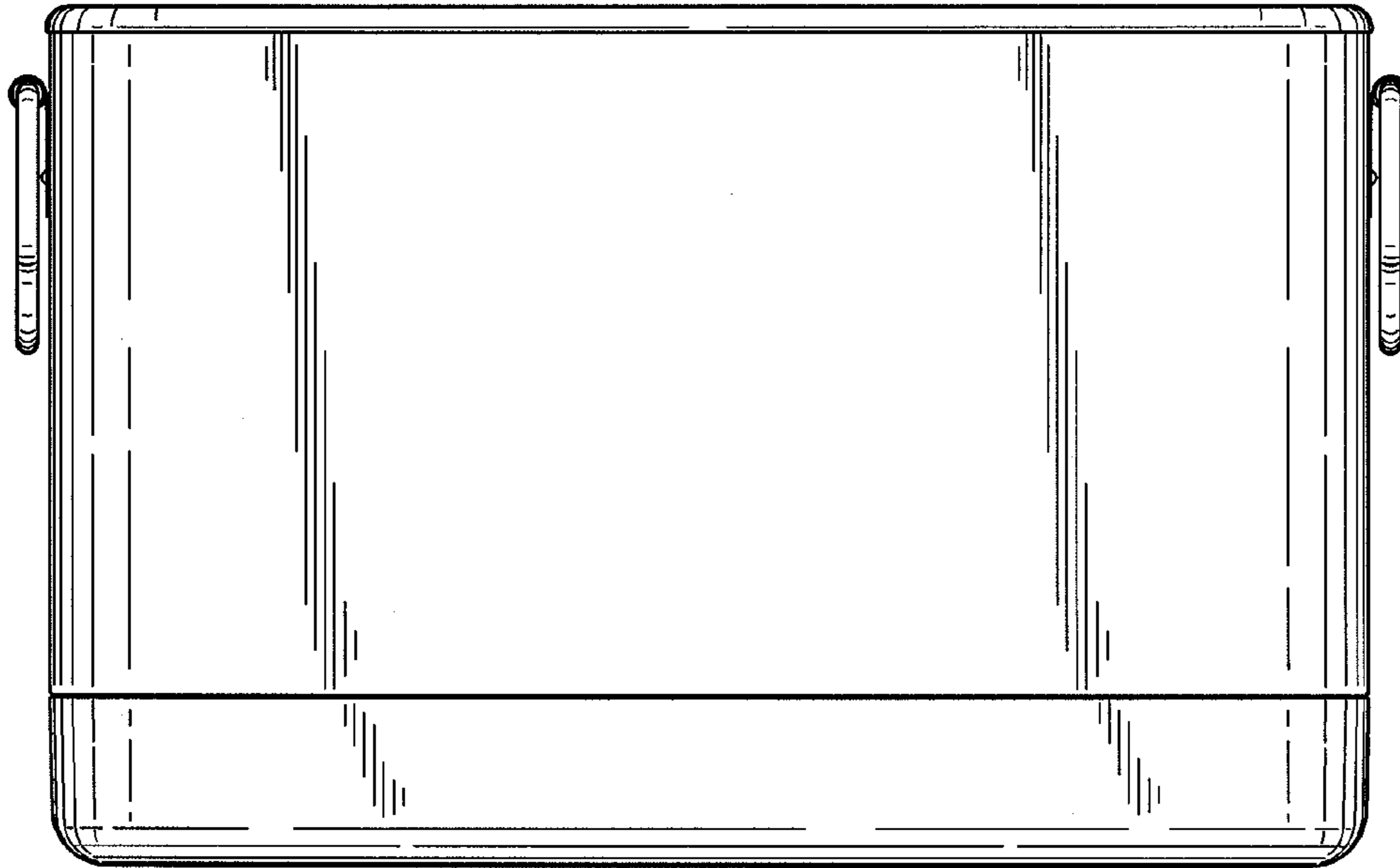
FIG. 7 is a bottom plan view of a cooler shown in FIG. 1.

**1 Claim, 4 Drawing Sheets**

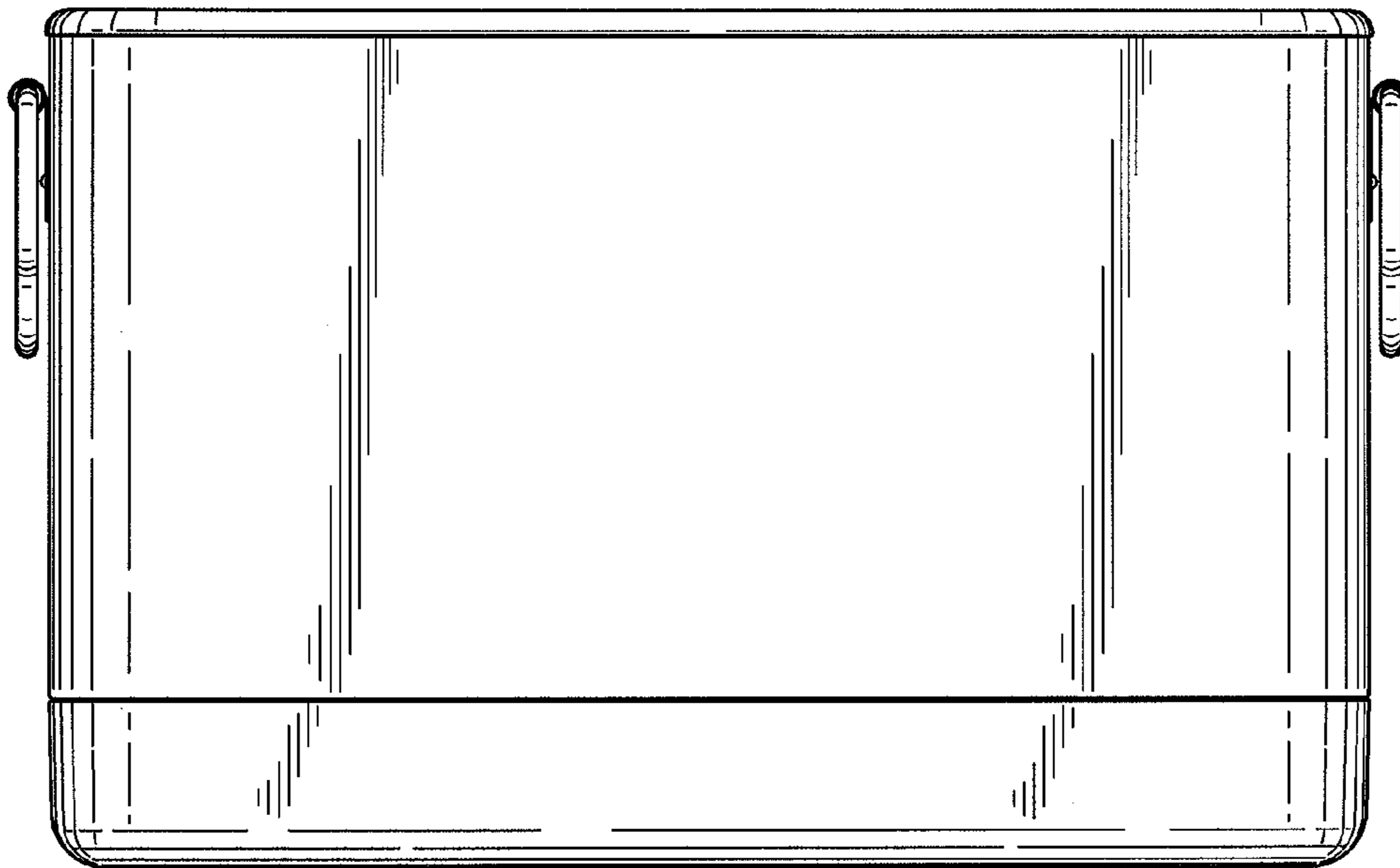




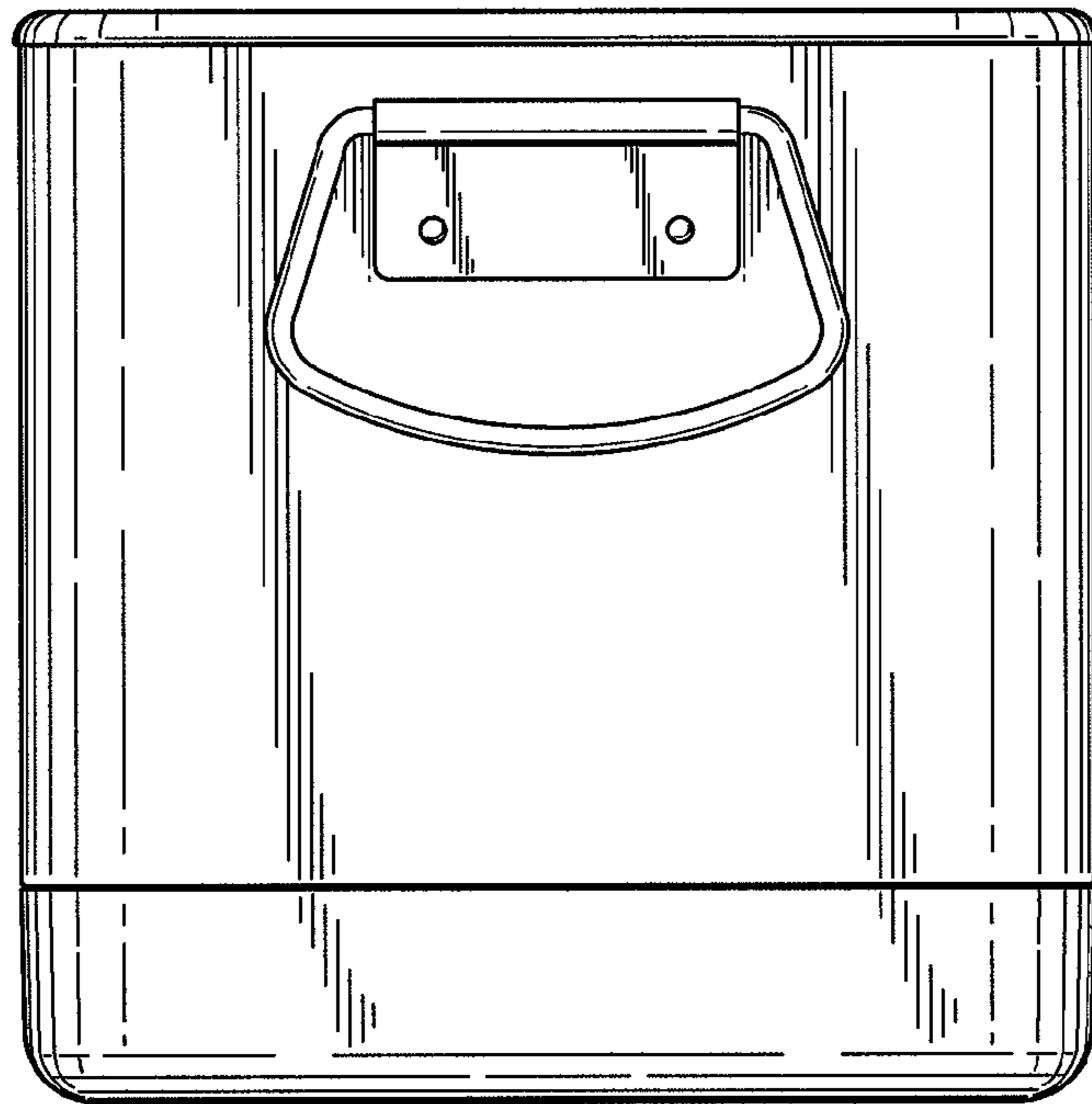
**FIG. 1**



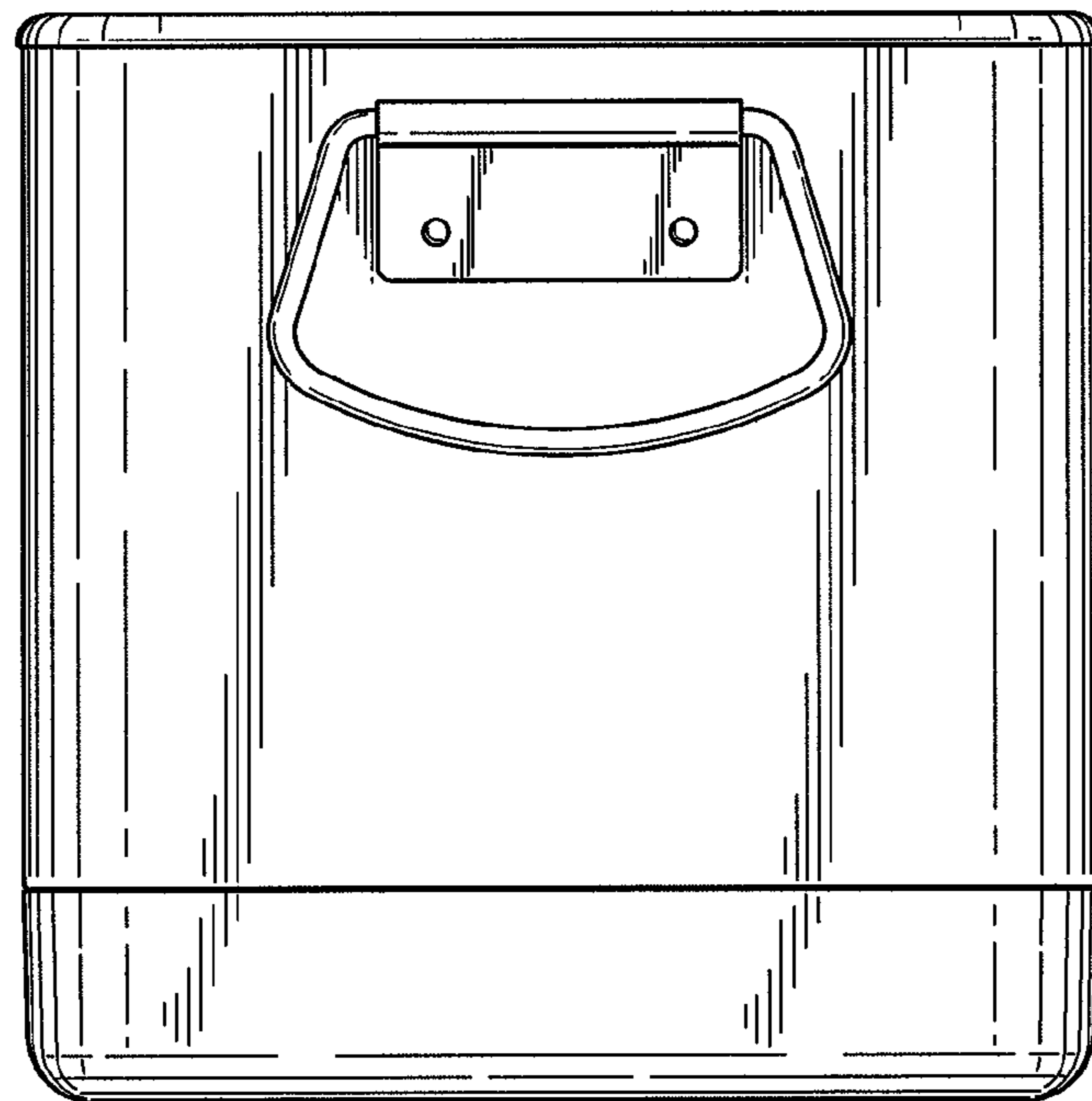
**FIG. 2**



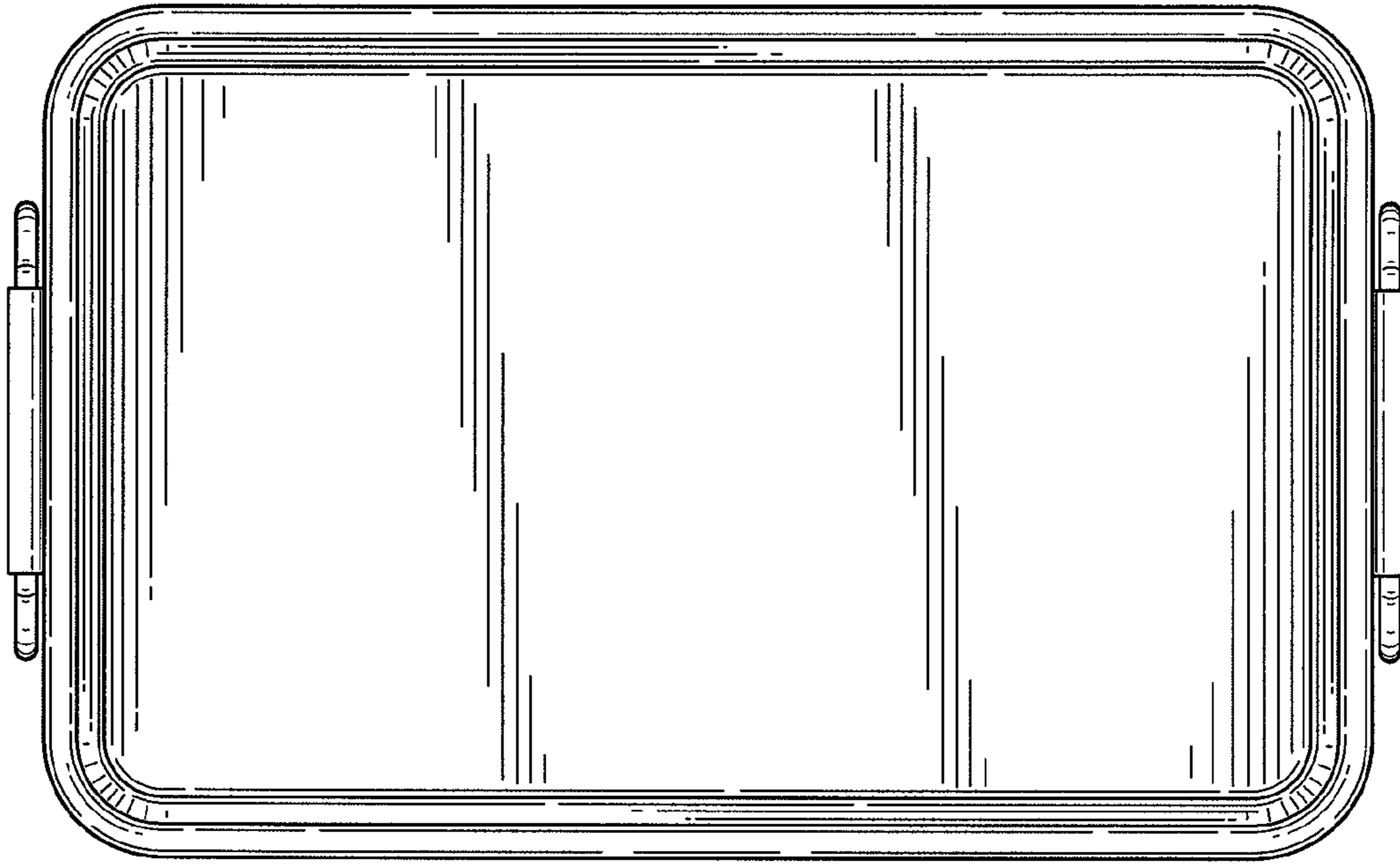
**FIG. 3**



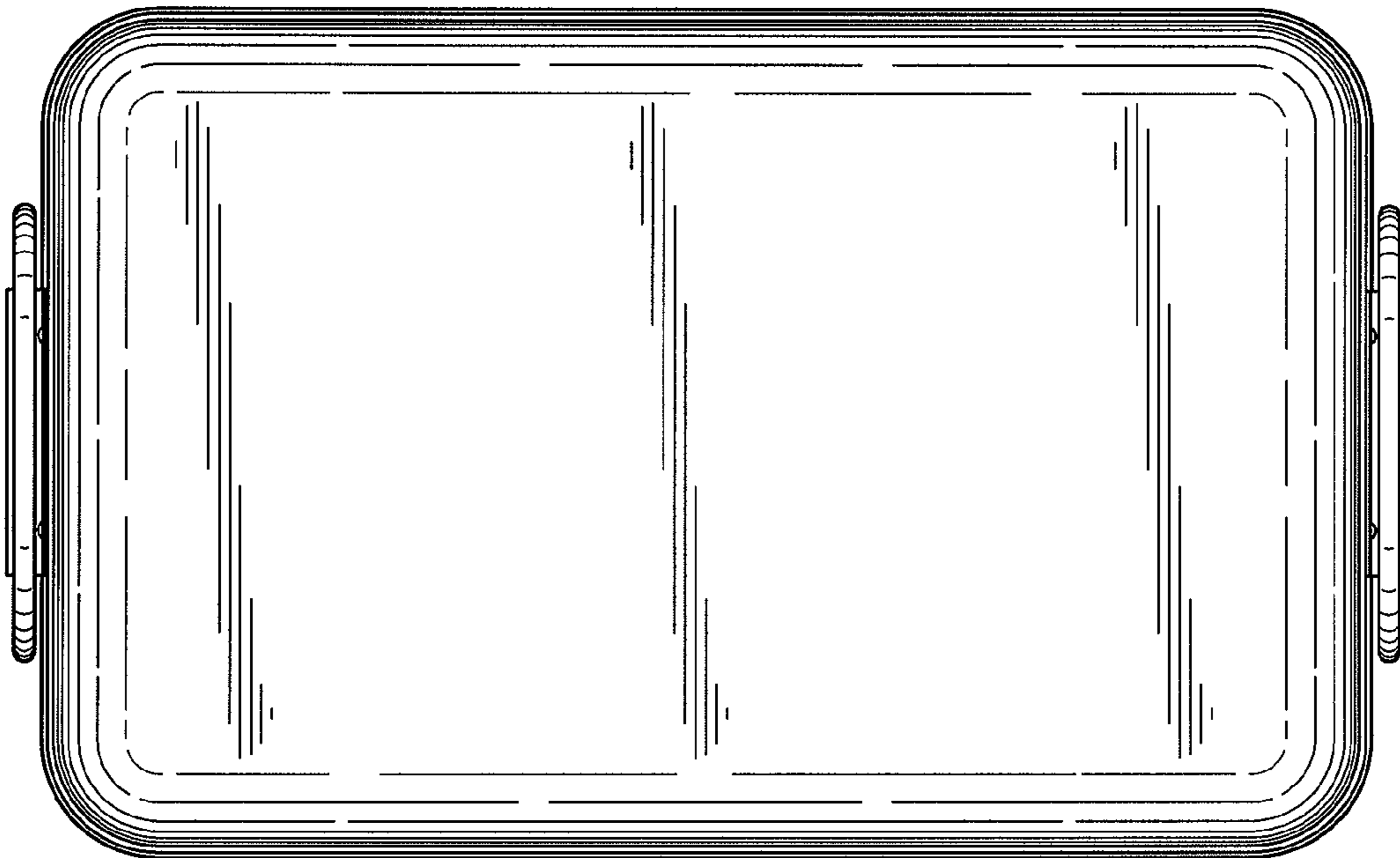
**FIG. 4**



**FIG. 5**



**FIG. 6**



**FIG. 7**