



US00D745804S

(12) **United States Design Patent**
Baacke et al.

(10) **Patent No.:** **US D745,804 S**
(45) **Date of Patent:** **** Dec. 22, 2015**

(54) **ACCESSORY FOR COOKING APPLIANCE**

(71) Applicant: **BSH Bosch und Siemens Hausgeräte GmbH**, Munich (DE)

(72) Inventors: **Sven Baacke**, München (DE);
Hermann-Reinhard Segers, München (DE)

(73) Assignee: **BSH Hausgeraete GmbH**, Munich (DE)

(**) Term: **14 Years**

(21) Appl. No.: **29/471,372**

(22) Filed: **Oct. 31, 2013**

Related U.S. Application Data

(62) Division of application No. 29/414,813, filed on Mar. 5, 2012, now Pat. No. Des. 696,068, which is a division of application No. 29/403,348, filed on Oct. 5, 2011, now Pat. No. Des. 661,546, which is a division of application No. 29/396,028, filed on Jun. 24, 2011, now Pat. No. Des. 651,463, which is a division of application No. 29/376,366, filed on Oct. 6, 2010, now Pat. No. Des. 645,702, which is a division of application No. 29/359,525, filed on Apr. 13, 2010, now Pat. No. Des. 630,472, which is a division of application No. 29/345,167, filed on Oct. 12, 2009, now Pat. No. Des. 620,311, which is a division of application No. 29/285,903, filed on Apr. 16, 2007, now Pat. No. Des. 610,404.

(30) **Foreign Application Priority Data**

Nov. 30, 2006 (EM) 000640362

(51) **LOC (10) Cl.** **07-02**

(52) **U.S. Cl.**
USPC **D7/402; D9/526**

(58) **Field of Classification Search**
USPC D7/402, 404, 316-319, 321-322;
D9/520, 521, 523, 524, 417, 449, 526,

D9/527; D24/223-224; D23/211.1;
D18/43; 222/131, 472, 155; 141/67,
141/382-383; 422/102-104; 215/100 A
CPC .. B67D 3/0003; B67D 3/0022; B67D 3/0025;
A47G 2019/122
See application file for complete search history.

(56) **References Cited**

U.S. PATENT DOCUMENTS

D271,113 S *	10/1983	Birkeland	D18/43
D272,318 S *	1/1984	Visser	D9/520
D296,668 S *	7/1988	Stavish	D24/224
D317,547 S *	6/1991	Gecchelin	D7/317
D325,871 S *	5/1992	Hestehave	D9/524
D335,608 S *	5/1993	Arnold	D7/316
D340,642 S *	10/1993	Detzel	D9/417

(Continued)

Primary Examiner — T. Chase Nelson

Assistant Examiner — Mark Cavanna

(74) *Attorney, Agent, or Firm* — James E. Howard; Andre Pallapies

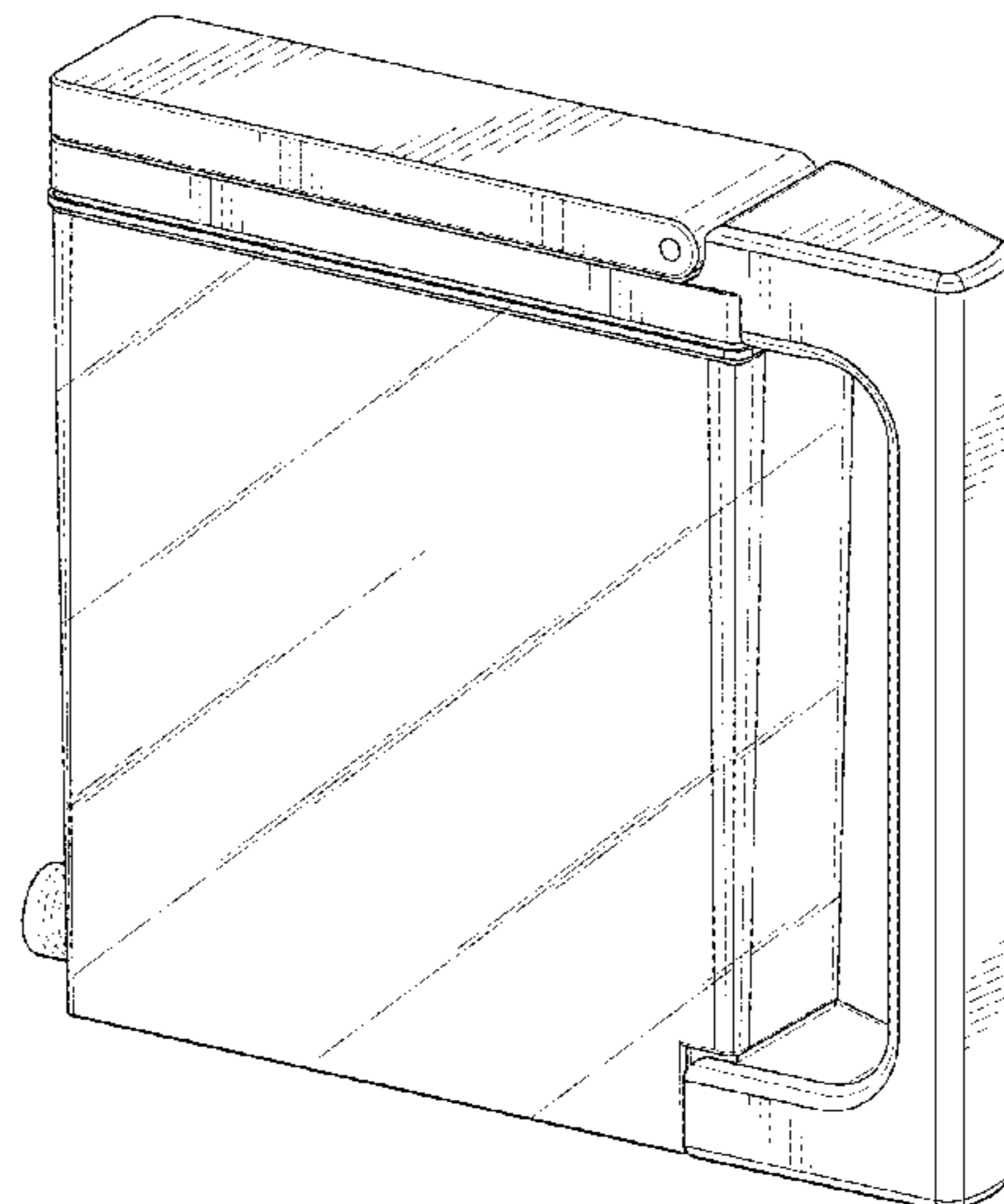
(57) **CLAIM**

The ornamental design for an accessory for cooking appliance, as shown and described.

DESCRIPTION

FIG. 1 is a front perspective view of an accessory for cooking appliance according to our new ornamental design; FIG. 2 is a front view thereof; FIG. 3 is a right side view thereof; FIG. 4 is a rear view thereof; FIG. 5 is a left side view thereof; FIG. 6 is a bottom view thereof; and, FIG. 7 is a top view thereof. The broken lines are included for the purpose of illustrating portions of the accessory for cooking appliance that form no part of the claimed design.

1 Claim, 5 Drawing Sheets



(56)

References Cited

U.S. PATENT DOCUMENTS

D342,140 S * 12/1993 Sakagami D24/224
D358,219 S * 5/1995 Ushikubo D24/224
D358,660 S * 5/1995 Swift D24/224
D380,553 S * 7/1997 Riekkinen D24/224
D386,041 S * 11/1997 Tanner D7/319
D388,655 S * 1/1998 Flom D7/317
D407,826 S * 4/1999 Yamazaki D24/224

D419,027 S * 1/2000 Haslem D7/319
D451,394 S * 12/2001 Studer D9/521
D502,268 S * 2/2005 Sakai D24/223
D528,425 S * 9/2006 Van Dorin D9/524
D569,476 S * 5/2008 Munlin D23/211.1
D586,221 S * 2/2009 Shaikh D9/523
D623,465 S * 9/2010 Sheppard D7/318
D642,282 S * 7/2011 Bargh D24/224
D651,446 S * 1/2012 Sheppard D7/317
D723,373 S * 3/2015 Wahl D9/449

* cited by examiner

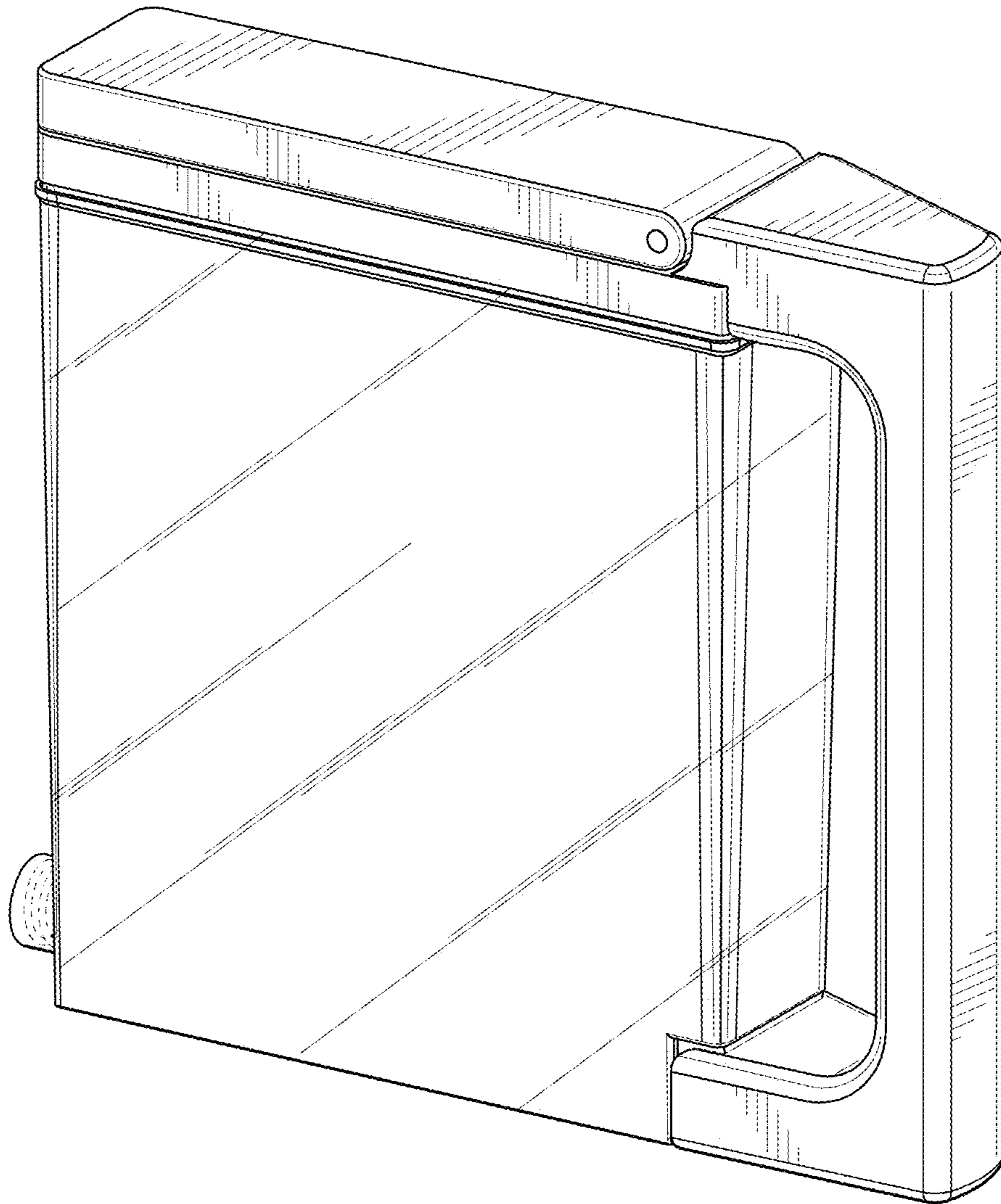


Fig. 1

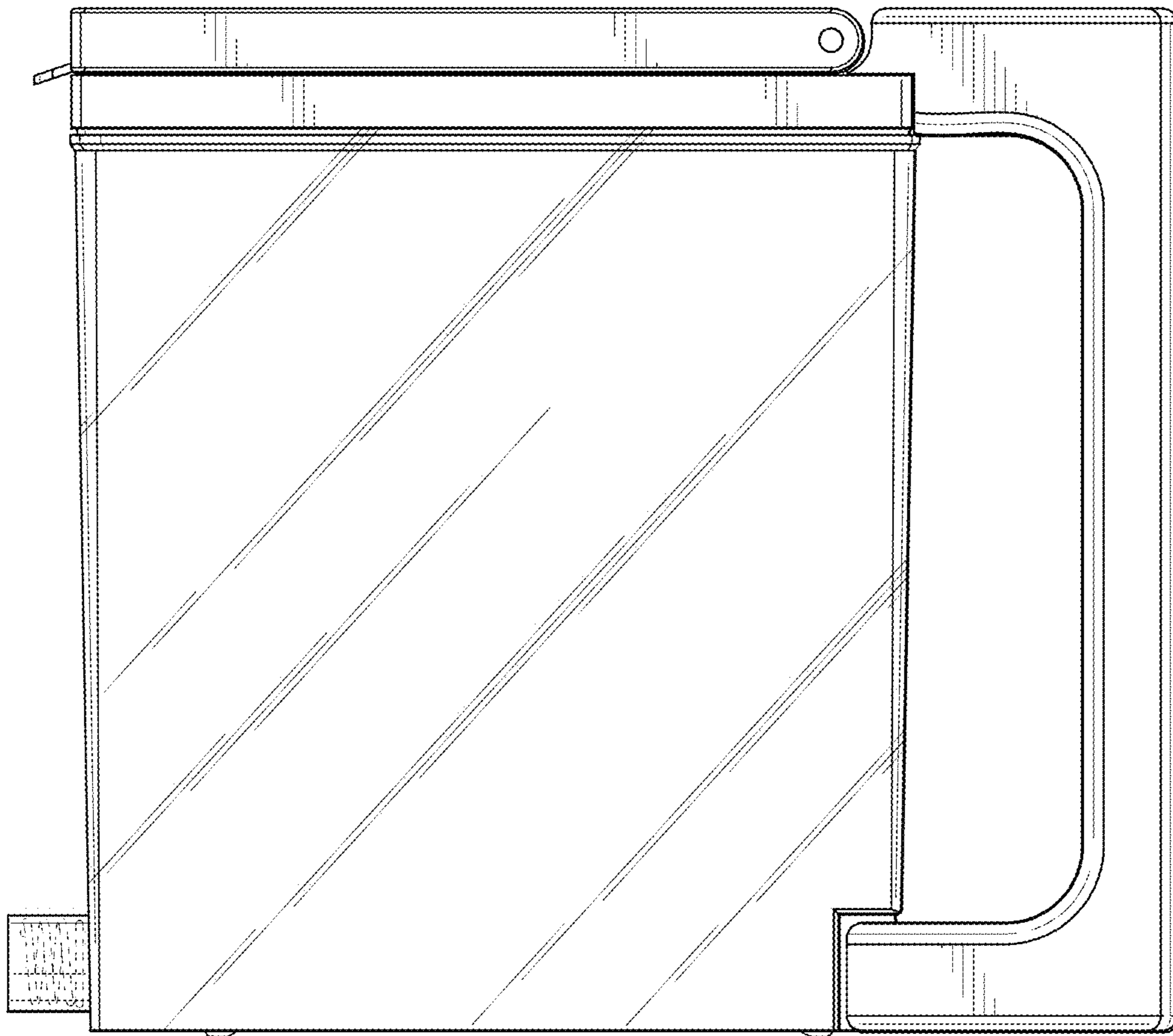


Fig. 2

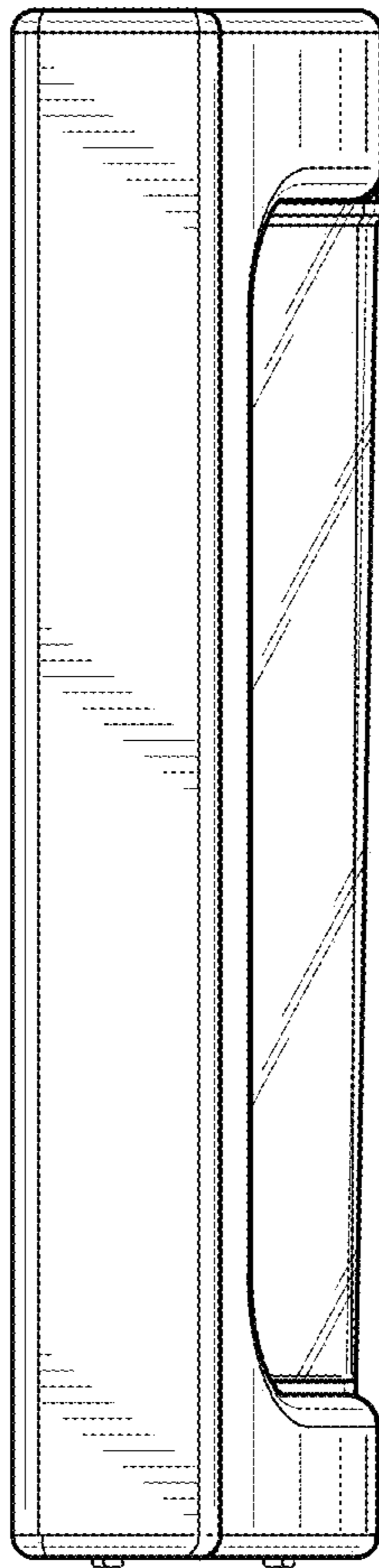


Fig. 3

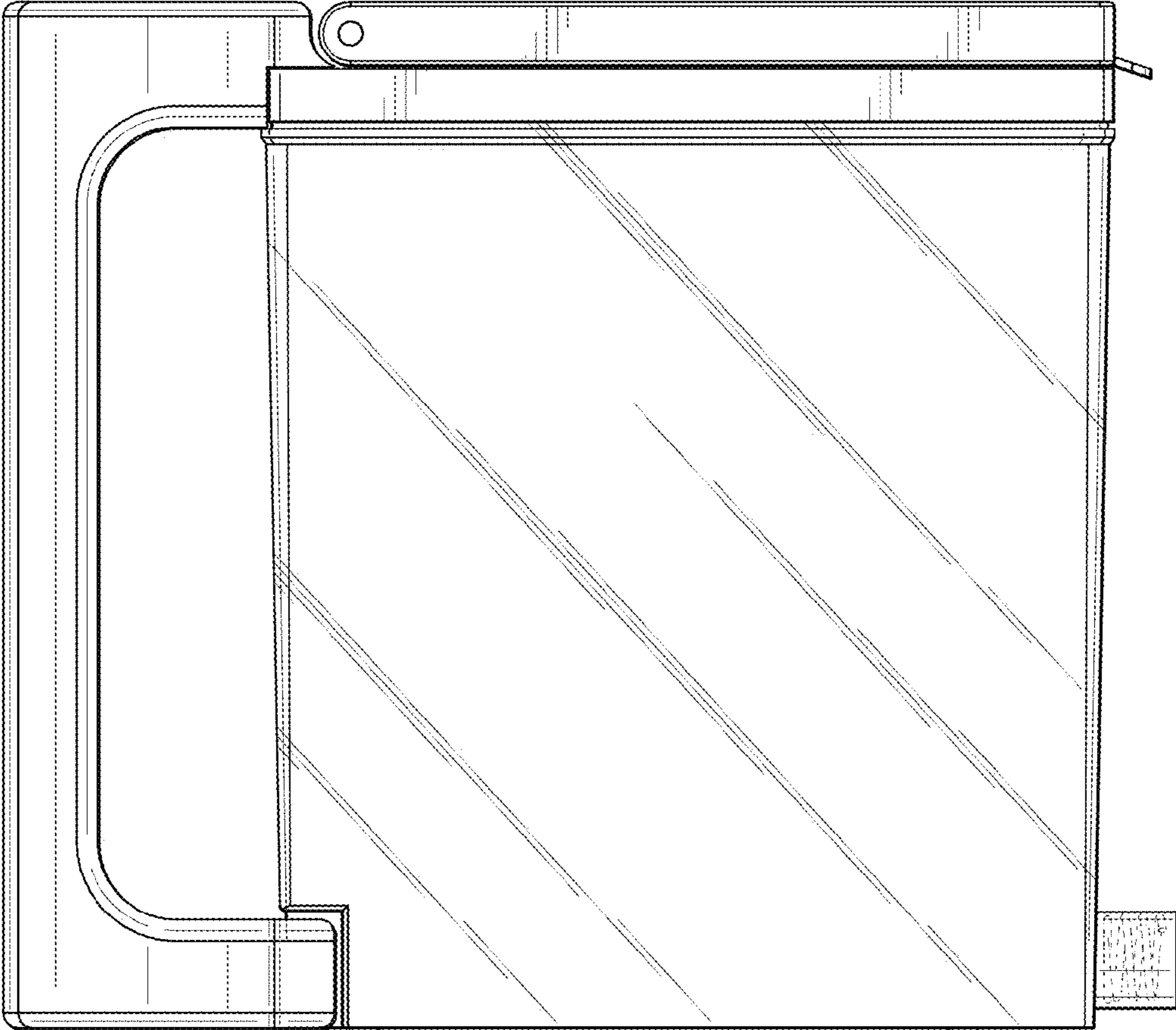


Fig. 4

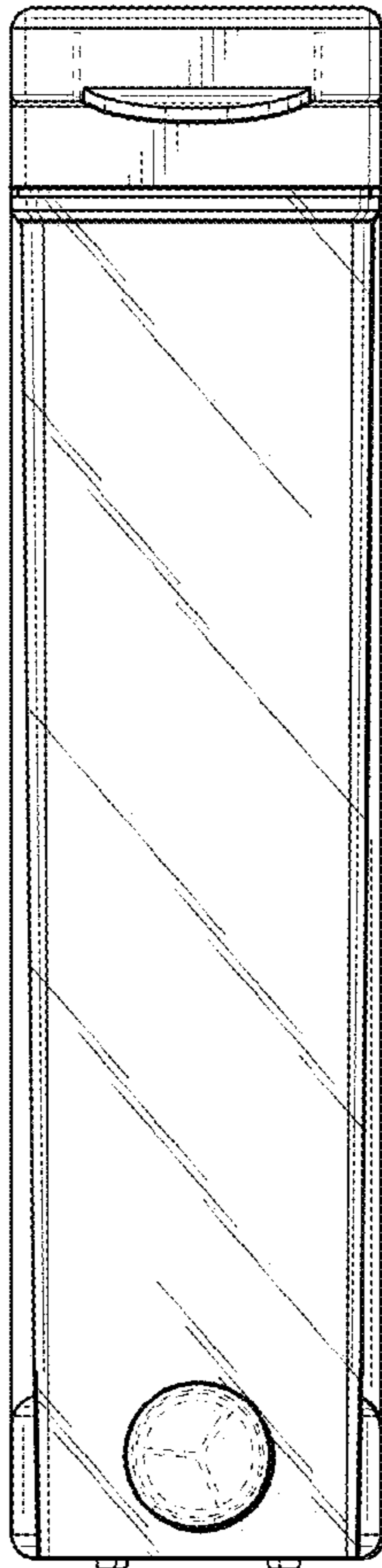


Fig. 5

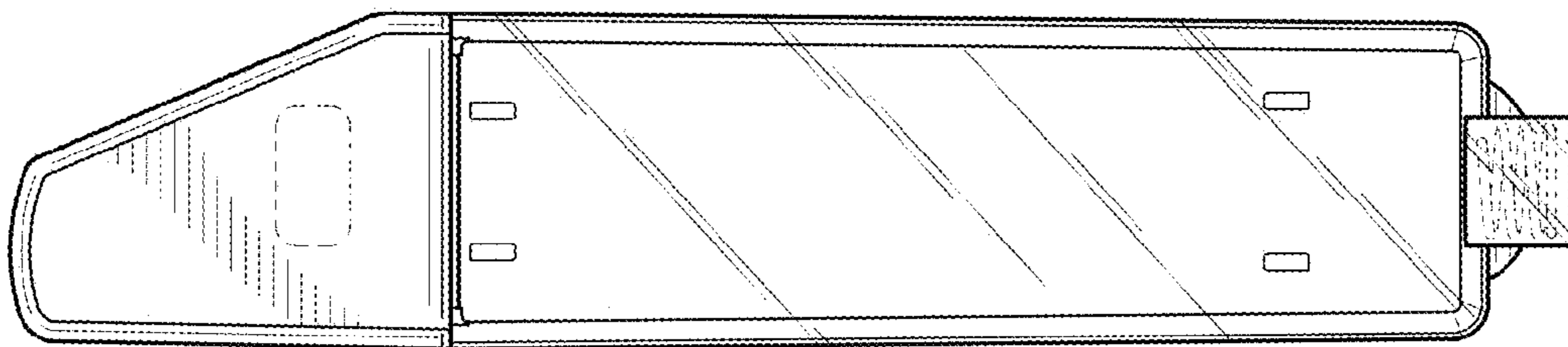


Fig. 6

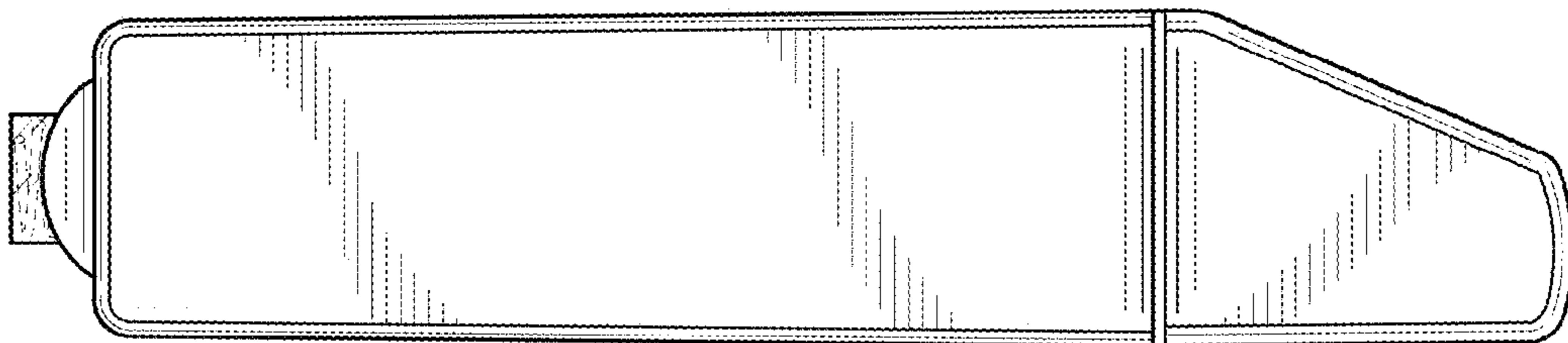


Fig. 7