



US00D745801S

(12) **United States Design Patent**
Povey

(10) **Patent No.:** **US D745,801 S**
(45) **Date of Patent:** **** Dec. 22, 2015**

(54) **COOKING ARTICLE**

(71) Applicant: **Isis Innovation Limited**, Oxford (GB)

(72) Inventor: **Thomas Povey**, Oxford (GB)

(73) Assignee: **Isis Innovation Limited**, Oxford,
Oxfordshire (GB)

(**) Term: **14 Years**

(21) Appl. No.: **29/489,146**

(22) Filed: **Apr. 28, 2014**

(30) **Foreign Application Priority Data**

Oct. 28, 2013	(EP)	002334557-001
Oct. 28, 2013	(EP)	002334557-002
Oct. 28, 2013	(EP)	002334557-003
Oct. 28, 2013	(EP)	002334557-004
Oct. 28, 2013	(EP)	002334557-005
Oct. 28, 2013	(EP)	002334557-006

(51) **LOC (10) Cl.** **07-02**

(52) **U.S. Cl.**
USPC **D7/359; D7/354**

(58) **Field of Classification Search**
USPC D7/323, 354-363, 391, 393-396, 396.1,
D7/409, 565, 585-586; D9/424-429
CPC A47G 19/03; A47G 19/12; A47J 27/00;
A47J 27/002; A47J 27/08; A47J 27/21;
A47J 27/58; A47J 36/025; A47J 36/06;
A47J 36/12; A47J 37/00; A47J 37/10; A47J
37/101; A47J 37/103; A47J 37/12; A47J
37/1204; A47J 45/061; A47J 45/071; A47J
45/08; H05B 6/12

See application file for complete search history.

(56) **References Cited**

U.S. PATENT DOCUMENTS

233,189 A	10/1880	Barrows	
D58,201 S *	6/1921	Sailer	D7/585
2,014,931 A	9/1935	Genovar	

2,172,952 A	9/1939	Benesh	
D204,212 S *	3/1966	Davis	D7/531
D280,182 S *	8/1985	Tyler	D9/425
D280,490 S *	9/1985	Tyler	D9/425
D336,041 S	6/1993	Zama	
5,564,589 A	10/1996	Fu et al.	
D457,099 S *	5/2002	Lai	D11/152
D544,298 S *	6/2007	Eide	D7/396.1
D551,909 S *	10/2007	Eide	D7/560
D587,995 S *	3/2009	Studee	D9/424
D628,883 S *	12/2010	Stephens	D9/429
D637,481 S *	5/2011	Sellari	D9/424
D684,460 S *	6/2013	Hodge	D9/429
D689,335 S *	9/2013	Ludeman	D7/586
2003/0084669 A1	5/2003	Luo	
2003/0121421 A1	7/2003	Wey	
2003/0136270 A1	7/2003	Joshi et al.	
2007/0193575 A1	8/2007	Jan	
2009/0218359 A1	9/2009	Repetti, III	
2010/0084412 A1	4/2010	Huang	
2012/0318810 A1 *	12/2012	Hodge	A47G 19/03 220/671

FOREIGN PATENT DOCUMENTS

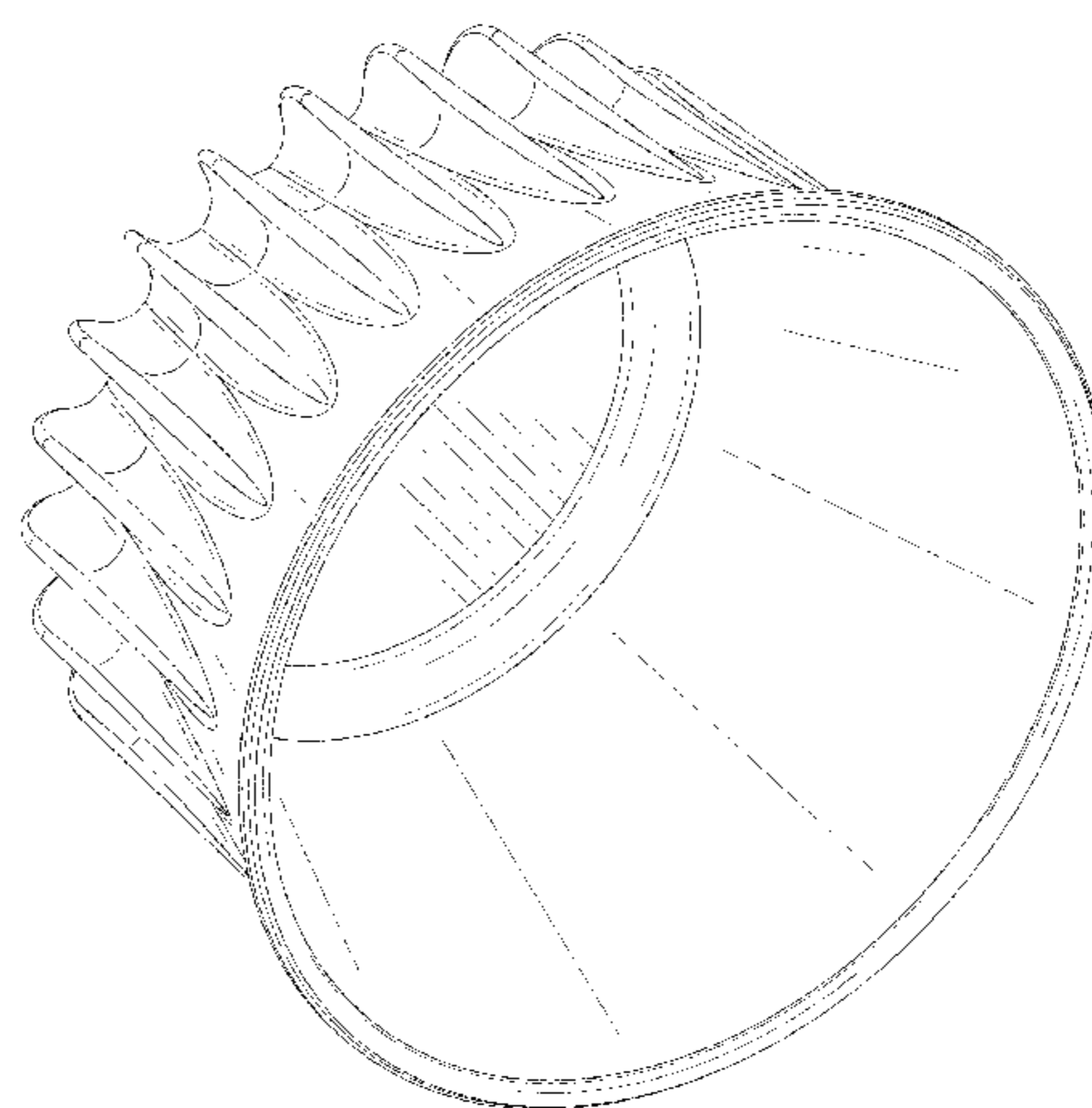
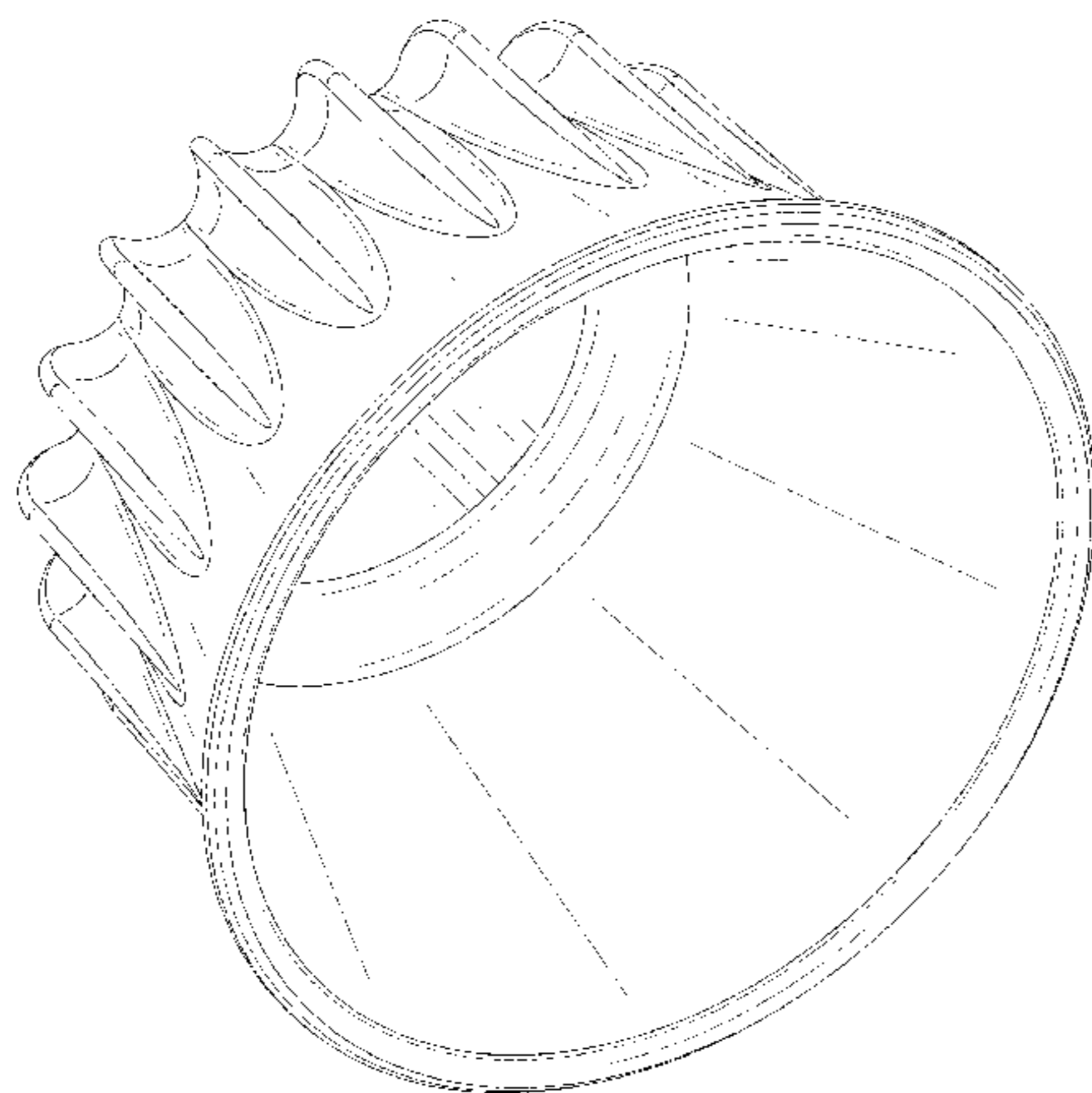
CH	220992 A	12/1942
CH	678263 A5	8/1991
CN	201328674 Y	10/2009
CN	202069434 U	12/2011
FR	2493125 A1	5/1982
IN	221872 B	9/2008
JP	2002219056 A	8/2002
JP	2006311909 A	11/2006
JP	2008302192 A	12/2008
KR	20070019526 A	2/2007
WO	2014009701 A2	1/2014

OTHER PUBLICATIONS

Author Unknown, "4—Vintage Copper Aluminum Mini Jello Molds Fruit Tart Tins Pans," eBay Listing, <http://www.ebay.com/itm/4-Vintage-Copper-Aluminum-Mini-Individual-Jello-MOLDS-FRUIT-TART-TINS-PANS-/14141252663695>, Retrieved on Apr. 28, 2014, eBay Inc., 2 pages.

Author Unknown, "Jell-O Molds Set of Three Vintage Minis," eBay Listing, <http://www.ebay.com/itm/Jell-O-Molds-Set-Of-Three-Vintage-Minis-/161285120415>, Retrieved on Apr. 28, 2014, eBay Inc., 2 pages.

Author Unknown, "Set of 9 Vintage Mini Jello Jelly Aspic Molds Fruit Tins Copper Aluminum," eBay Listing, <http://www.ebay.com/itm/Set-of-9-Vintage-Mini-Jello-Jelly-Aspic-Molds-Fruit-Tins-Copper-Aluminum/191147406675?>, Retrieved on Apr. 28, 2014, eBay Inc., 2 pages.



International Search Report and Written Opinion for International Patent Application No. PCT/GB2013/051786, mailed May 2, 2014, 10 pages.

* cited by examiner

Primary Examiner — Ricky Pham

(74) *Attorney, Agent, or Firm* — Withrow & Terranova, P.L.L.C.; Vincent K. Gustafson

(57) **CLAIM**

The ornamental design for a cooking article, as shown and described.

DESCRIPTION

FIG. 1 is an upper perspective view of a cooking article as implemented in a cooking pan according to a first embodiment showing my new design;

FIG. 2 is a lower perspective view of the cooking article of FIG. 1;

FIG. 3 is a top plan view of the cooking article of FIGS. 1-2;

FIG. 4 is a bottom plan view of the cooking article of FIGS. 1-3;

FIG. 5 is a left side elevation view of the cooking article of FIGS. 1-4;

FIG. 6 is a right side elevation view of the cooking article of FIGS. 1-5;

FIG. 7 is a front elevation view of the cooking article of FIGS. 1-6;

FIG. 8 is a rear elevation view of the cooking article of FIGS. 1-7;

FIG. 9 is an upper perspective view of a cooking article as implemented in a cooking pan according to a second embodiment showing my new design;

FIG. 10 is a lower perspective view of the cooking article of FIG. 9;

FIG. 11 is a top plan view of the cooking article of FIGS. 9-10;

FIG. 12 is a bottom plan view of the cooking article of FIGS. 9-11;

FIG. 13 is a left side elevation view of the cooking article of FIGS. 9-12;

FIG. 14 is a right side elevation view of the cooking article of FIGS. 9-13;

FIG. 15 is a front elevation view of the cooking article of FIGS. 9-14;

FIG. 16 is a rear elevation view of the cooking article of FIGS. 9-15;

FIG. 17 is an upper perspective view of a cooking article as implemented in a cooking pan according to a third embodiment showing my new design;

FIG. 18 is a lower perspective view of the cooking article of FIG. 17;

FIG. 19 is a top plan view of the cooking article of FIGS. 17-18;

FIG. 20 is a bottom plan view of the cooking article of FIGS. 17-19;

FIG. 21 is a left side elevation view of the cooking article of FIGS. 17-20;

FIG. 22 is a right side elevation view of the cooking article of FIGS. 17-21;

FIG. 23 is a front elevation view of the cooking article of FIGS. 17-22;

FIG. 24 is a rear elevation view of the cooking article of FIGS. 17-23;

FIG. 25 is an upper perspective view of a cooking article as implemented in a cooking pan according to a fourth embodiment showing my new design;

FIG. 26 is a lower perspective view of the cooking article of FIG. 25;

FIG. 27 is a top plan view of the cooking article of FIGS. 25-26;

FIG. 28 is a bottom plan view of the cooking article of FIGS. 25-27;

FIG. 29 is a left side elevation view of the cooking article of FIGS. 25-28;

FIG. 30 is a right side elevation view of the cooking article of FIGS. 25-29;

FIG. 31 is a front elevation view of the cooking article of FIGS. 25-30;

FIG. 32 is a rear elevation view of the cooking article of FIGS. 25-31;

FIG. 33 is an upper perspective view of a cooking article as implemented in a cooking pan according to a fifth embodiment showing my new design;

FIG. 34 is a lower perspective view of the cooking article of FIG. 33;

FIG. 35 is a top plan view of the cooking article of FIGS. 33-34;

FIG. 36 is a bottom plan view of the cooking article of FIGS. 33-35;

FIG. 37 is a left side elevation view of the cooking article of FIGS. 33-36;

FIG. 38 is a right side elevation view of the cooking article of FIGS. 33-37;

FIG. 39 is a front elevation view of the cooking article of FIGS. 33-38; and,

FIG. 40 is a rear elevation view of the cooking article of FIGS. 33-39.

1 Claim, 36 Drawing Sheets

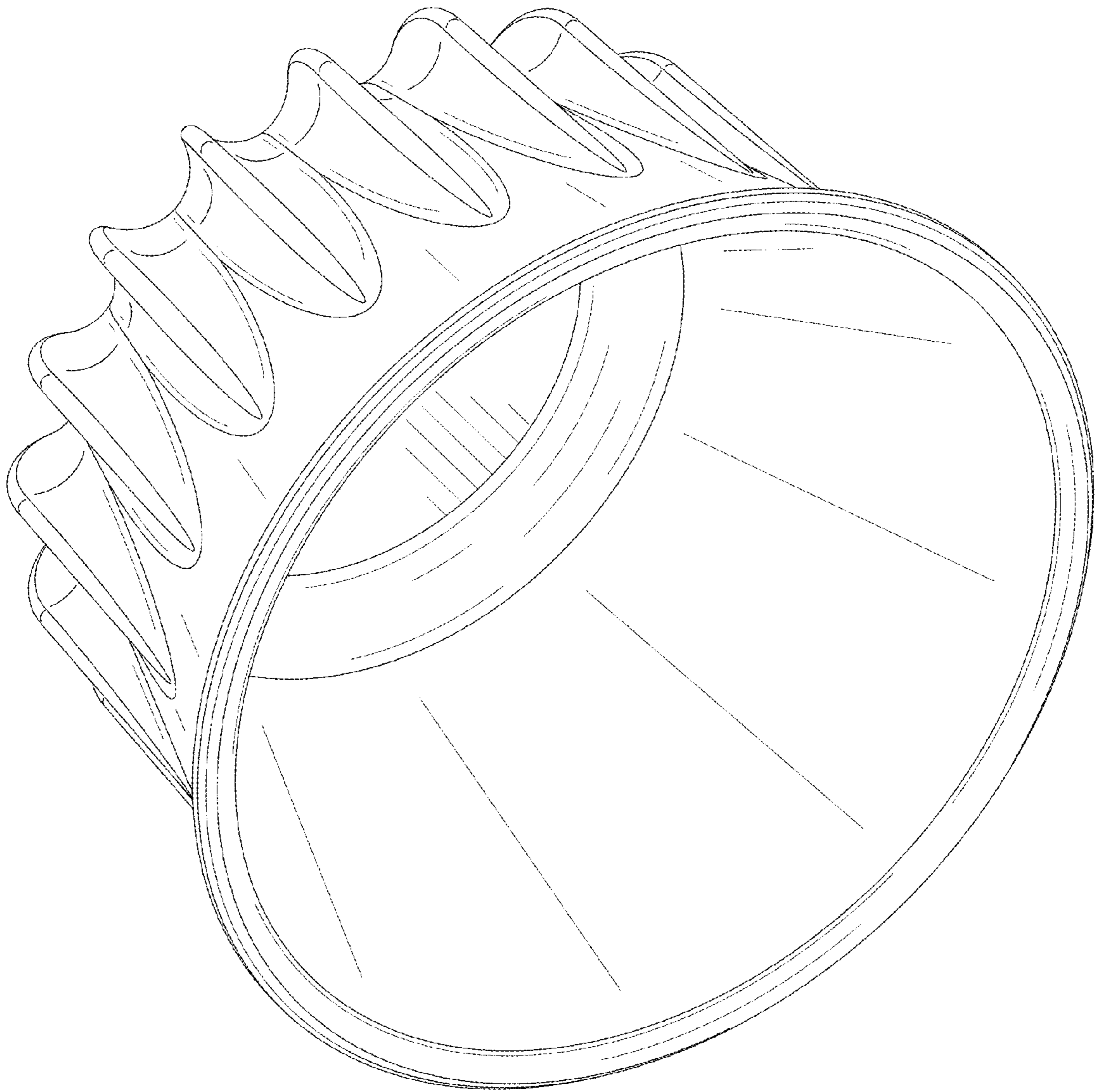


FIG. 1

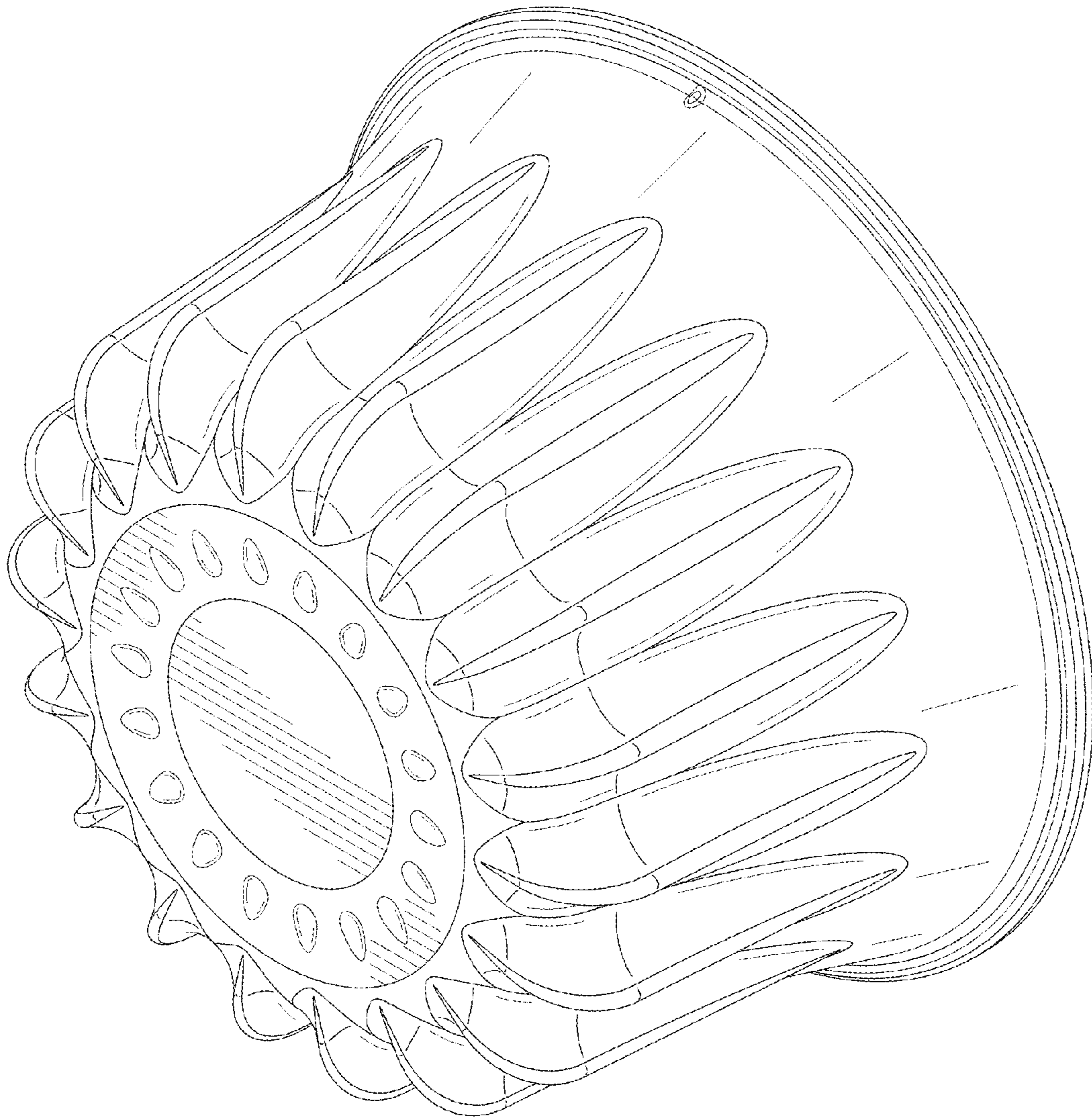


FIG. 2

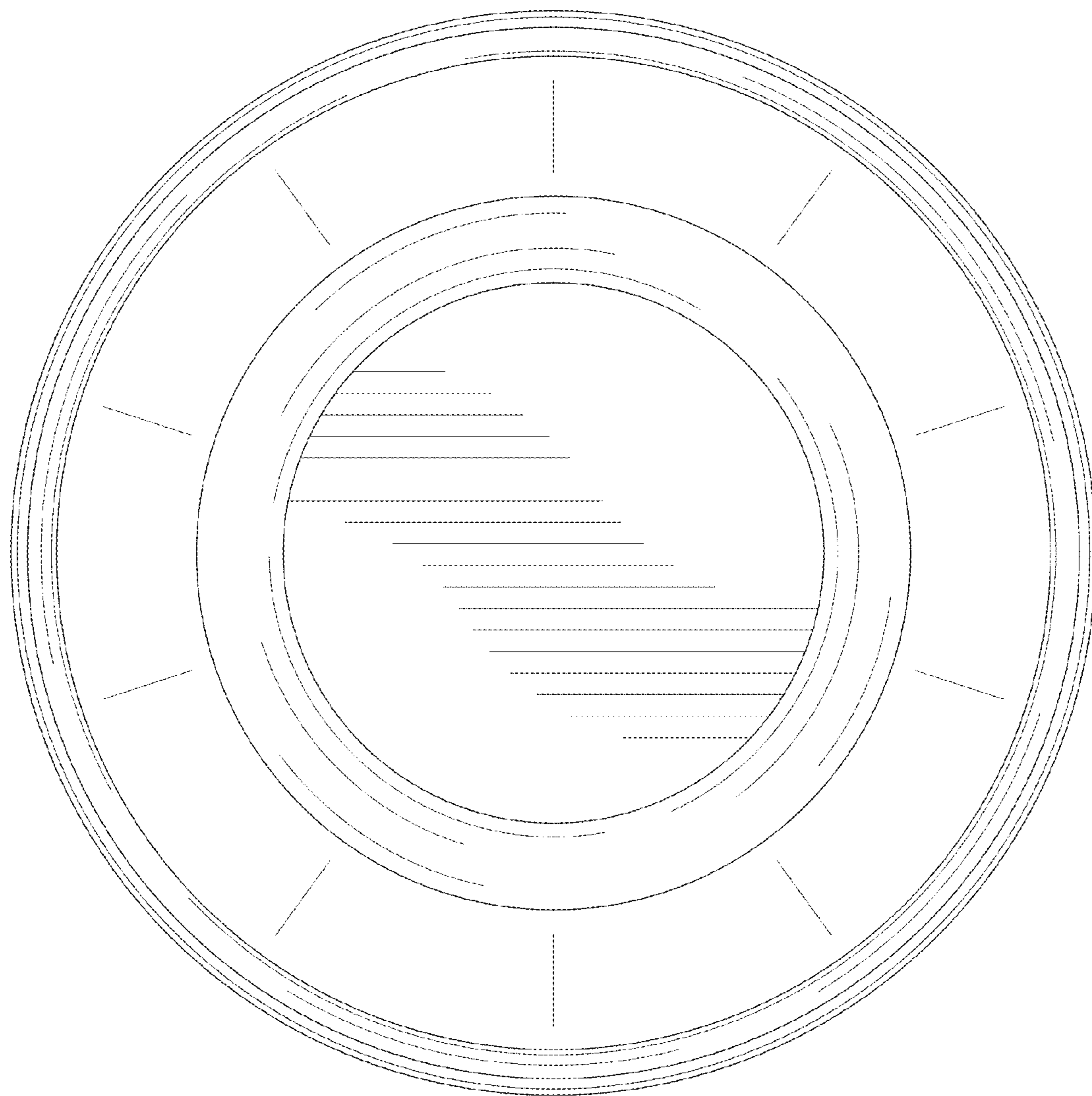


FIG. 3

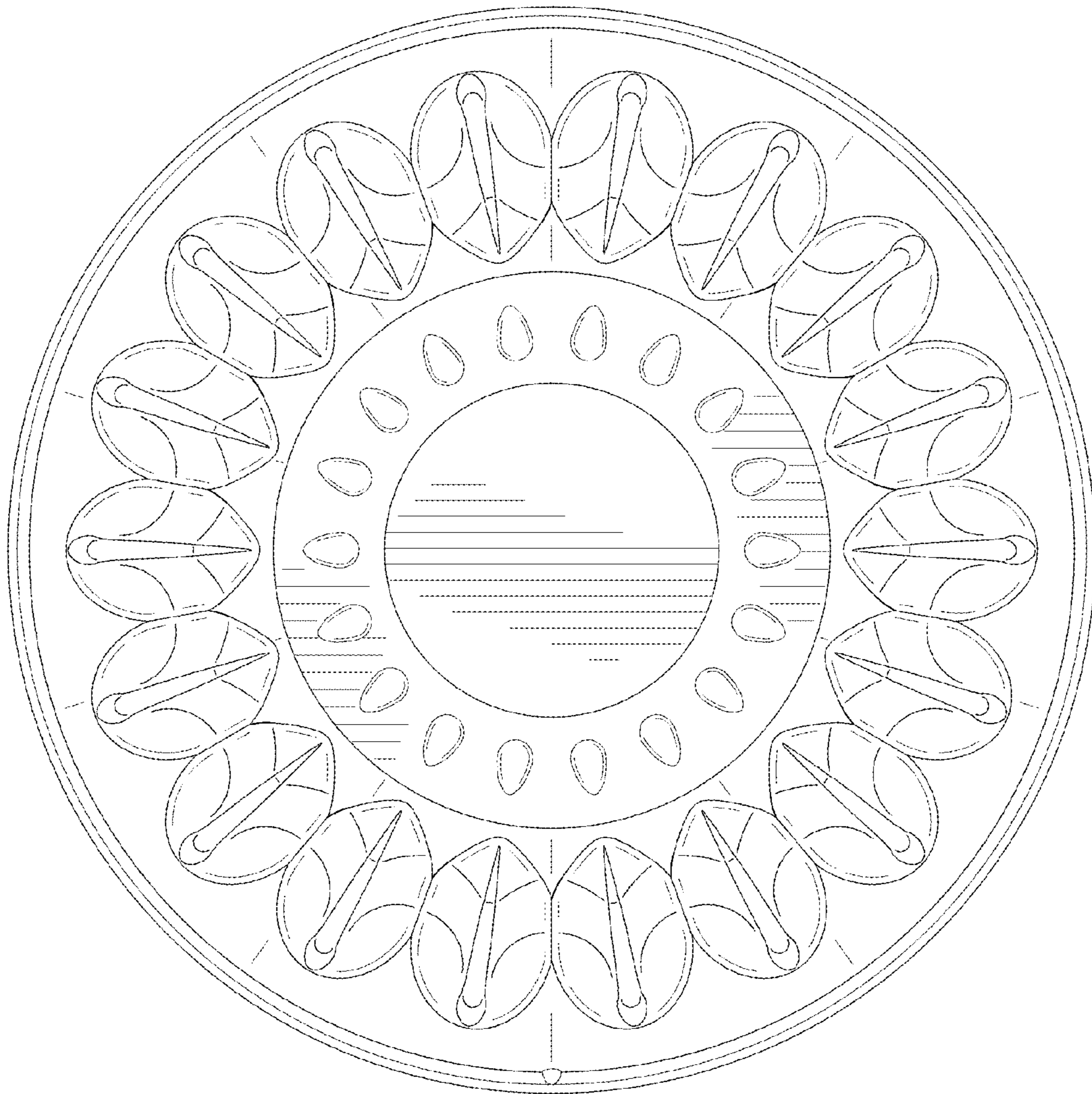


FIG. 4

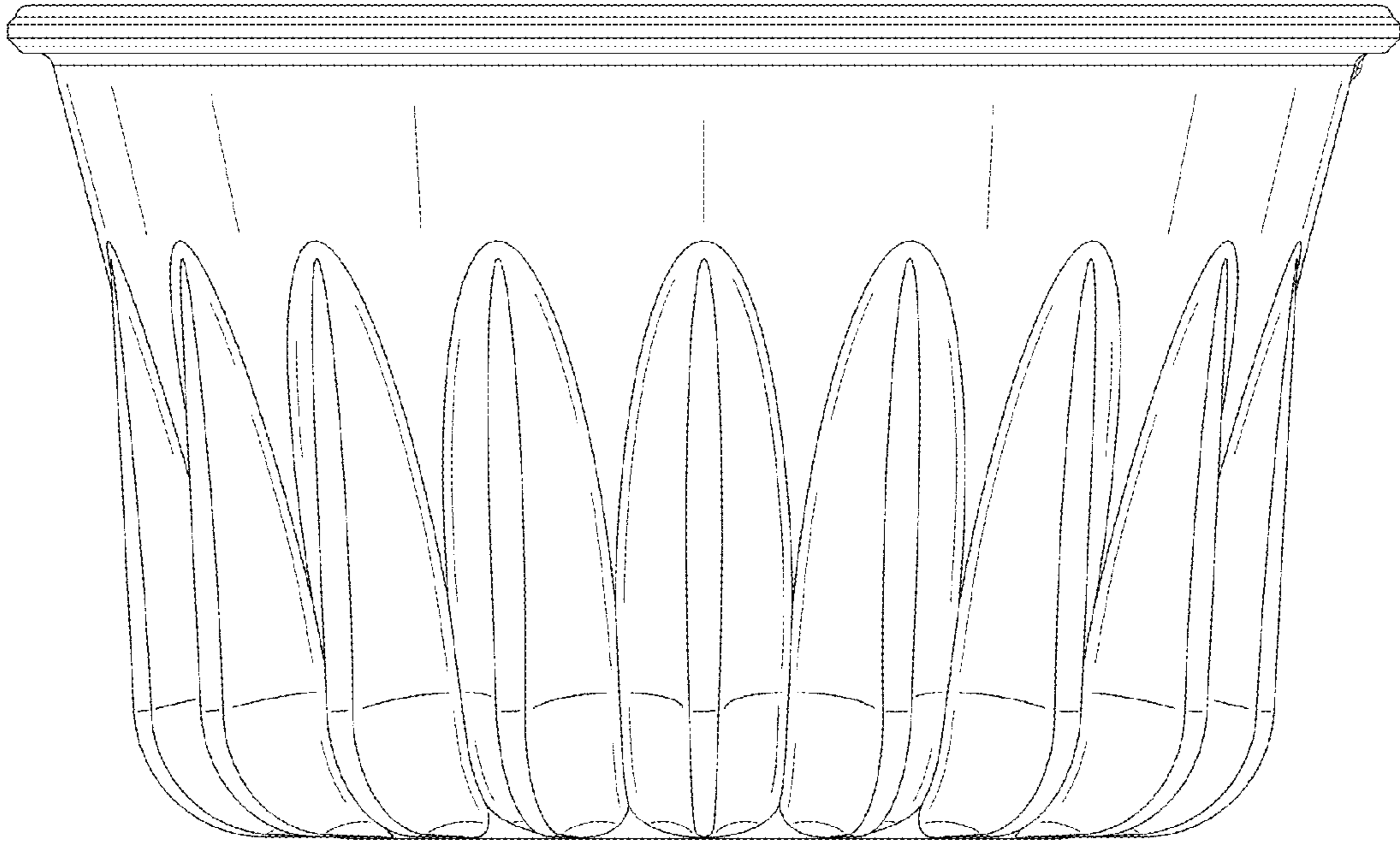


FIG. 5

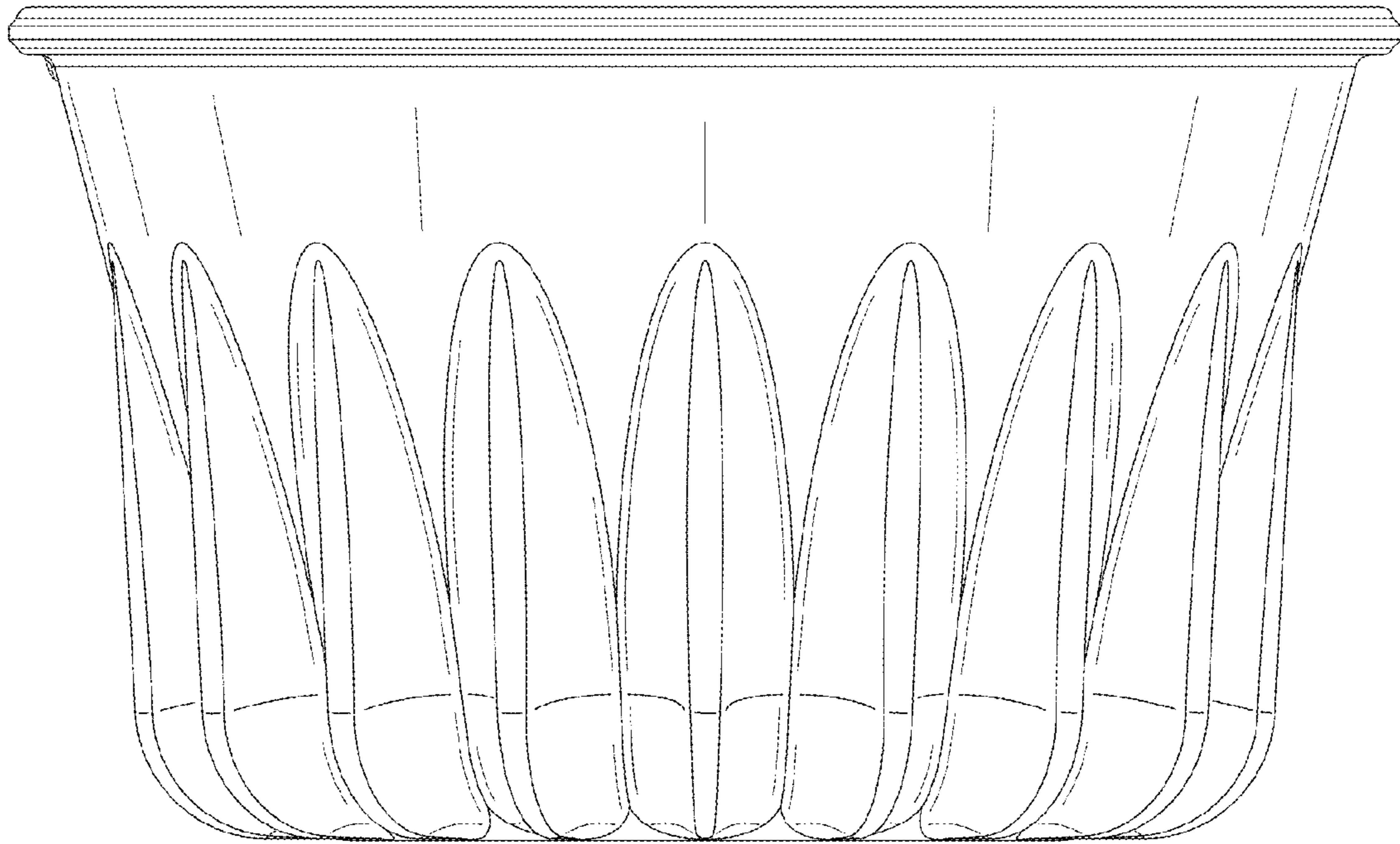


FIG. 6

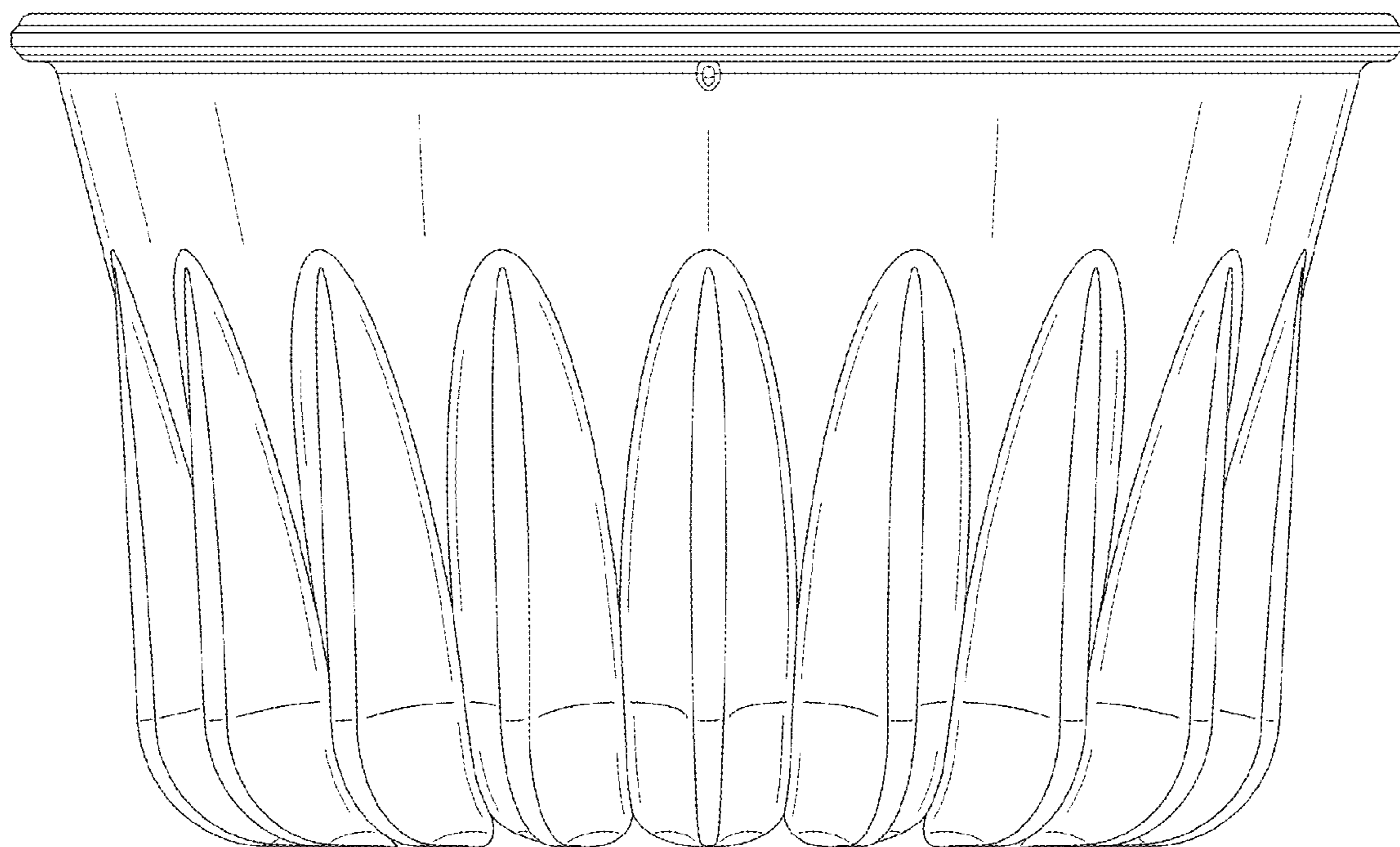


FIG. 7

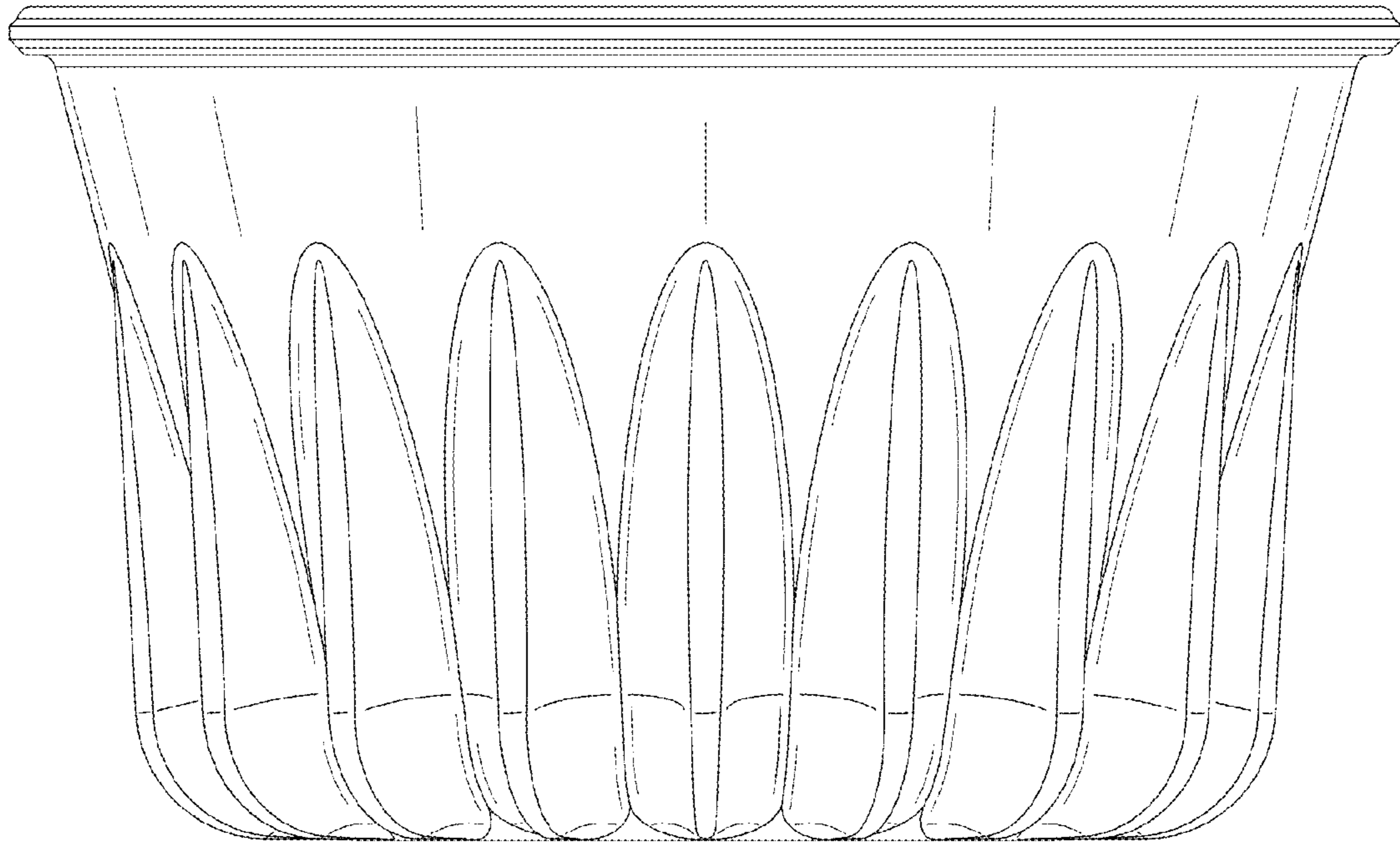


FIG. 8

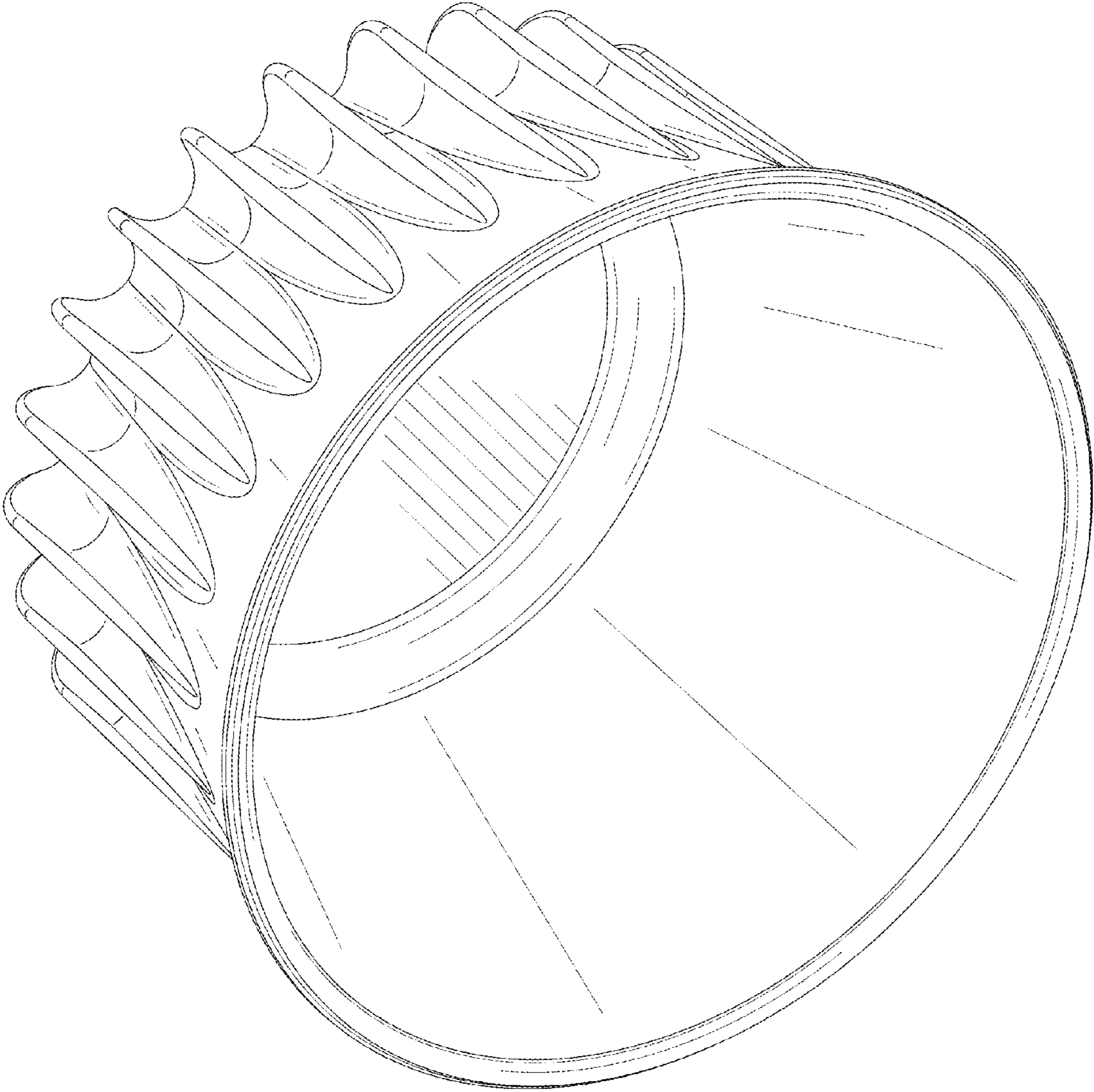


FIG. 9

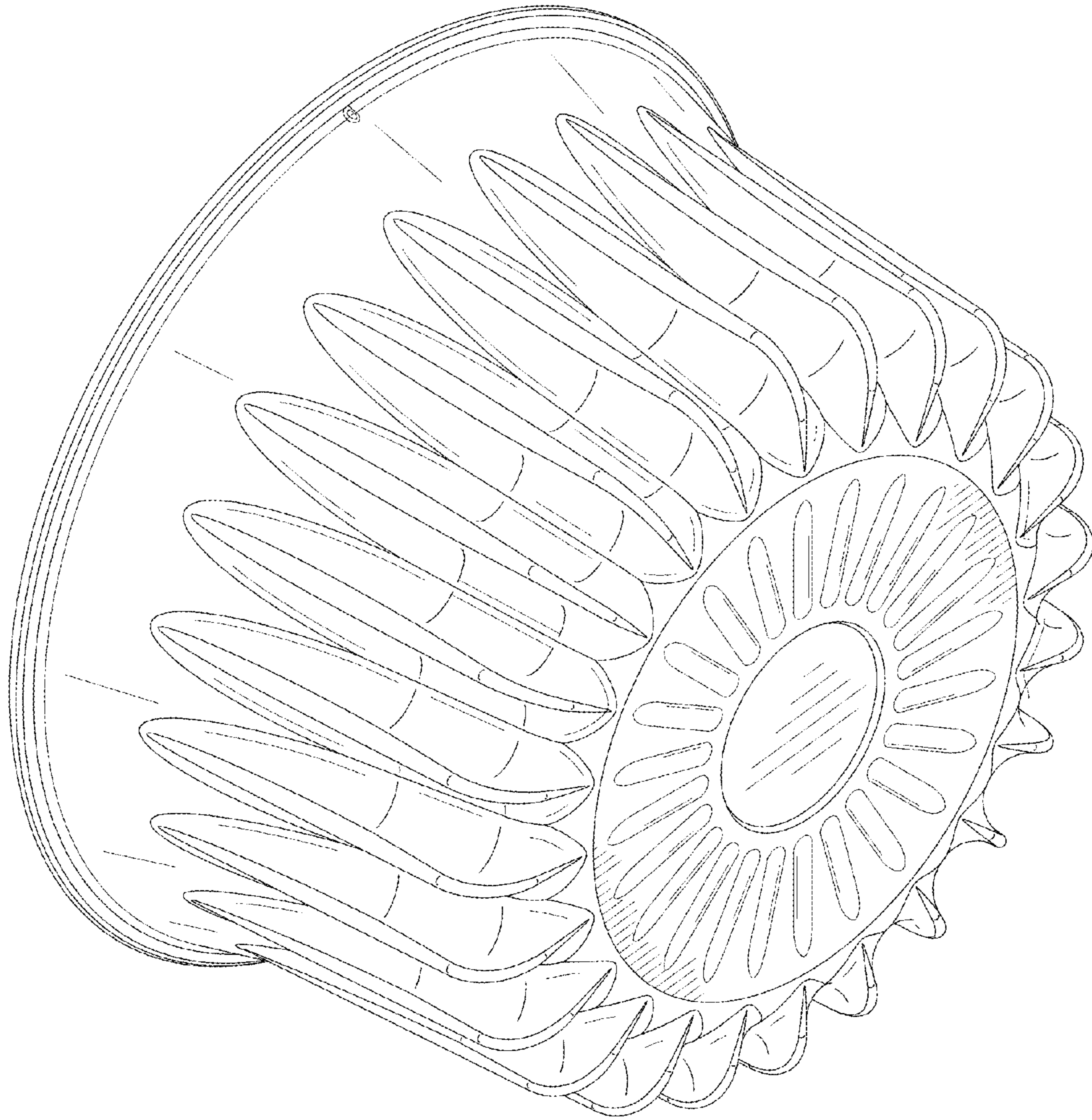


FIG. 10

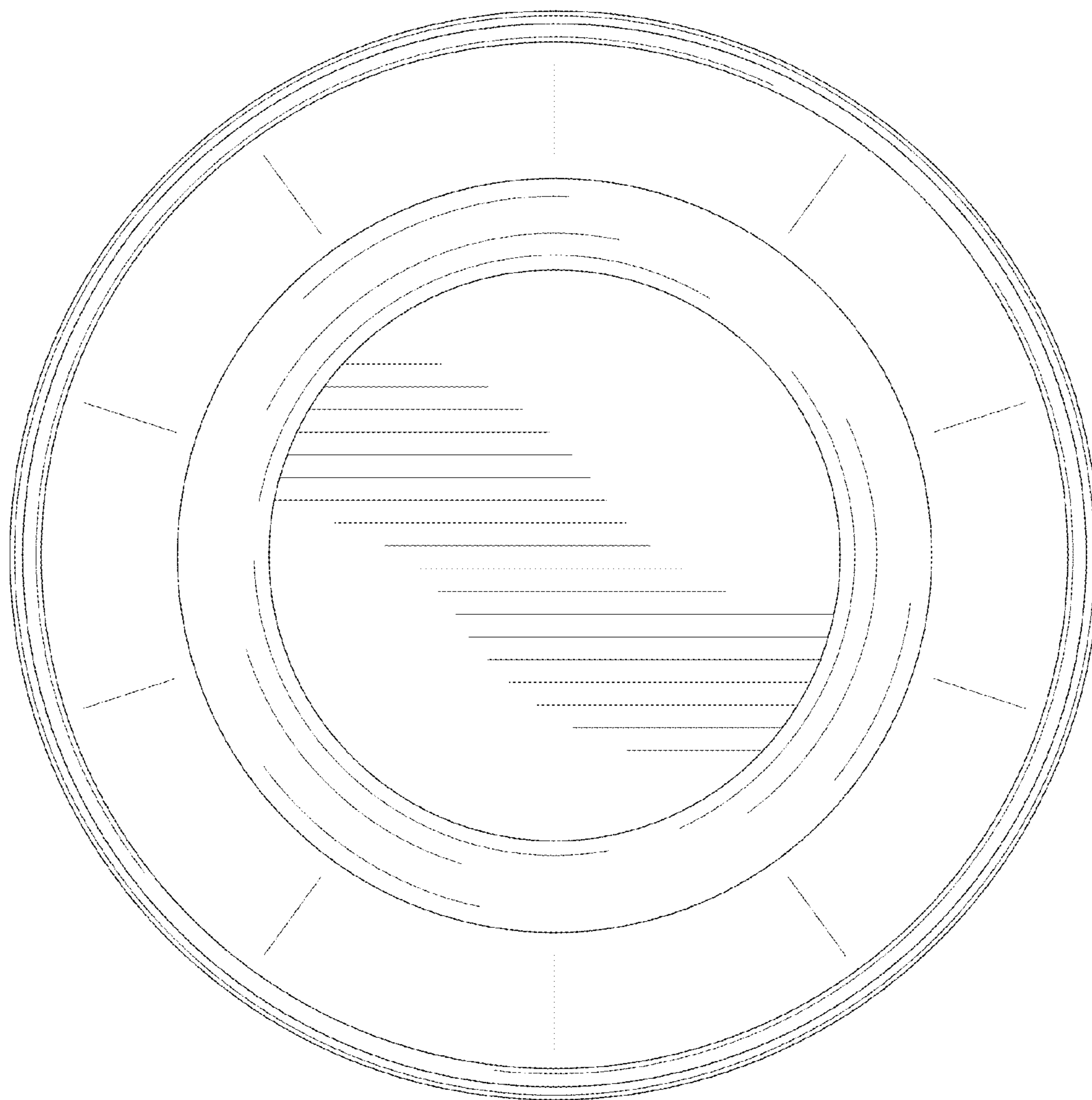


FIG. 11

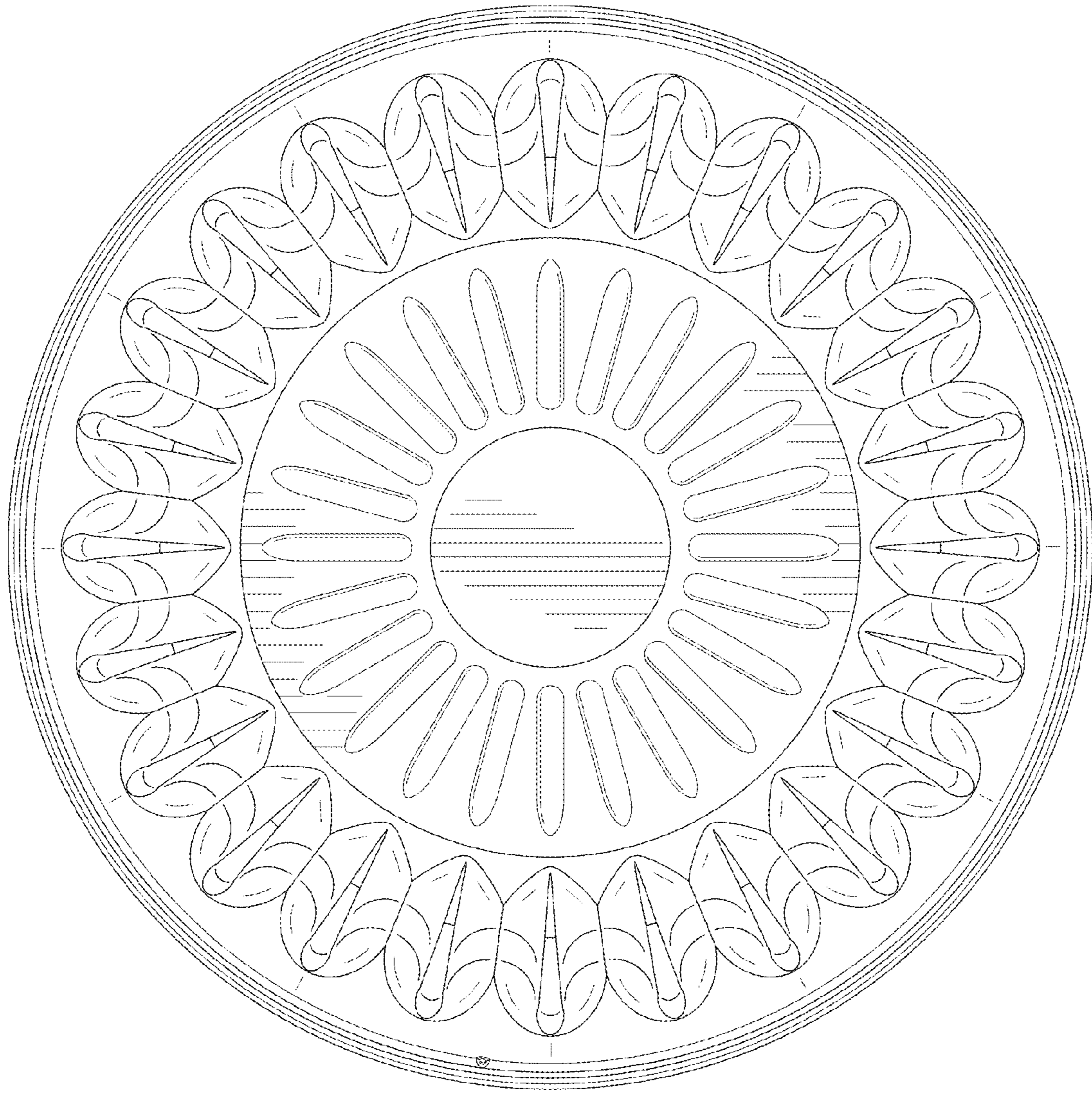


FIG. 12

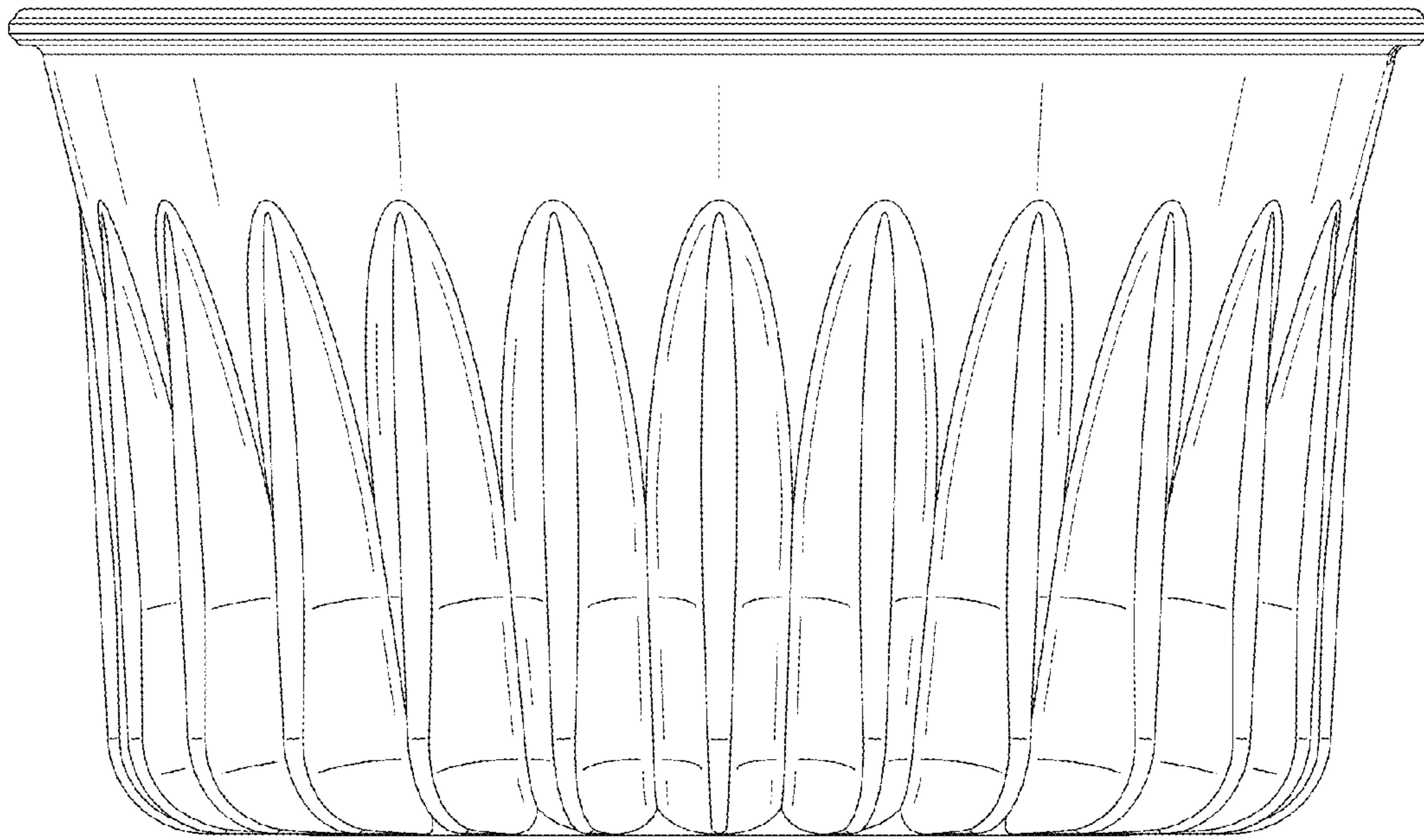


FIG. 13

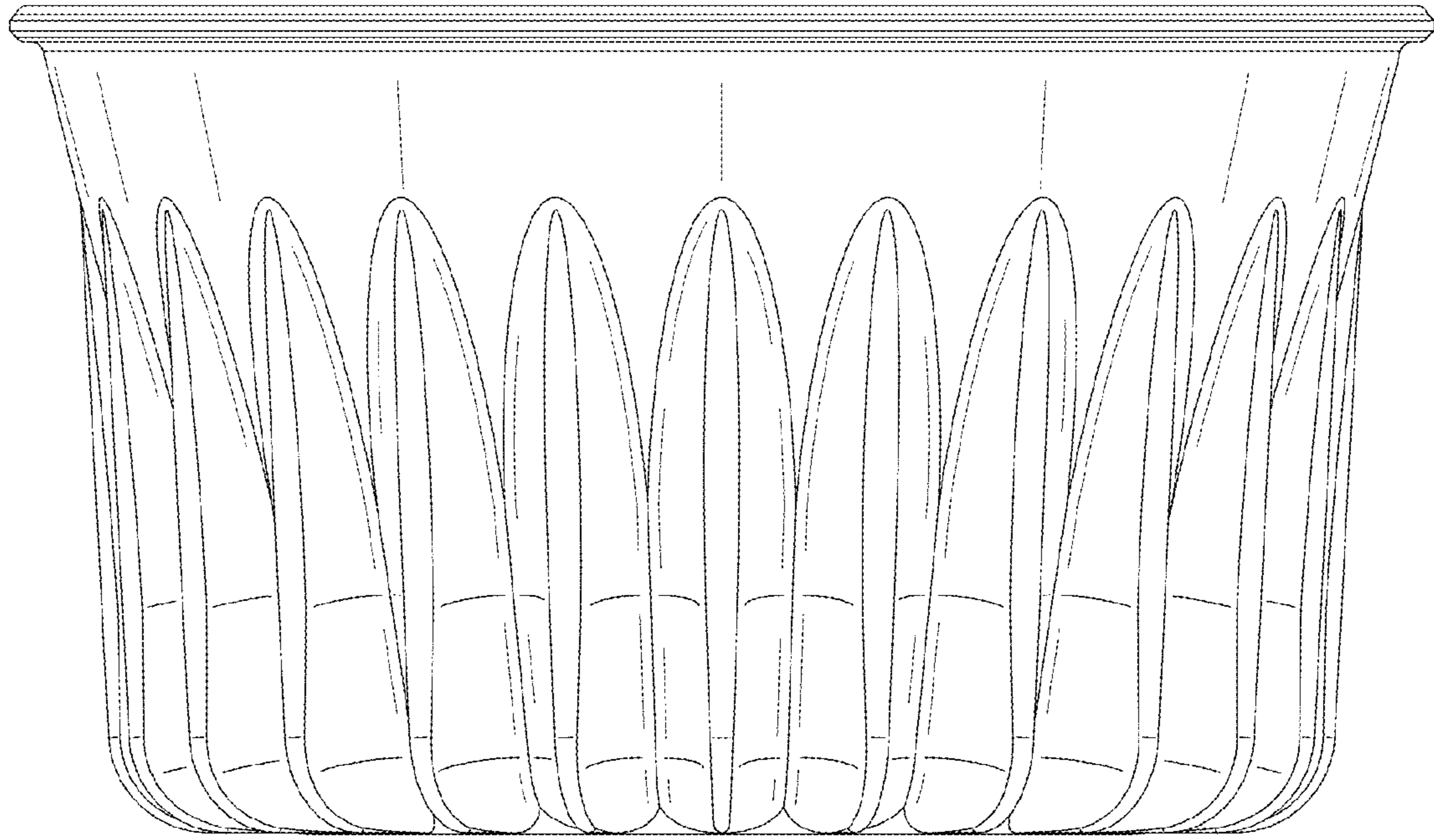


FIG. 14

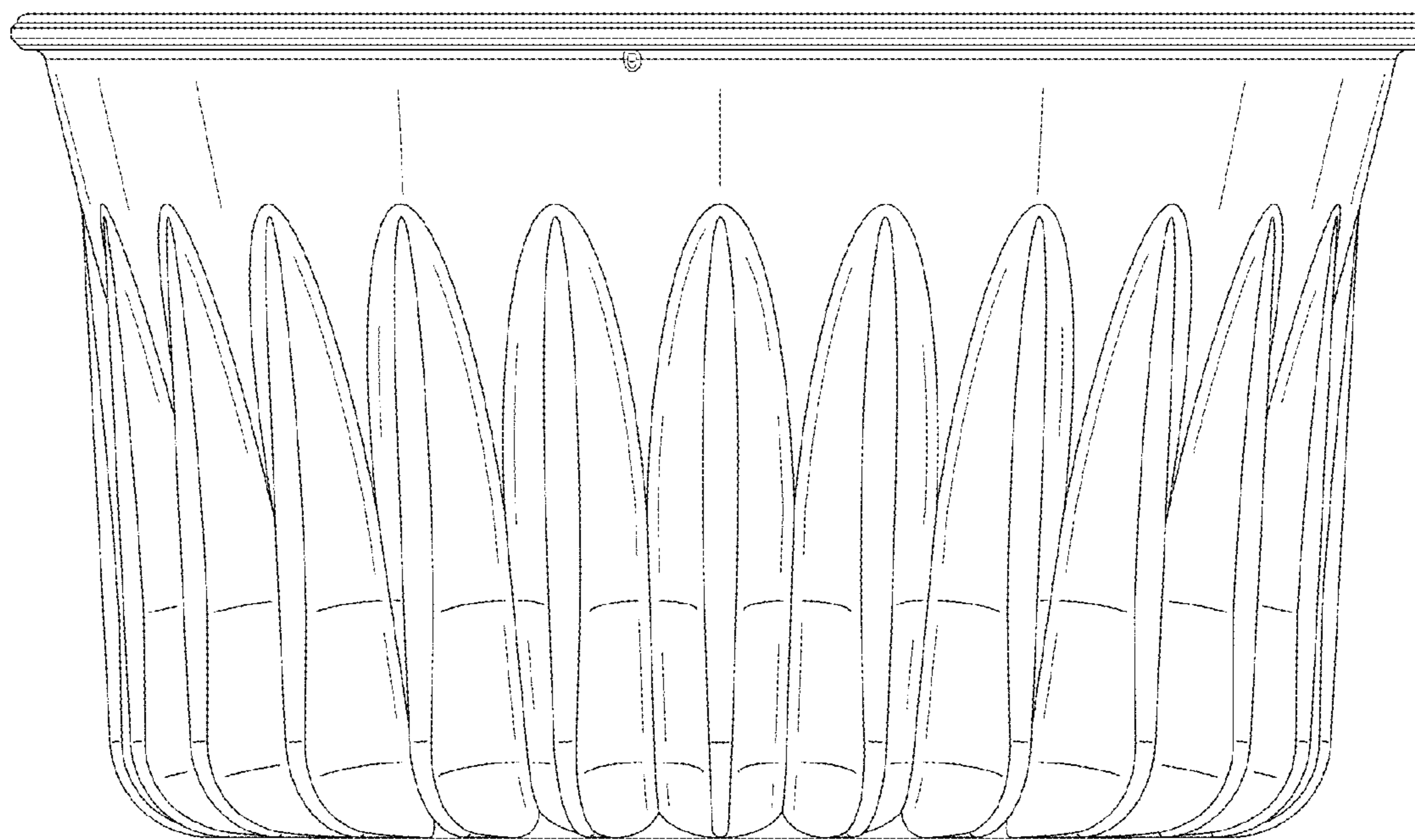


FIG. 15

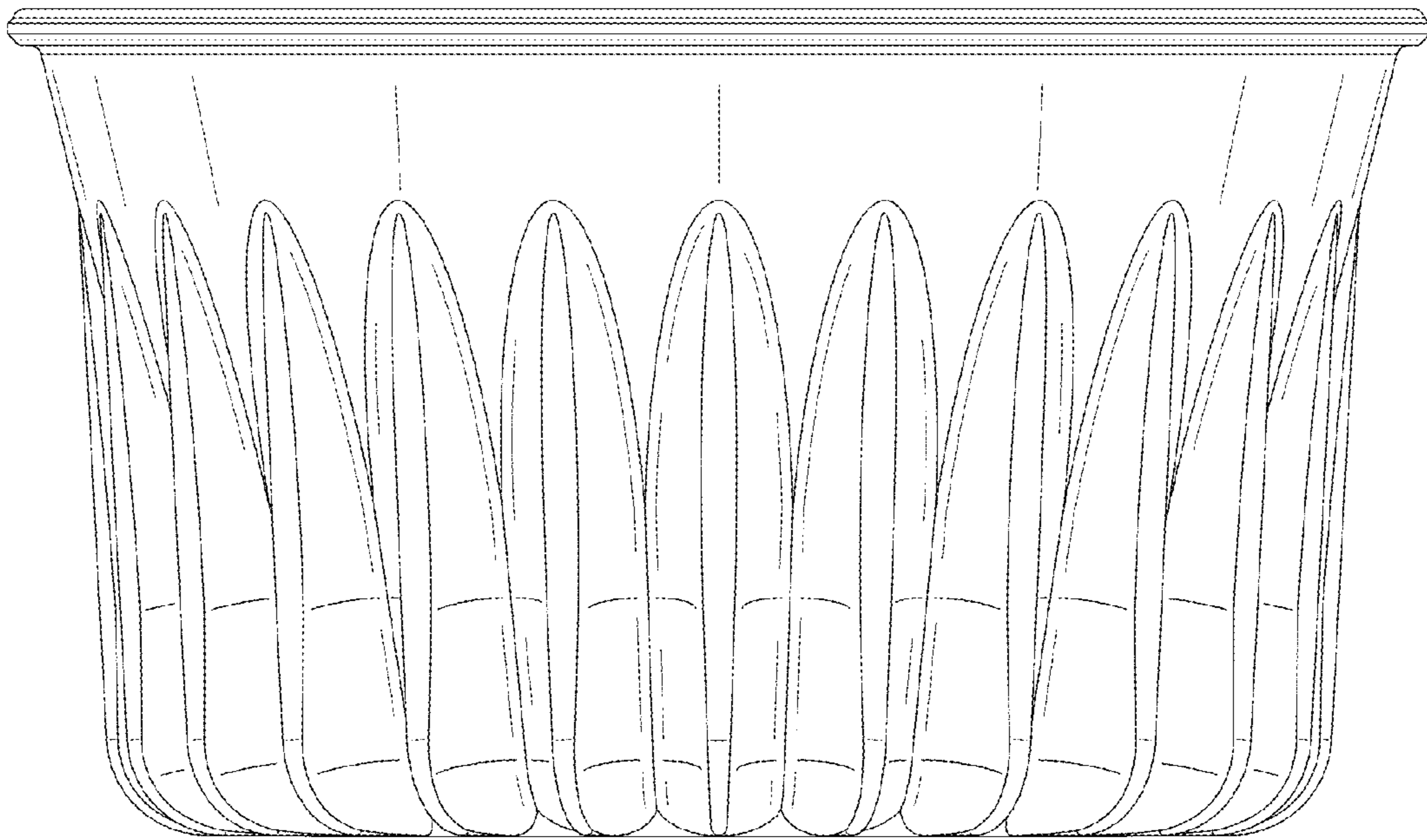


FIG. 16

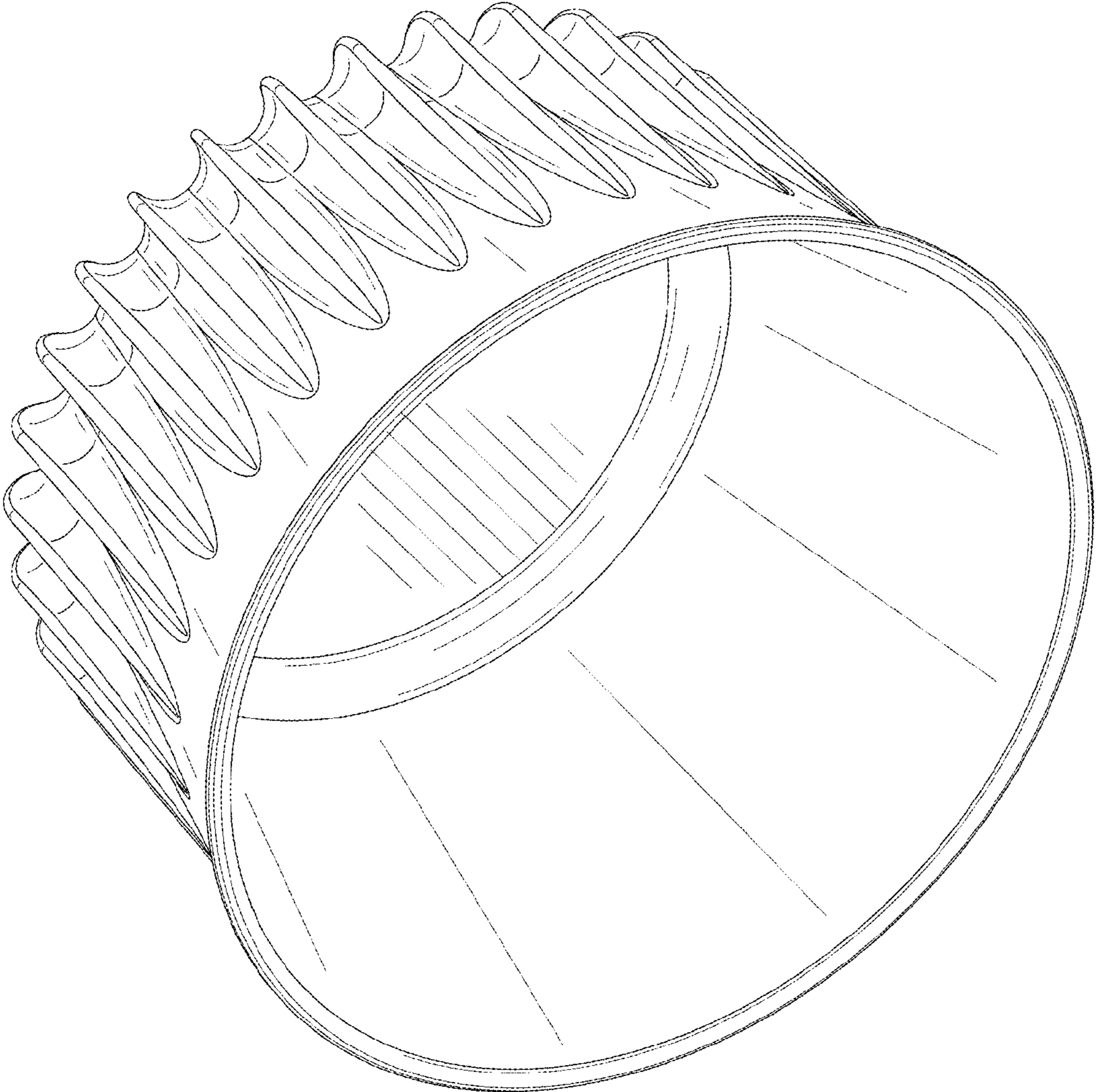


FIG. 17

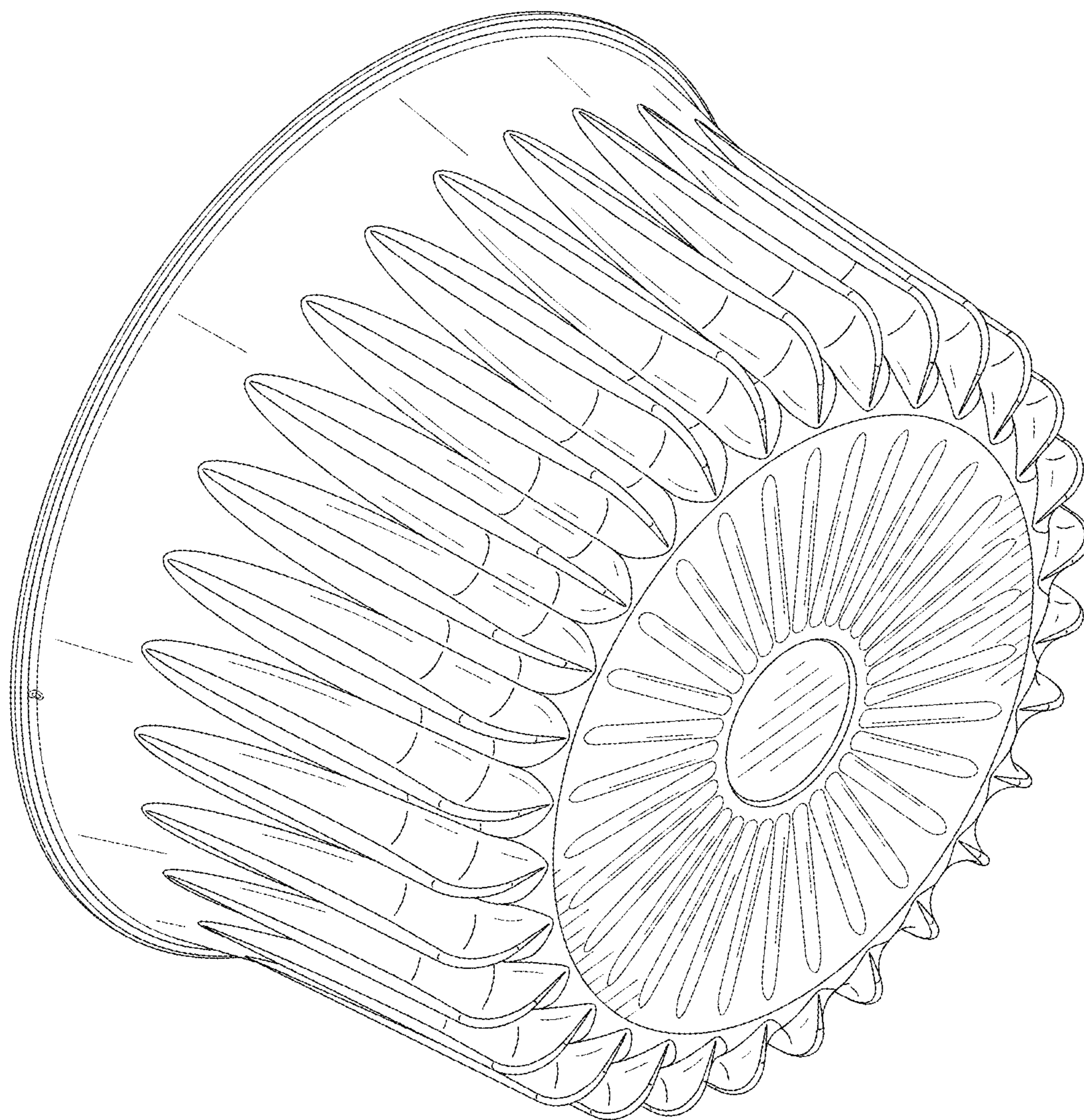


FIG. 18

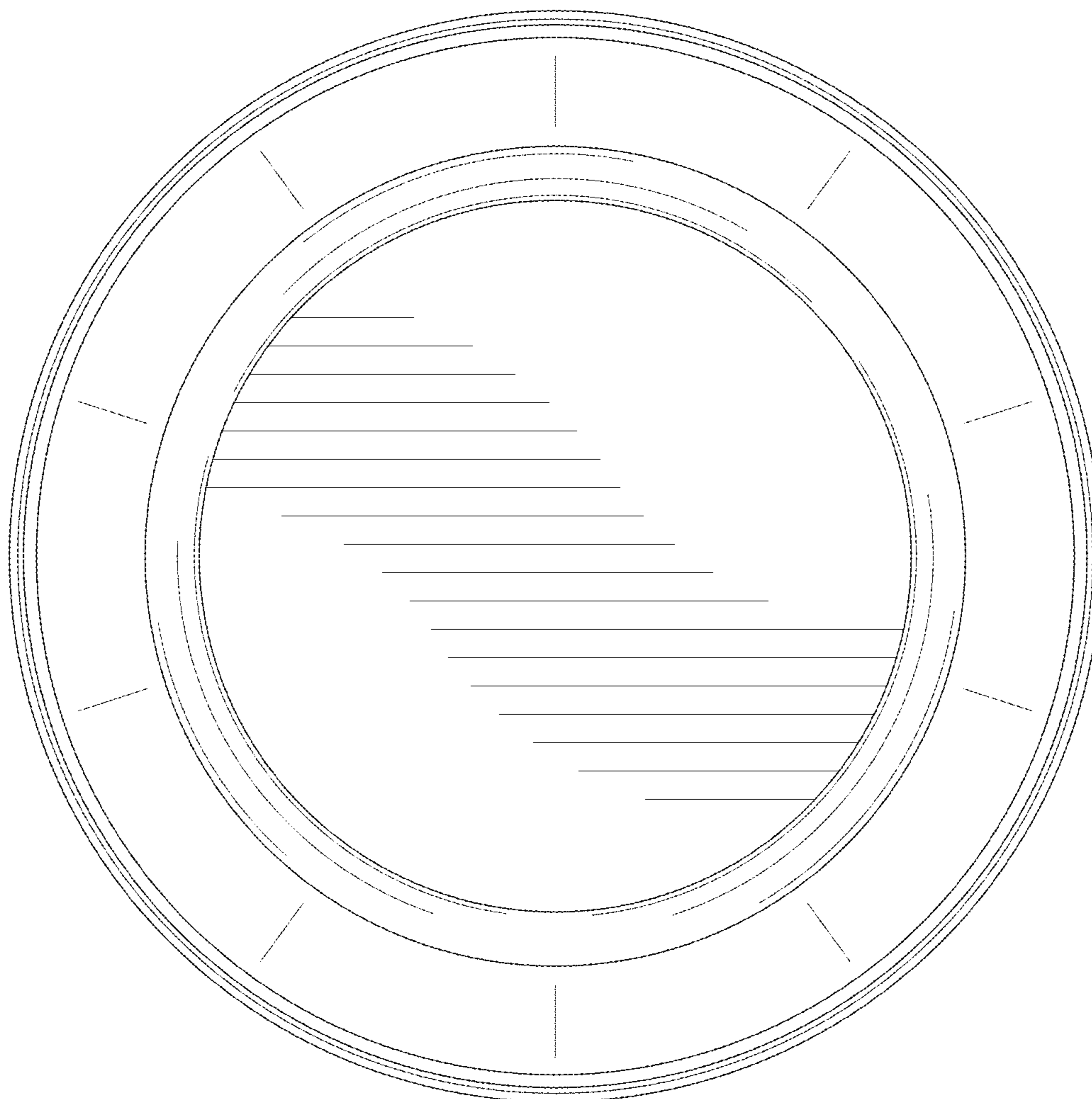


FIG. 19

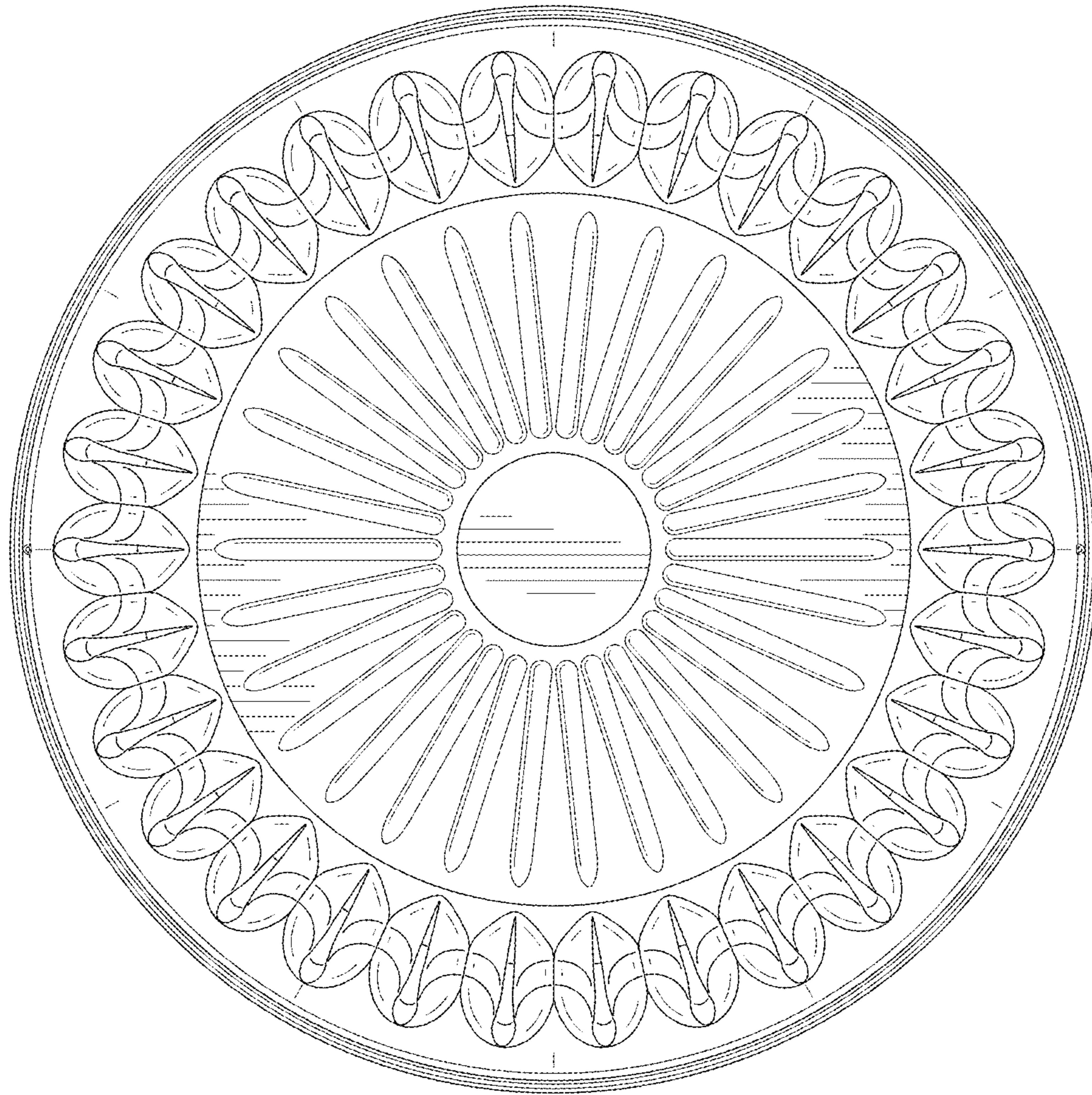


FIG. 20

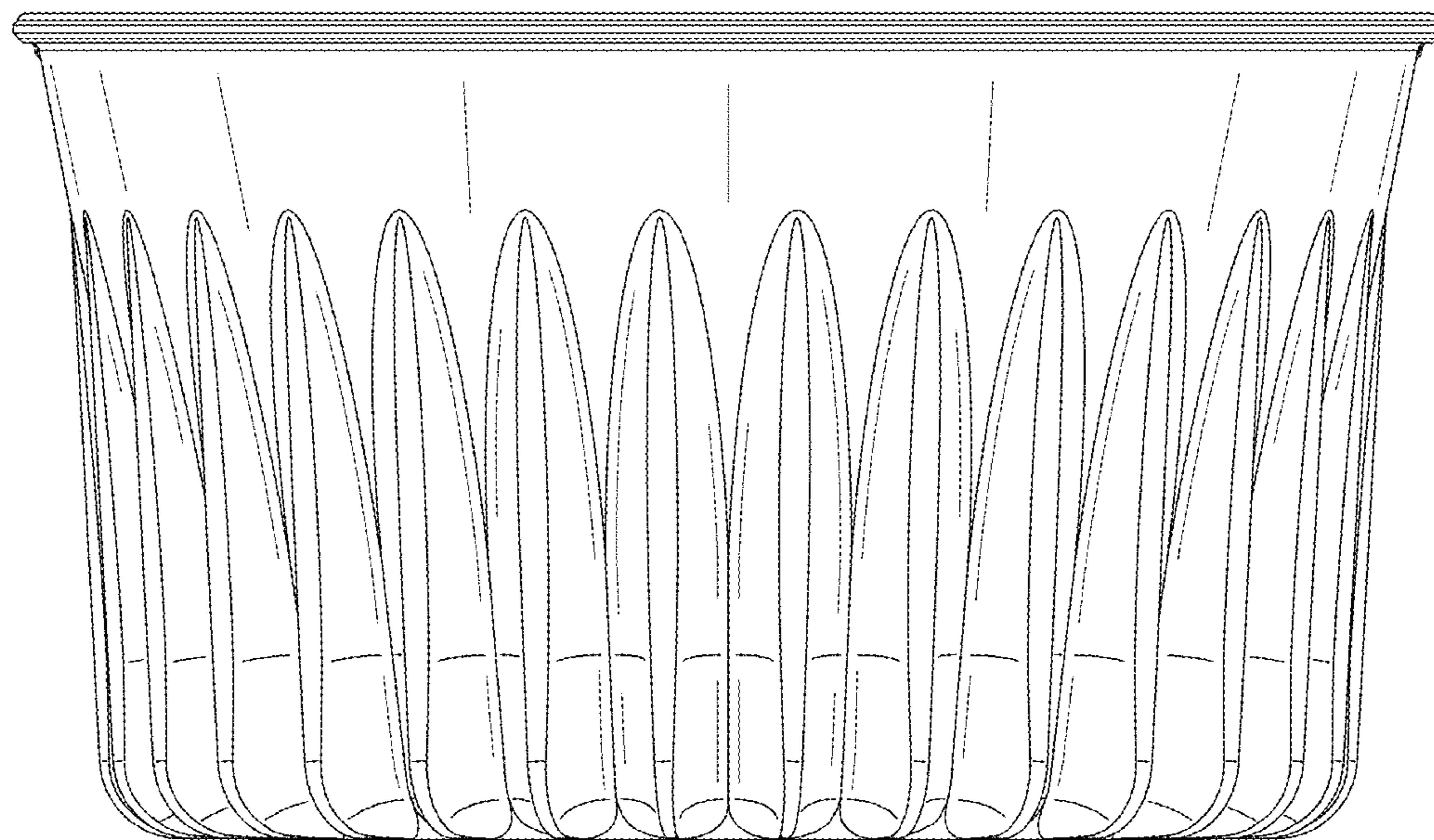


FIG. 21

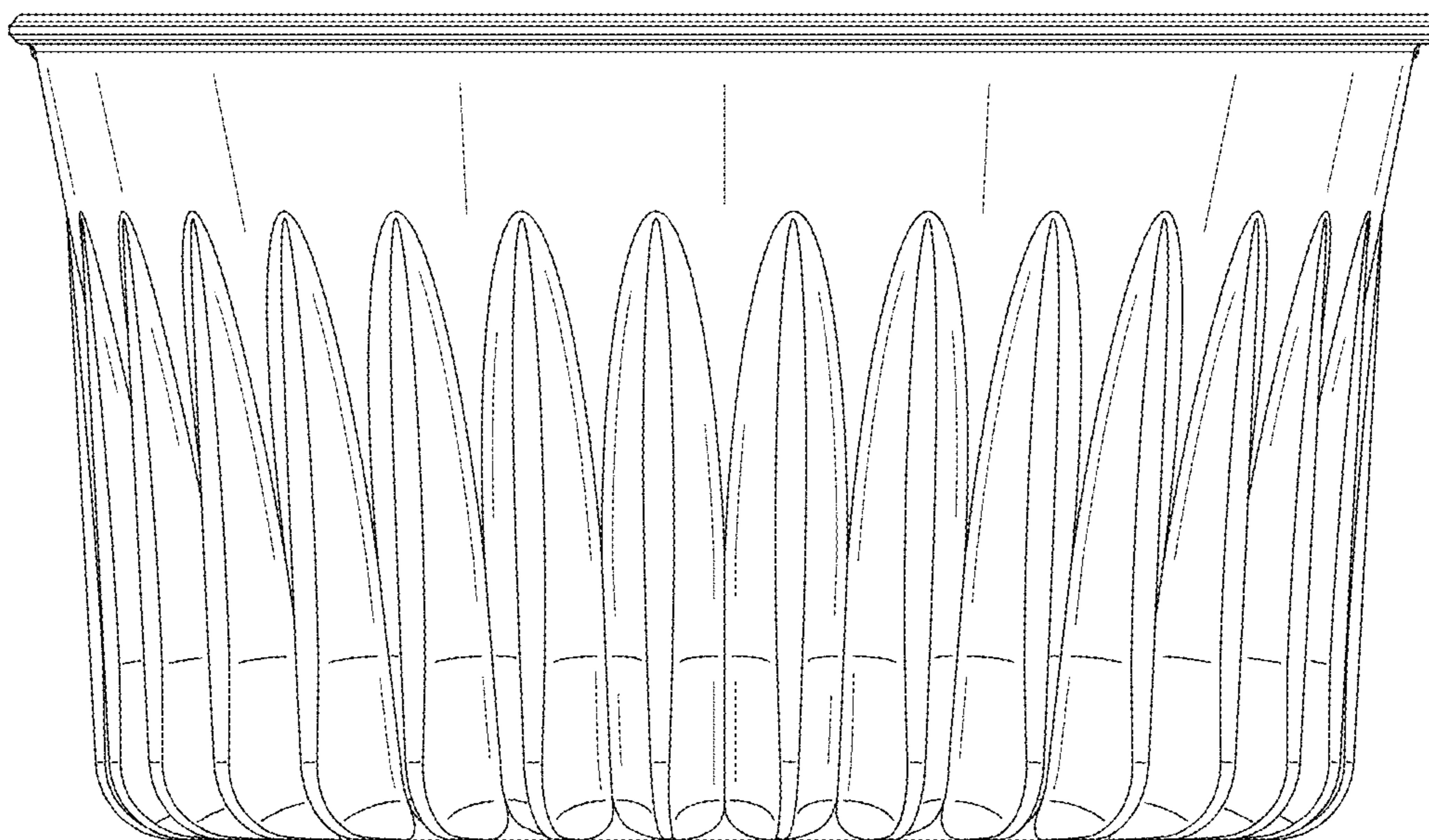


FIG. 22

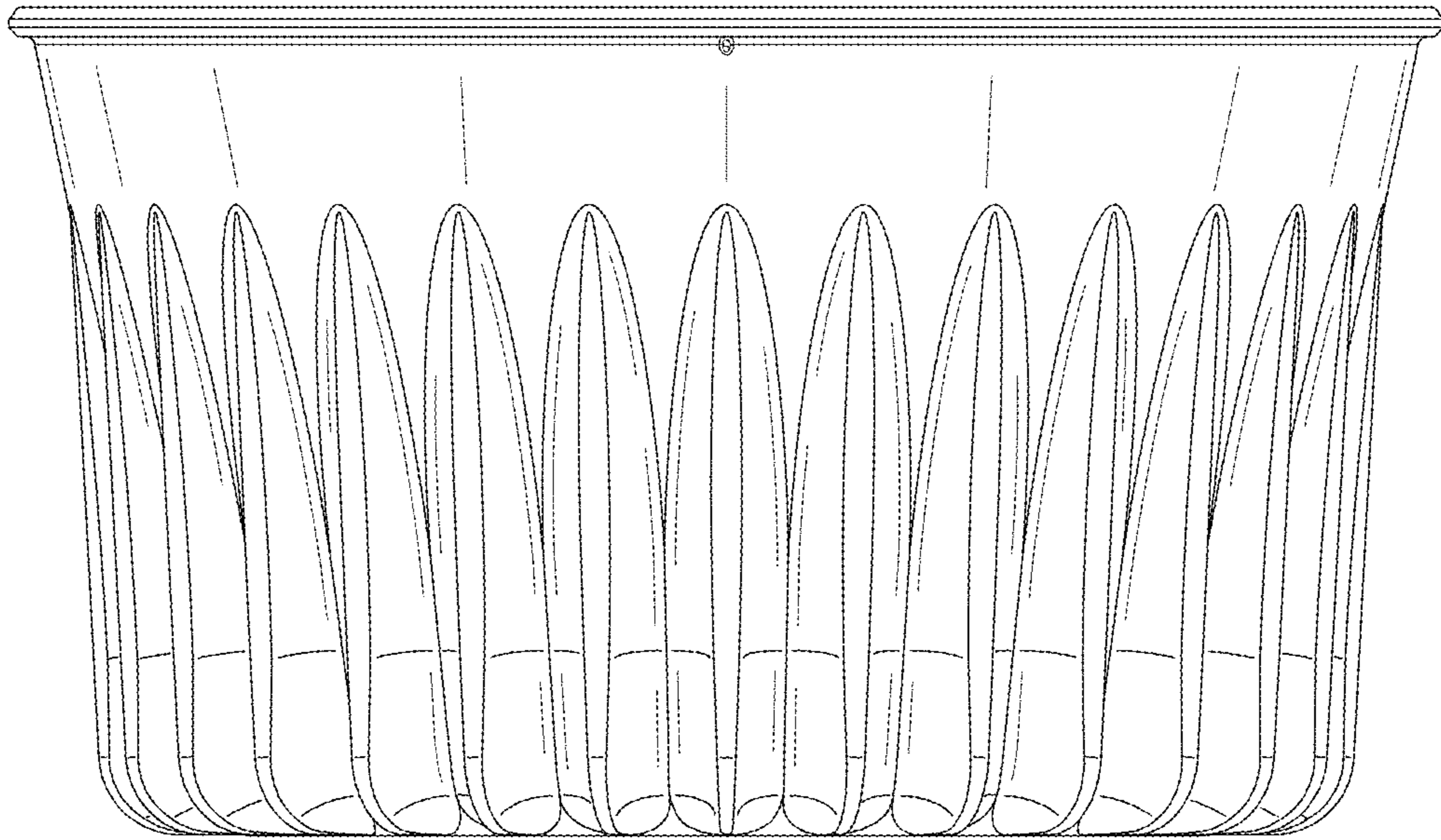


FIG. 23

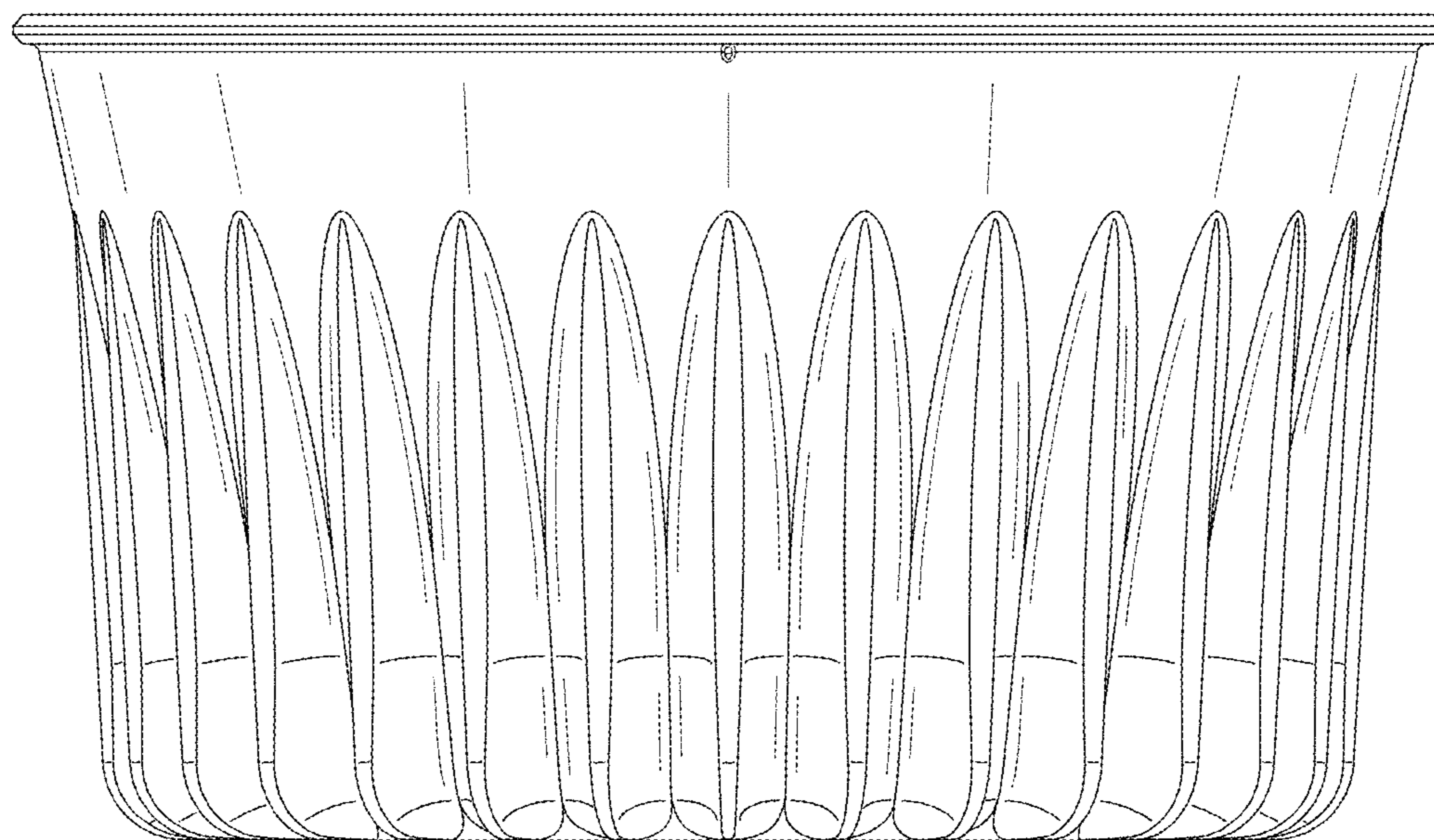


FIG. 24

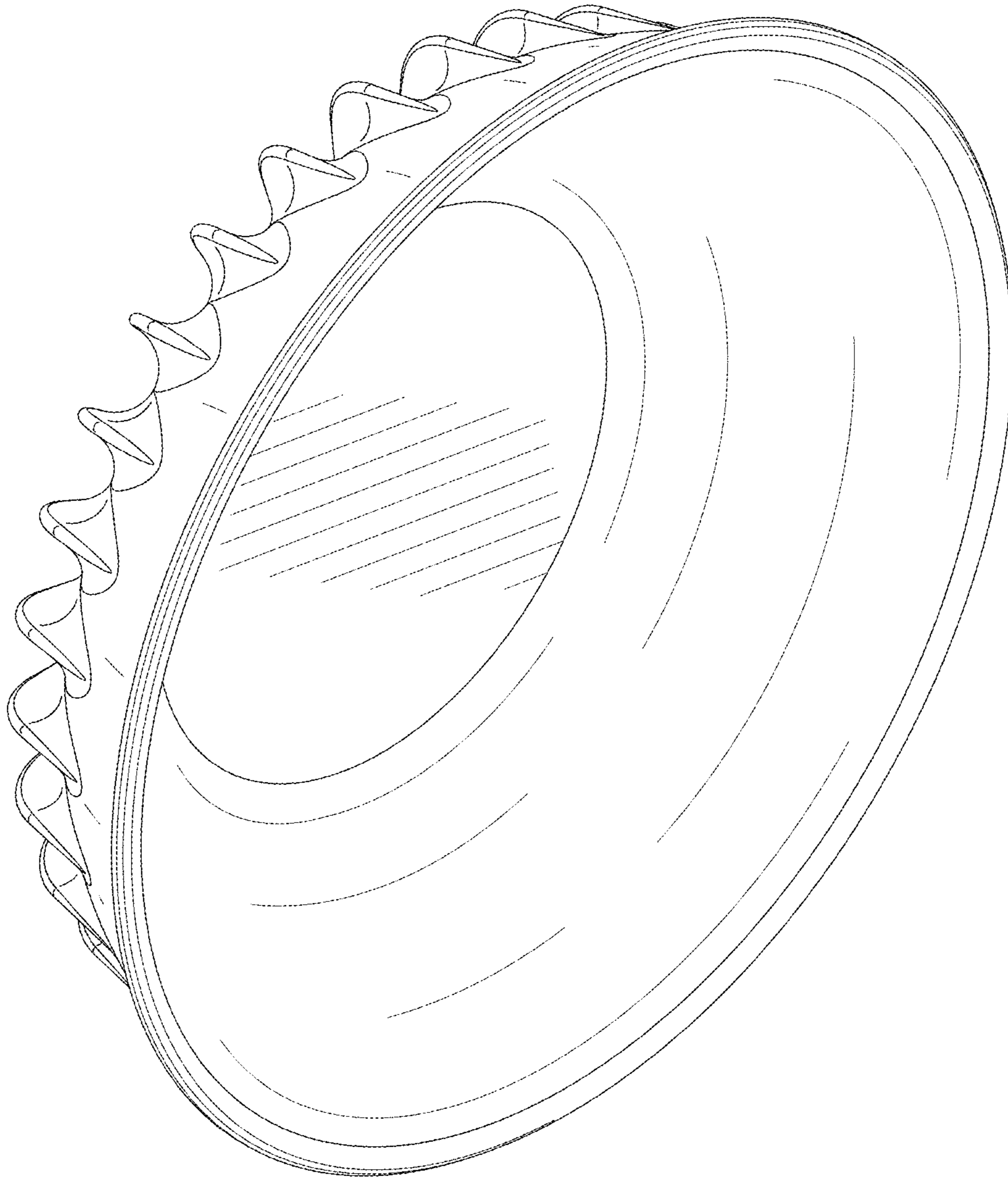


FIG. 25

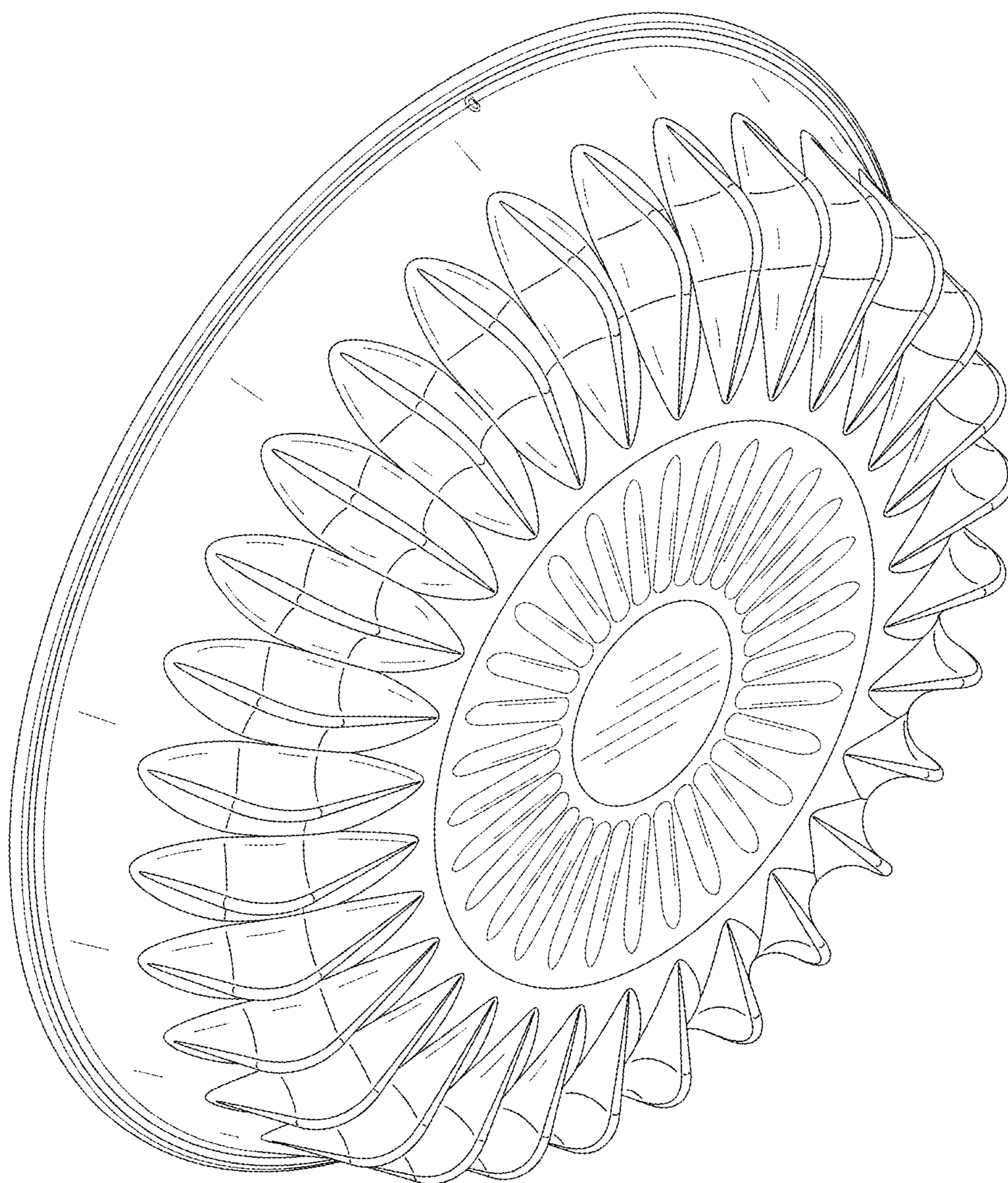


FIG. 26

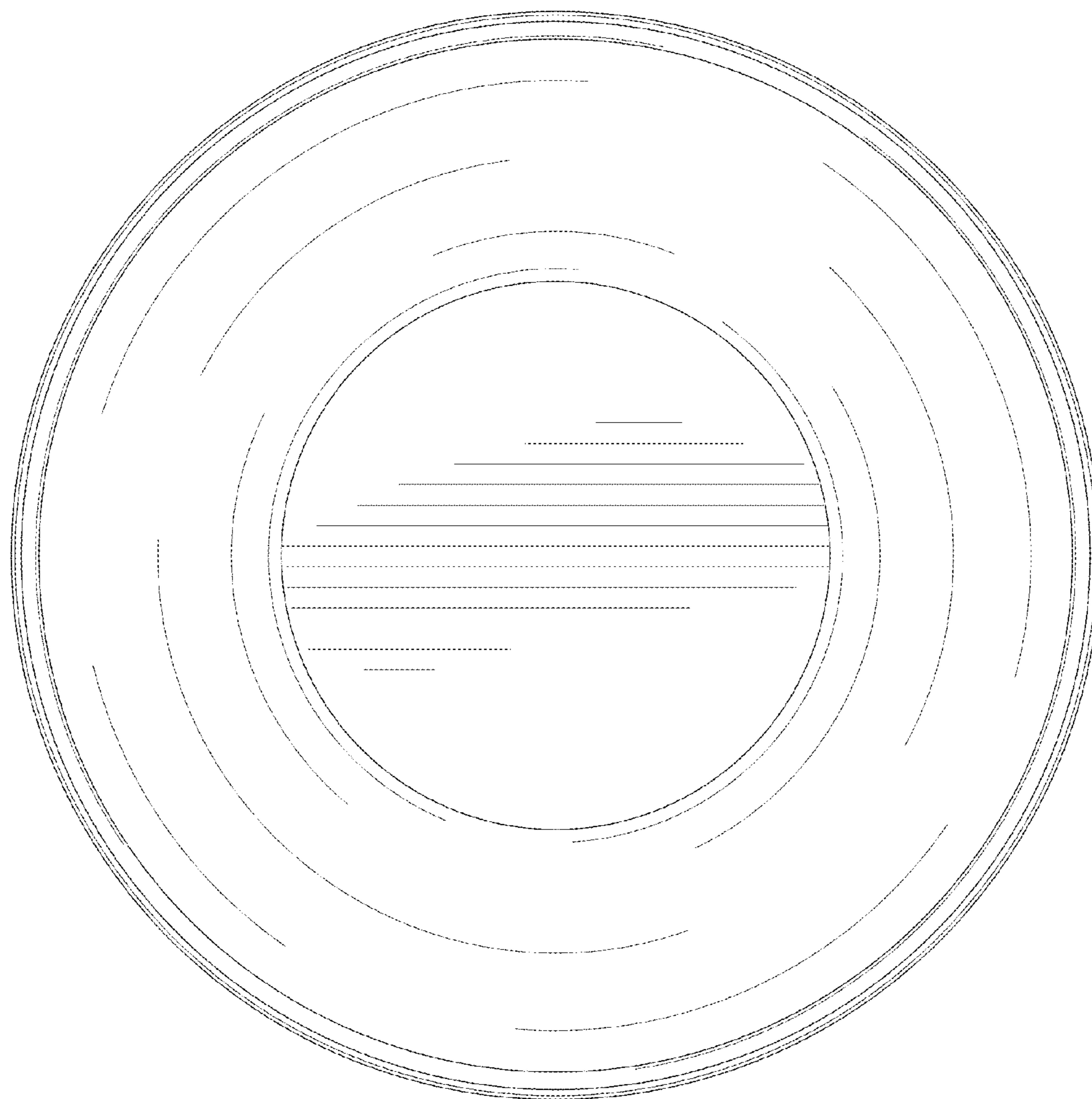


FIG. 27

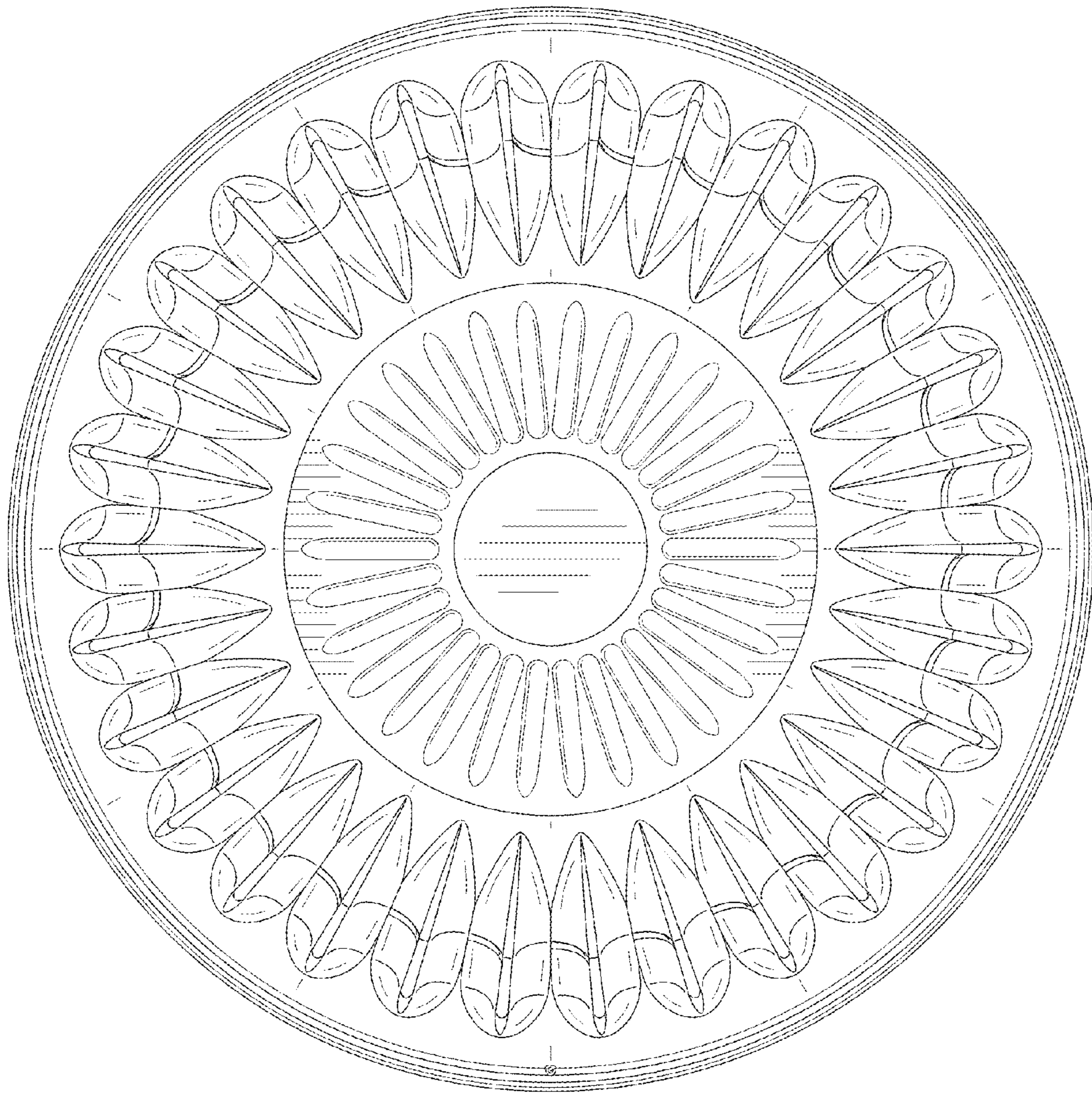


FIG. 28

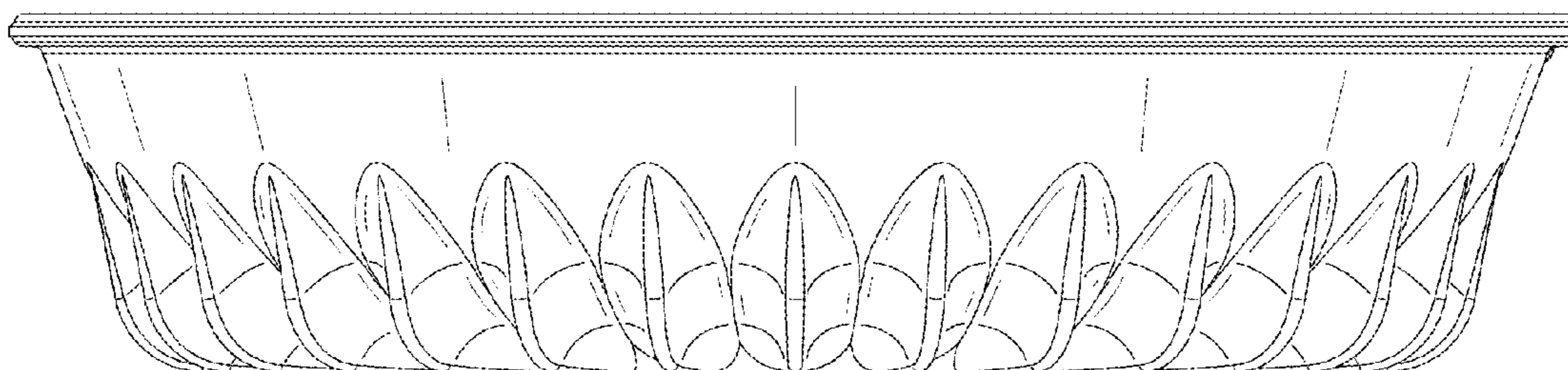


FIG. 29

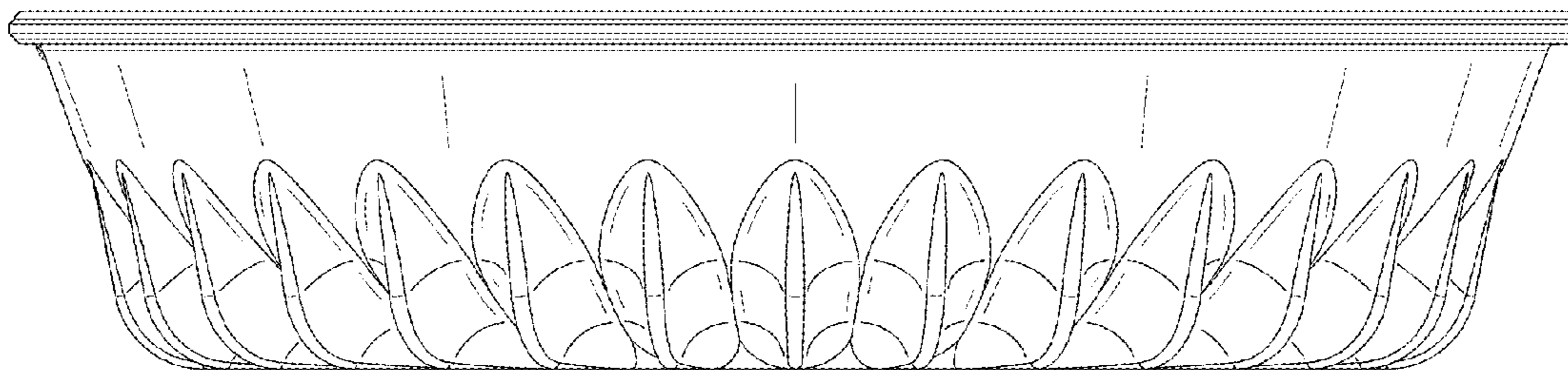


FIG. 30

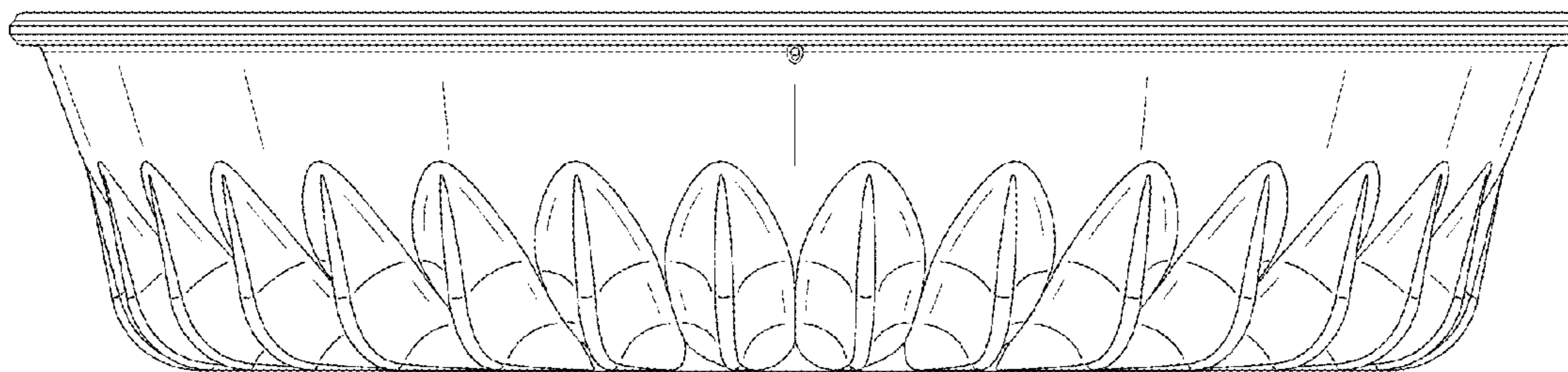


FIG. 31

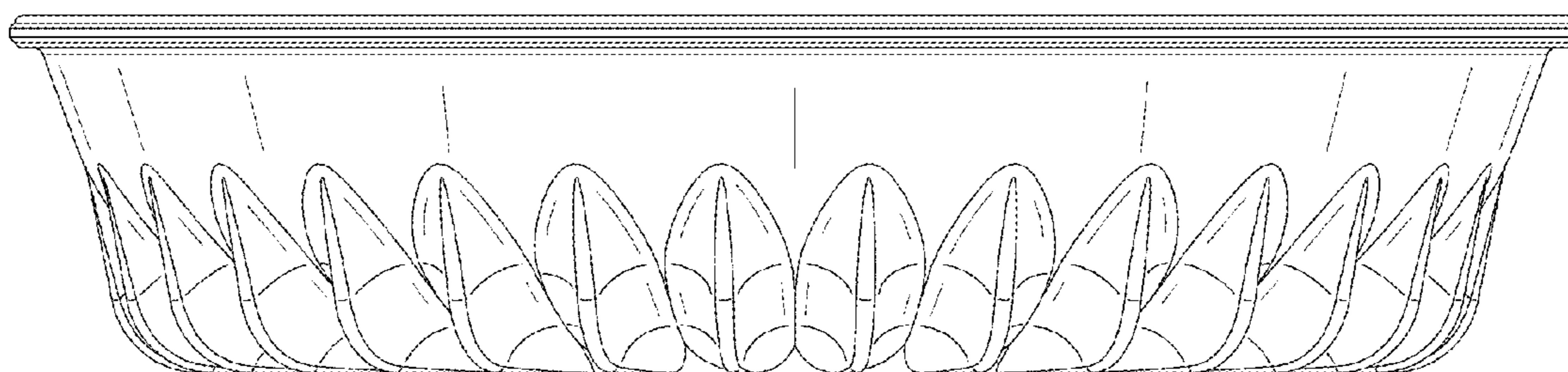


FIG. 32

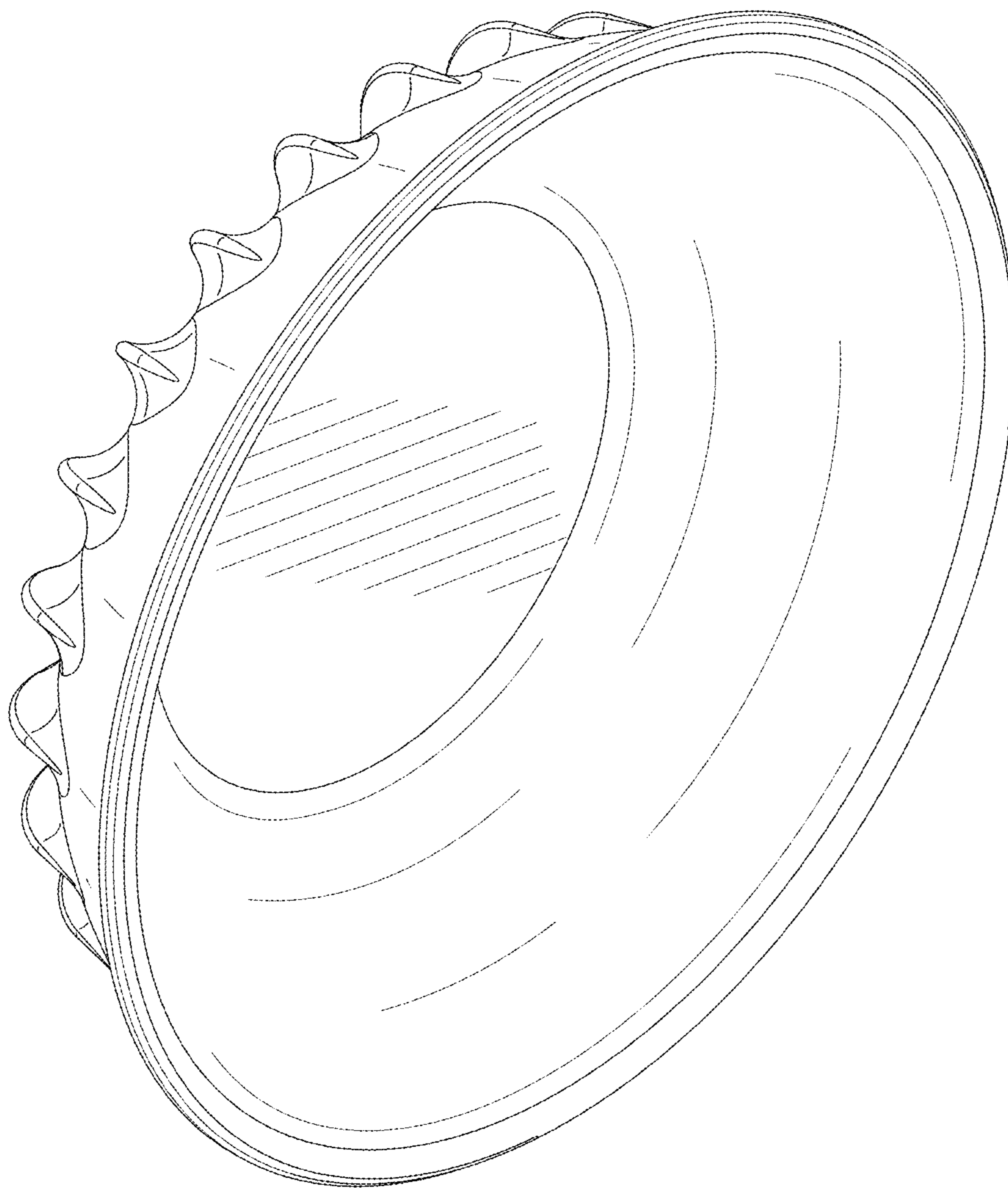


FIG. 33

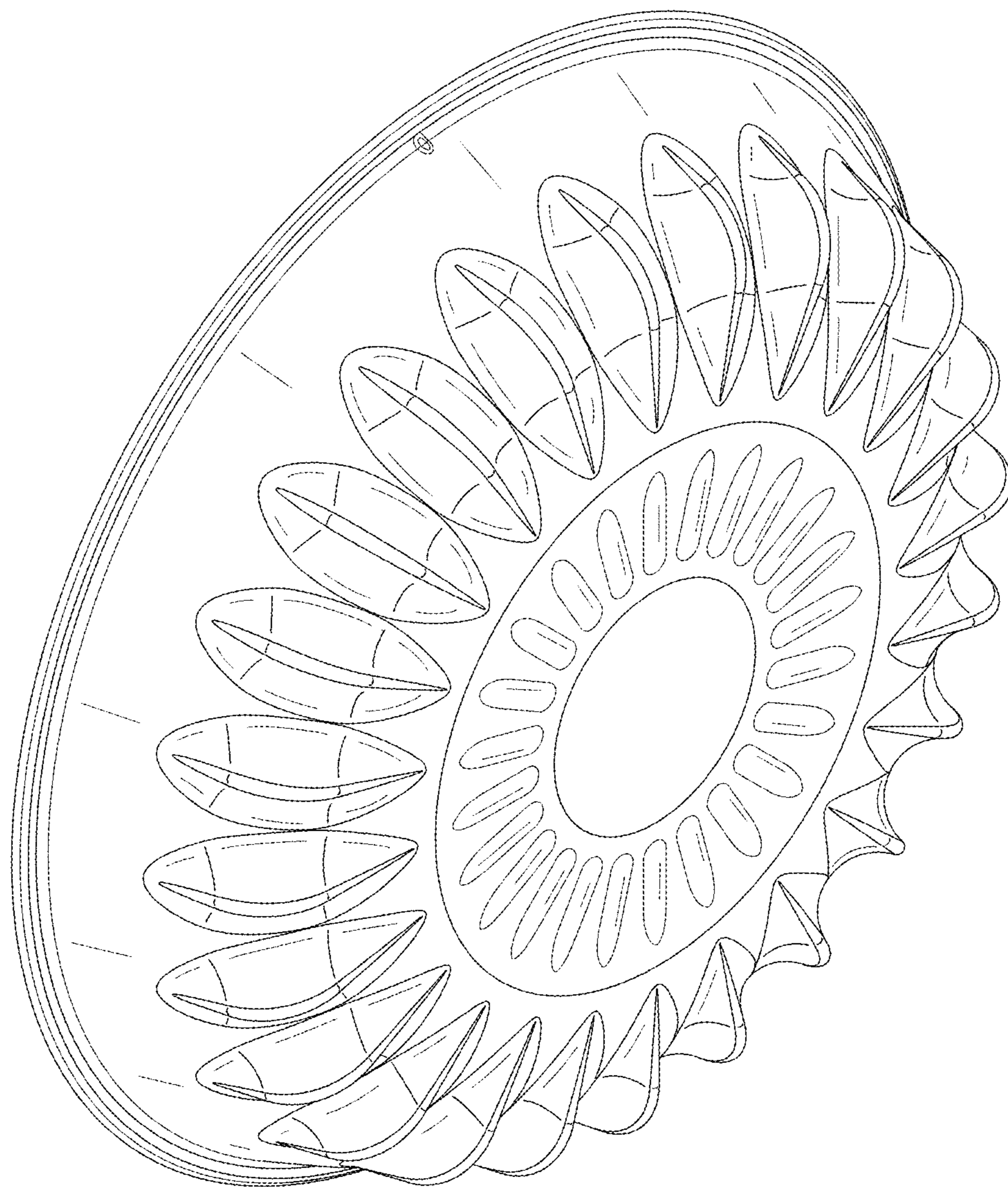


FIG. 34

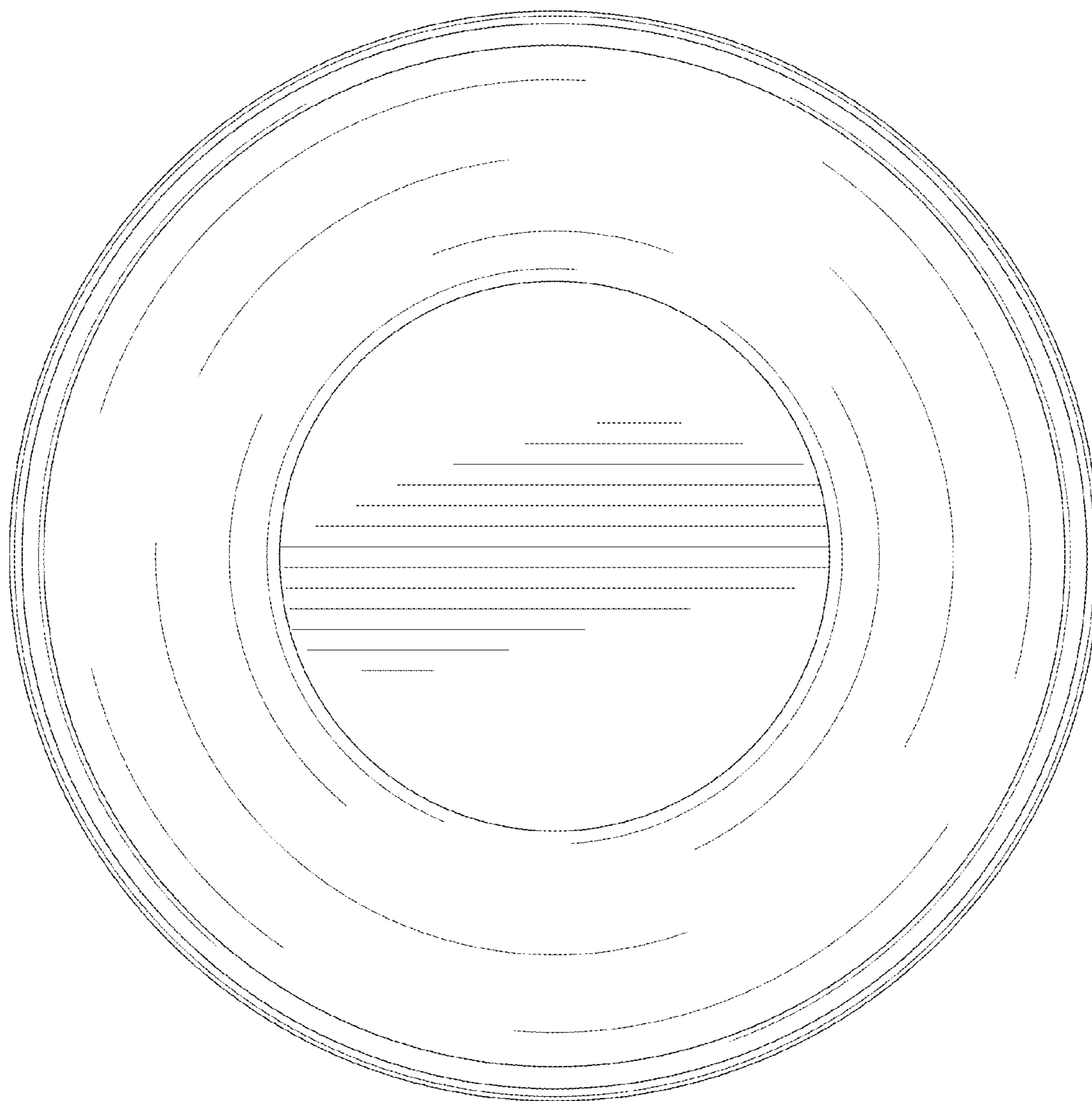


FIG. 35

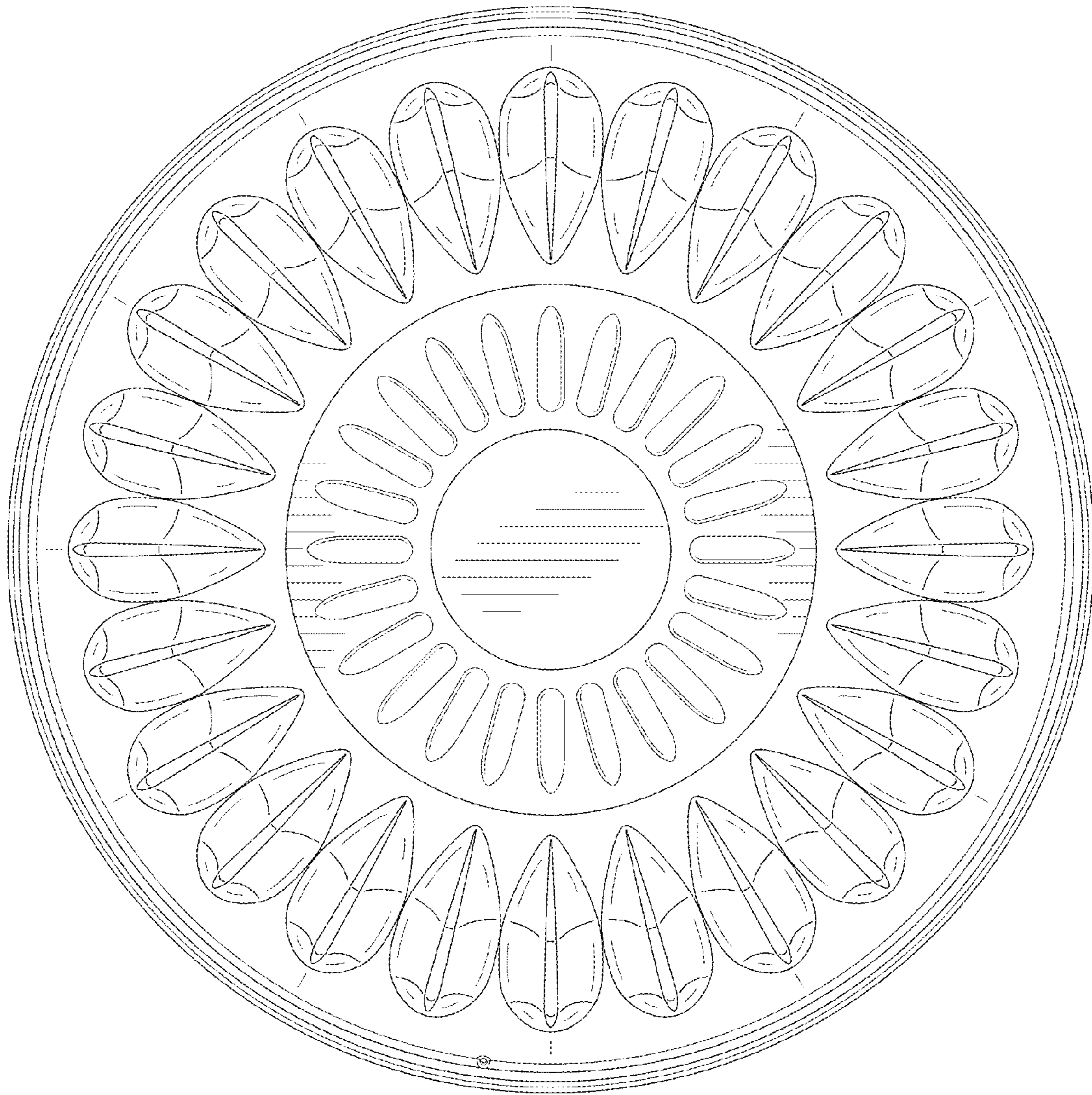


FIG. 36

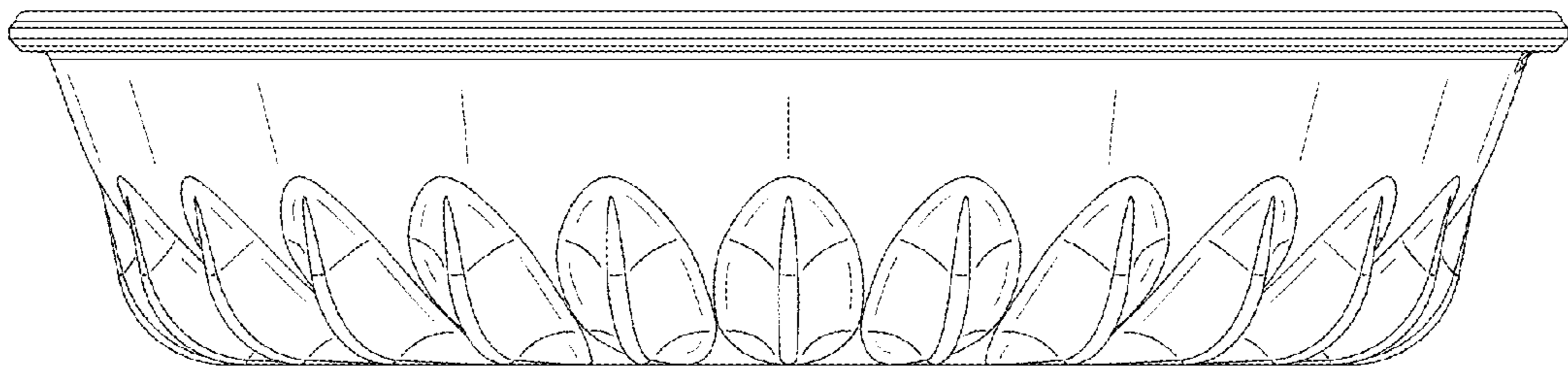


FIG. 37

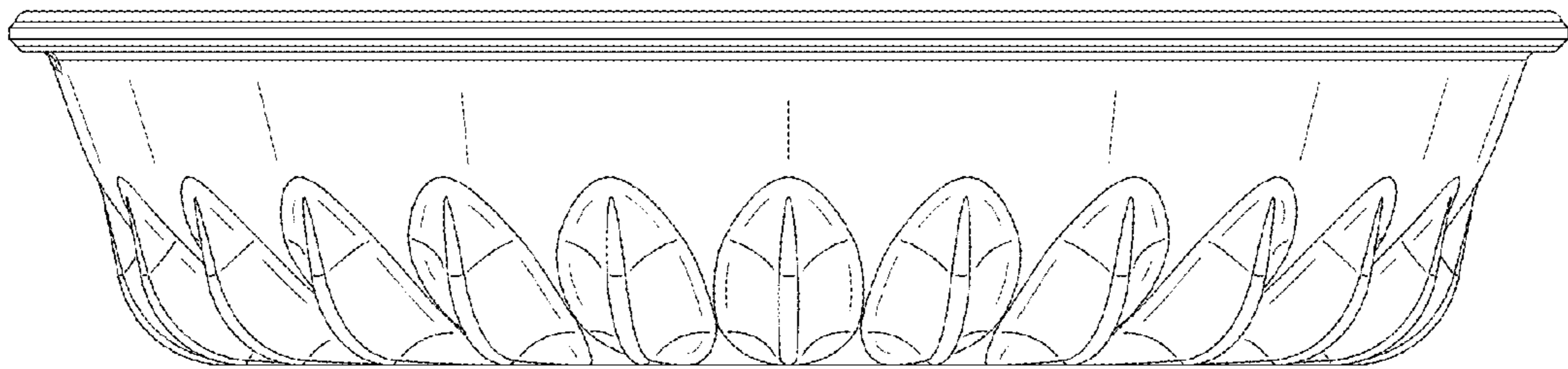


FIG. 38

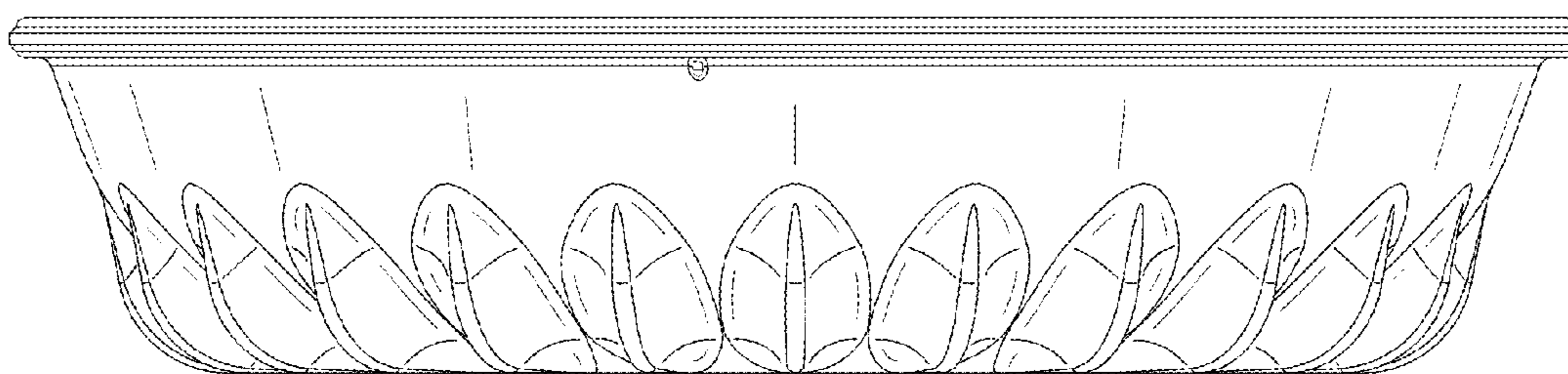


FIG. 39

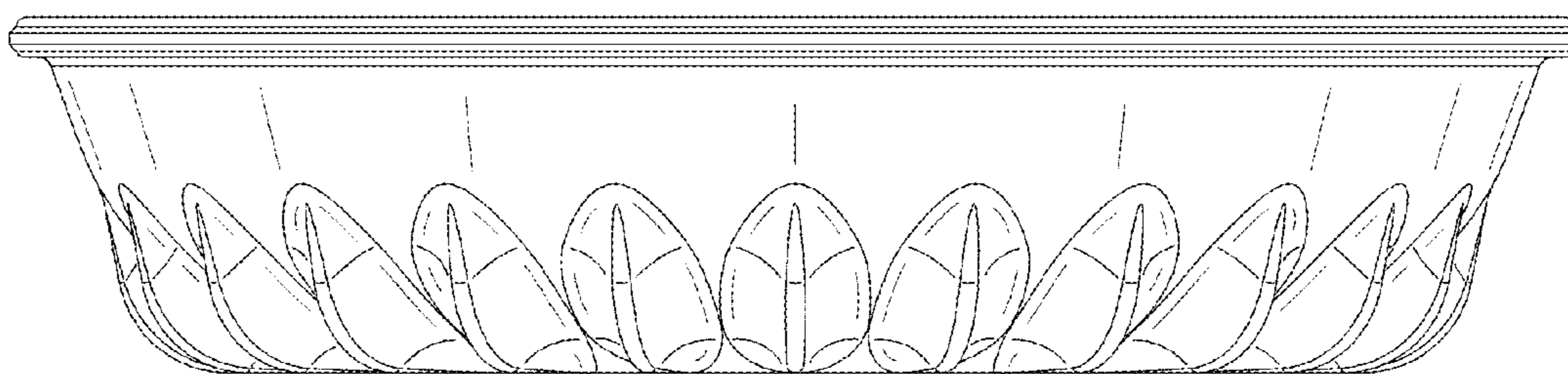


FIG. 40