



US00D745800S

(12) **United States Design Patent**
Exley

(10) **Patent No.:** **US D745,800 S**

(45) **Date of Patent:** **** Dec. 22, 2015**

(54) **MICROWAVEABLE EGG MAKER**
(71) Applicant: **ONTEL PRODUCTS CORPORATION**, Fairfield, NJ (US)

(72) Inventor: **Ross Exley**, Fairfield, NJ (US)

(73) Assignee: **ONTEL PRODUCTS CORPORATION**, Fairfield, NJ (US)

(**) Term: **14 Years**

(21) Appl. No.: **29/492,442**

(22) Filed: **May 30, 2014**

(51) **LOC (10) Cl.** **07-02**

(52) **U.S. Cl.**
USPC **D7/354**

(58) **Field of Classification Search**
USPC D7/323, 352-361, 500, 503, 538
CPC ... A01K 41/02; A01K 41/023; A01K 41/026;
A01K 41/06; A21B 5/02; A21B 5/026;
A21B 5/04; A23B 5/00; A23B 5/005; A23B
5/0052; A47J 27/00; A47J 27/004; A47J
29/00; A47J 29/02; A47J 29/04; A47J 29/06;
A47J 36/025; A47J 36/06; A47J 36/12;
A47J 37/101; A47J 43/283; B65D 43/162
See application file for complete search history.

(56) **References Cited**

U.S. PATENT DOCUMENTS

1,264,475 A * 4/1918 Baker 220/4.22
D134,334 S * 11/1942 Kapner et al. D7/538
D173,897 S * 1/1955 Cunningham D7/356
D231,069 S * 4/1974 Boldt D7/356
D252,493 S * 7/1979 Barradas D7/361
D253,218 S * 10/1979 Johnson D7/356
4,413,167 A 11/1983 Martel
4,486,640 A 12/1984 Bowen

4,847,459 A 7/1989 Desai
4,908,487 A 3/1990 Sarnoff
D339,501 S * 9/1993 Haynes D7/361
5,293,021 A 3/1994 Davis
D441,596 S 5/2001 Fernandez
6,329,004 B1 12/2001 Fernandez
6,508,166 B1 * 1/2003 Hennessey 99/355
D479,944 S * 9/2003 Hennessey D7/352
8,101,219 B2 1/2012 Halpern
D682,008 S * 5/2013 Shahani D7/352
D693,168 S * 11/2013 Bart D7/352
D728,990 S * 5/2015 Torre D7/352
2002/0041920 A1 4/2002 Fernandez
2006/0029716 A1 2/2006 Harker
2007/0068955 A1 * 3/2007 Tetreault et al. 220/573.1

FOREIGN PATENT DOCUMENTS

JP 2012011078 A 1/2012

* cited by examiner

Primary Examiner — Ricky Pham

(74) *Attorney, Agent, or Firm* — Epstein Drangel LLP;
Robert L. Epstein

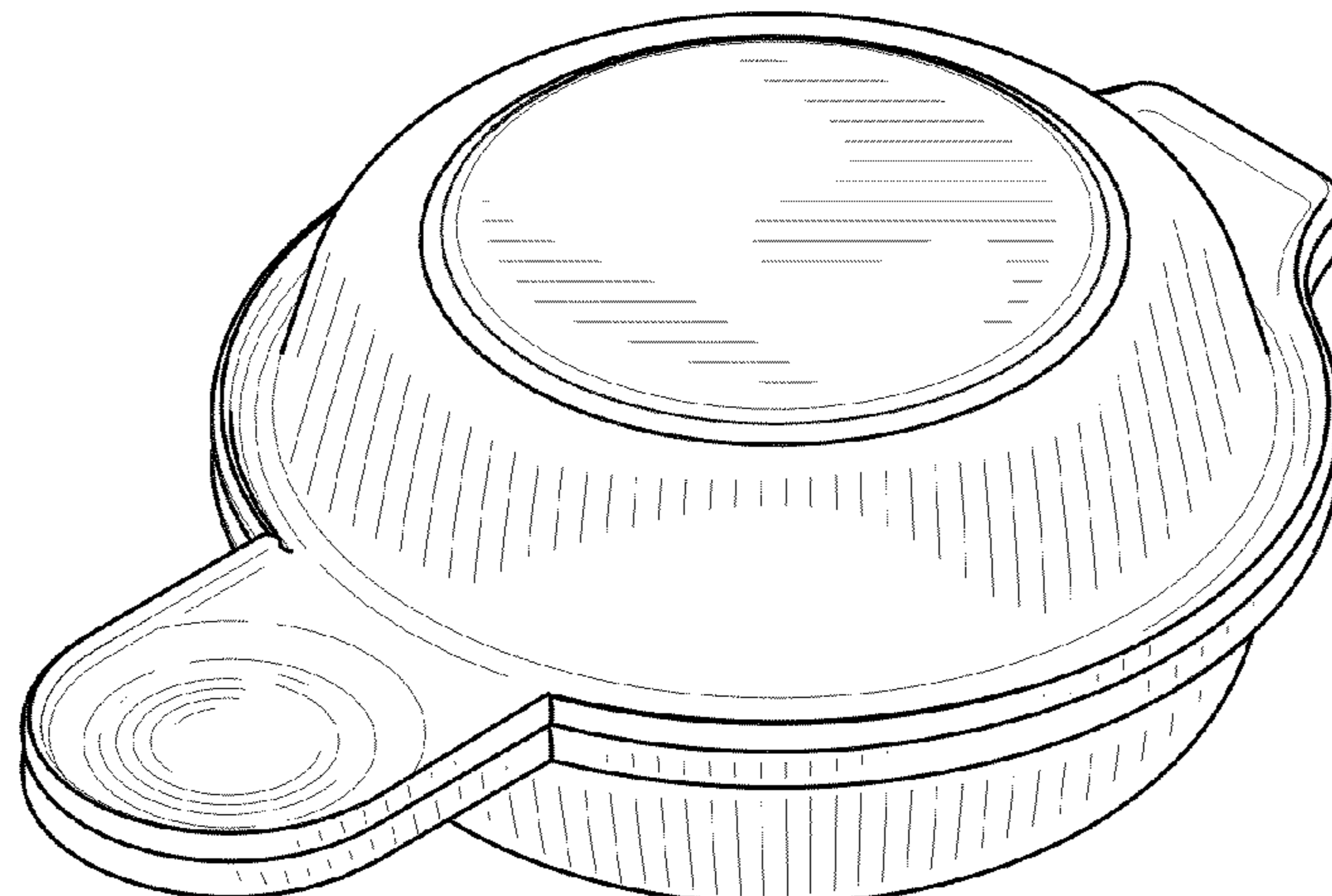
(57) **CLAIM**

The ornamental design for a microwaveable egg maker, substantially as shown and described.

DESCRIPTION

FIG. 1 is a top, front perspective view of a microwaveable egg maker of my design;
FIG. 2 is a bottom, front perspective view of my design;
FIG. 3 is a front elevational of my design;
FIG. 4 is a rear elevational of my design;
FIG. 5 is a left side elevational of my design;
FIG. 6 is a right side elevational of my design;
FIG. 7 is a plan view showing the top of my design; and,
FIG. 8 is a plan view showing the bottom of my design.

1 Claim, 4 Drawing Sheets



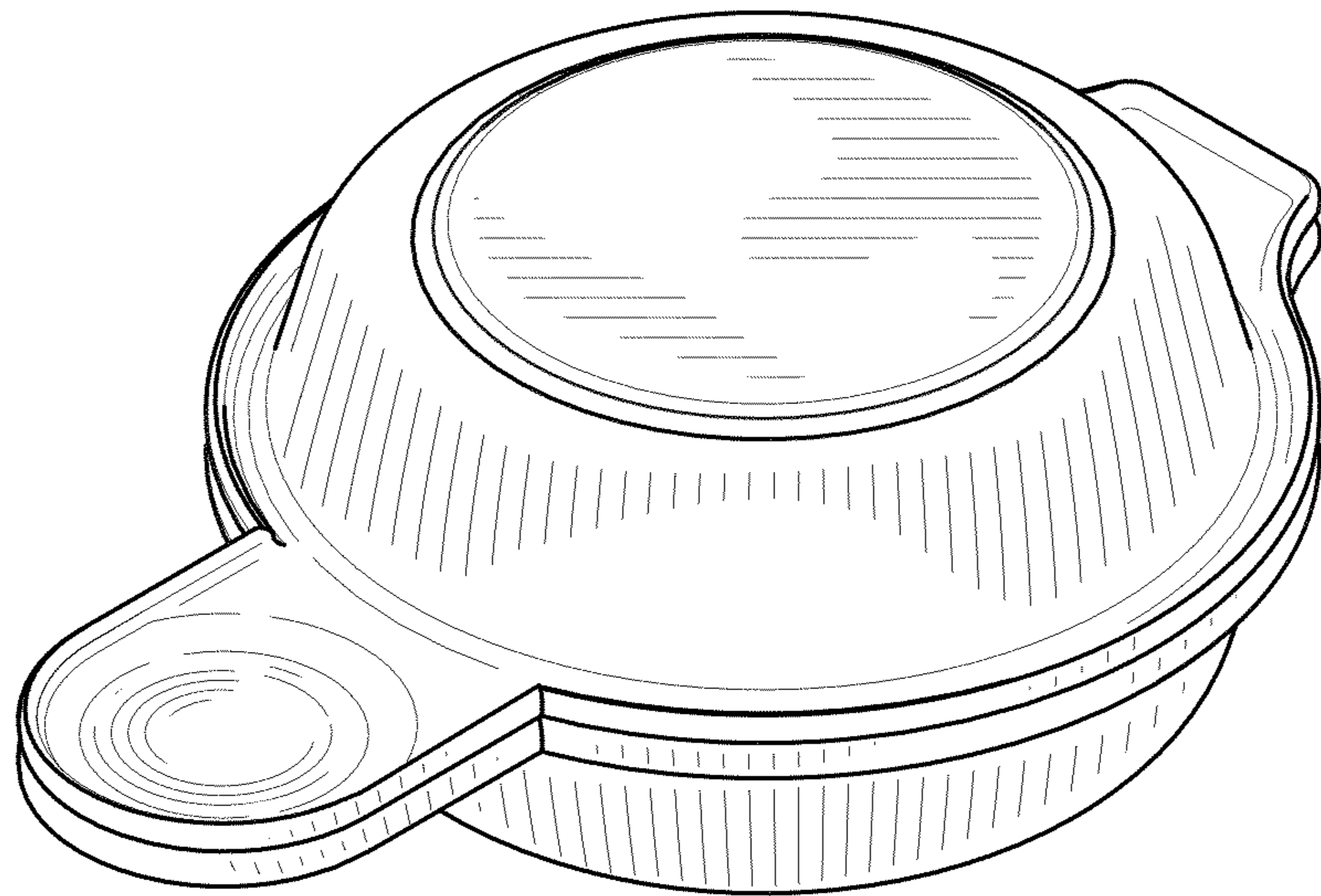


FIG. 1

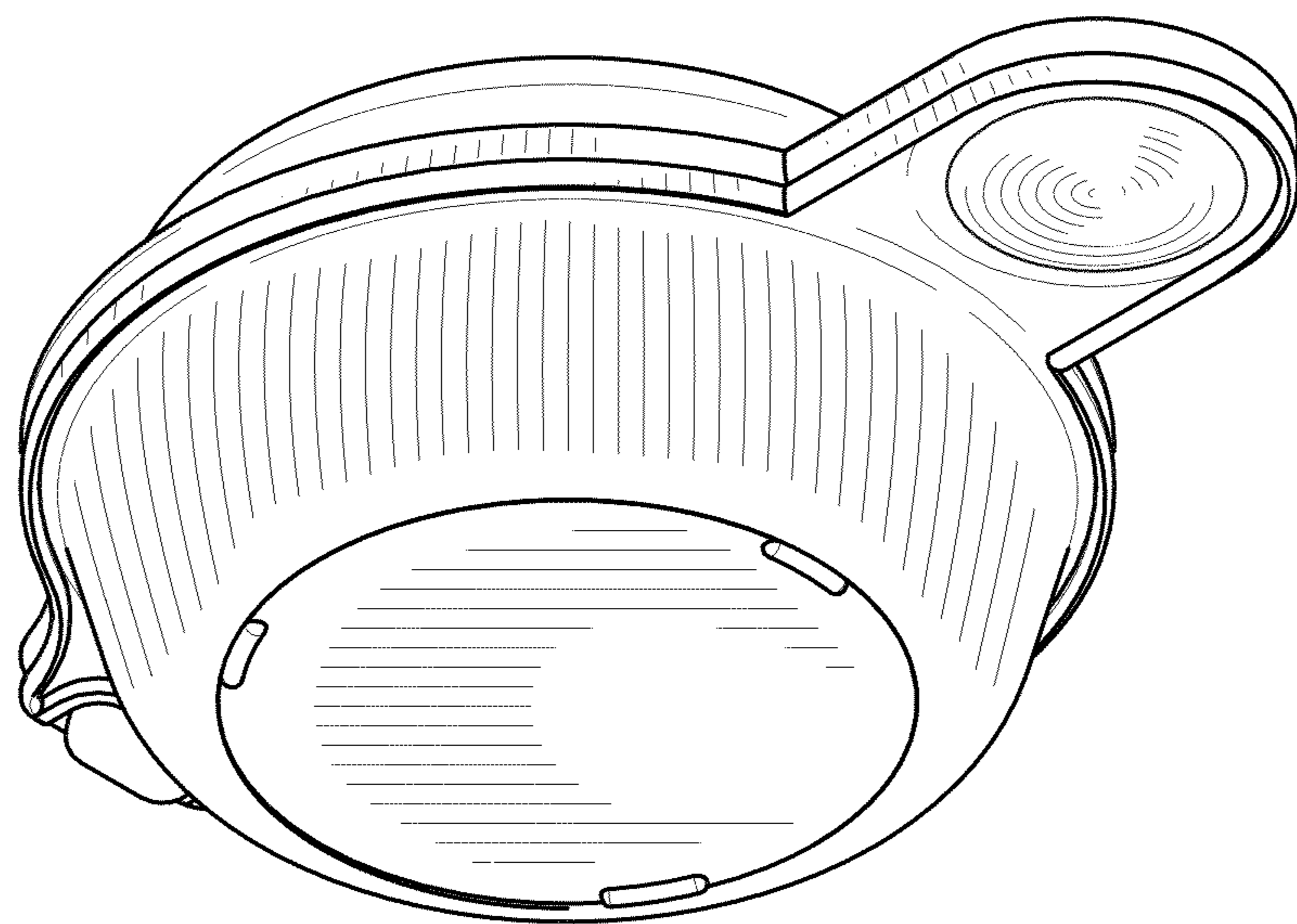


FIG. 2

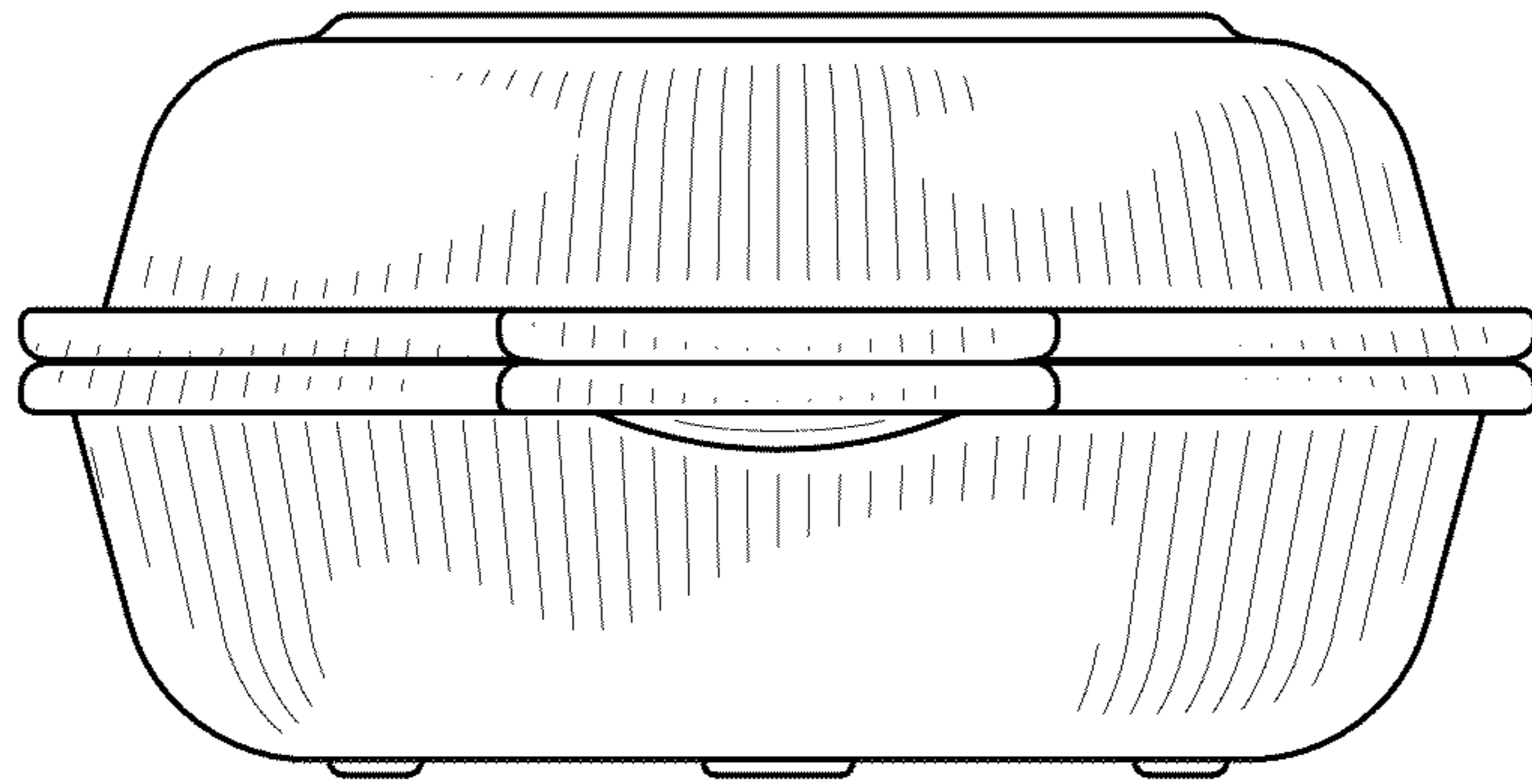


FIG. 3

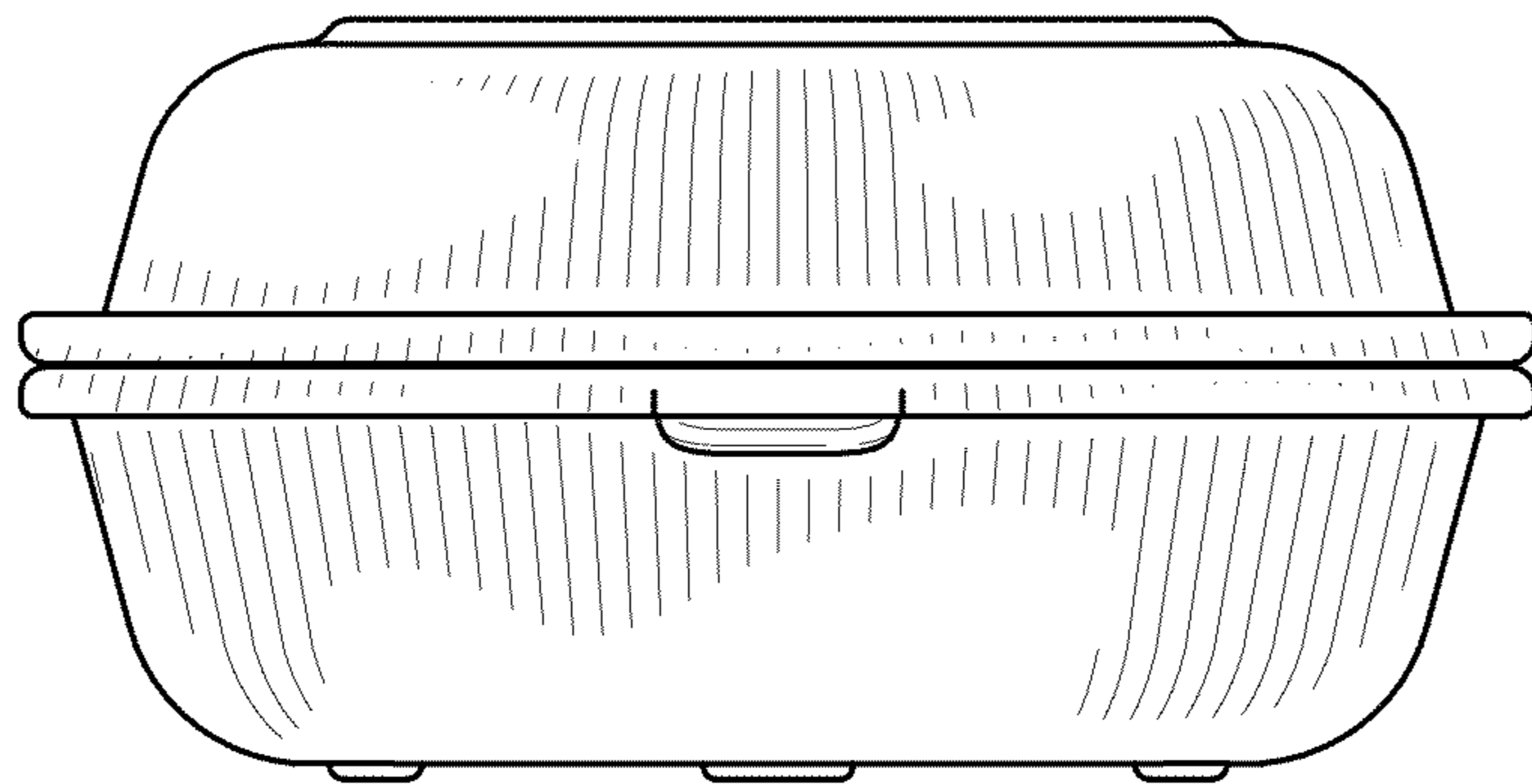


FIG. 4

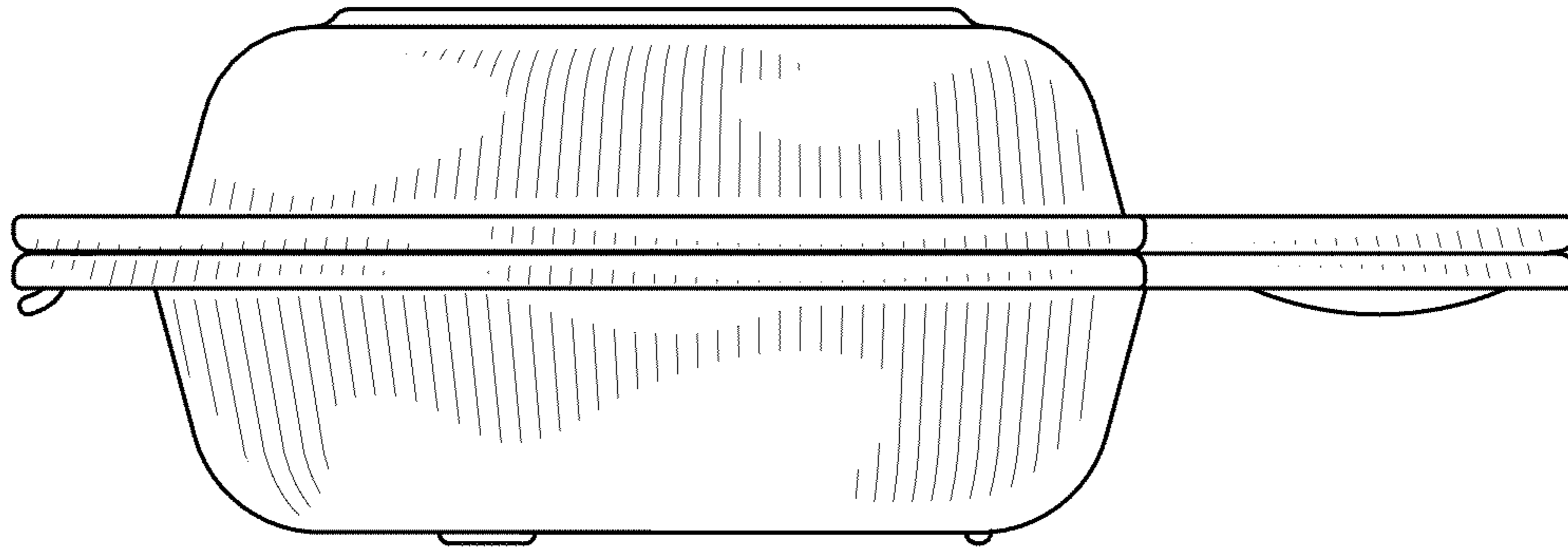


FIG. 5

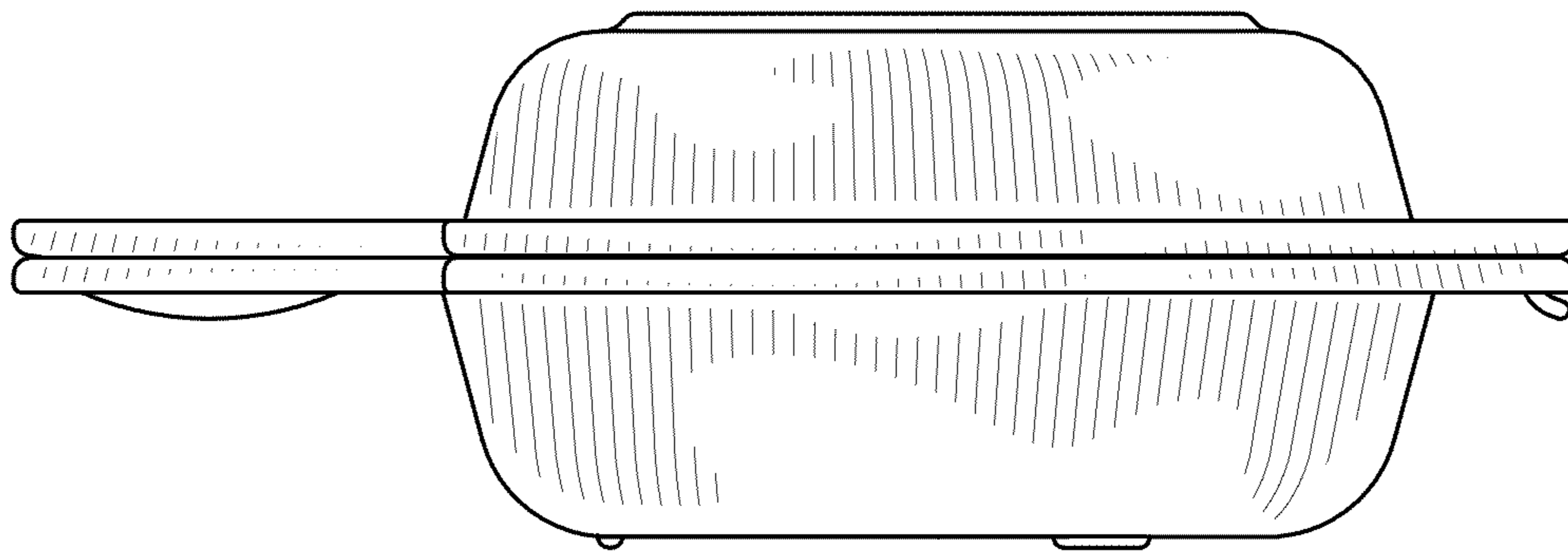


FIG. 6

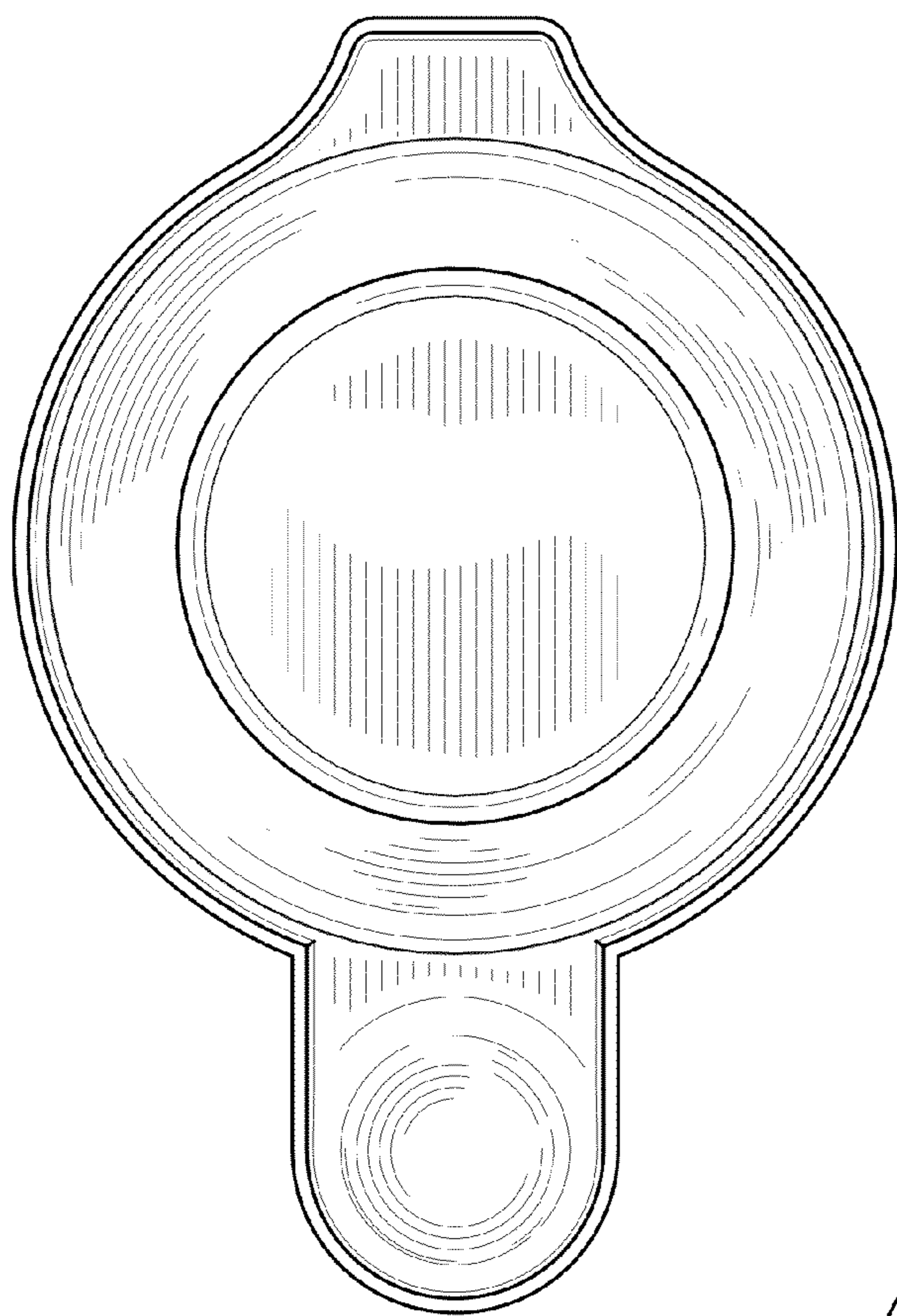


FIG. 7

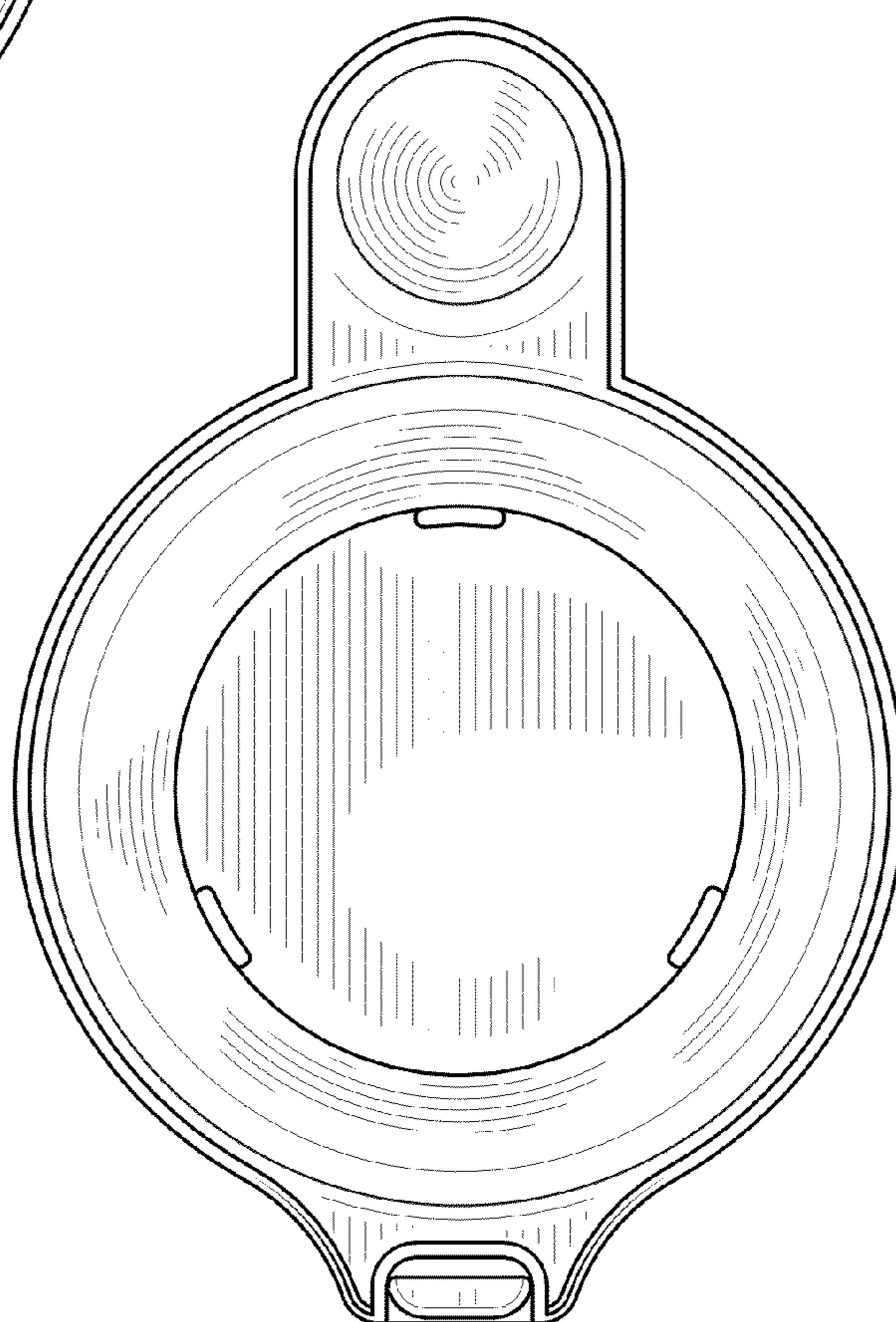


FIG. 8