



US00D745796S

(12) **United States Design Patent**  
**Zeidner et al.**

(10) **Patent No.:** **US D745,796 S**

(45) **Date of Patent:** **\*\* Dec. 22, 2015**

(54) **REUSABLE SHELF DIVIDER**

(71) Applicants: **Daniel Zeidner**, East Quogue, NY (US);  
**Jason T. Eltman**, Fayetteville, NY (US)

(72) Inventors: **Daniel Zeidner**, East Quogue, NY (US);  
**Jason T. Eltman**, Fayetteville, NY (US)

(\*\*) Term: **14 Years**

(21) Appl. No.: **29/476,597**

(22) Filed: **Dec. 16, 2013**

(51) **LOC (10) Cl.** ..... **06-04**

(52) **U.S. Cl.**  
USPC ..... **D6/706**

(58) **Field of Classification Search**  
USPC ..... D6/706, 702, 705.7, 329, 312, 391, 392,  
D6/512, 574; D8/380, 381, 349, 354;  
D12/223; D25/120, 126; 211/184, 183,  
211/59.1, 59.2, 86.01, 90.01, 153, 175;  
312/348.3; 108/60  
CPC ..... A47F 5/005; A47F 5/0068; A47F 5/0043;  
A47B 57/58; A47B 57/585  
See application file for complete search history.

(56) **References Cited**

U.S. PATENT DOCUMENTS

4,488,653	A *	12/1984	Belokin	211/184
4,775,058	A *	10/1988	Yatsko	211/184
4,896,779	A *	1/1990	Jureckson	211/184
5,161,704	A *	11/1992	Valiulis	211/184
5,341,945	A *	8/1994	Gibson	211/184
5,738,019	A *	4/1998	Parker	108/108
5,803,276	A *	9/1998	Vogler	211/184
D495,539	S *	9/2004	Sjoberg	D6/509
D592,945	S *	5/2009	Mahan	D8/381

(Continued)

*Primary Examiner* — Eric Goodman  
*Assistant Examiner* — Clese Moore, Jr.

(57) **CLAIM**

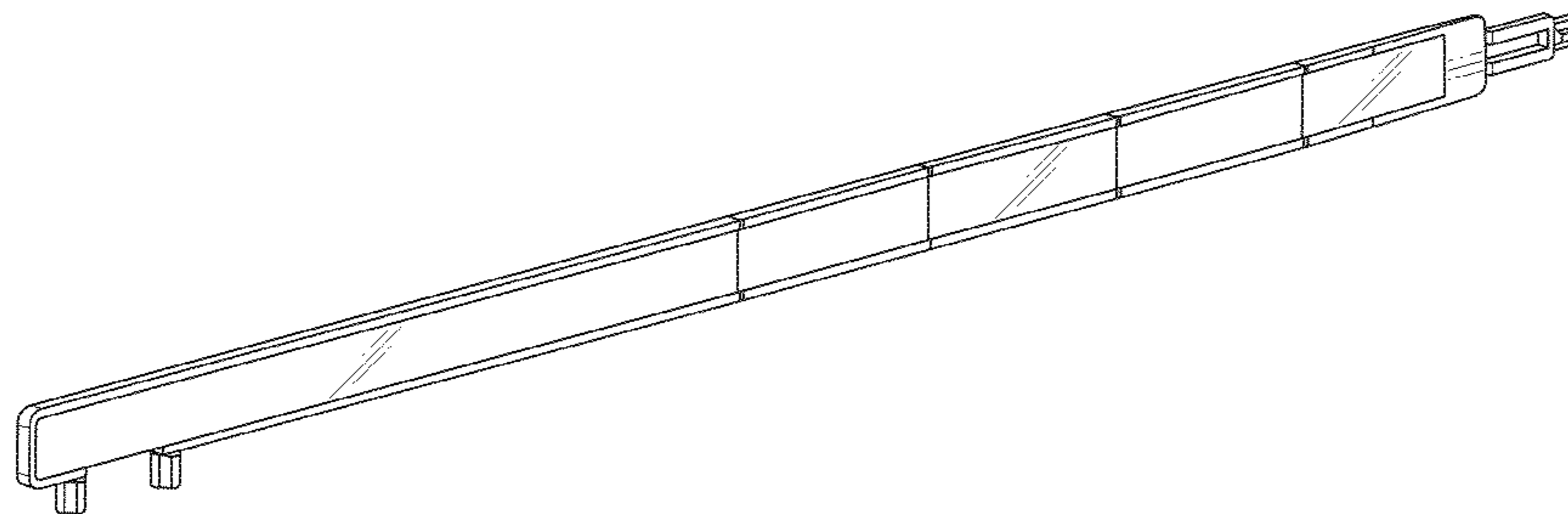
The inventors claim the ornamental design for the reusable shelf divider, as shown and described.

**DESCRIPTION**

FIG. 1 is a perspective view of the preferred design;  
 FIG. 2 is a right side elevational view thereof;  
 FIG. 3 is a left side elevational view, which is a mirror image of FIG. 2 thereof;  
 FIG. 4 is a sectional view of the reusable shelf divider I-Beam along '4-4';  
 FIG. 5 is a right side elevational view thereof;  
 FIG. 6 is an enlarged view of an encircled portion shown in FIG. 5;  
 FIG. 7 is an enlarged view of an encircled portion shown in FIG. 5;  
 FIG. 8 is a top plan view thereof;  
 FIG. 9 is a bottom plan view thereof;  
 FIG. 10 is an enlarged view of an encircled portion shown in FIG. 9;  
 FIG. 11 is an enlarged view of an encircled portion shown in FIG. 9;  
 FIG. 12 is an enlarged perspective rear view aligned for insertion on the shelf with receptacle in position; and,  
 FIG. 13 is an enlarged perspective rear view of the reusable shelf divider as installed;  
 FIG. 14 is a perspective view of the reusable shelf divider as installed on a shelf;  
 FIG. 15 is an enlarged view of an encircled portion shown in FIG. 14;  
 FIG. 16 is right side elevational view of the reusable shelf divider in an alternate design;  
 FIG. 17 is an enlarged view of an encircled portion shown in FIG. 16;  
 FIG. 18 is an enlarged view of an encircled portion shown in FIG. 16;  
 FIG. 19 is an enlarged bottom plan front view thereof;  
 FIG. 20 is an enlarged bottom plan rear view thereof;  
 FIG. 21 is an enlarged perspective rear view aligned for insertion on the shelf with receptacle in position; and,  
 FIG. 22 is an enlarged perspective rear view of the reusable shelf divider as installed.

The broken lines shown illustrate environmental structure and form no part of the claimed design.

**1 Claim, 12 Drawing Sheets**



(56)

**References Cited**

U.S. PATENT DOCUMENTS

D596,431 S \* 7/2009 Berger ..... D6/510  
D617,125 S \* 6/2010 Erickson ..... D6/511  
D638,687 S \* 5/2011 Minkley et al. .... D8/349  
D685,215 S \* 7/2013 Berger ..... D6/706

D707,994 S \* 7/2014 Le ..... D6/706  
D713,662 S \* 9/2014 Byrne et al. .... D6/706  
2003/0066811 A1\* 4/2003 Dimattio et al. .... 211/59.2  
2005/0150847 A1\* 7/2005 Hawkinson ..... 211/59.2  
2011/0290746 A1\* 12/2011 Lu ..... 211/26

\* cited by examiner

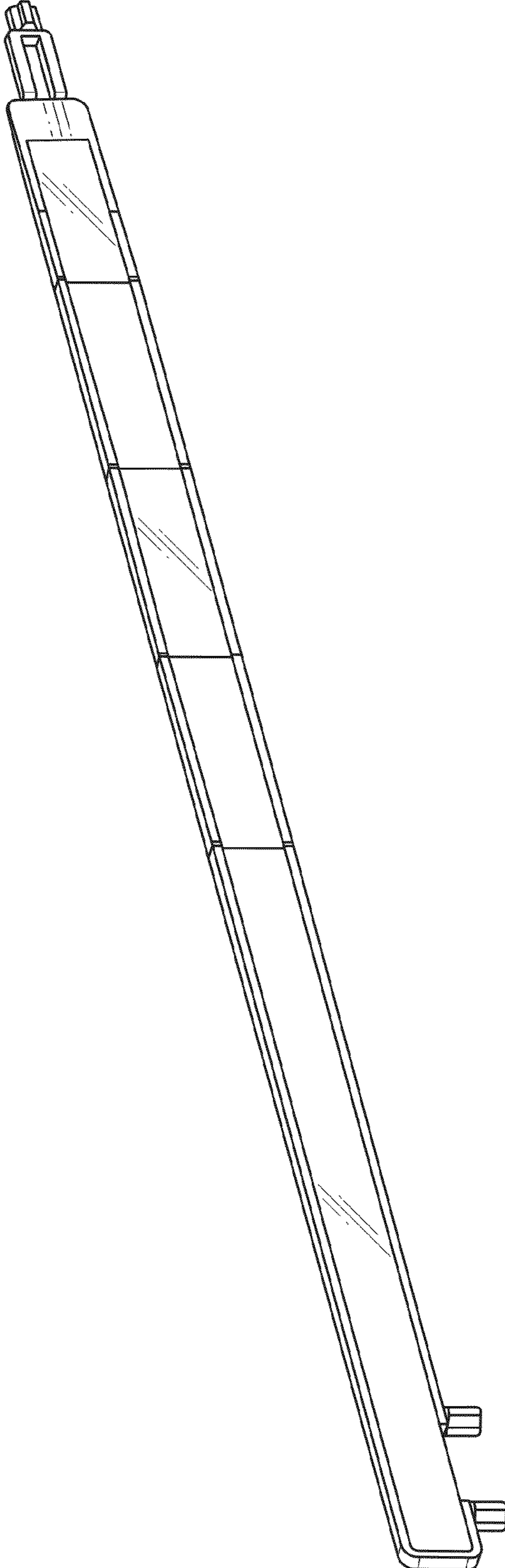


FIG. 1



FIG. 2

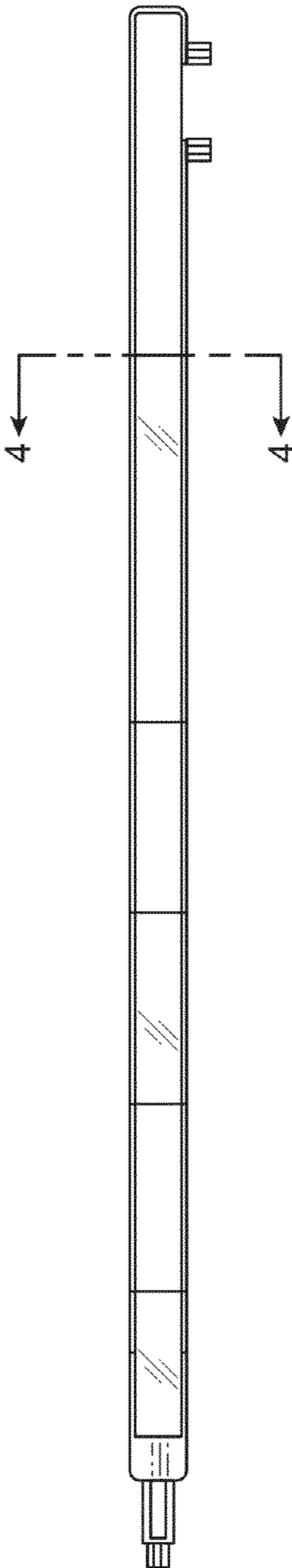


FIG. 3

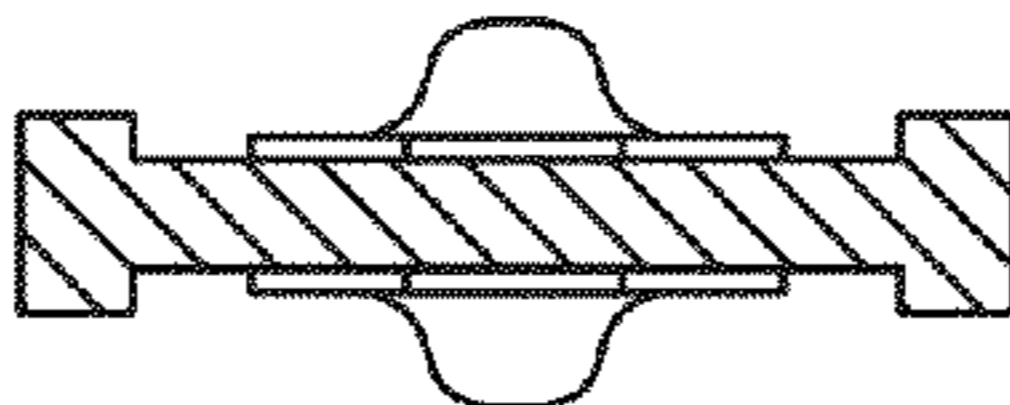


FIG. 4

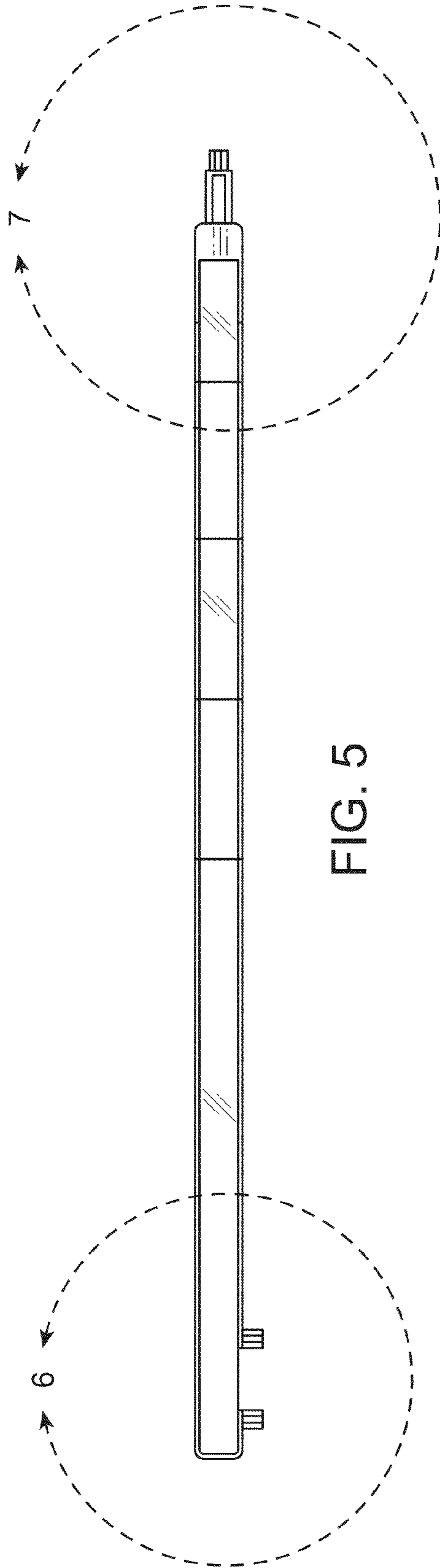


FIG. 5

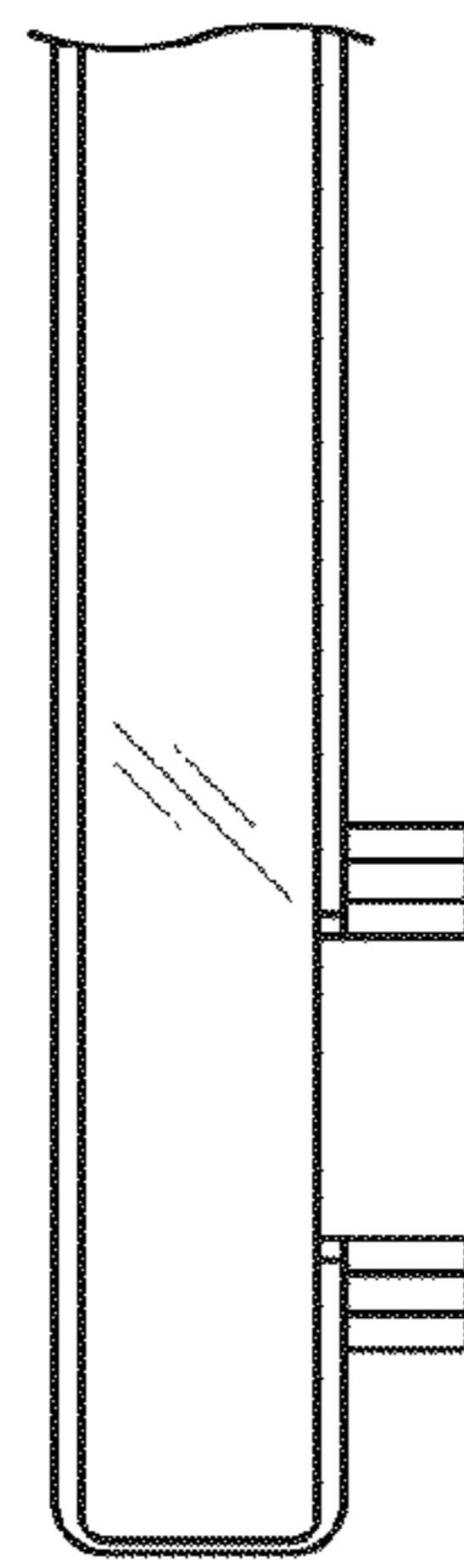


FIG. 6

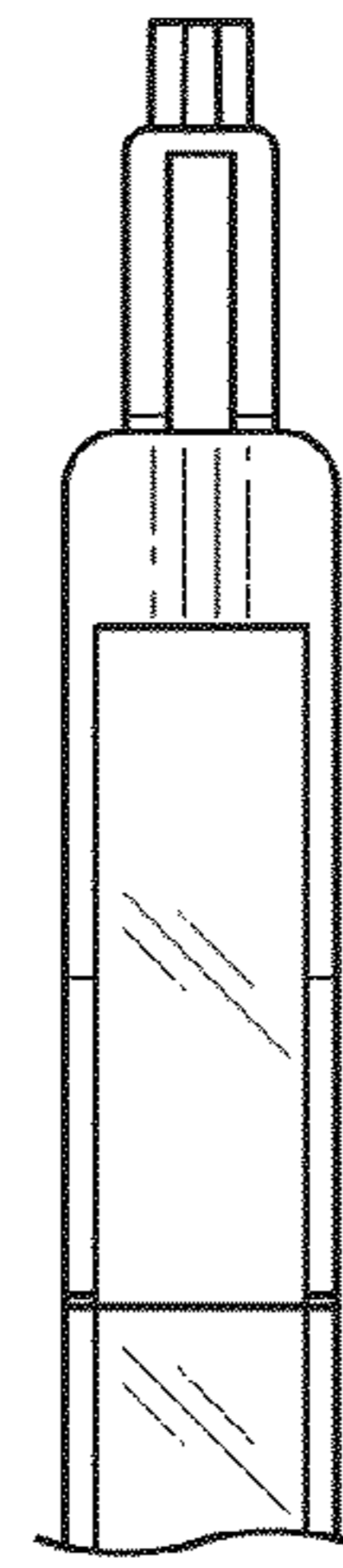


FIG. 7



FIG. 8

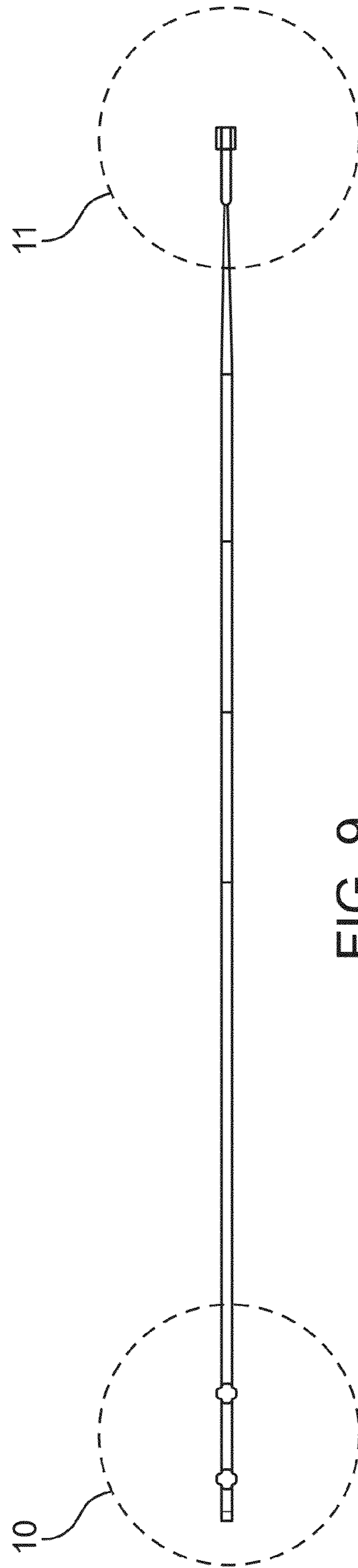


FIG. 9

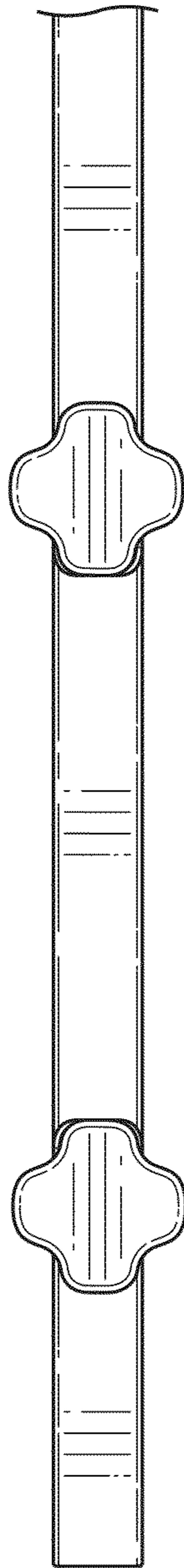


FIG. 10

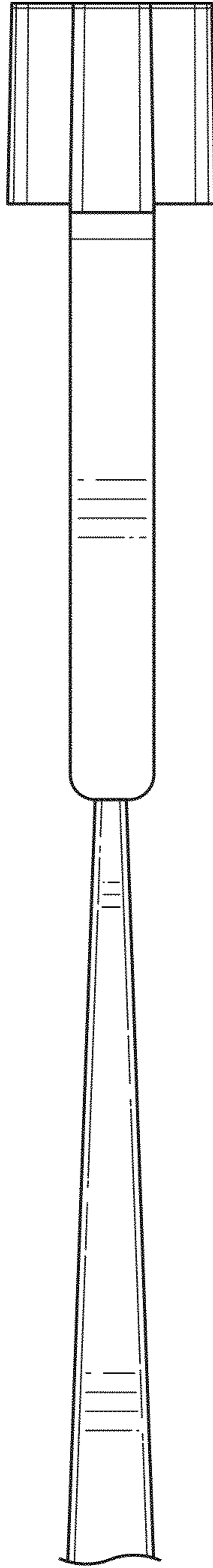


FIG. 11



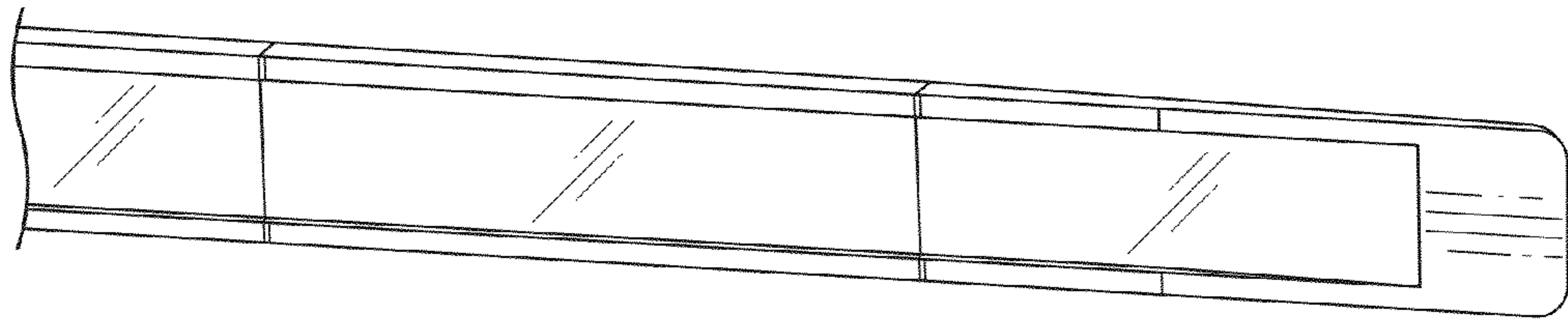


FIG. 12

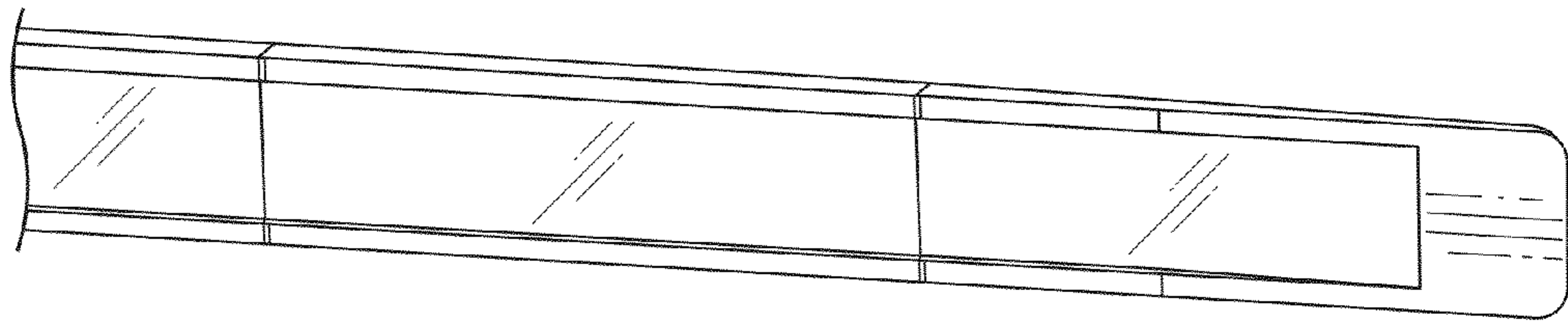


FIG. 13

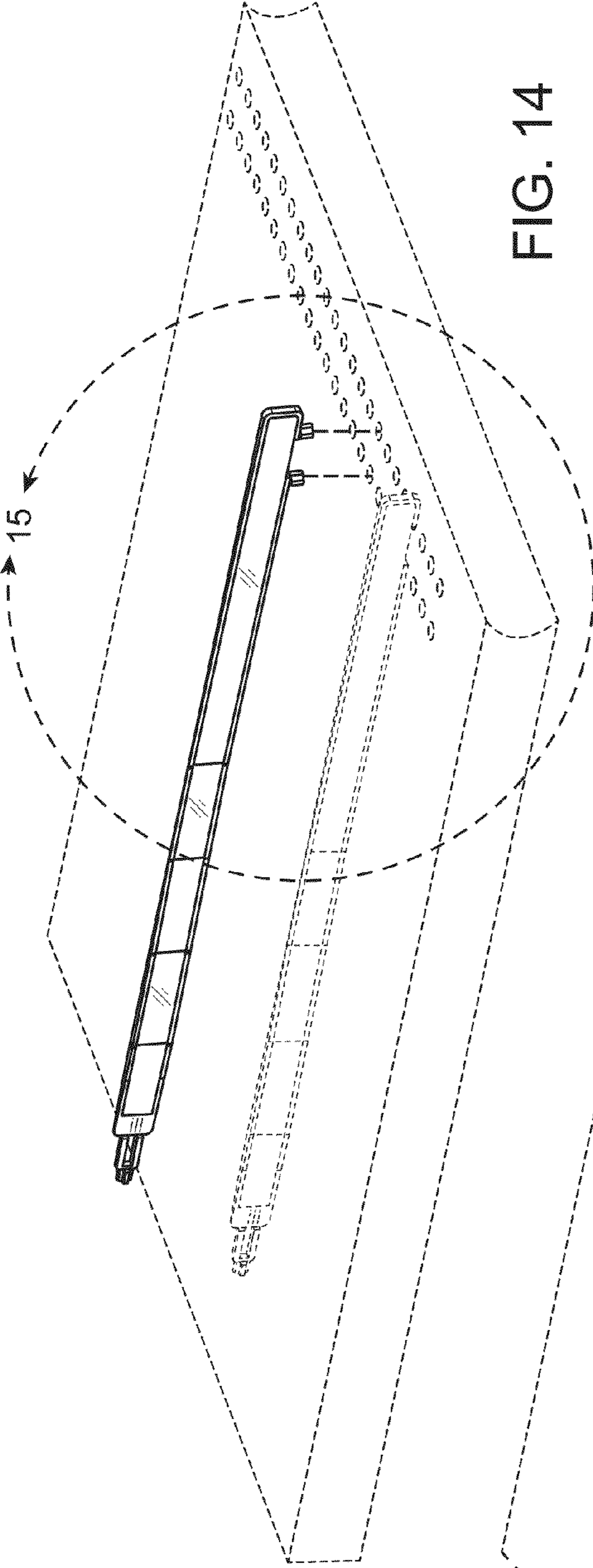


FIG. 14

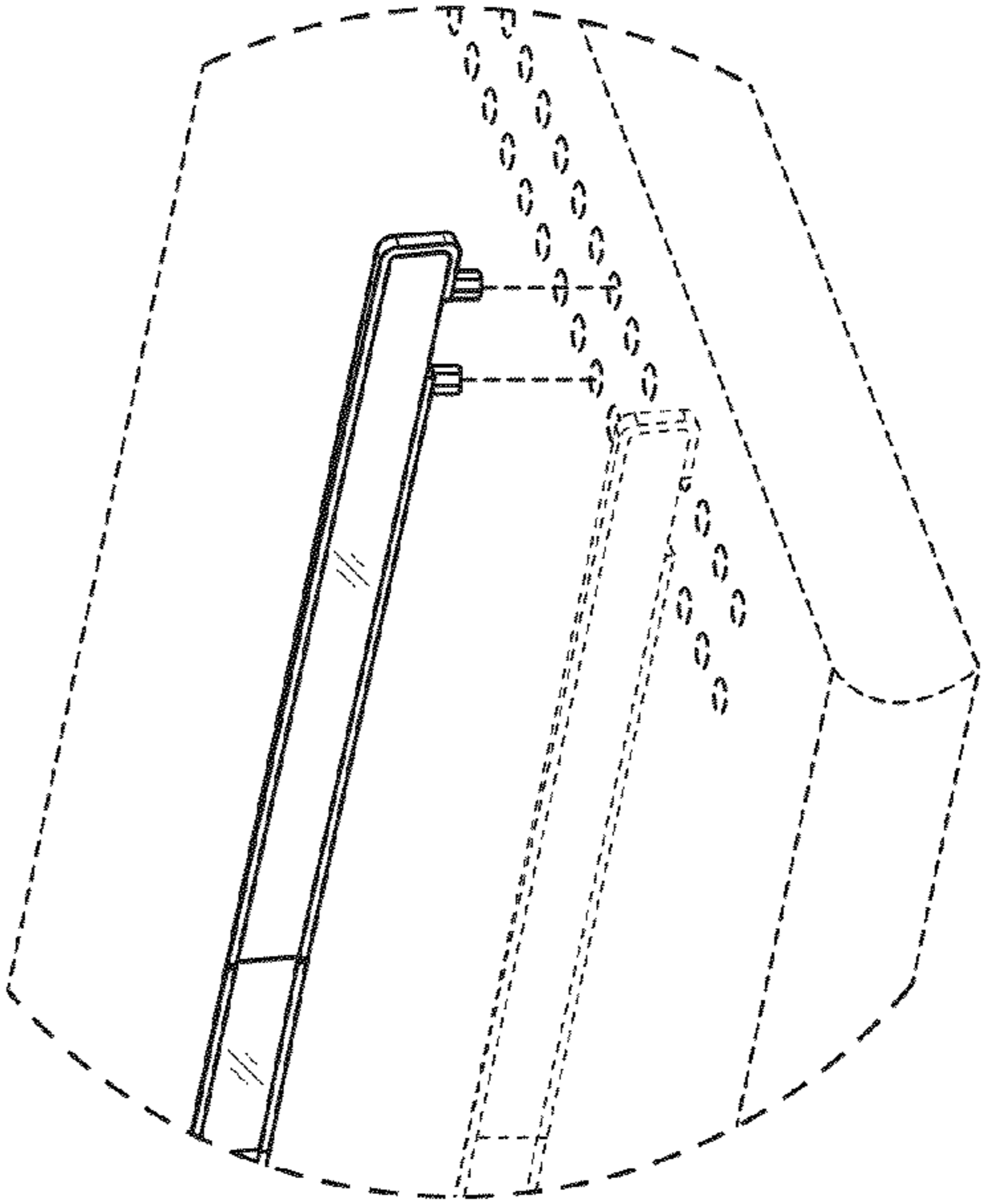


FIG. 15

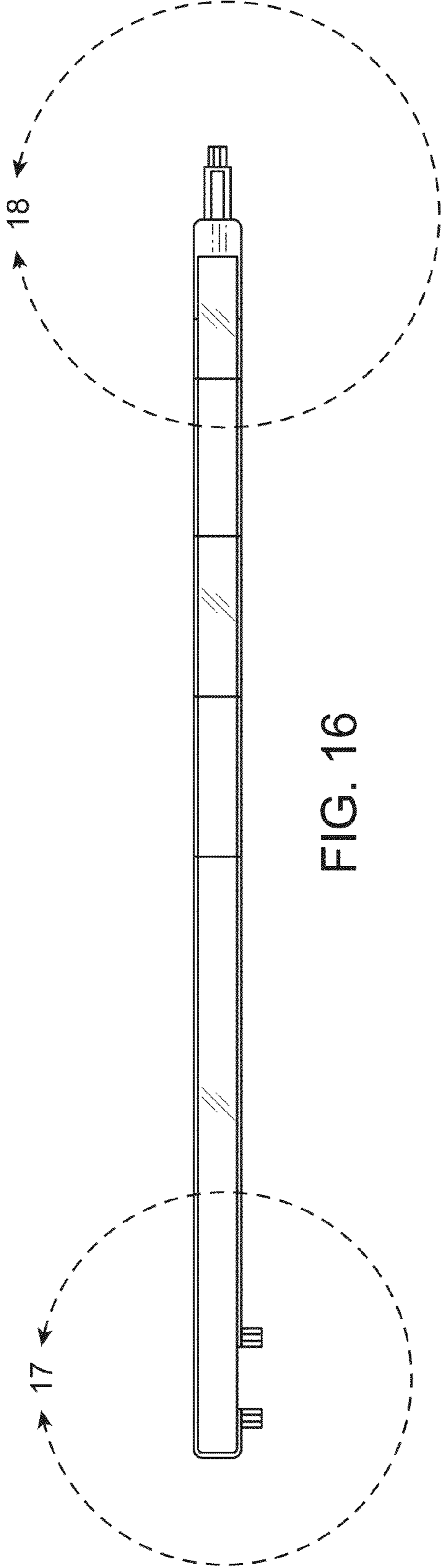


FIG. 16

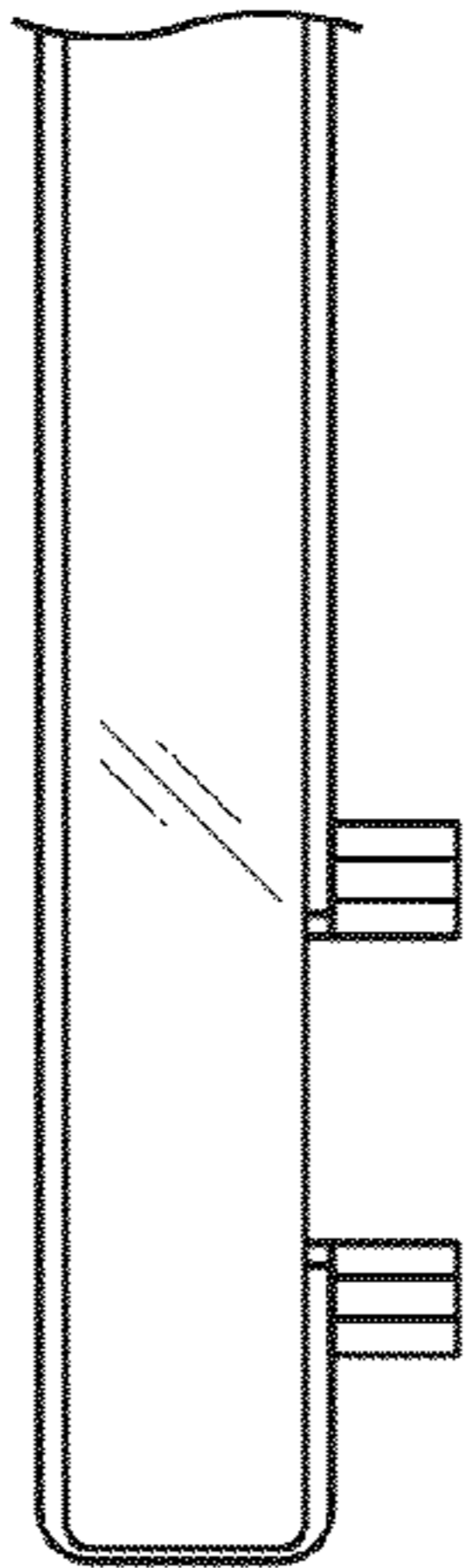


FIG. 17

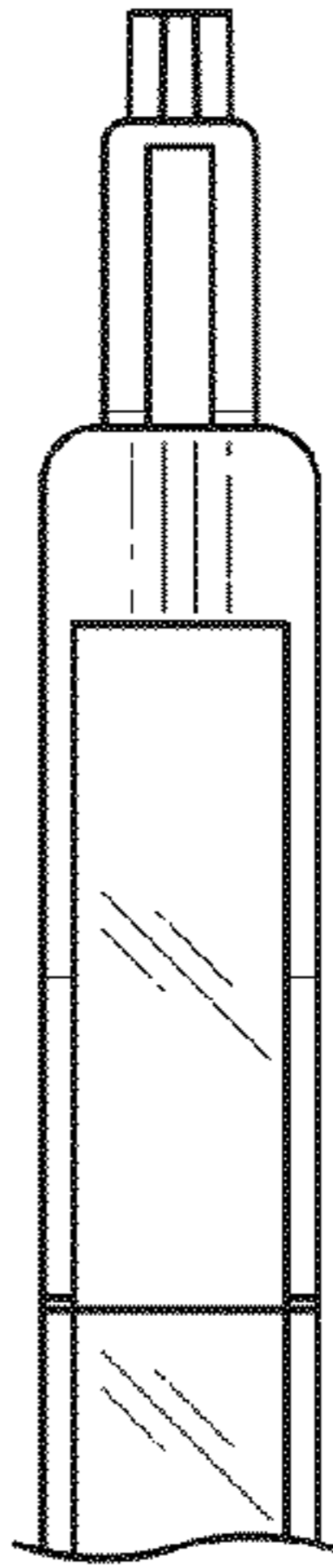


FIG. 18

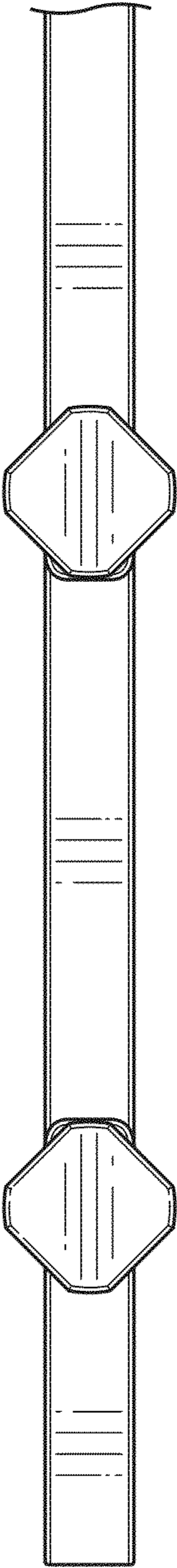


FIG. 19

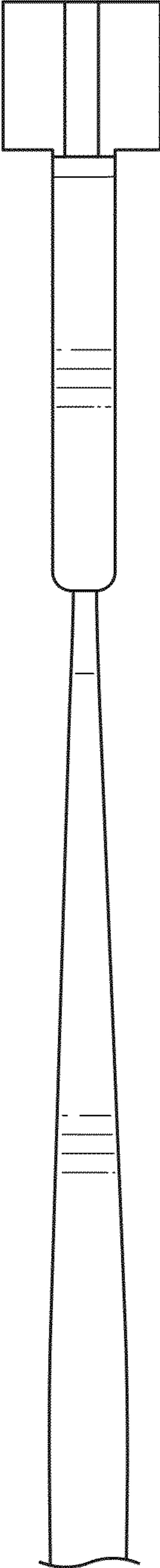


FIG. 20

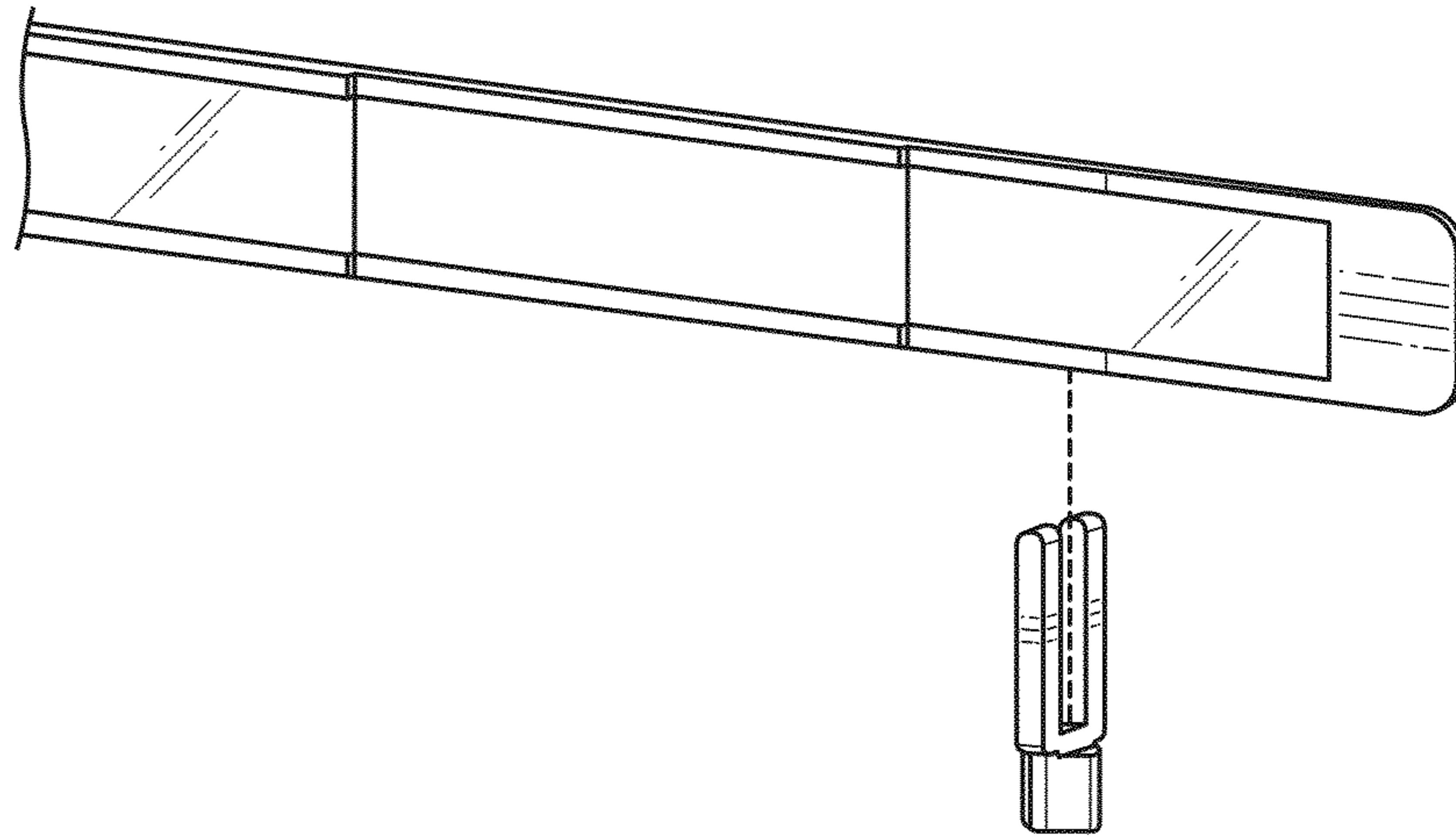


FIG. 21

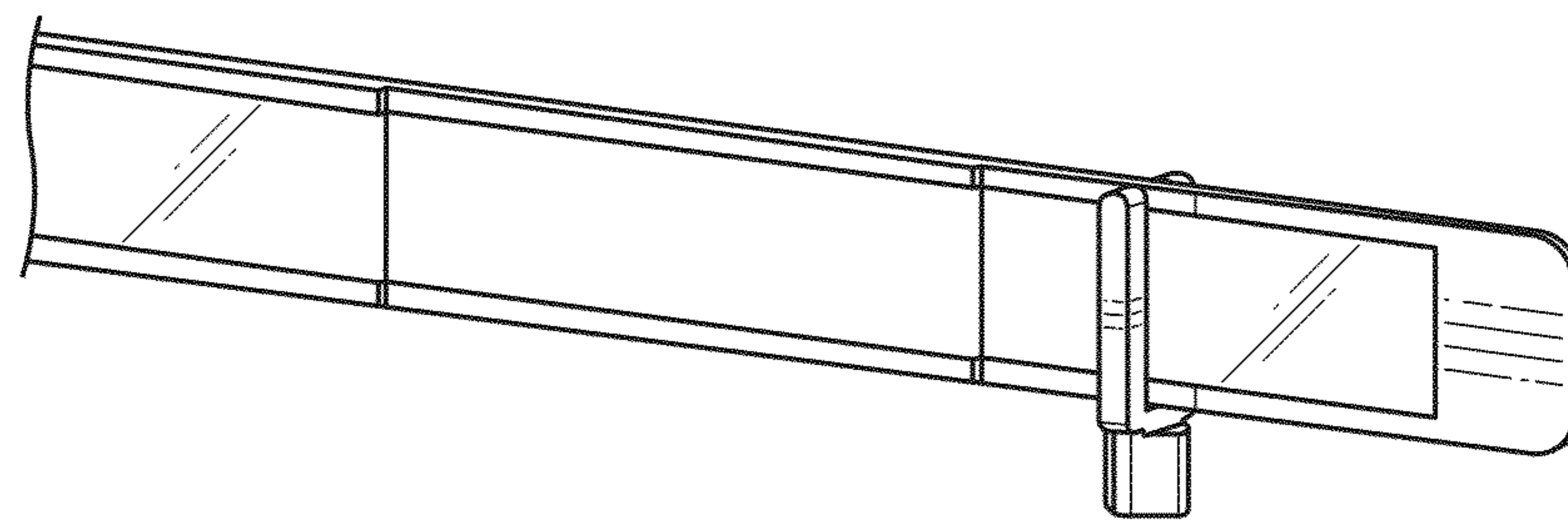


FIG. 22