



US00D745794S

(12) **United States Design Patent**
Knoll et al.

(10) **Patent No.:** **US D745,794 S**
(45) **Date of Patent:** **** Dec. 22, 2015**

- (54) **DISPLAY FIXTURE**
- (71) Applicant: **Target Brands, Inc.**, Minneapolis, MN (US)
- (72) Inventors: **Mitchell Knoll**, Eagan, MN (US);
Timothy J. Martell, Brooklyn Park, MN (US)
- (73) Assignee: **Target Brands, Inc.**, Minneapolis, MN (US)
- (**) Term: **14 Years**
- (21) Appl. No.: **29/492,081**
- (22) Filed: **May 28, 2014**
- (51) **LOC (10) Cl.** **06-04**
- (52) **U.S. Cl.**
USPC **D6/681**
- (58) **Field of Classification Search**
USPC D6/681, 681.1, 681.2, 681.3, 672, 675,
D6/300, 310, 312, 329, 512; 211/85.26,
211/195; 248/454, 460, 188.2, 176.1, 166
CPC A47F 5/0025; A47F 5/0081; A47F 5/10;
A47F 5/16; A47B 97/00; A47B 97/02; F16M
11/00

See application file for complete search history.

(56) **References Cited**

U.S. PATENT DOCUMENTS

D269,751	S	*	7/1983	Rieman	D6/681.1
D295,806	S	*	5/1988	Wilson	D6/681
D346,081	S	*	4/1994	Turner	D6/681.1
D358,952	S	*	6/1995	Stein	D6/681.2
5,653,349	A	*	8/1997	Dana	F16B 12/34 211/189
D393,160	S	*	4/1998	Canton Gongora	D6/672
D466,331	S	*	12/2002	Chang	D6/681.1
D495,524	S	*	9/2004	Harwanko	D6/681.1
D543,382	S	*	5/2007	Glassenberg	D6/678.4
D571,131	S	*	6/2008	Clark	D6/702
D622,084	S	*	8/2010	Stukenberg	D6/682.6
D640,485	S	*	6/2011	Dugger	D6/681.1
D660,051	S	*	5/2012	Lin	D6/329
D670,103	S	*	11/2012	Johnson	D6/683
D690,139	S	*	9/2013	Trinh	D6/672

D693,478	S	*	11/2013	Irick	D24/158
D708,459	S	*	7/2014	Heirakuji	D6/675
8,959,813	B2	*	2/2015	Denby	A47F 5/10 211/175
D729,548	S	*	5/2015	Denby	D6/672
D729,554	S	*	5/2015	Denby	D6/681
D740,594	S	*	10/2015	Trinh	D6/672
2011/0079566	A1	*	4/2011	Nakamichi	F16M 11/20 211/85.26

OTHER PUBLICATIONS

Office Action from Canadian Patent Application No. 157,473, mailed Feb. 20, 2015 (2 pages).

* cited by examiner

Primary Examiner — Eric Goodman

Assistant Examiner — Clese Moore, Jr.

(74) *Attorney, Agent, or Firm* — Leanne Taveggia Farrell; Westman, Champlin & Koehler, P.A.

(57) **CLAIM**

The ornamental design for a display fixture, as shown and described.

DESCRIPTION

FIG. 1 is a perspective view of a first embodiment of a display fixture showing our new design;

FIG. 2 is a side view thereof, the opposing side view being identical;

FIG. 3 is a front view thereof, the back view being identical;

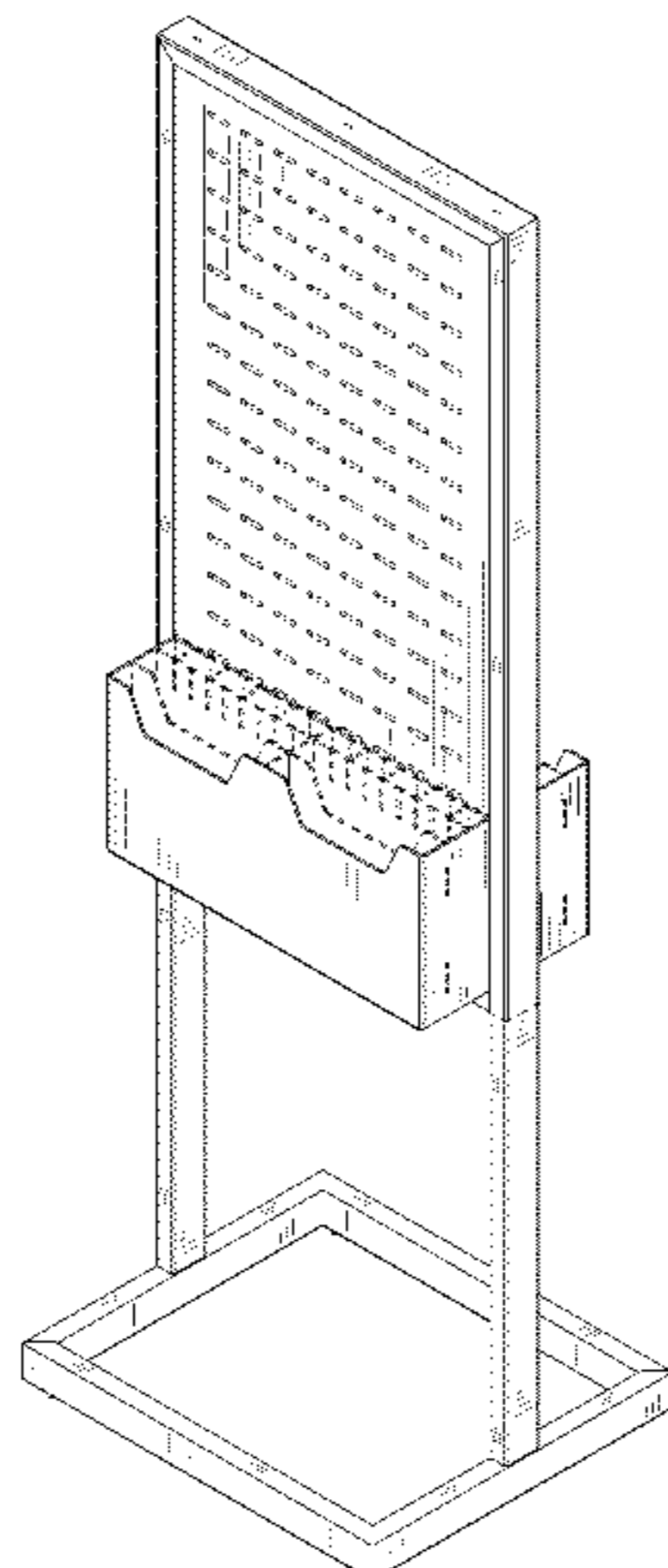
FIG. 4 is a top view thereof;

FIG. 5 is an enlarged section view representative of the sections indicated by the lines in FIG. 4 and is shown without the rest of the claimed display fixture for convenience of illustration; and,

FIG. 6 is an enlarged section view representative of the sections indicated by the lines in FIG. 4 and is shown without the rest of the claimed display fixture for convenience of illustration.

The broken lines illustrate portions of the display fixture and form no part of the claimed design.

1 Claim, 2 Drawing Sheets



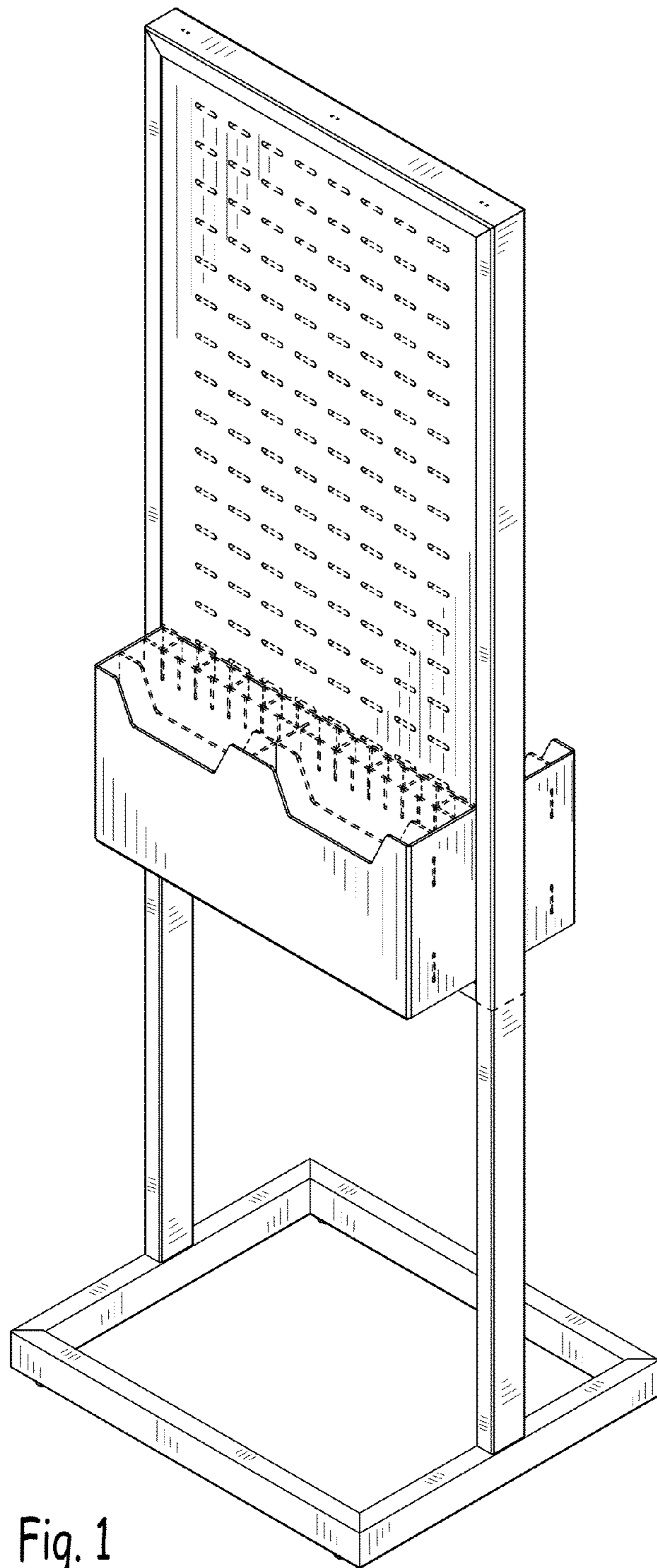


Fig. 1

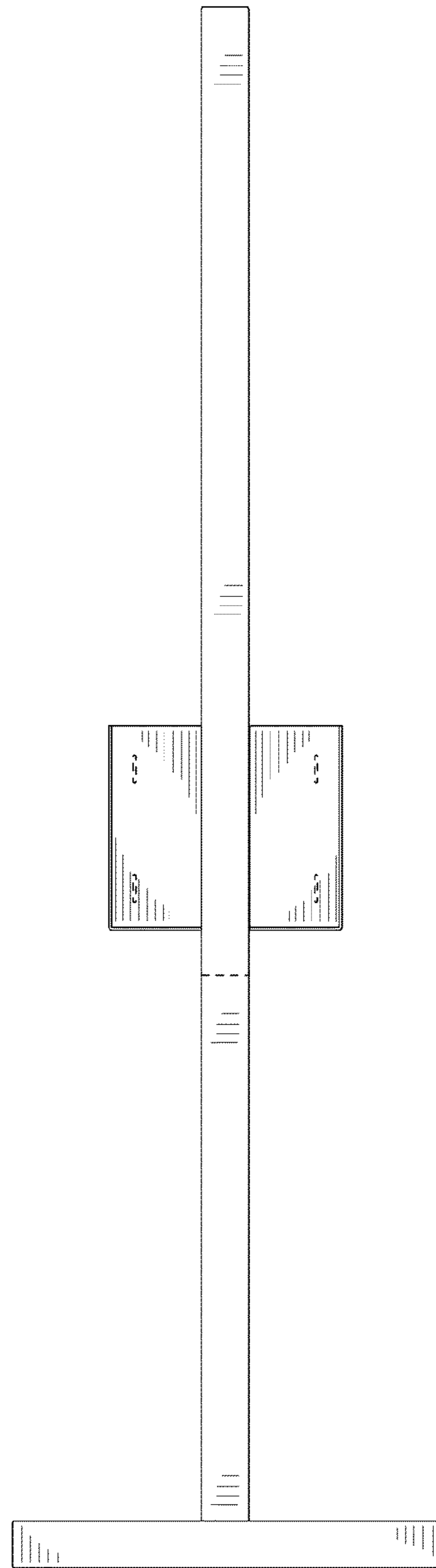


Fig. 2

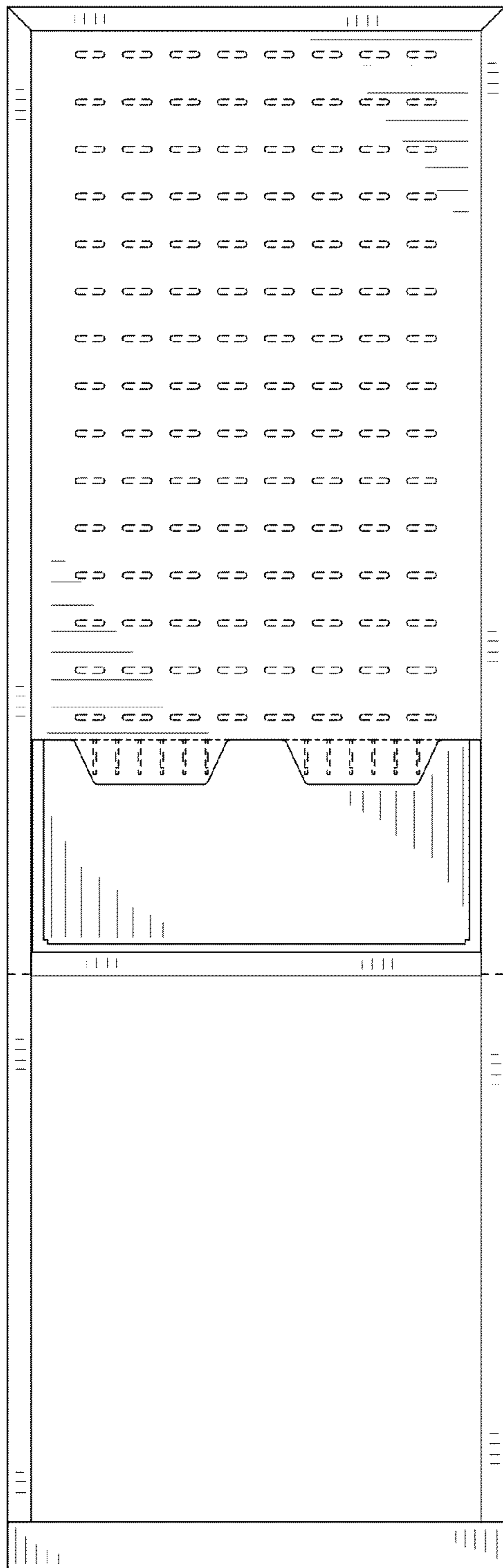


Fig. 3

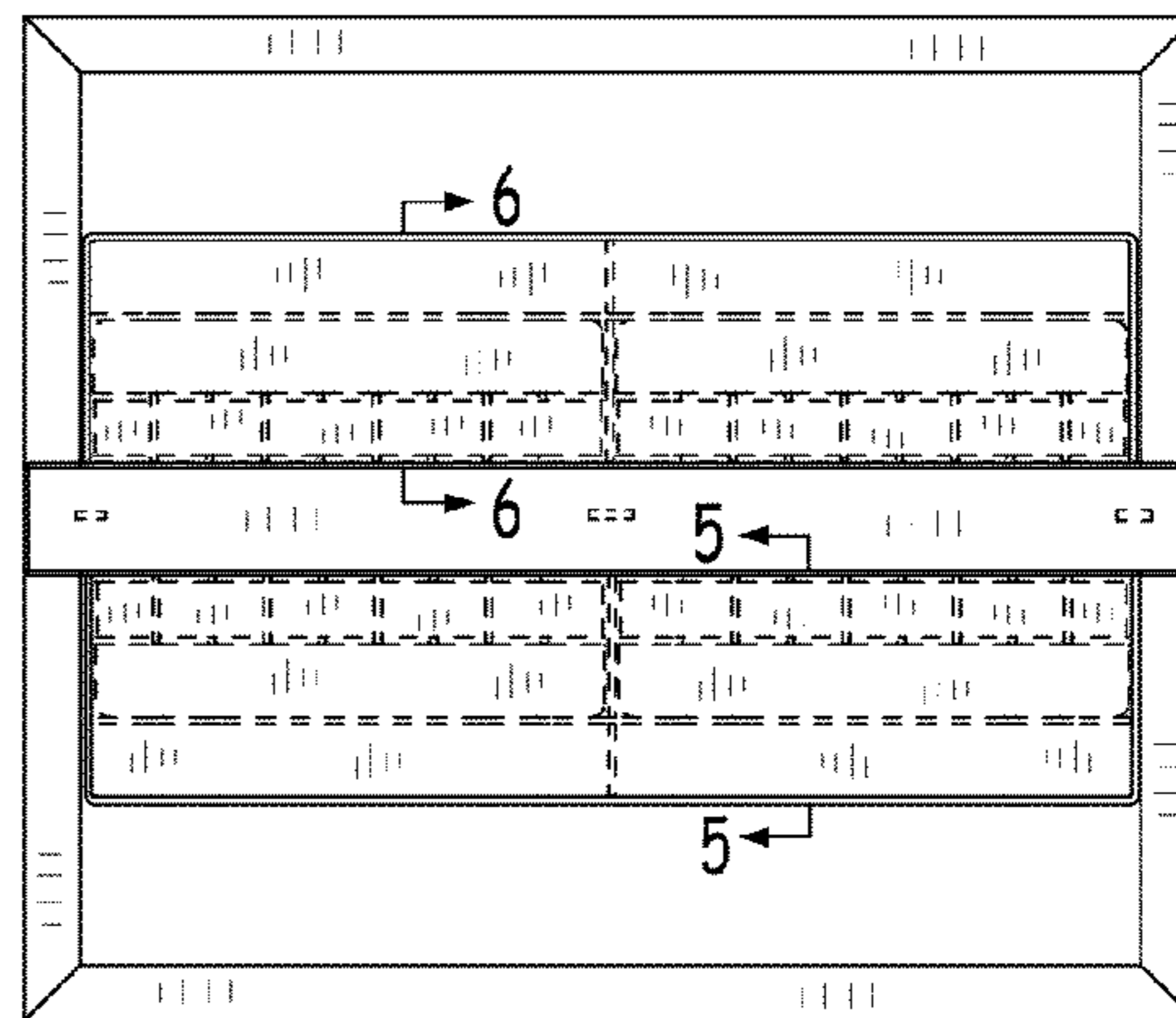


Fig. 4

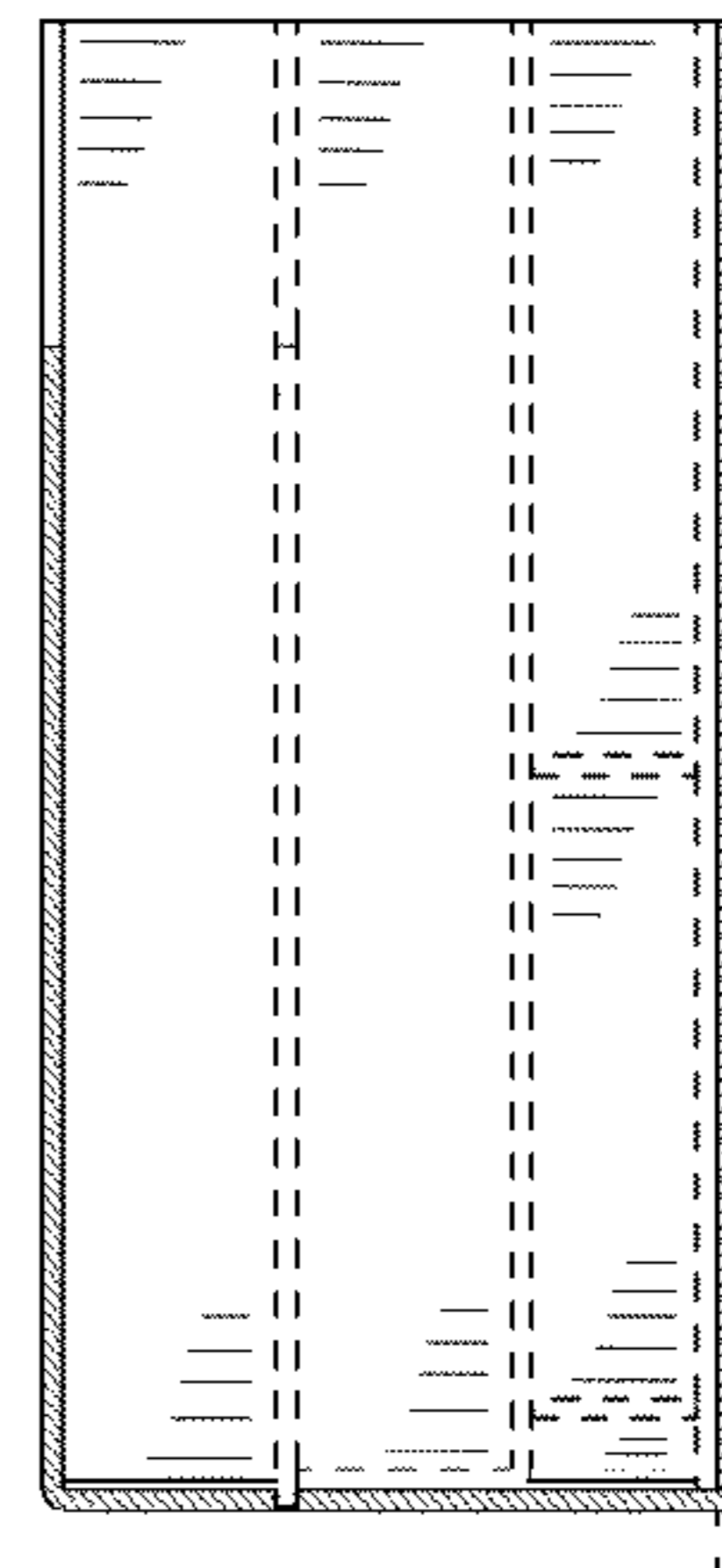


Fig. 5

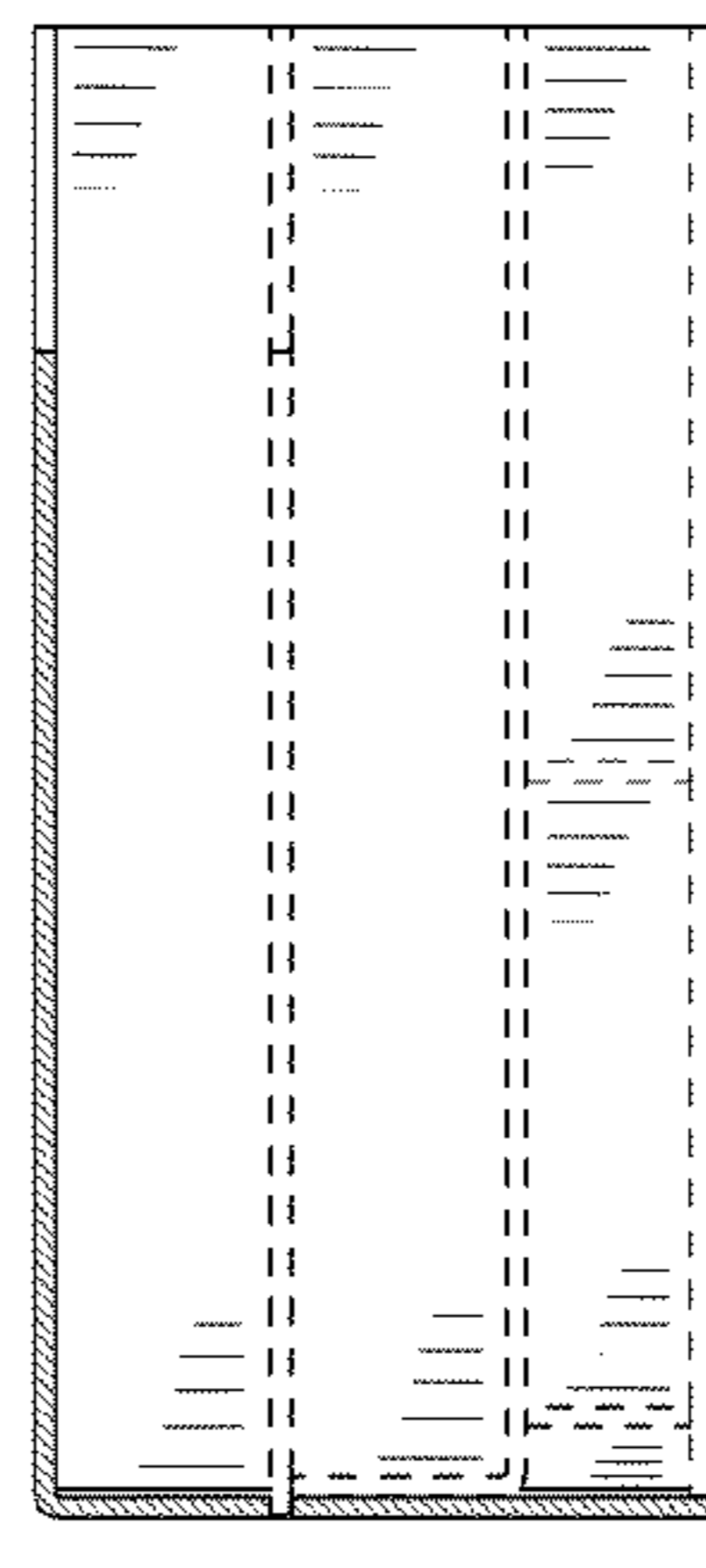


Fig. 6