



US00D745792S

(12) **United States Design Patent**  
**Balas**

(10) **Patent No.:** **US D745,792 S**

(45) **Date of Patent:** **\*\* Dec. 22, 2015**

(54) **WARDROBE WITH INTEGRATED ROLL-TOP SHUTTER**

(71) Applicant: **Nachum Balas**, Herzeliya (IL)

(72) Inventor: **Nachum Balas**, Herzeliya (IL)

(\*\*) Term: **14 Years**

(21) Appl. No.: **29/500,591**

(22) Filed: **Aug. 26, 2014**

(51) **LOC (10) Cl.** ..... **06-04**

(52) **U.S. Cl.**  
USPC ..... **D6/666**

(58) **Field of Classification Search**  
USPC ..... D6/663, 666, 668, 68.1, 668.2  
CPC ..... A47B 17/04; A47B 83/00; A47B 87/00;  
E06B 9/08; E06B 9/115; E06B 9/11  
See application file for complete search history.

(56) **References Cited**

**U.S. PATENT DOCUMENTS**

D22,397 S \* 5/1893 Emerson ..... D6/666  
D22,398 S \* 5/1893 Conde ..... D6/666

D113,622 S \* 3/1939 Derman ..... D6/666  
3,330,611 A \* 7/1967 Heifetz ..... E06B 9/115  
D6/666  
D230,799 S \* 3/1974 Loewy ..... D6/666  
D378,174 S \* 2/1997 Kamin ..... D6/666

\* cited by examiner

*Primary Examiner* — Mimoso De

(74) *Attorney, Agent, or Firm* — The IP Law Firm of Guy Levi, LLC; Guy Levi

(57) **CLAIM**

I claim, the ornamental design for a wardrobe with integrated roll-top shutter, as shown and described.

**DESCRIPTION**

FIG. 1 shows a top left front perspective of a wardrobe with integrated roll-top shutter showing an embodiment of our new design;

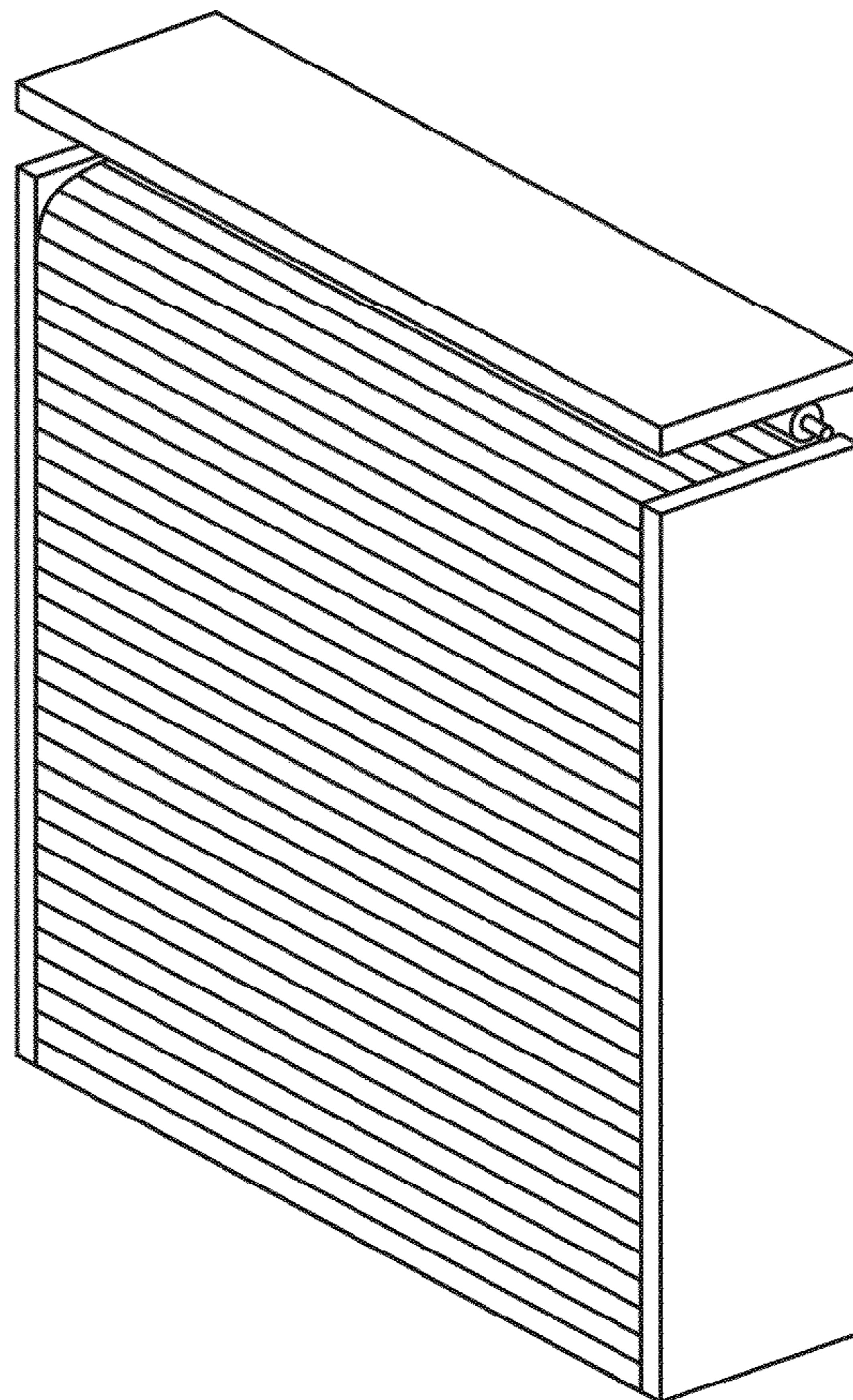
FIG. 2 shows a symmetric side elevational view thereof;

FIG. 3 shows a front elevational view thereof;

FIG. 4 shows a bottom plan view thereof; and,

FIG. 5 shows a top plan view thereof.

**1 Claim, 1 Drawing Sheet**



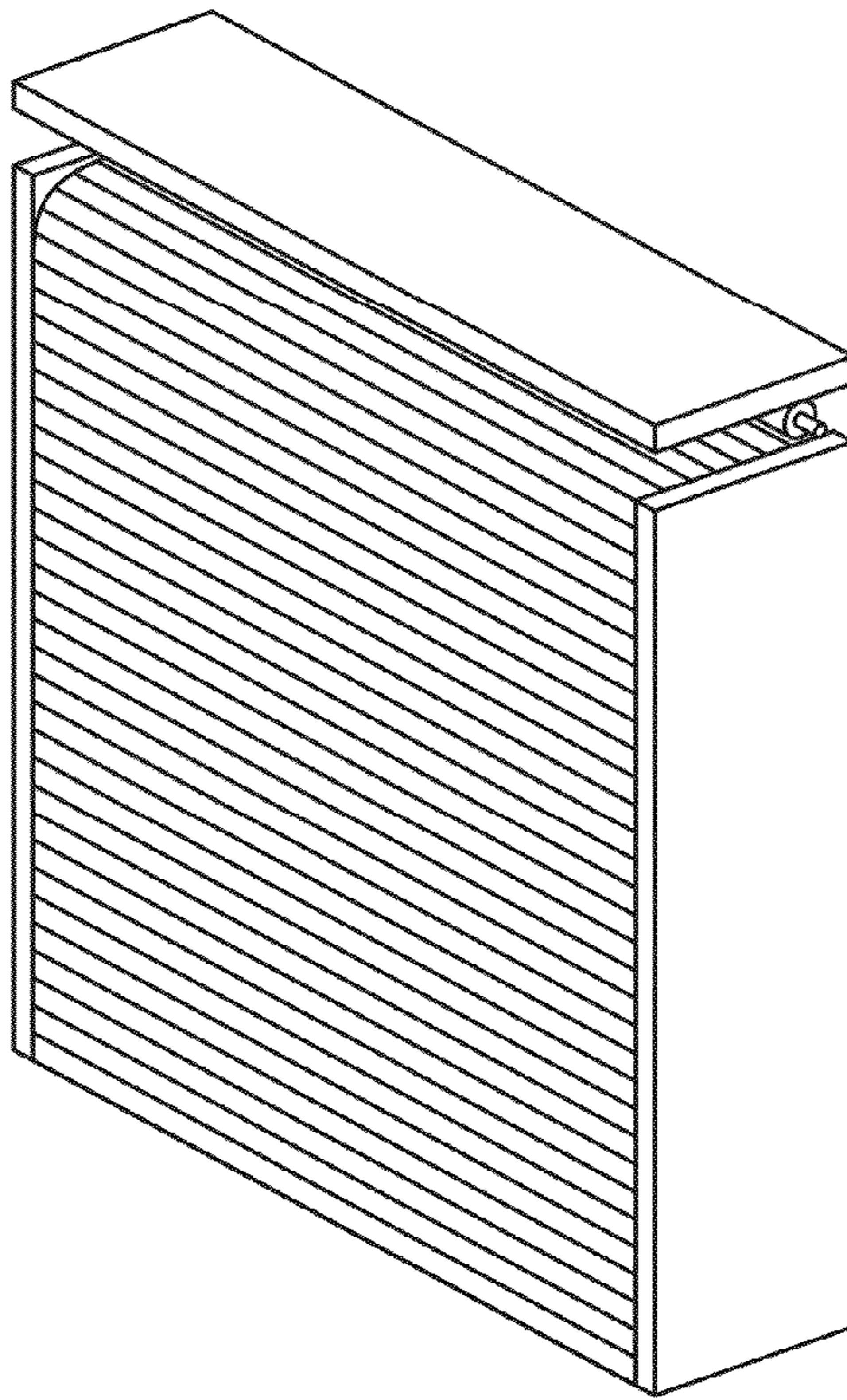


FIG. 1

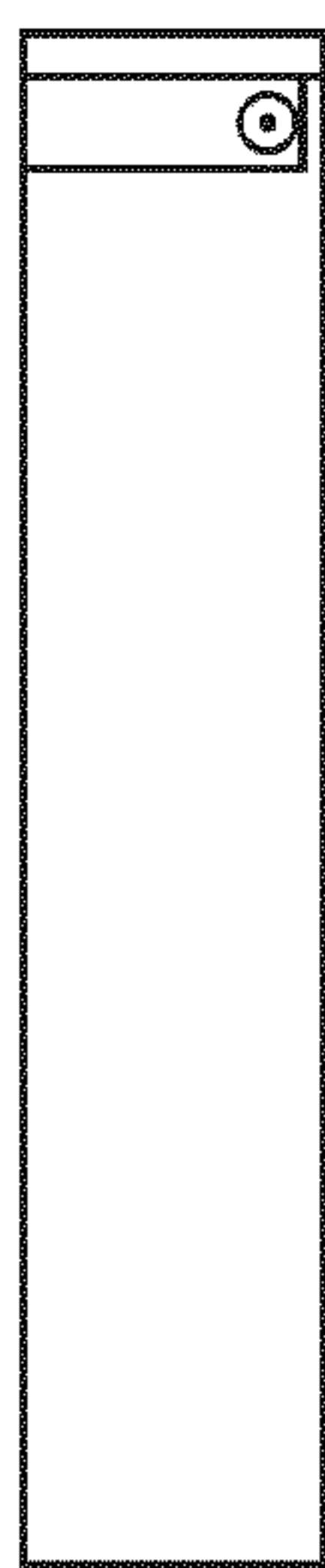


FIG. 2

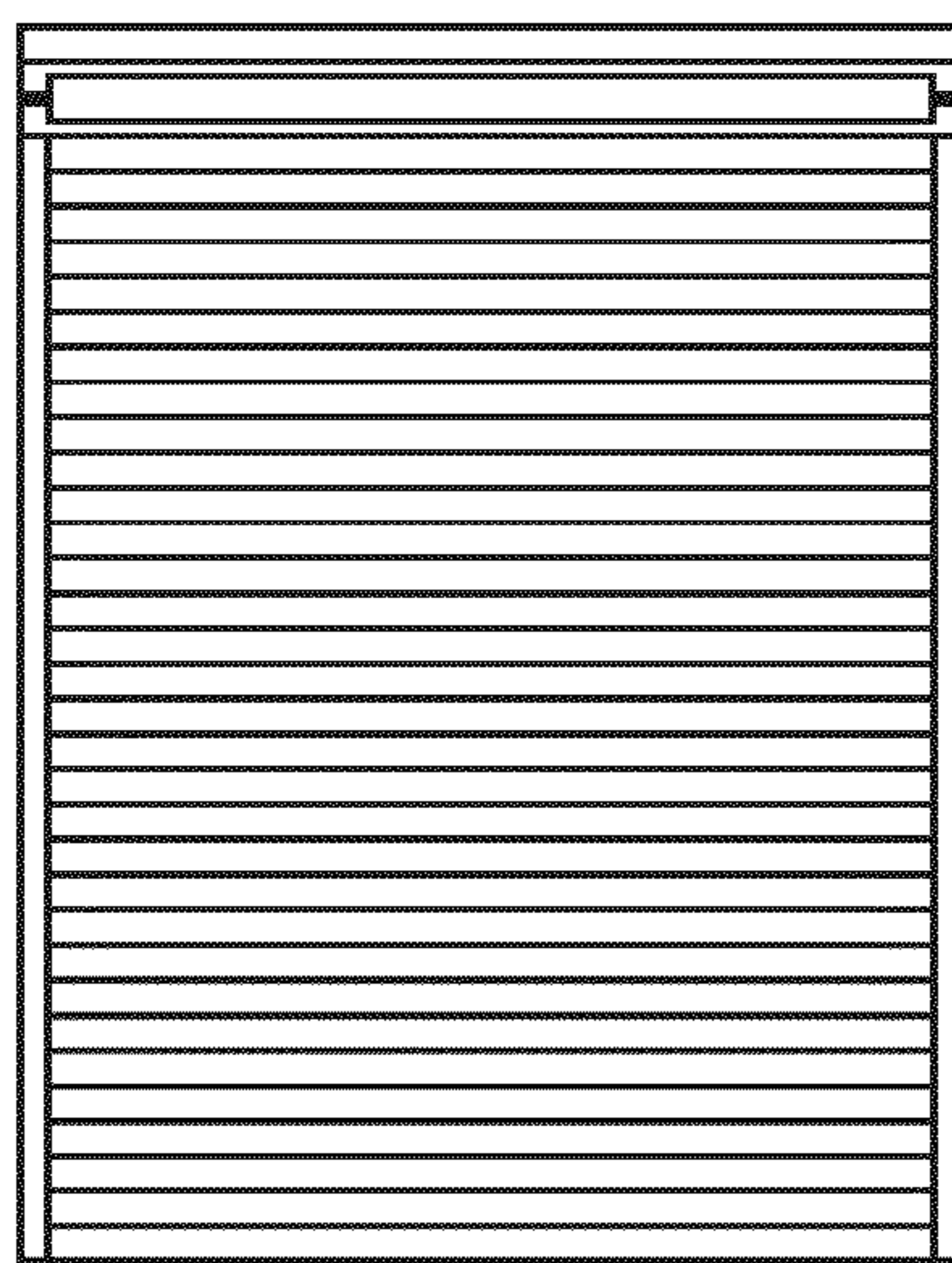


FIG. 3



FIG. 4



FIG. 5