



US00D745790S

(12) **United States Design Patent**
Antonisami

(10) **Patent No.:** **US D745,790 S**
(45) **Date of Patent:** **** Dec. 22, 2015**

- (54) **PAD**
- (71) Applicant: **Euro-Pro Operating LLC**, Newton, MA (US)
- (72) Inventor: **Bastin B. Antonisami**, Westford, MA (US)
- (73) Assignee: **SharkNinja Operating LLC**, Newton, MA (US)

2,299,300 A	10/1942	Björnson
2,926,370 A	3/1960	Wessel
2,929,087 A	3/1960	Salmon
3,066,344 A	12/1962	Borrás et al.
3,284,273 A	11/1966	Prentice
D206,748 S	1/1967	Mabie et al.
3,593,359 A	7/1971	Strauss
3,737,938 A	6/1973	Saltzstein
3,792,505 A	2/1974	Saltzstein

(Continued)

- (**) Term: **14 Years**
- (21) Appl. No.: **29/498,775**
- (22) Filed: **Aug. 7, 2014**

Related U.S. Application Data

- (63) Continuation of application No. 29/447,294, filed on Mar. 1, 2013.
- (51) **LOC (10) Cl.** **06-11**
- (52) **U.S. Cl.**
USPC **D6/582**
- (58) **Field of Classification Search**
USPC D6/582, 583, 588, 589, 591, 592, 613, D6/615, 619, 620, 621; D5/26, 47; D32/40; 4/581, 582, 583; 5/417, 420; 108/90; 296/97.23; 428/80, 83, 85, 91
CPC ... A47G 9/06; A47G 23/0306; A47G 23/266; A47G 27/00; A47G 27/025; A47G 27/026; A47G 27/0212; A47G 27/0218; A47G 27/0225; A47G 27/0237; A47G 27/0243; A47G 27/0275; B60N 3/044
See application file for complete search history.

(56) **References Cited**

U.S. PATENT DOCUMENTS

1,146,668 A	7/1915	Tanaka
1,420,180 A	6/1922	Casmire
1,643,637 A	9/1927	Chadwick

FOREIGN PATENT DOCUMENTS

DE	473362	10/1937
GB	399174	9/1933
GB	1023556	3/1966

Primary Examiner — Karen S Acker

Assistant Examiner — Amy Wierenga

(74) *Attorney, Agent, or Firm* — Wolf, Greenfield & Sacks, P.C.

(57) **CLAIM**

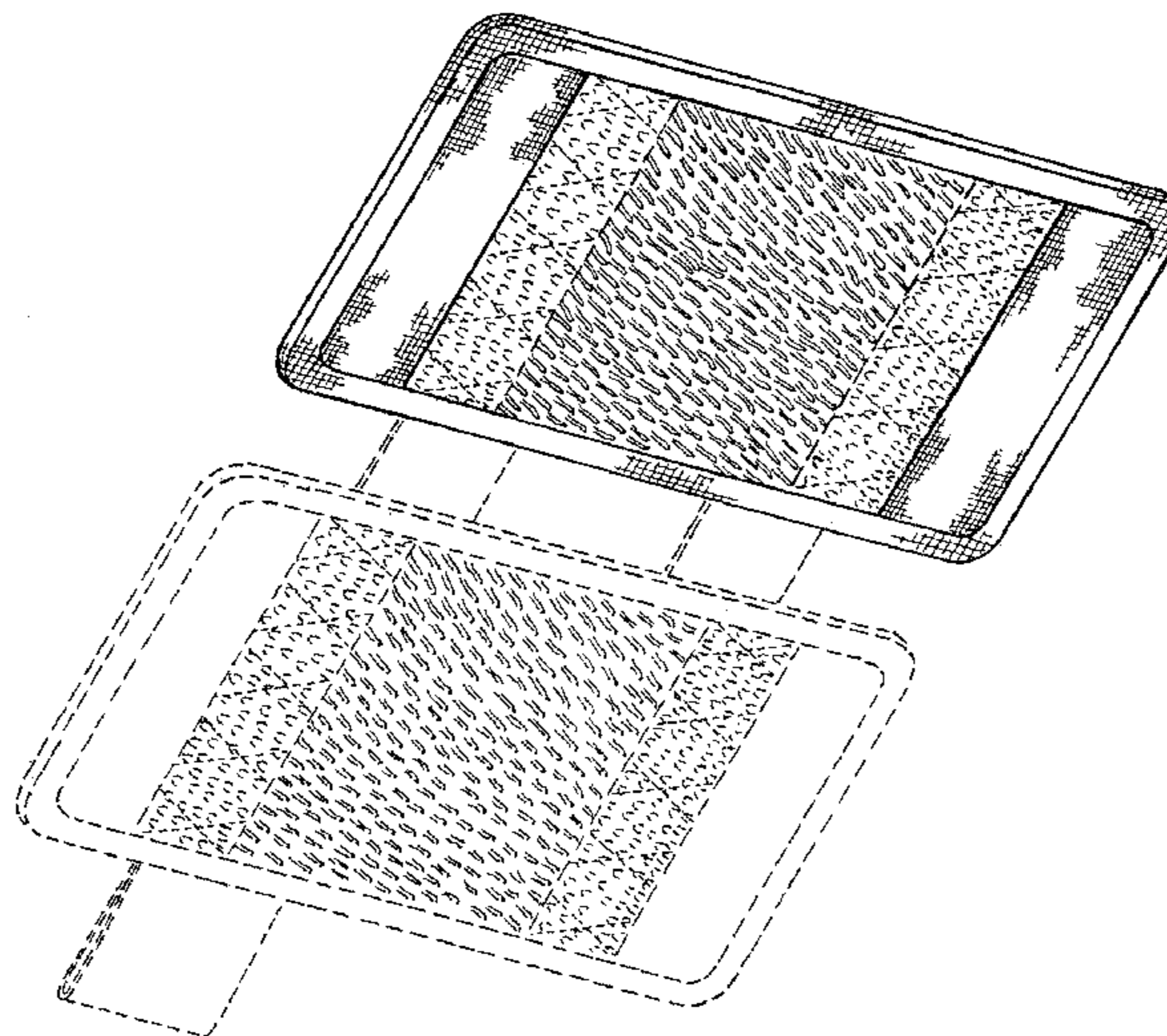
The ornamental design for a pad, as shown and described.

DESCRIPTION

FIG. 1 is a bottom, front, left side perspective view of a pad showing our new design;
 FIG. 2 is a top plan view thereof;
 FIG. 3 is a bottom plan view thereof;
 FIG. 4 is a front elevational view thereof;
 FIG. 5 is a rear elevational view thereof;
 FIG. 6 is a right side elevational view thereof; and,
 FIG. 7 is a left side elevational view thereof.

The diagonal broken lines within the solid line boundary and the broken line boundary shown in FIGS. 1 and 3 represent stitching that forms no part of the claimed design. The dash-dot-dash broken lines shown in FIG. 2 define boundaries of the pad and form no part thereof. All other broken lines shown in FIGS. 1-7 represent unclaimed portions of the pad and form no part of the claimed design.

1 Claim, 4 Drawing Sheets



(56)

References Cited

U.S. PATENT DOCUMENTS

D245,473 S	8/1977	Heninger	6,899,940 B2	5/2005	Leriget	
4,278,719 A	7/1981	Sarnecki	7,155,768 B2	1/2007	Morita et al.	
4,353,944 A	10/1982	Tarui	D536,176 S	2/2007	Ramirez	
4,634,618 A	1/1987	Greer et al.	D560,868 S	1/2008	So	
D290,144 S	6/1987	Bruce	D575,918 S	8/2008	Rosenzweig et al.	
4,685,167 A	8/1987	Murray	D626,302 S	10/2010	Kaminer et al.	
4,709,430 A	12/1987	Nicoll	D626,711 S	11/2010	Kaminer et al.	
D302,058 S	7/1989	Brooks	D642,759 S	8/2011	Otsuka et al.	
5,021,277 A	6/1991	Fan	D653,070 S *	1/2012	Powell	D6/608
5,099,532 A	3/1992	Thomas et al.	8,133,991 B2	3/2012	Nonomura et al.	
5,177,831 A	1/1993	Wirth	8,201,296 B2	6/2012	Mayer	
5,377,378 A	1/1995	Cutler	D666,860 S	9/2012	Lubart	
D358,238 S	5/1995	Barnett	8,500,211 B2	8/2013	Lindblad	
D358,520 S	5/1995	Yamanaka	2001/0023159 A1	9/2001	Chen et al.	
5,419,015 A	5/1995	Garcia	2003/0044569 A1	3/2003	Kacher et al.	
5,511,271 A	4/1996	Shishido et al.	2003/0172480 A1	9/2003	Ueda et al.	
D384,209 S	9/1997	Driggers	2006/0191557 A1	8/2006	Rosenzweig et al.	
D391,715 S	3/1998	Irwin et al.	2006/0200927 A1	9/2006	Kacher et al.	
D406,424 S	3/1999	Daniels	2007/0107151 A1	5/2007	Pung et al.	
D426,039 S	5/2000	Tintelnot et al.	2008/0145593 A1	6/2008	Tsai	
6,101,661 A	8/2000	Politicchio et al.	2008/0166176 A1	7/2008	Rees et al.	
D435,948 S	1/2001	Long	2009/0158544 A1	6/2009	Pagani	
6,308,366 B1	10/2001	Hays	2009/0241978 A1	10/2009	Moretti	
D455,929 S	4/2002	Tweel	2010/0263152 A1	10/2010	Wildeman	
D471,334 S	3/2003	Reede	2010/0272948 A1	10/2010	Kaminer et al.	
6,606,757 B2	8/2003	Vosbikian et al.	2010/0042462 A1	2/2012	Milanese et al.	
6,651,290 B2	11/2003	Kingry et al.	2012/0151703 A1	6/2012	Chow	
			2014/0069337 A1	3/2014	Dunford	
			2014/0245551 A1 *	9/2014	Jalbert et al.	15/104.93
			2014/0245556 A1 *	9/2014	Kaminer et al.	15/228

* cited by examiner

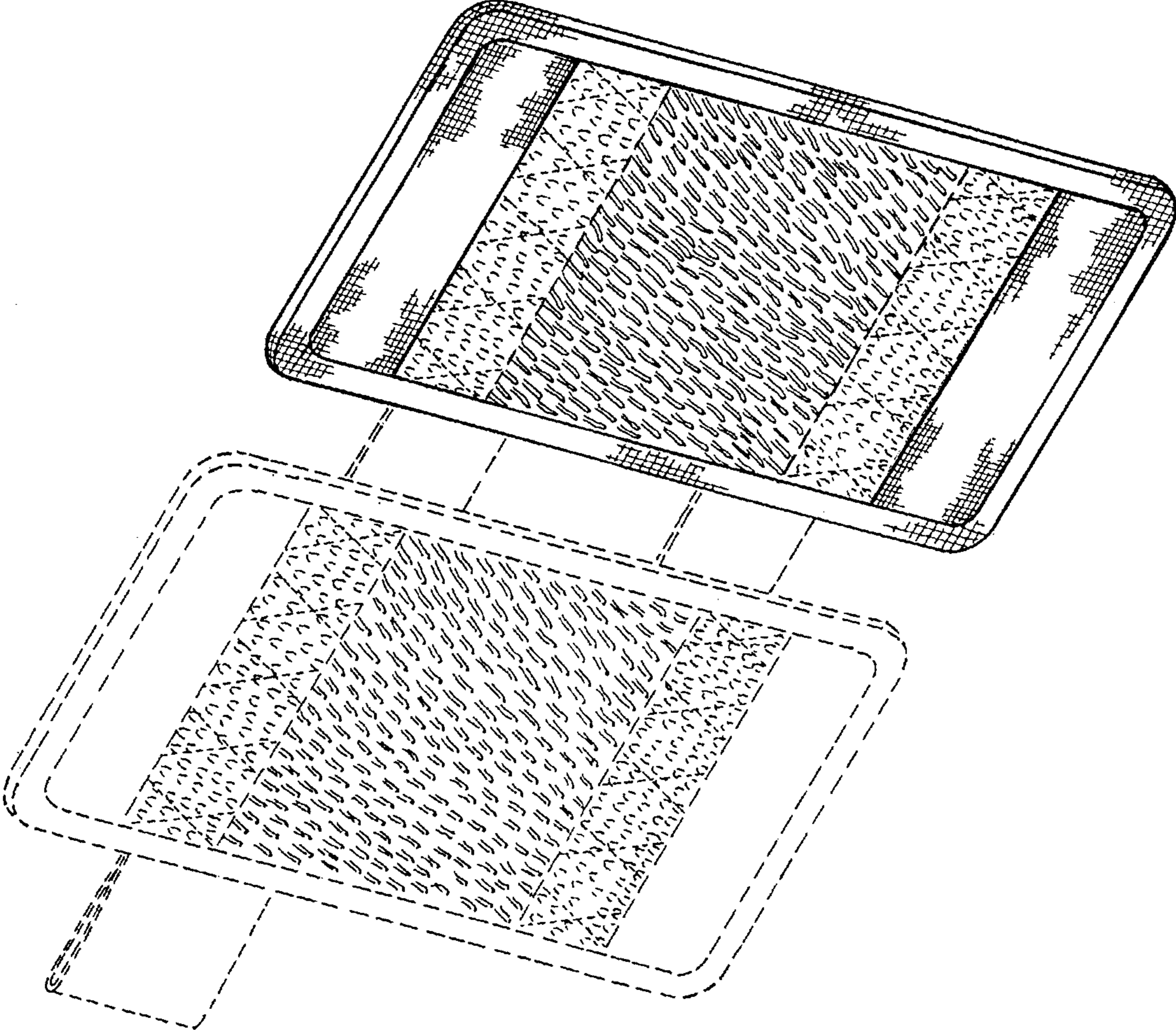


Fig. 1

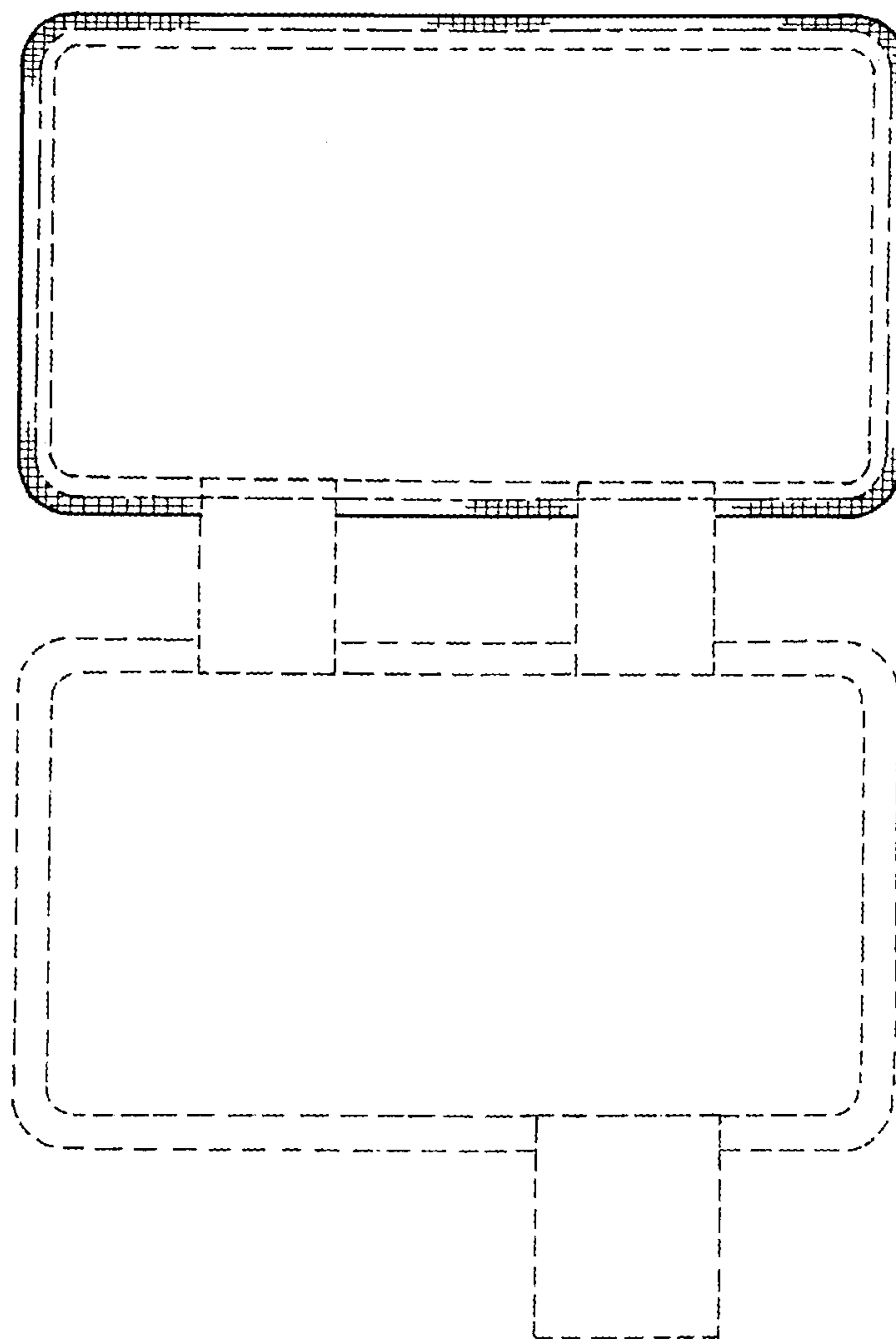


Fig. 2

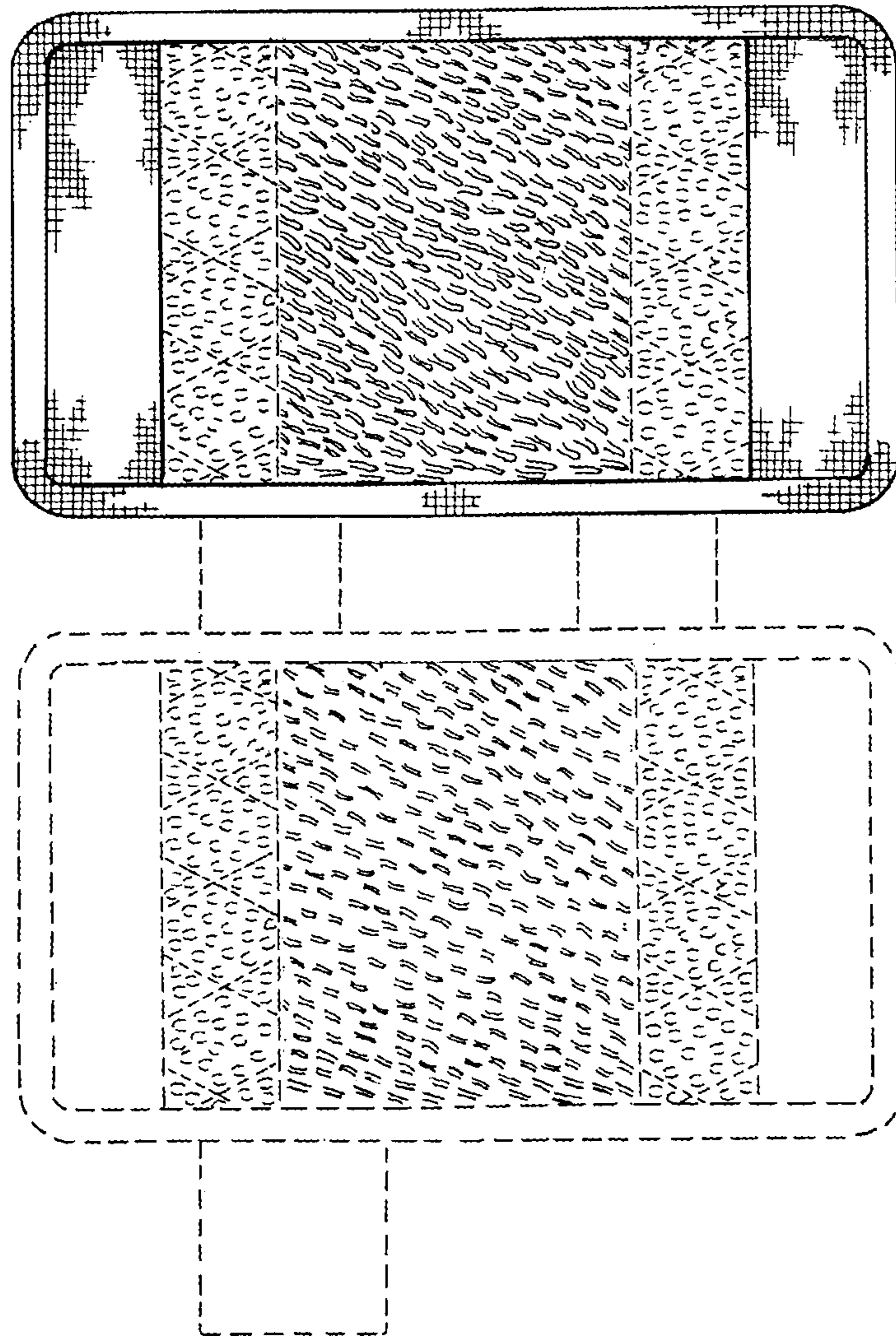


Fig. 3

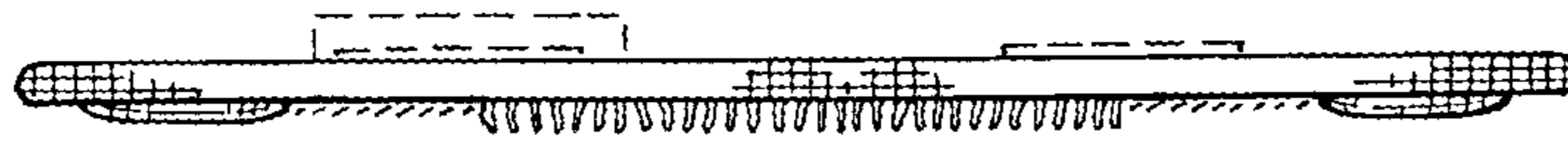


Fig. 4

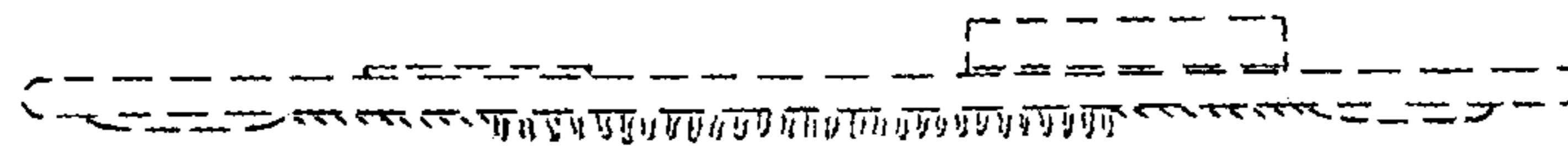


Fig. 5

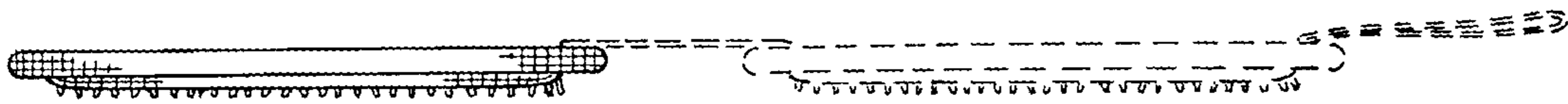


Fig. 6

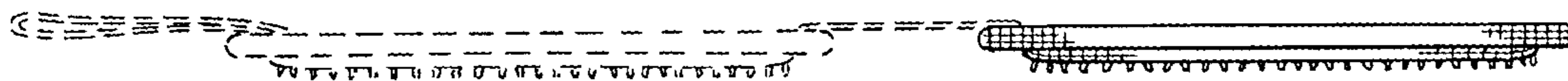


Fig. 7