

US00D745789S

(12) **United States Design Patent**
Volk

(10) **Patent No.:** **US D745,789 S**

(45) **Date of Patent:** **** Dec. 22, 2015**

(54) **TOOTHBRUSH HOLDER**

(71) Applicant: **Donald J. Volk**, Turlock, CA (US)

(72) Inventor: **Donald J. Volk**, Turlock, CA (US)

(**) Term: **14 Years**

(21) Appl. No.: **29/516,862**

(22) Filed: **Feb. 6, 2015**

Related U.S. Application Data

(63) Continuation of application No. 13/491,713, filed on Jun. 8, 2012, now abandoned.

(51) **LOC (10) Cl.** **23-02**

(52) **U.S. Cl.**
USPC **D6/534**

(58) **Field of Classification Search**
USPC D6/534, 528
CPC A46B 15/0091; A46B 15/0097; A45D 33/00; A47K 1/09; A47K 5/00

See application file for complete search history.

(56) **References Cited**

U.S. PATENT DOCUMENTS

D396,762 S *	8/1998	Bermillo	D6/534
D619,395 S *	7/2010	Snell	D6/534
D648,162 S *	11/2011	Michnuk	D6/534
D672,592 S *	12/2012	Legreca	D6/528

* cited by examiner

Primary Examiner — Brian N Vinson

(74) *Attorney, Agent, or Firm* — Laurence P. Colton; Smith Risley Tempel Santos LLC

(57) **CLAIM**

The ornamental design for a toothbrush holder, as shown and described.

DESCRIPTION

FIG. 1 is a top perspective view of the toothbrush holder of the present design.

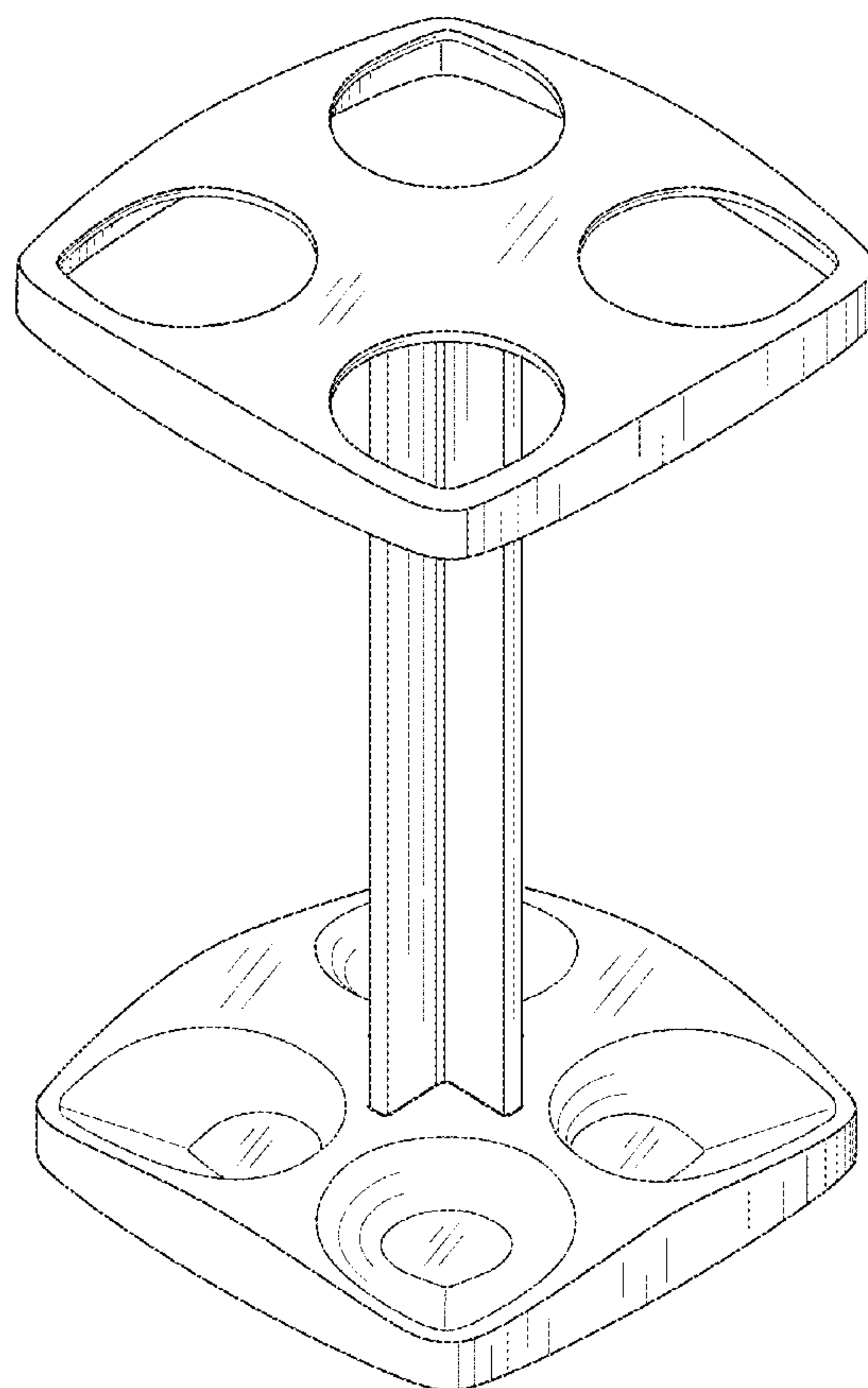
FIG. 2 is a bottom perspective view of the toothbrush holder of FIG. 1.

FIG. 3 is a top view of the toothbrush holder of FIG. 1.

FIG. 4 is a bottom view of the toothbrush holder of FIG. 1; and,

FIG. 5 is a front, back, left side, and right side view of the toothbrush holder of FIG. 1.

1 Claim, 5 Drawing Sheets



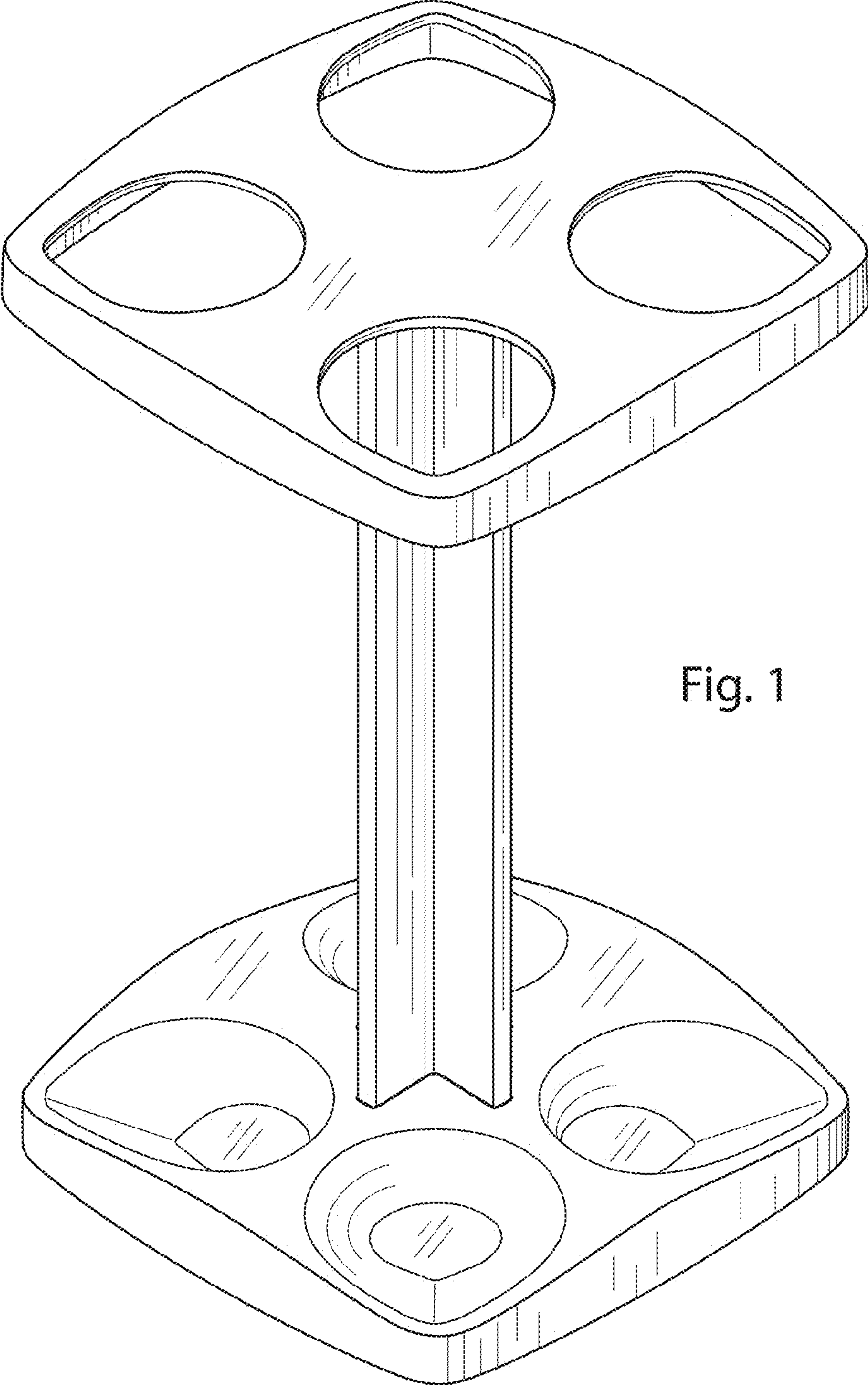


Fig. 1

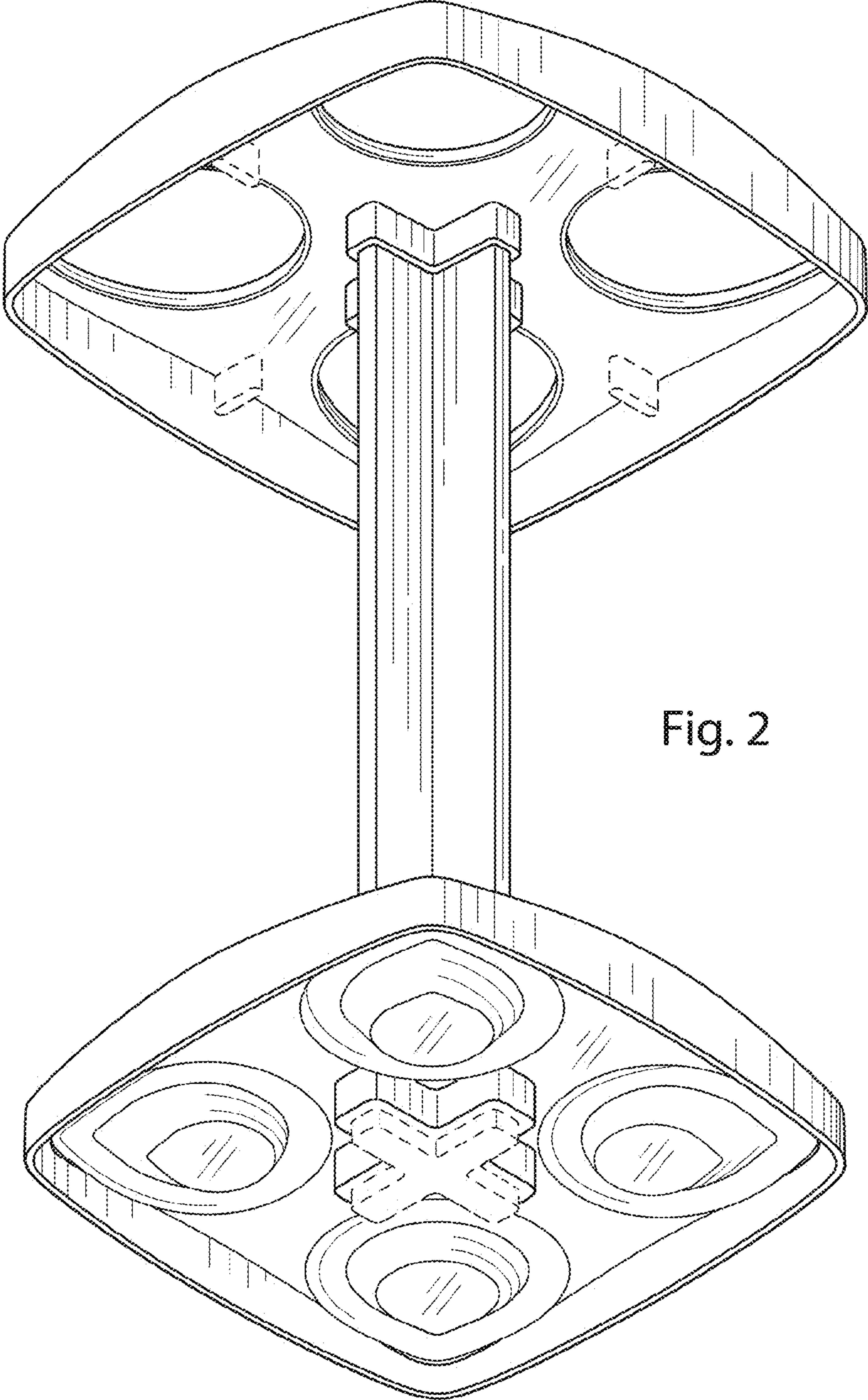


Fig. 2

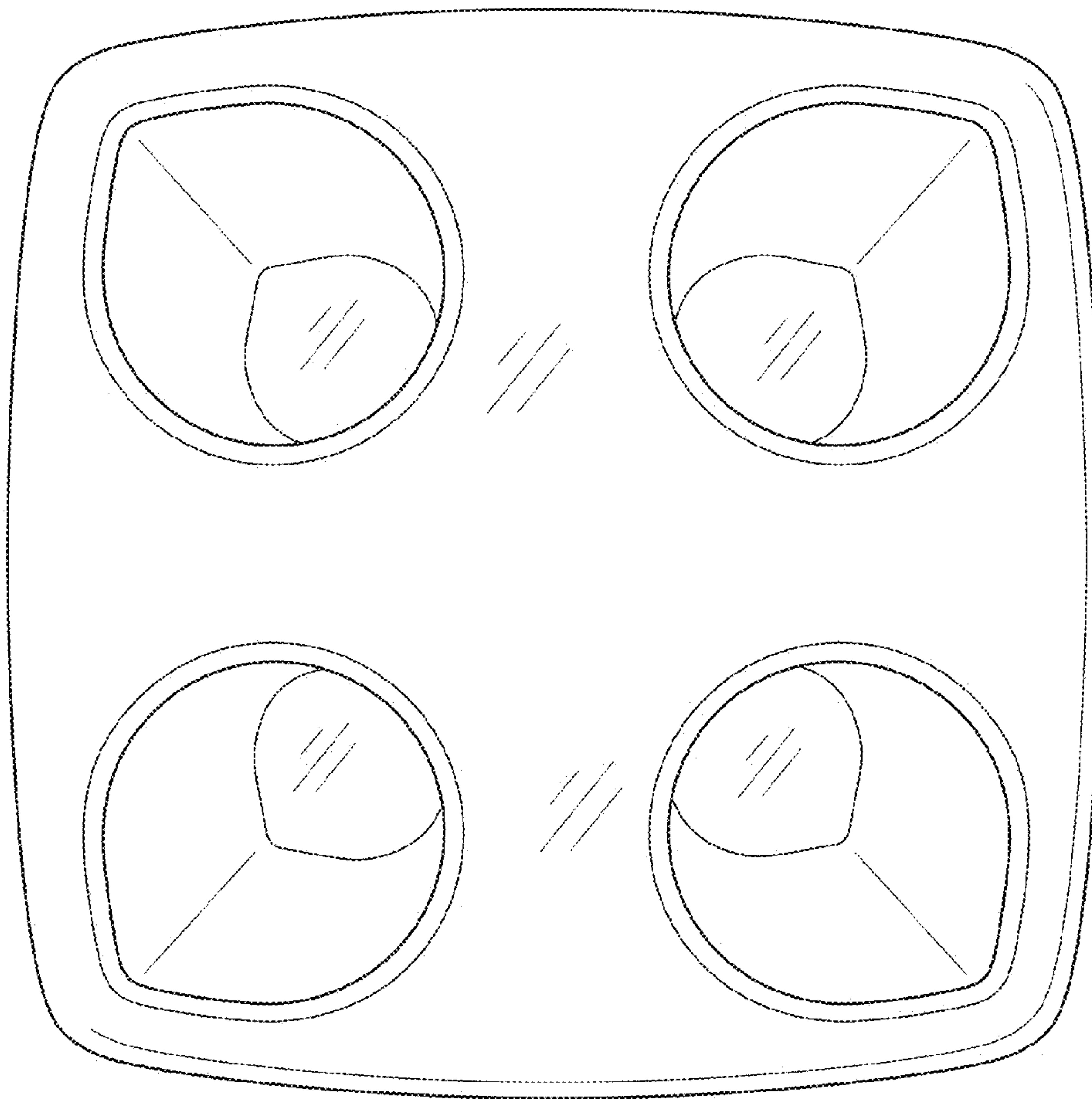


Fig. 3

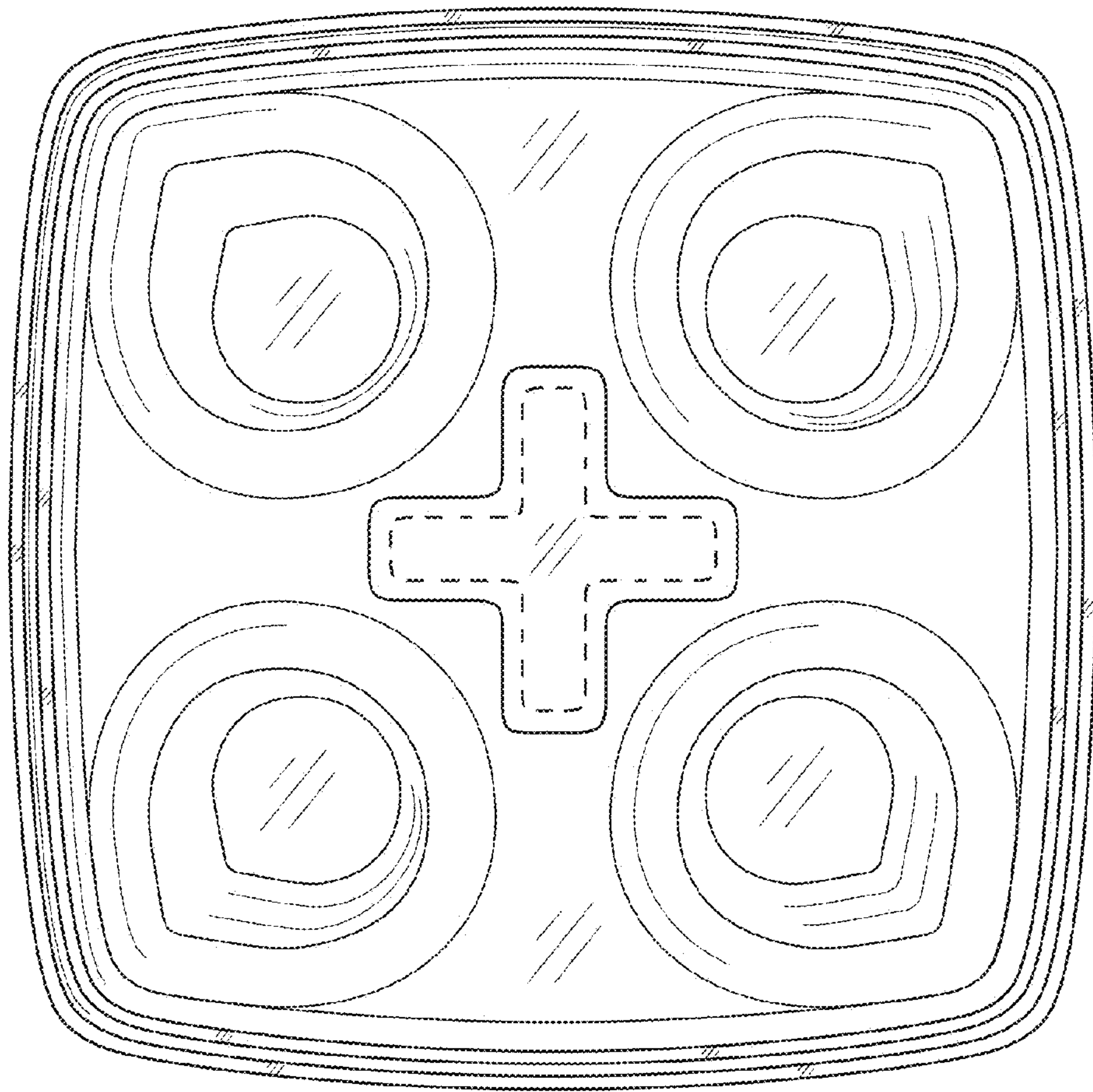


Fig. 4

