



US00D745780S

(12) **United States Design Patent**  
**Feng**

(10) **Patent No.:** **US D745,780 S**

(45) **Date of Patent:** **\*\* Dec. 22, 2015**

(54) **MOBILE PHONE CASE**

(71) Applicant: **Guangzhen Feng**, Dazhou (CN)

(72) Inventor: **Guangzhen Feng**, Dazhou (CN)

(\*\*) Term: **14 Years**

(21) Appl. No.: **29/512,787**

(22) Filed: **Dec. 23, 2014**

(51) **LOC (10) Cl.** ..... **03-01**

(52) **U.S. Cl.**  
USPC ..... **D3/269**

(58) **Field of Classification Search**  
USPC ..... D3/269, 201, 218, 219, 275, 294–295,  
D3/905, 903, 215, 273, 300, 303; D6/407,  
D6/632, 633, 634; D14/356, 341,  
D14/217–218, 345, 78; 206/307, 315.1,  
206/320; 190/109, 110, 111, 900, 902  
CPC ..... A45C 2011/002; A45C 2011/003  
See application file for complete search history.

(56) **References Cited**

**U.S. PATENT DOCUMENTS**

D557,495 S *	12/2007	Chan et al.	.....	D3/218
7,387,209 B2 *	6/2008	Ko et al.	.....	206/579
D635,354 S *	4/2011	Uchida	.....	D3/218
D648,529 S *	11/2011	Brown	.....	D3/269
D682,837 S *	5/2013	Lee et al.	.....	D14/440
D714,053 S *	9/2014	Yoo	.....	D3/269

D714,550 S *	10/2014	Yoo	.....	D3/269
D729,522 S *	5/2015	Kim	.....	D3/303
D733,111 S *	6/2015	Kim	.....	D14/250

\* cited by examiner

*Primary Examiner* — Cynthia Ramirez

*Assistant Examiner* — Gino Colan

(57) **CLAIM**

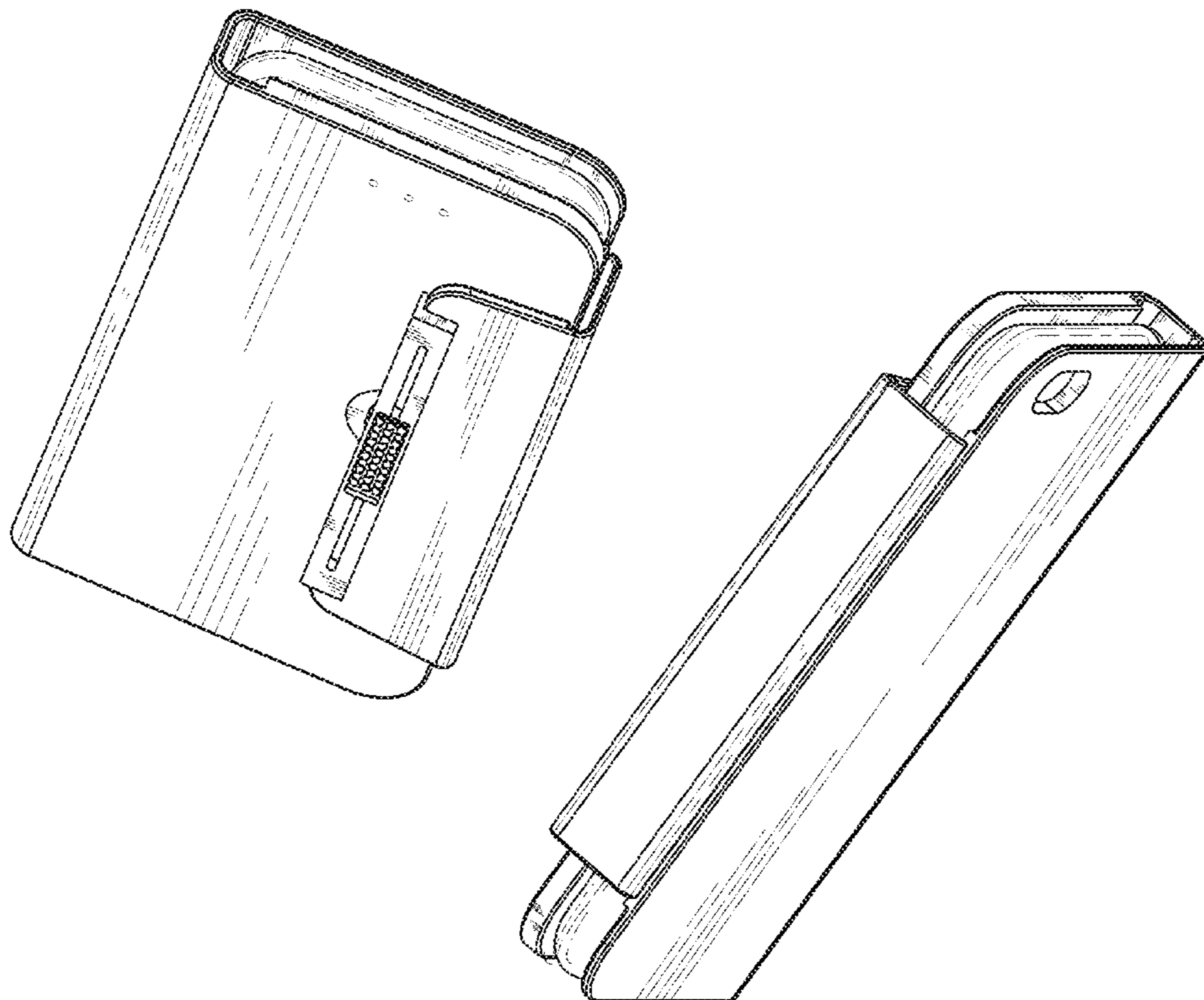
The ornamental design for a mobile phone case, as shown and described.

**DESCRIPTION**

FIG. 1 is a front perspective view of a mobile phone case showing my new design;  
 FIG. 2 is a rear perspective view thereof;  
 FIG. 3 is another front perspective view thereof;  
 FIG. 4 is a rear, side perspective view thereof;  
 FIG. 5 is a front, side perspective view thereof;  
 FIG. 6 is another rear perspective view thereof;  
 FIG. 7 is the other side perspective view thereof;  
 FIG. 8 is a rear perspective view showing the flap open;  
 FIG. 9 is another rear perspective view showing the flap open;  
 FIG. 10 is an inside perspective view showing the case in an open position;  
 FIG. 11 is another inside perspective view thereof; and,  
 FIG. 12 is an outside perspective view showing the case in an open position.

The broken lines in the drawings are included for the purpose of illustrating portions of the mobile phone case and form no part of the claimed design.

**1 Claim, 12 Drawing Sheets**



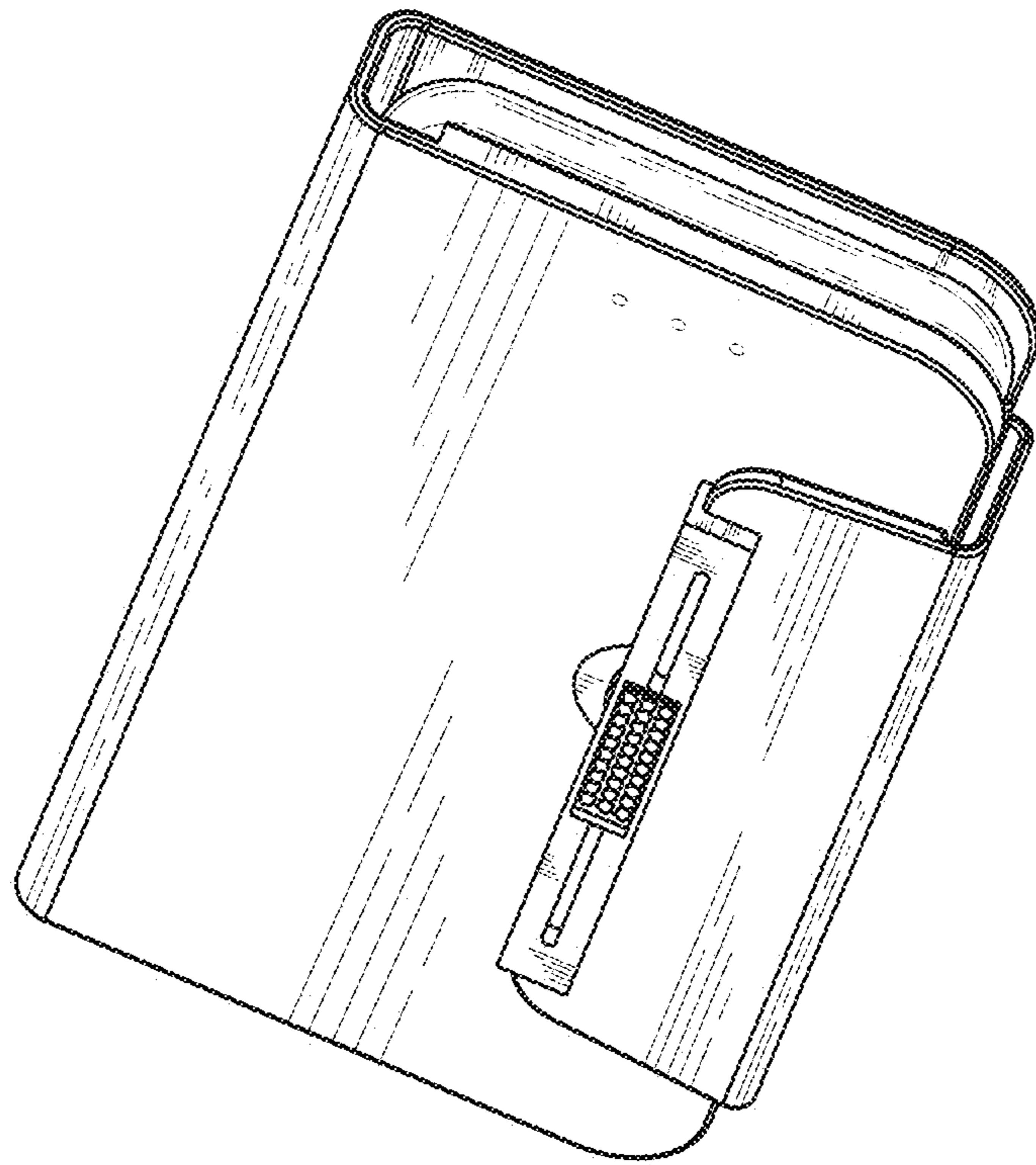


FIG.1

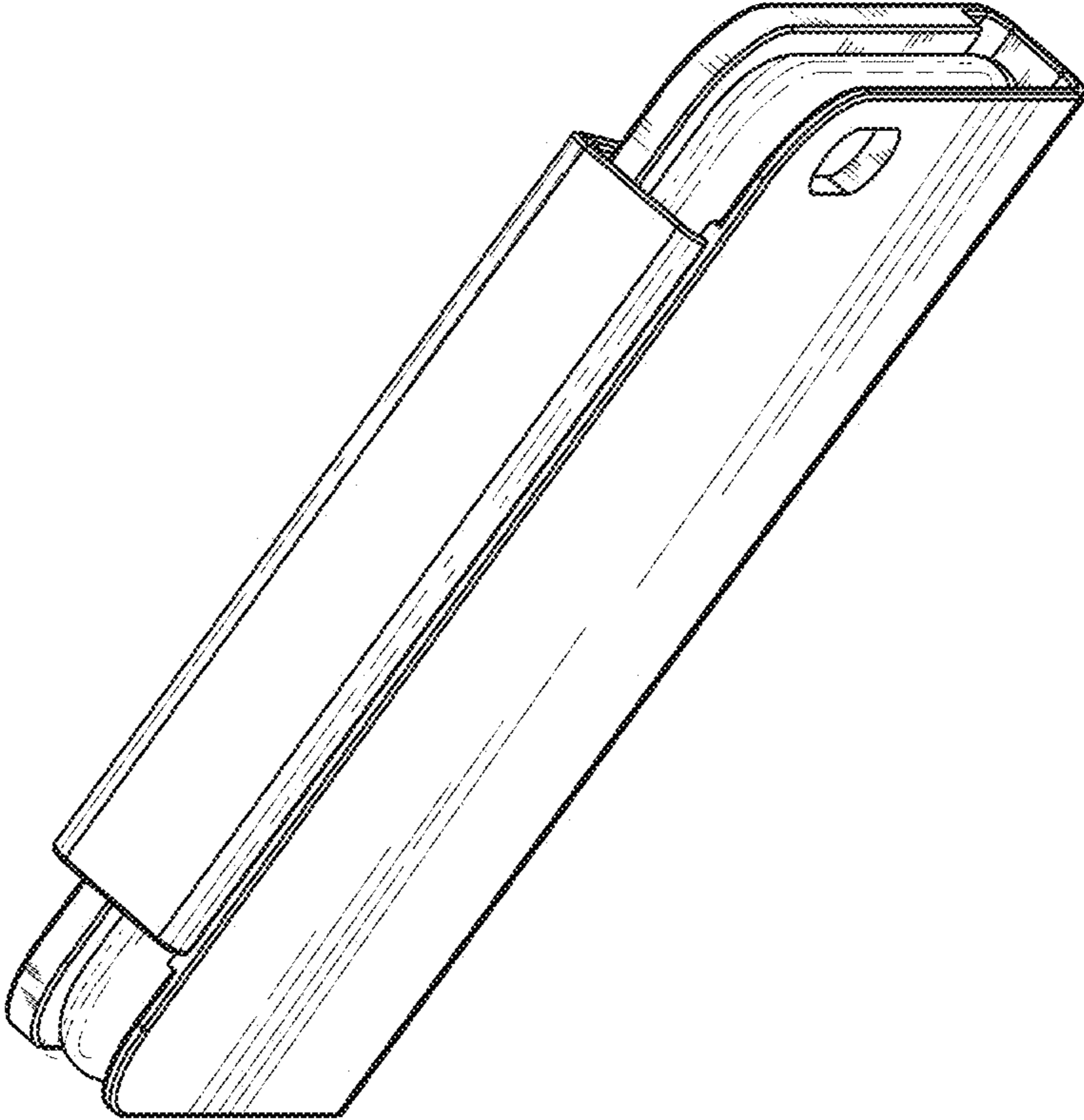


FIG.2

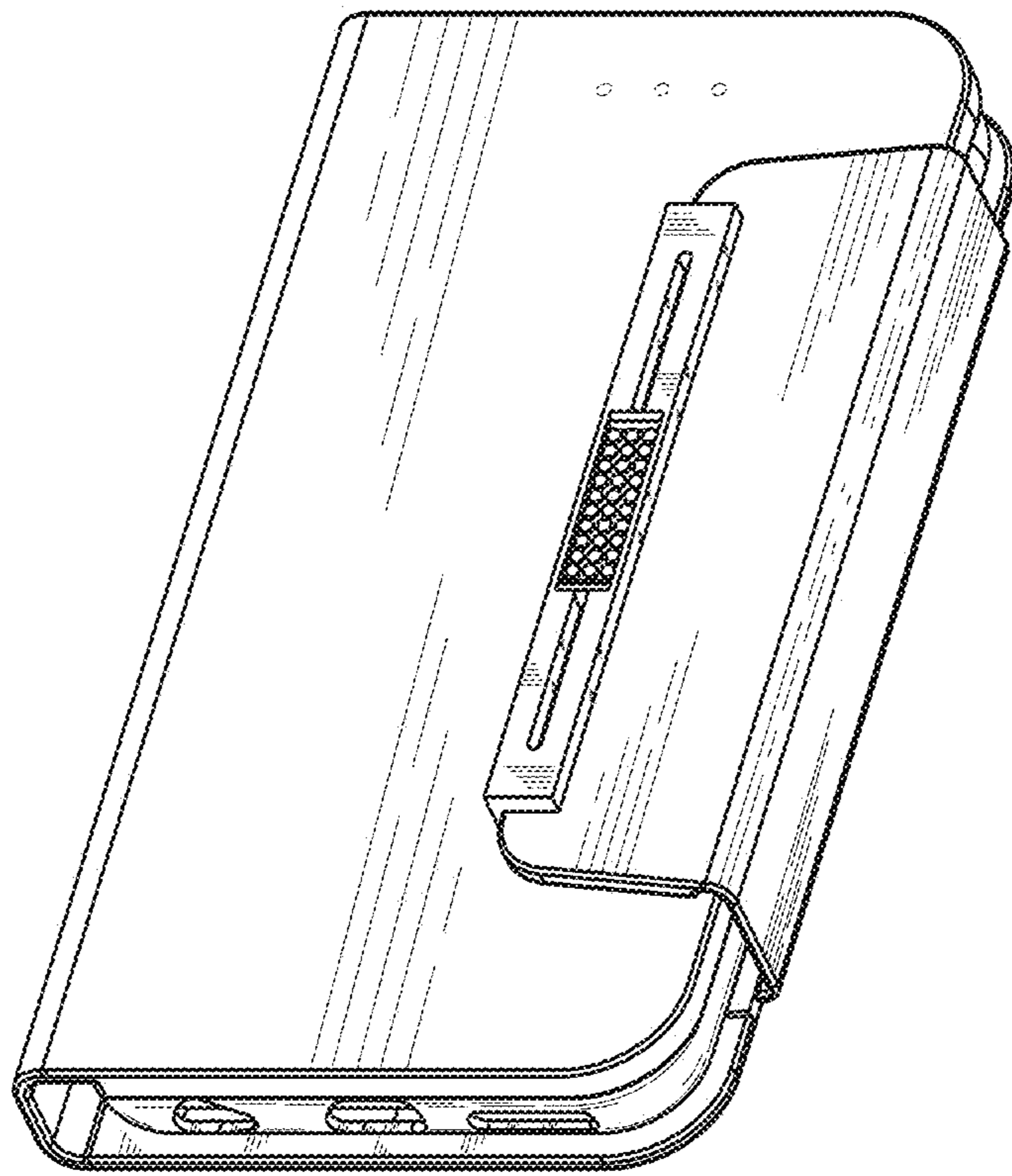


FIG.3

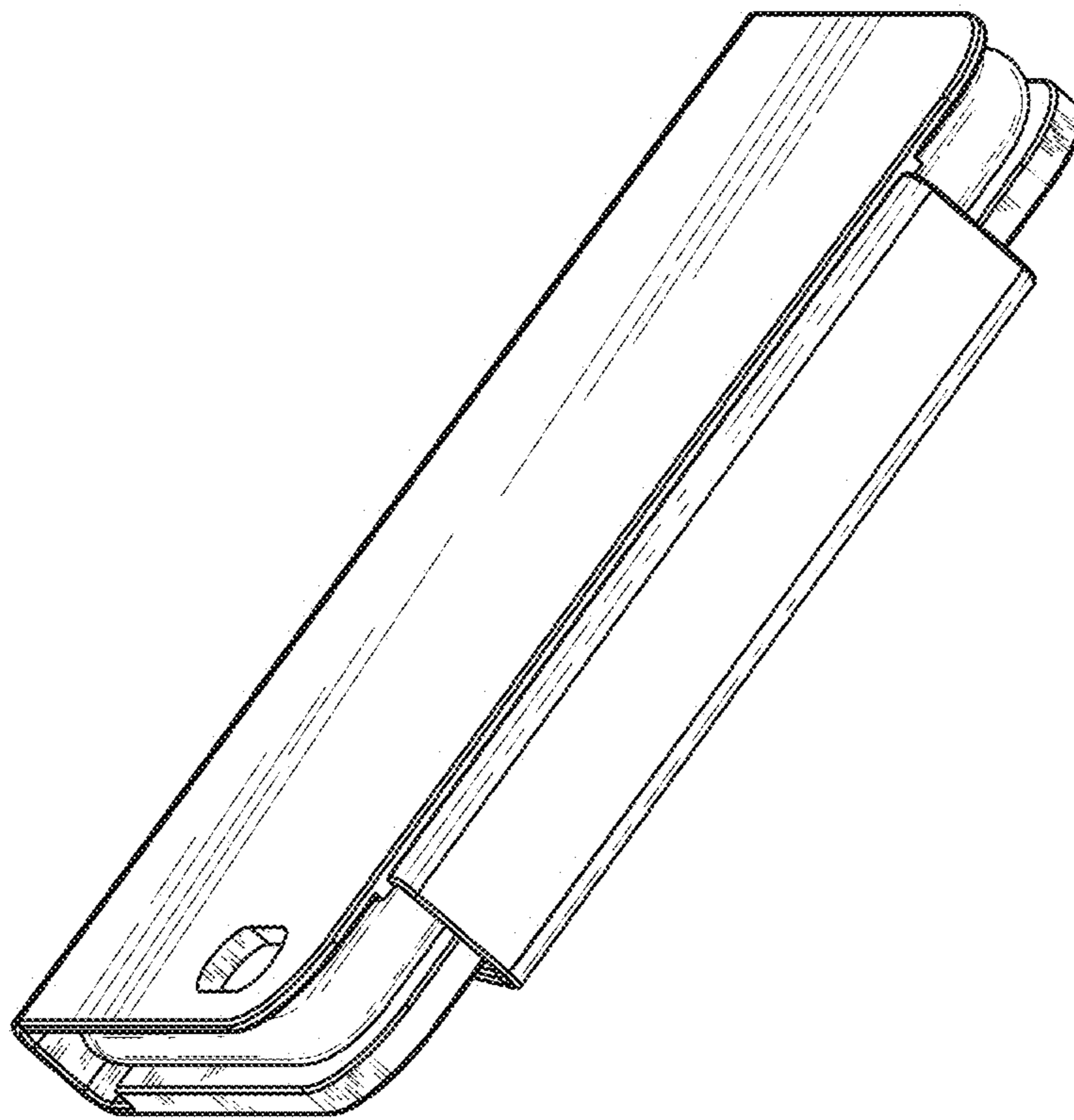


FIG.4

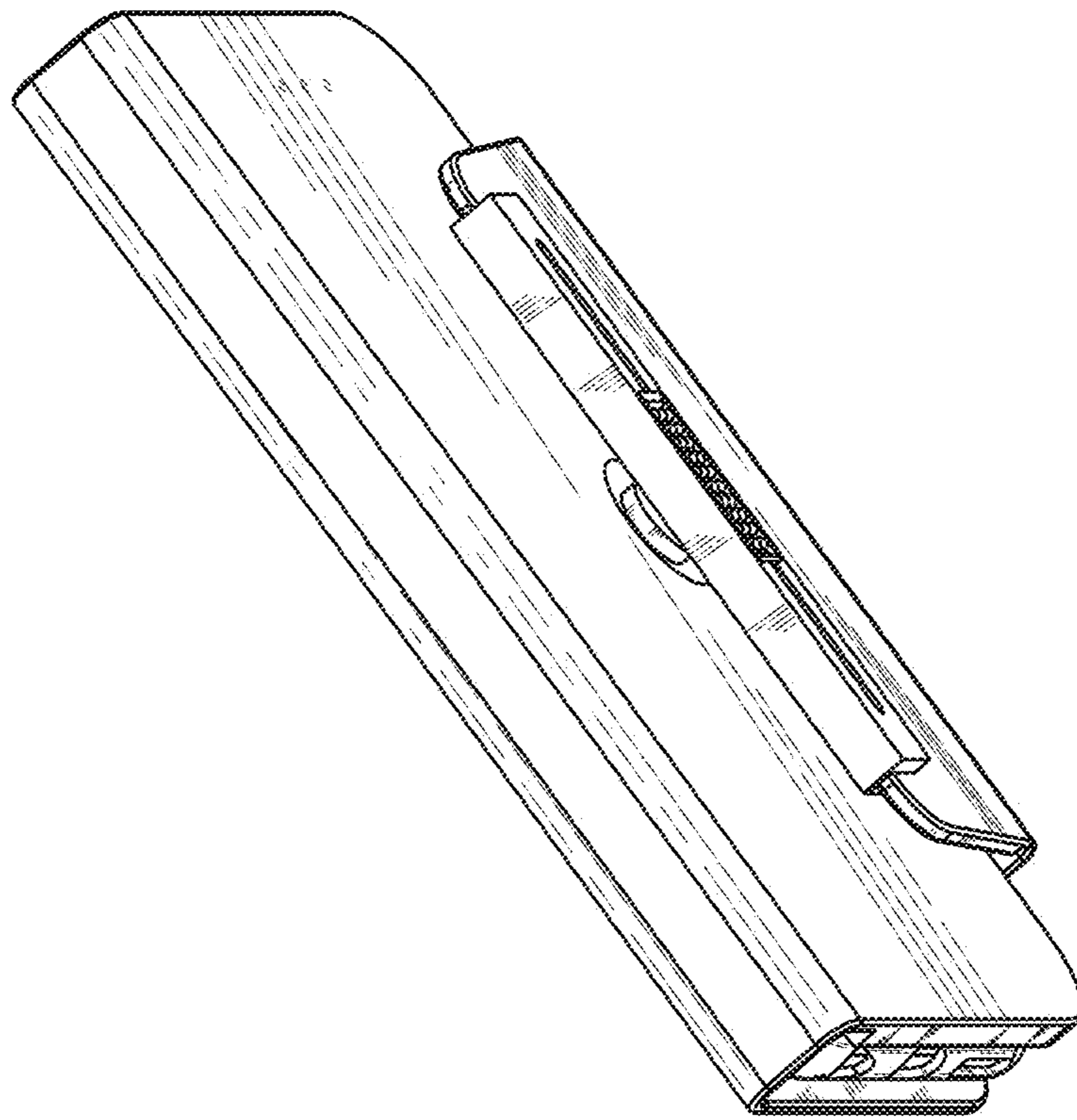


FIG.5

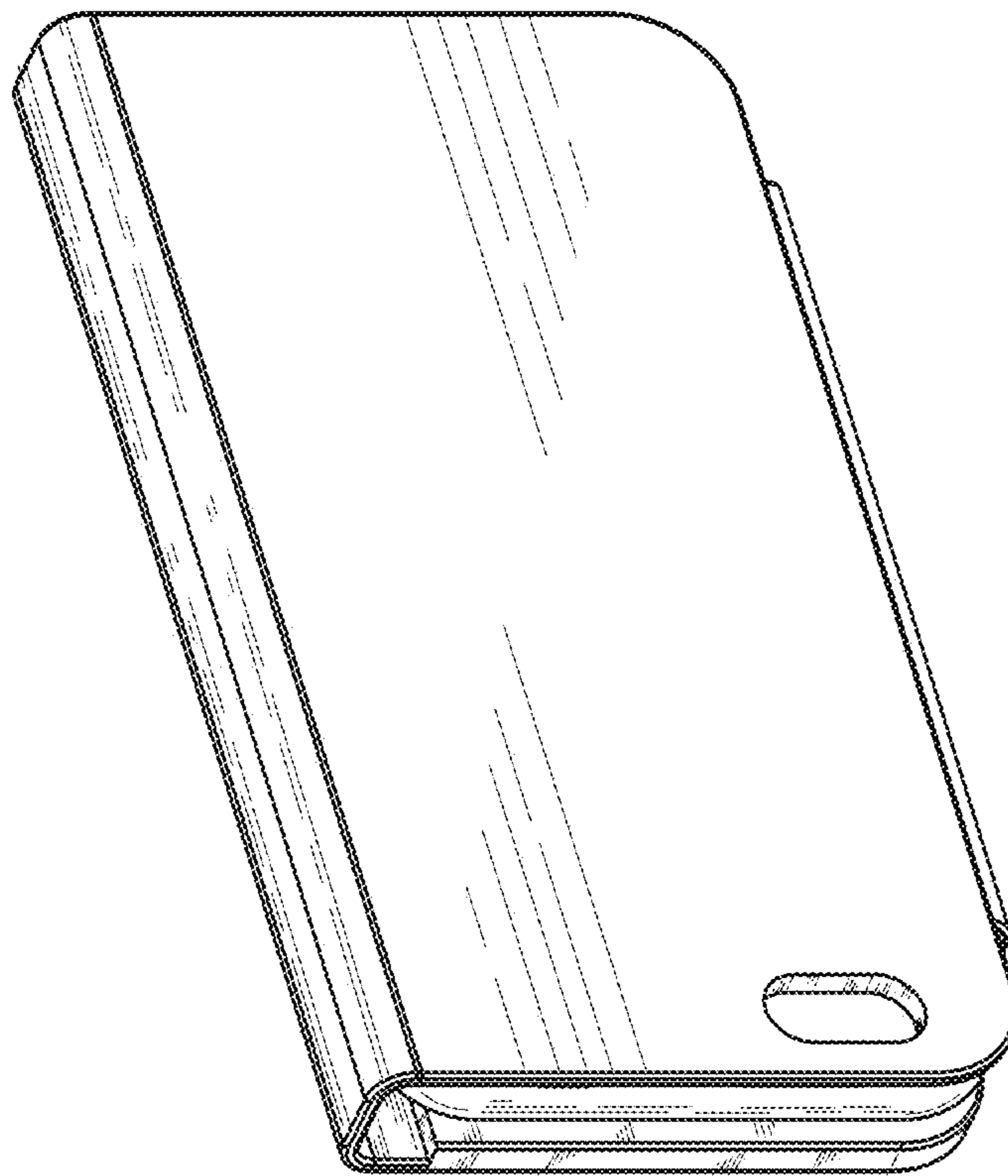


FIG.6

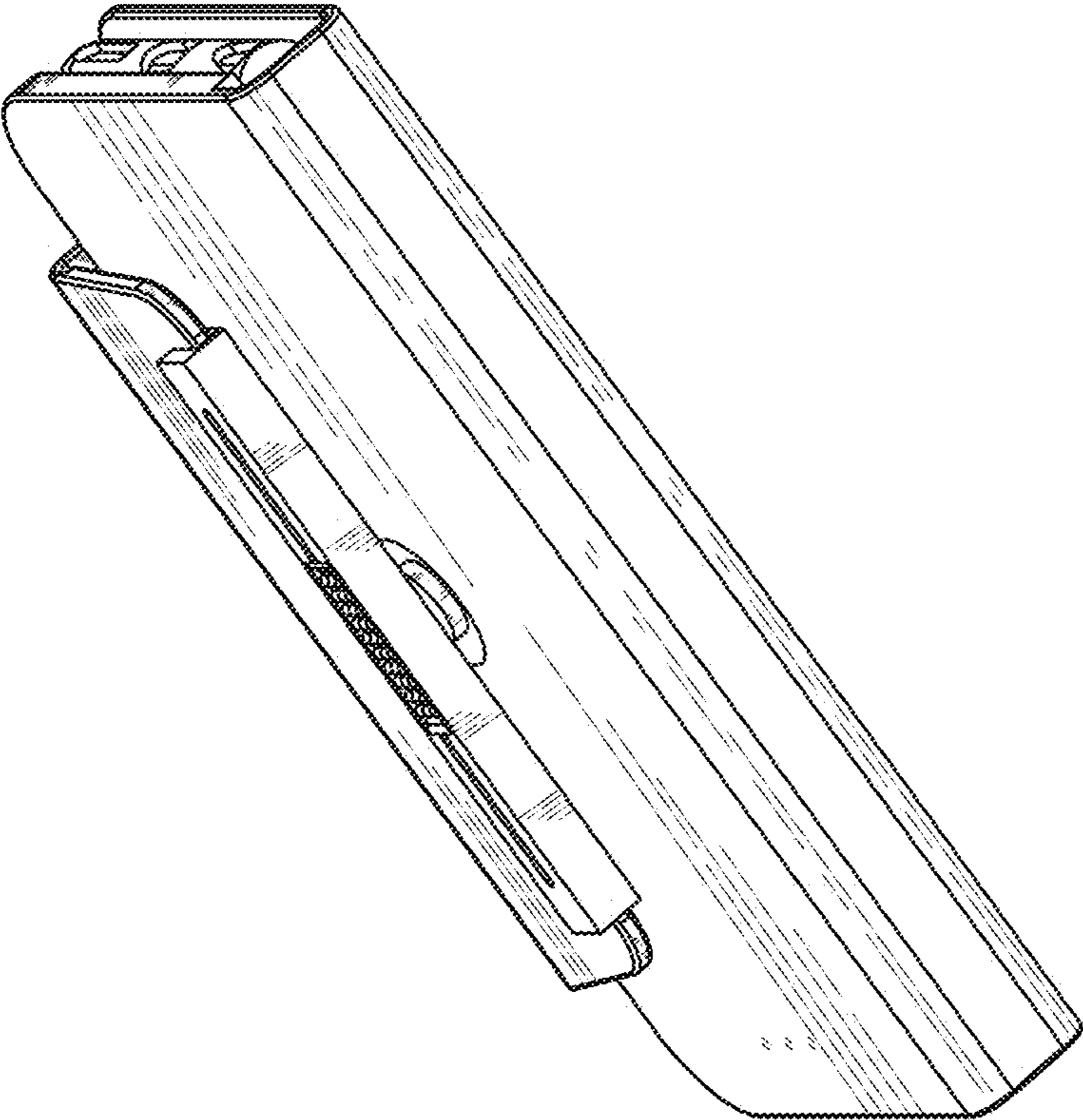


FIG.7



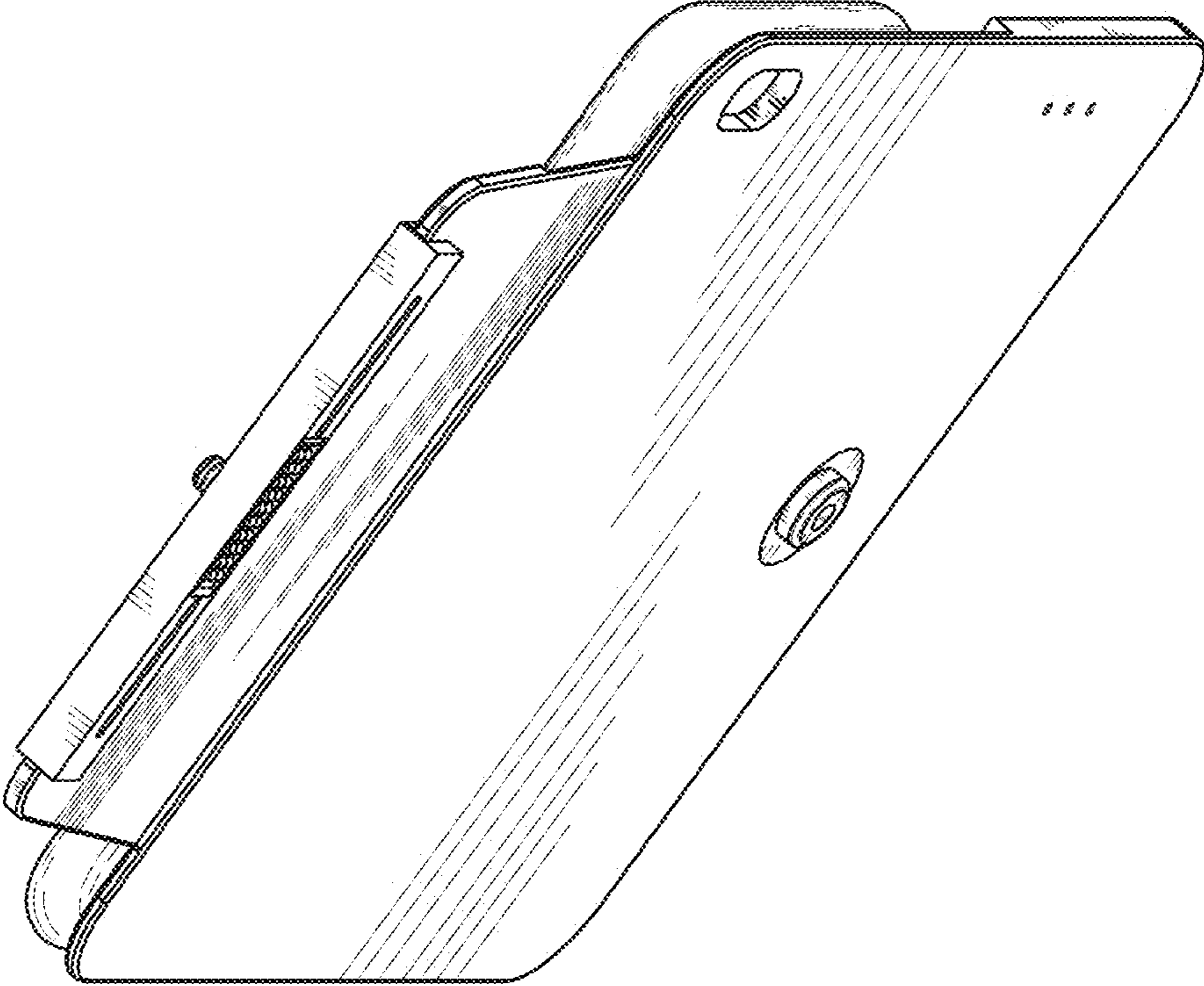


FIG.8

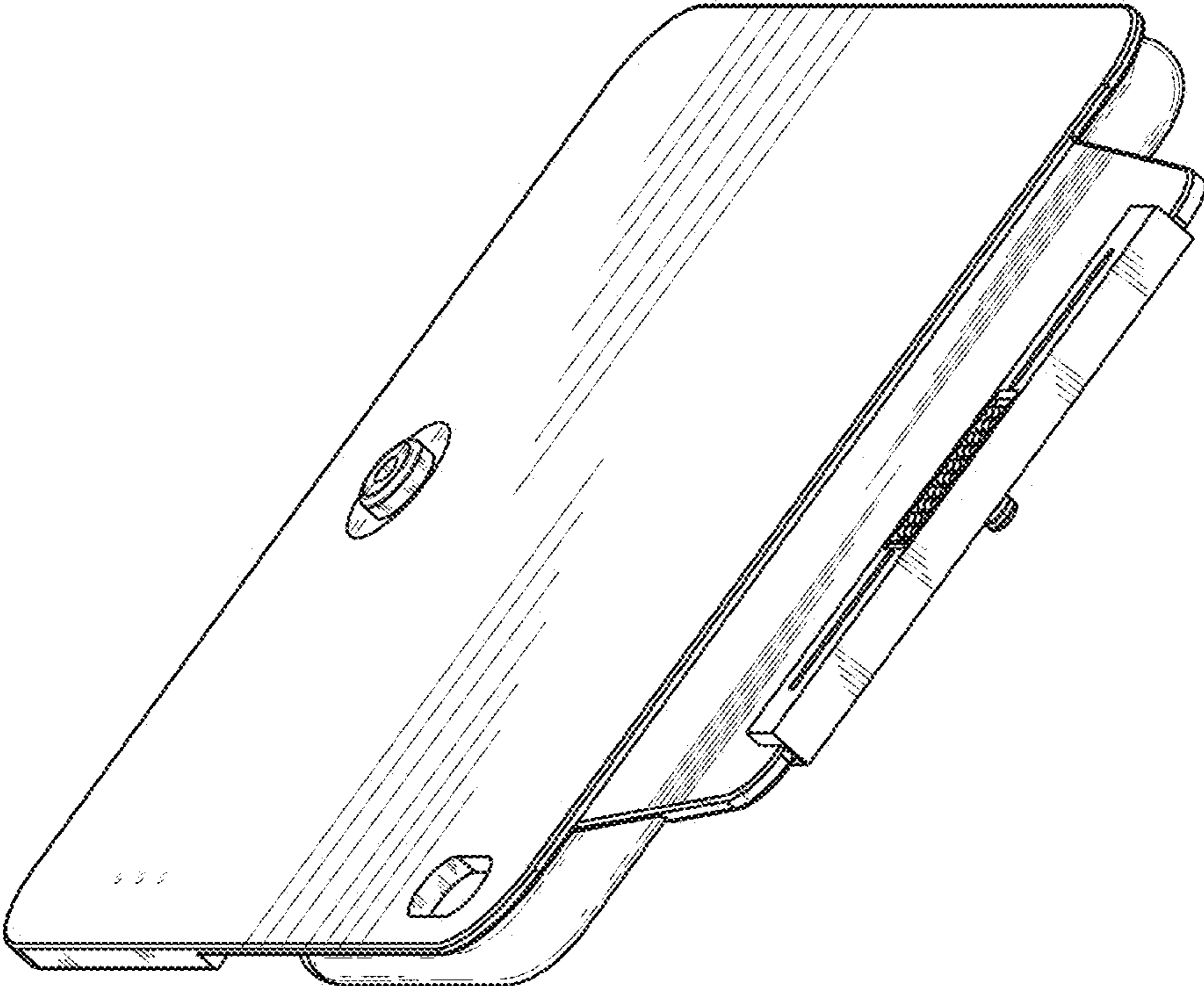


FIG.9

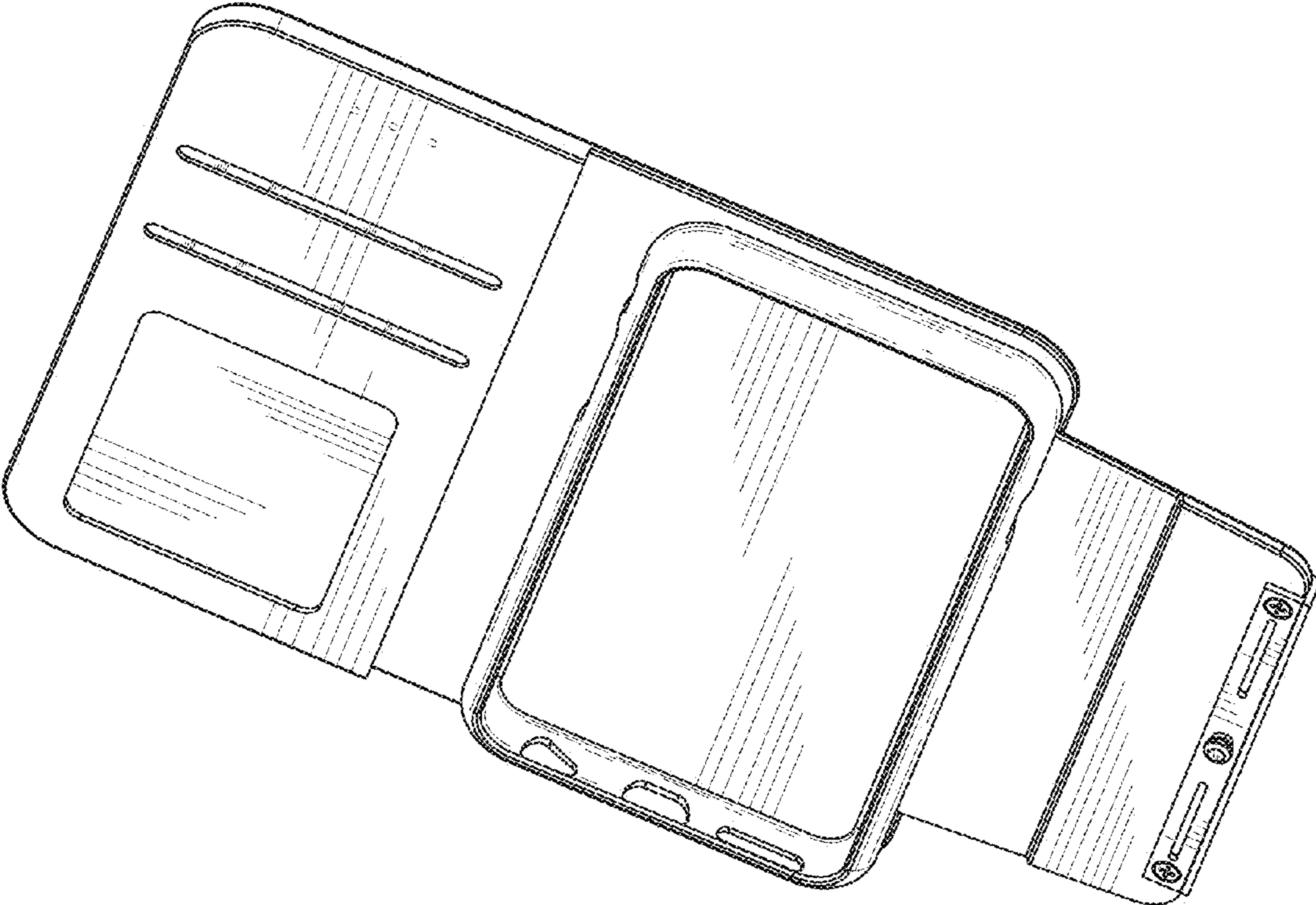


FIG.10

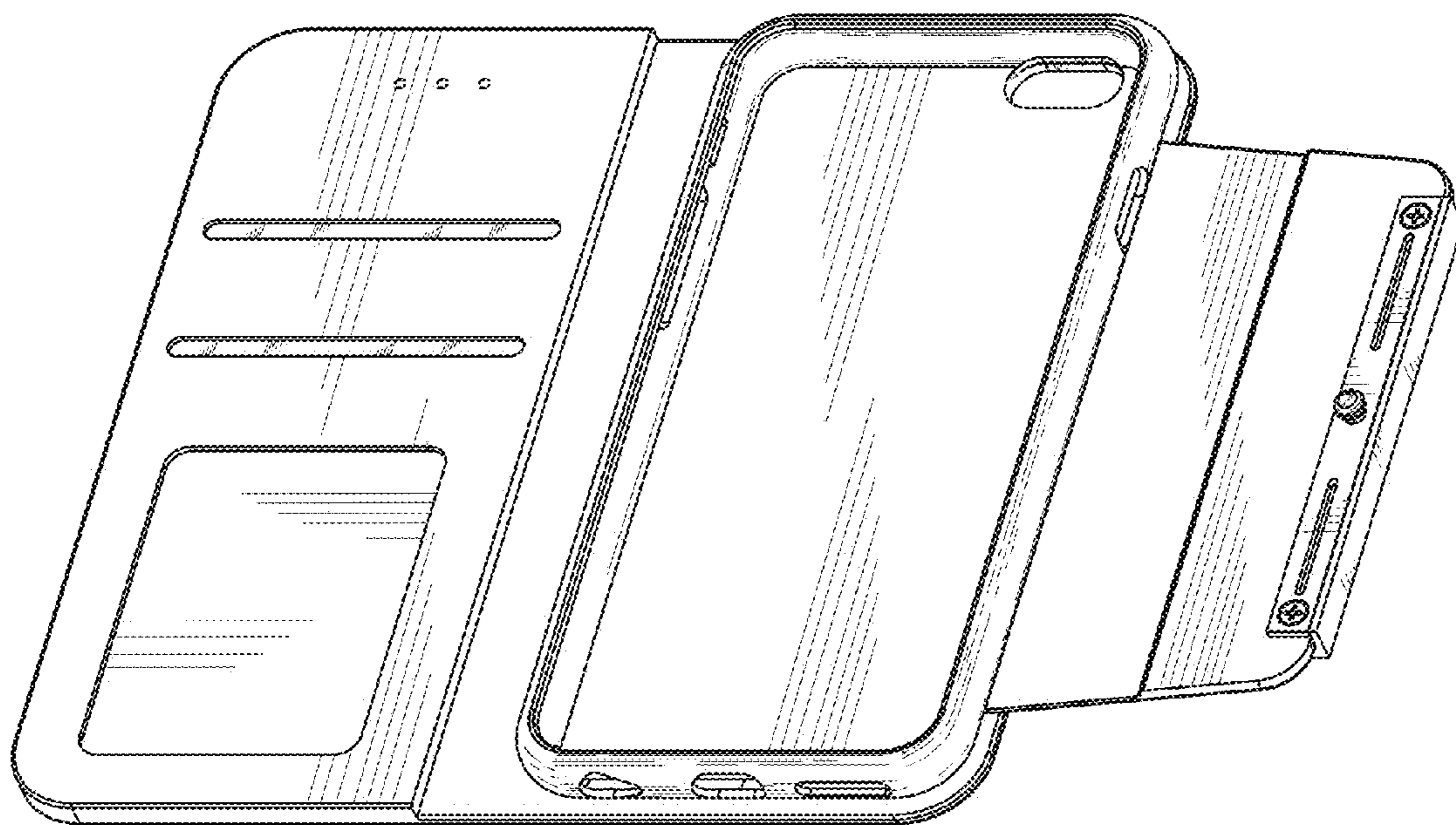


FIG.11

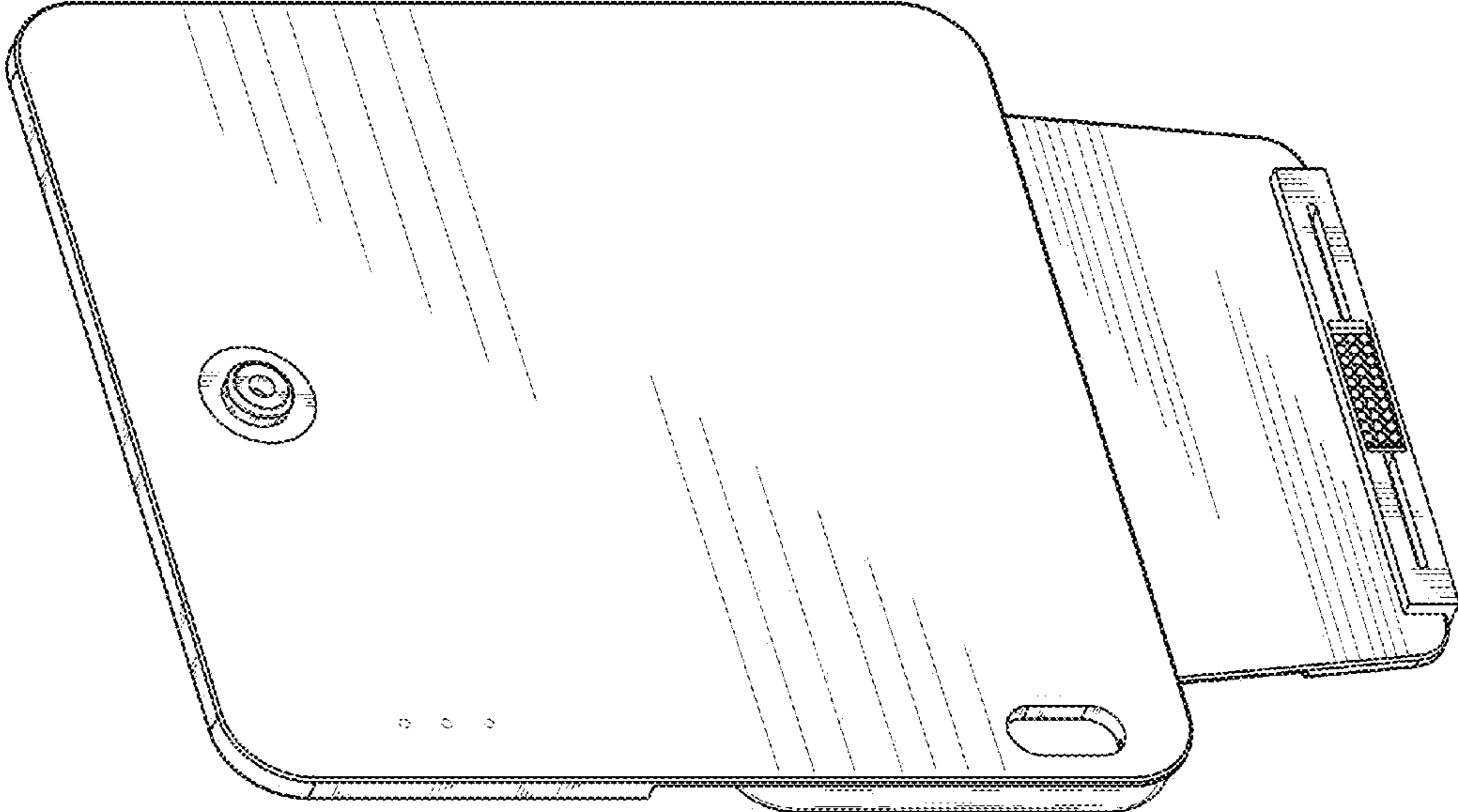


FIG.12