



US00D745777S

(12) **United States Design Patent**  
**Zwetzig et al.**

(10) **Patent No.:** **US D745,777 S**  
(45) **Date of Patent:** **\*\* Dec. 22, 2015**

(54) **BACKPACK**

(71) Applicant: **Thule Organization Solutions, Inc.**,  
Niwot, CO (US)

(72) Inventors: **Nathan Roger Zwetzig**, Westminster,  
CO (US); **Ashley Elizabeth Price**,  
Denver, CO (US)

(73) Assignee: **Thule Organization Solutions, Inc.**,  
Niwot, CO (US)

(\*\*) Term: **14 Years**

(21) Appl. No.: **29/486,046**

(22) Filed: **Mar. 26, 2014**

(51) **LOC (10) Cl.** ..... **03-01**

(52) **U.S. Cl.**  
USPC ..... **D3/217**

(58) **Field of Classification Search**  
USPC ..... D3/201, 213–218, 231, 232, 233, 254,  
D3/267, 273, 274, 279, 283, 285, 286, 287,  
D3/289, 290, 301, 318, 321, 327; 224/153  
CPC ..... A45F 3/04; A45F 4/02; A45F 3/02;  
A45F 3/08; A45F 3/047; A45C 9/00; A45C  
5/14; A45C 13/02; A45C 3/00; A45C 13/08;  
A41D 15/04

See application file for complete search history.

(56) **References Cited**

**U.S. PATENT DOCUMENTS**

D197,546 S	2/1964	Motokane
4,018,369 A	4/1977	Jaeger
D249,189 S	8/1978	Stewart
4,318,502 A	3/1982	Lowe et al.
4,368,835 A	1/1983	Murphy
4,420,103 A	12/1983	Douglass
6,164,509 A	12/2000	Gausling et al.
D441,186 S	5/2001	Daboudet
6,243,892 B1	6/2001	Kelling

D511,620 S	11/2005	Van Himbeeck	
D550,448 S	9/2007	Boje et al.	
D604,503 S	11/2009	Patadia et al.	
D641,973 S	7/2011	Quehl	
7,971,764 B2	7/2011	Sabbah	
D642,791 S	8/2011	Quehl	
8,123,581 B2	2/2012	Aschauer	
8,157,138 B2	4/2012	Leyendecker	
D674,591 S *	1/2013	Hargens et al.	D3/217
D706,534 S *	6/2014	Zwetzig	D3/216
D713,139 S *	9/2014	Ford	D3/217
D725,378 S *	3/2015	Ford	D3/217
D734,032 S *	7/2015	Robinson et al.	D3/283
2008/0029562 A1	2/2008	Hawkins et al.	

**OTHER PUBLICATIONS**

U.S. Appl. No. 29/432,002, filed Sep. 12, 2012, Taylor.  
Notice of Allowance for U.S. Appl. No. 29/432,002 mailed Sep. 30,  
2013, 10 pages.

\* cited by examiner

*Primary Examiner* — George D Kirschbaum

*Assistant Examiner* — Jennifer Watkins

(74) *Attorney, Agent, or Firm* — Sheridan Ross P.C.

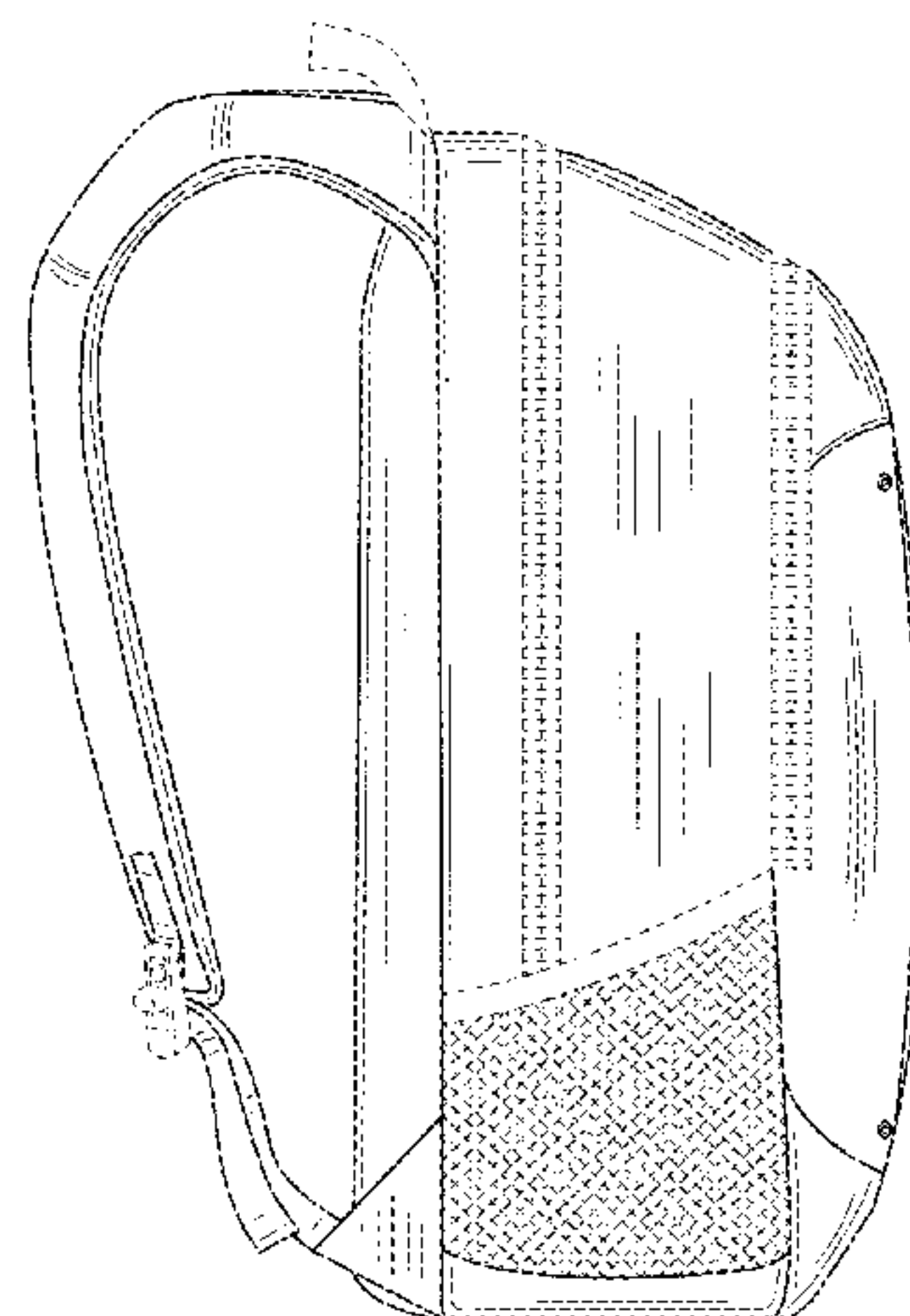
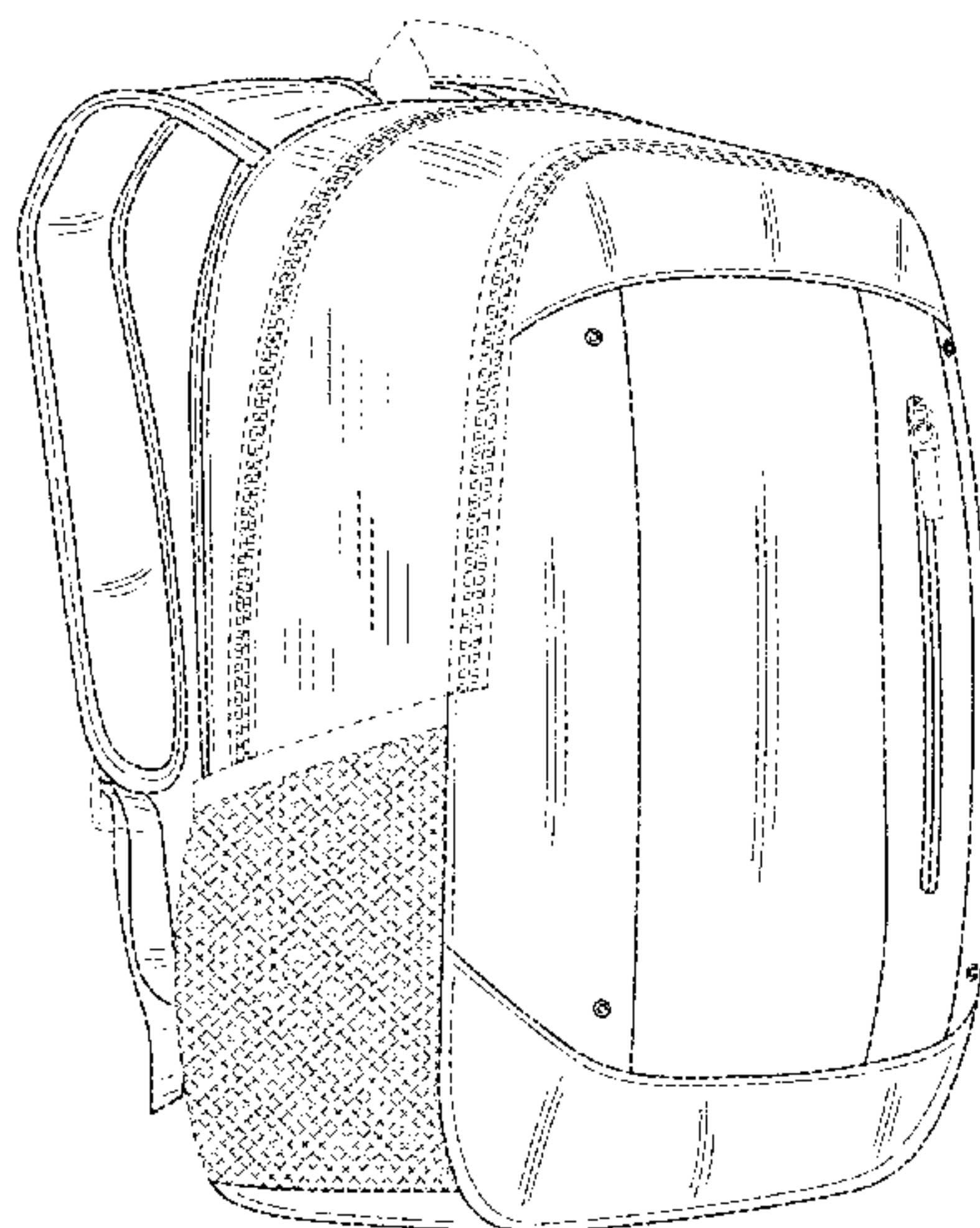
(57) **CLAIM**

The ornamental design for a backpack, as shown and  
described.

**DESCRIPTION**

FIG. 1 is a front perspective view of the backpack;  
FIG. 2 is a front elevation view thereof;  
FIG. 3 is a rear elevation view thereof;  
FIG. 4 is a right elevation view thereof;  
FIG. 5 is a left elevation view thereof;  
FIG. 6 is a top plan view thereof; and,  
FIG. 7 is a bottom plan view thereof.  
The broken lines in the drawings are for the purpose of illus-  
trating portions of the backpack which form no part of the  
claim.

**1 Claim, 7 Drawing Sheets**



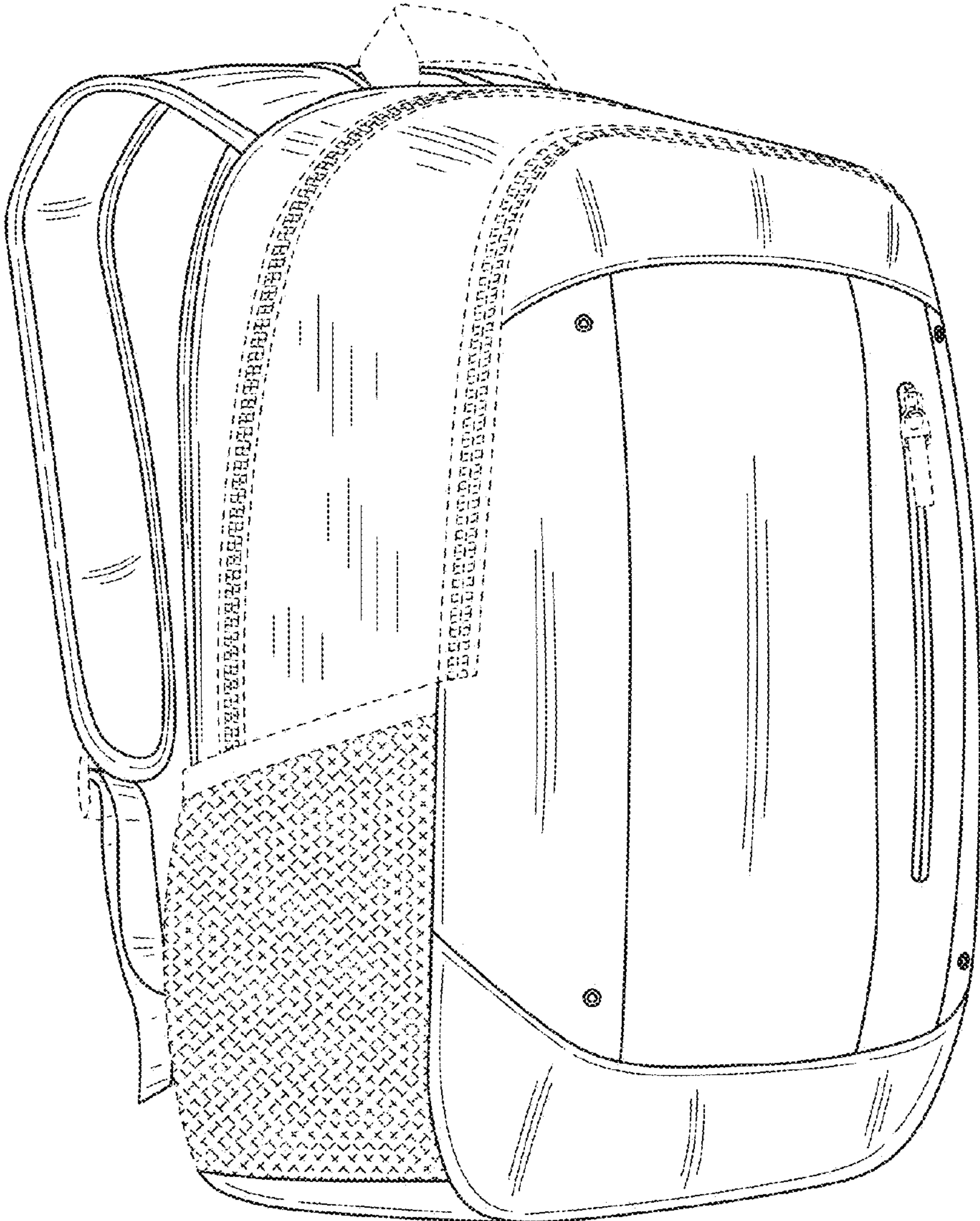


FIG. 1

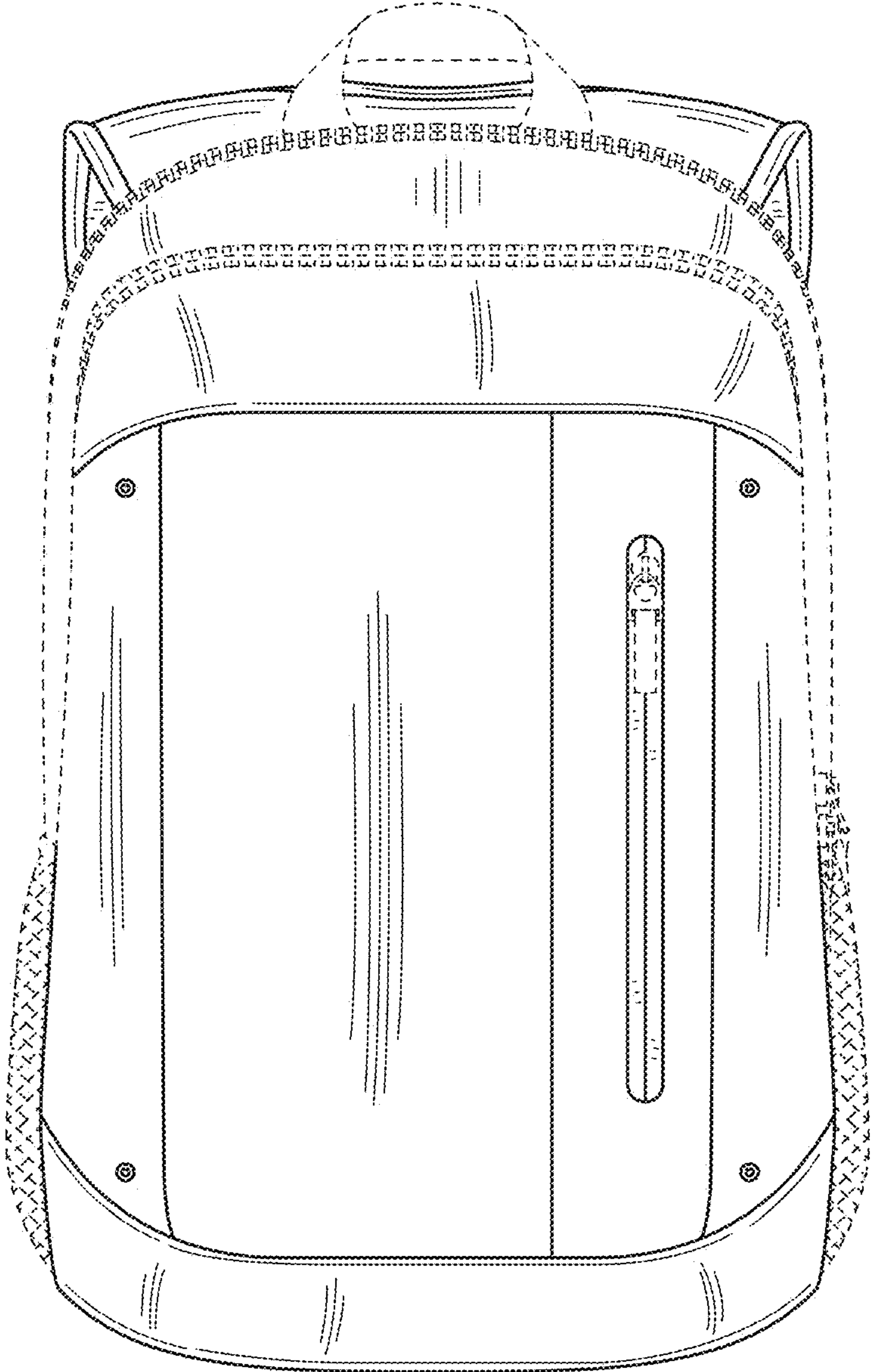


FIG. 2



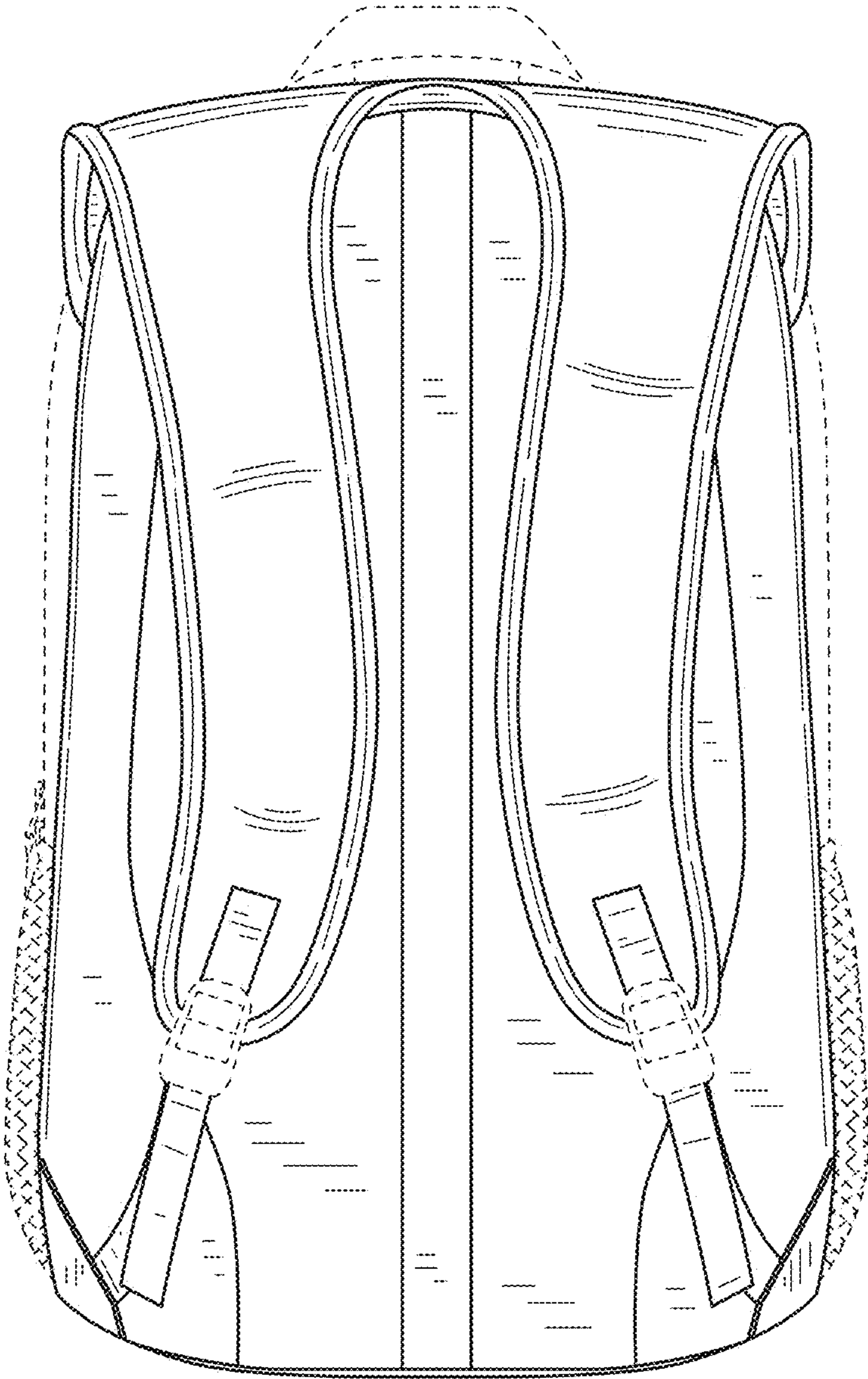


FIG.3

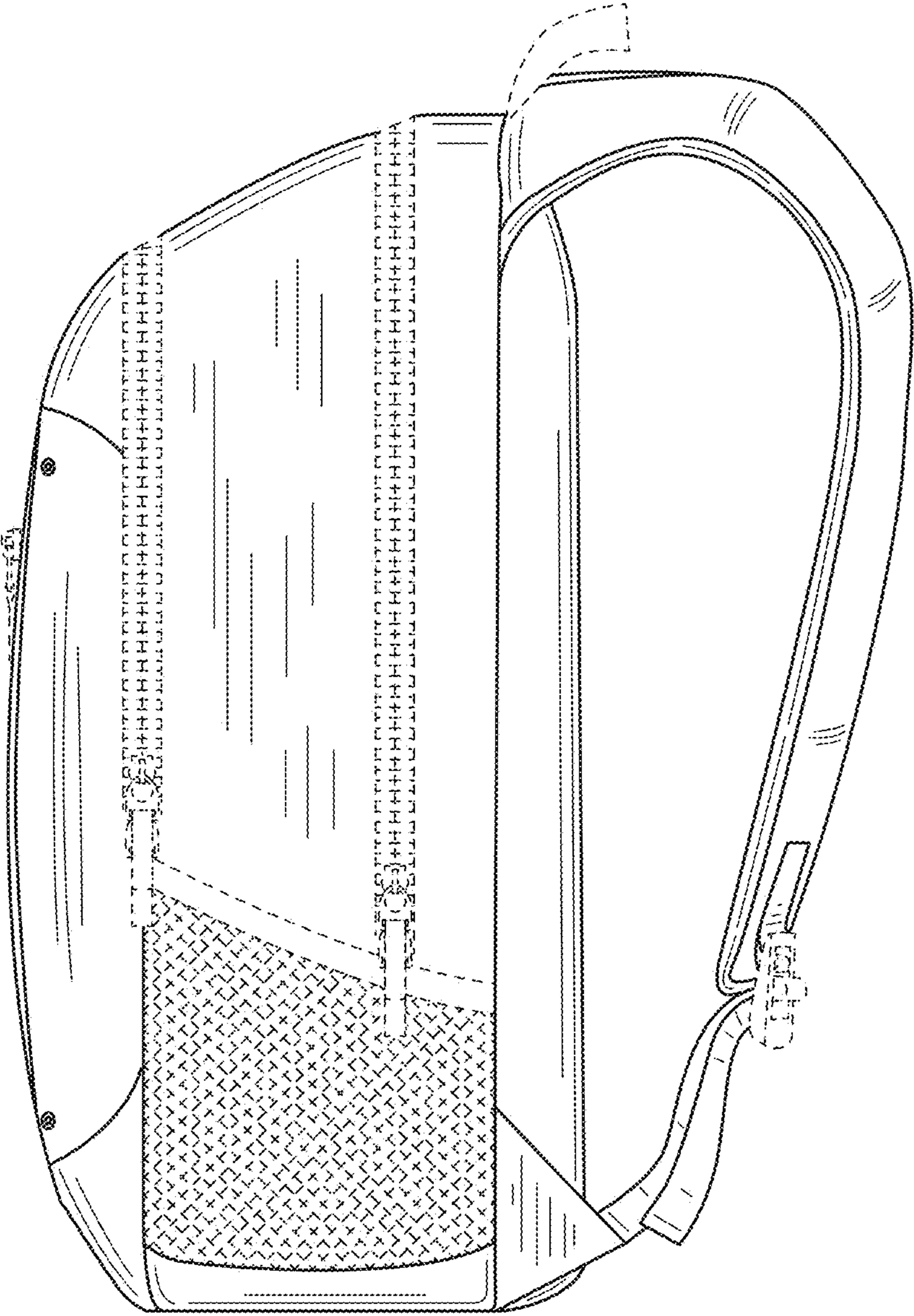


FIG.4

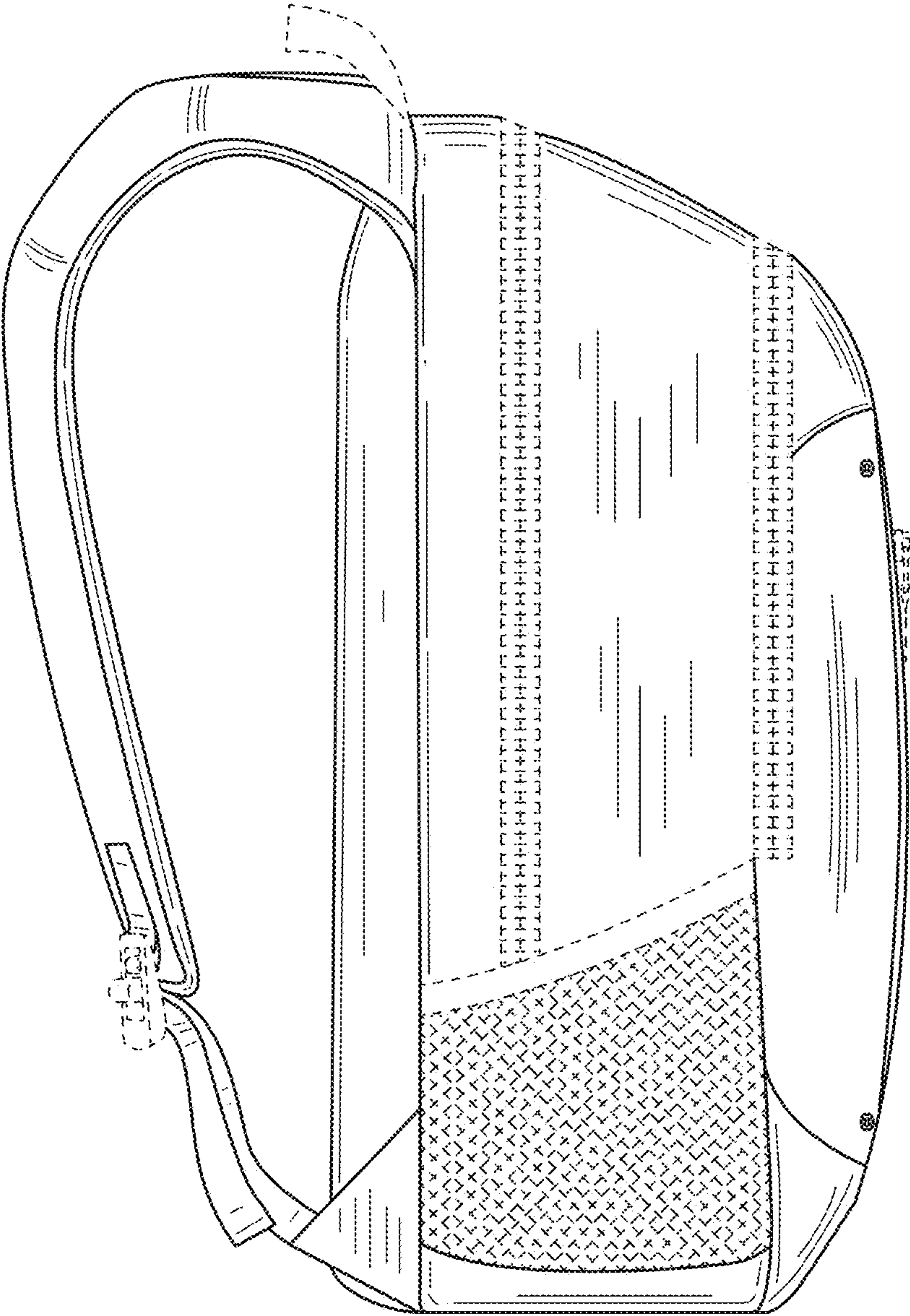


FIG.5

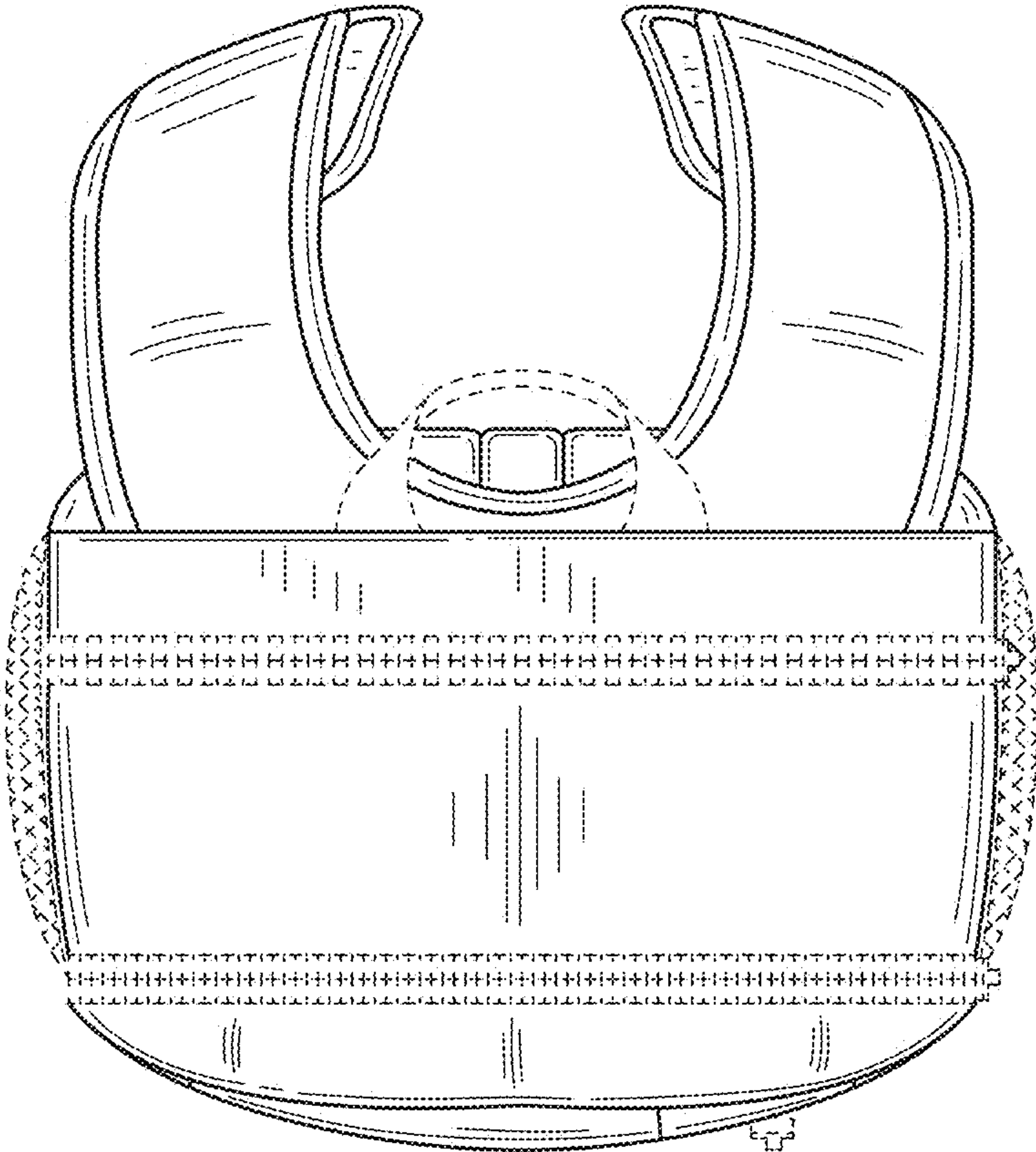


FIG. 6



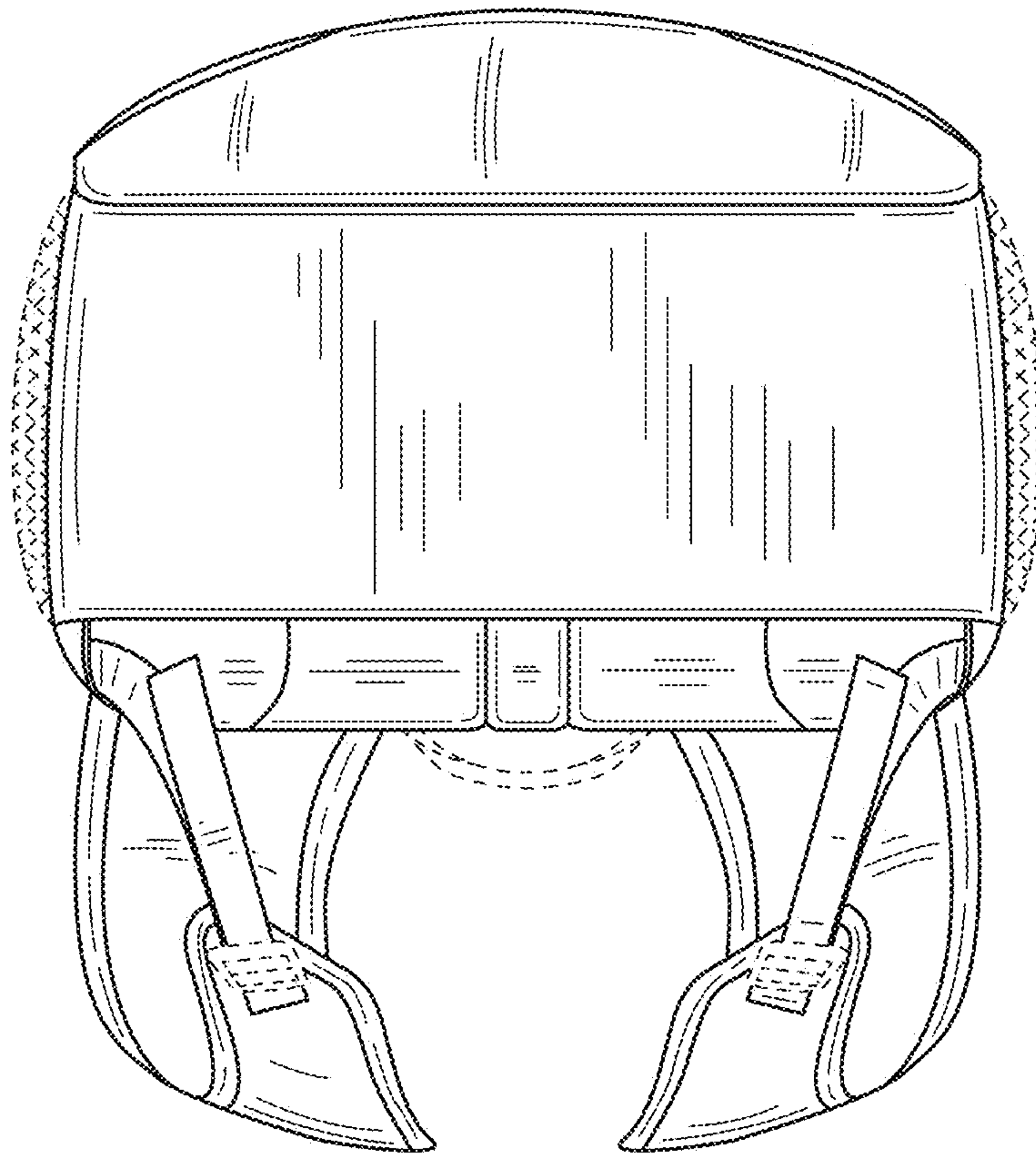


FIG.7