



US00D745776S

(12) **United States Design Patent**  
**Perreault**

(10) **Patent No.:** **US D745,776 S**  
(45) **Date of Patent:** **\*\* Dec. 22, 2015**

(54) **HOLSTER ASSEMBLY**

(71) Applicant: **Kevin J. Perreault**, Greenville, SC (US)

(72) Inventor: **Kevin J. Perreault**, Greenville, SC (US)

(\*\*) Term: **14 Years**

(21) Appl. No.: **29/495,900**

(22) Filed: **Jul. 7, 2014**

(51) **LOC (10) Cl.** ..... **03-01**

(52) **U.S. Cl.**  
USPC ..... **D3/215**

(58) **Field of Classification Search**

USPC ..... D3/215; 224/191, 197, 240, 242, 245,  
224/268, 271–272, 673, 667, 669, 904,  
224/908; 24/580.11, 663, 667, 669, 682.1,  
24/DIG. 60

See application file for complete search history.

(56) **References Cited**

**U.S. PATENT DOCUMENTS**

D316,484 S \* 4/1991 Kounis ..... D3/215  
5,375,749 A \* 12/1994 Oliva ..... A45F 5/02  
224/242  
6,145,717 A \* 11/2000 Rebeck ..... A45F 5/14  
224/242  
6,578,745 B1 \* 6/2003 Taylor ..... A45F 5/02  
224/197  
D657,551 S \* 4/2012 Lynn ..... D3/215  
D710,595 S \* 8/2014 Clifton, Jr. .... D3/215

\* cited by examiner

*Primary Examiner* — Catheri Oliver-Garcia

(74) *Attorney, Agent, or Firm* — Amy Allen Hinson; Nexsen  
Pruet, LLC

(57) **CLAIM**

I claim the ornamental design for a holster assembly, substantially as shown and described.

**DESCRIPTION**

FIG. 1 is a perspective view of an embodiment of the holster assembly of the present invention wherein the clip is positioned within the slot of the holder;

FIG. 2 is a perspective view of an embodiment of the holster assembly of the present invention wherein the clip is removed from the slot of the holder;

FIG. 3 is another perspective view of the holster assembly of FIG. 1;

FIG. 4 is another perspective view of the holster assembly of FIG. 2;

FIG. 5 is a rear elevation view of FIG. 1;

FIG. 6 is a first side elevation view of FIG. 1;

FIG. 7 is a front elevation view of FIG. 1;

FIG. 8 is a second side elevation view of FIG. 1;

FIG. 9 is a bottom view of FIG. 1;

FIG. 10 is a top plan view of FIG. 1;

FIG. 11 is a perspective view of an embodiment of the clip of the holster assembly of the present invention;

FIG. 12 is another perspective view of the clip of FIG. 11;

FIG. 13 is a first side elevation view of the clip of FIG. 11;

FIG. 14 is a front elevation view of the clip of FIG. 11;

FIG. 15 is a second side elevation view of the clip of FIG. 11;

FIG. 16 is a bottom view of the clip of FIG. 11;

FIG. 17 is a rear elevation view of the clip of FIG. 11;

FIG. 18 is a top plan view of the clip of FIG. 11;

FIG. 19 is a first side elevation view of an embodiment of the holder of the holster assembly of the present invention;

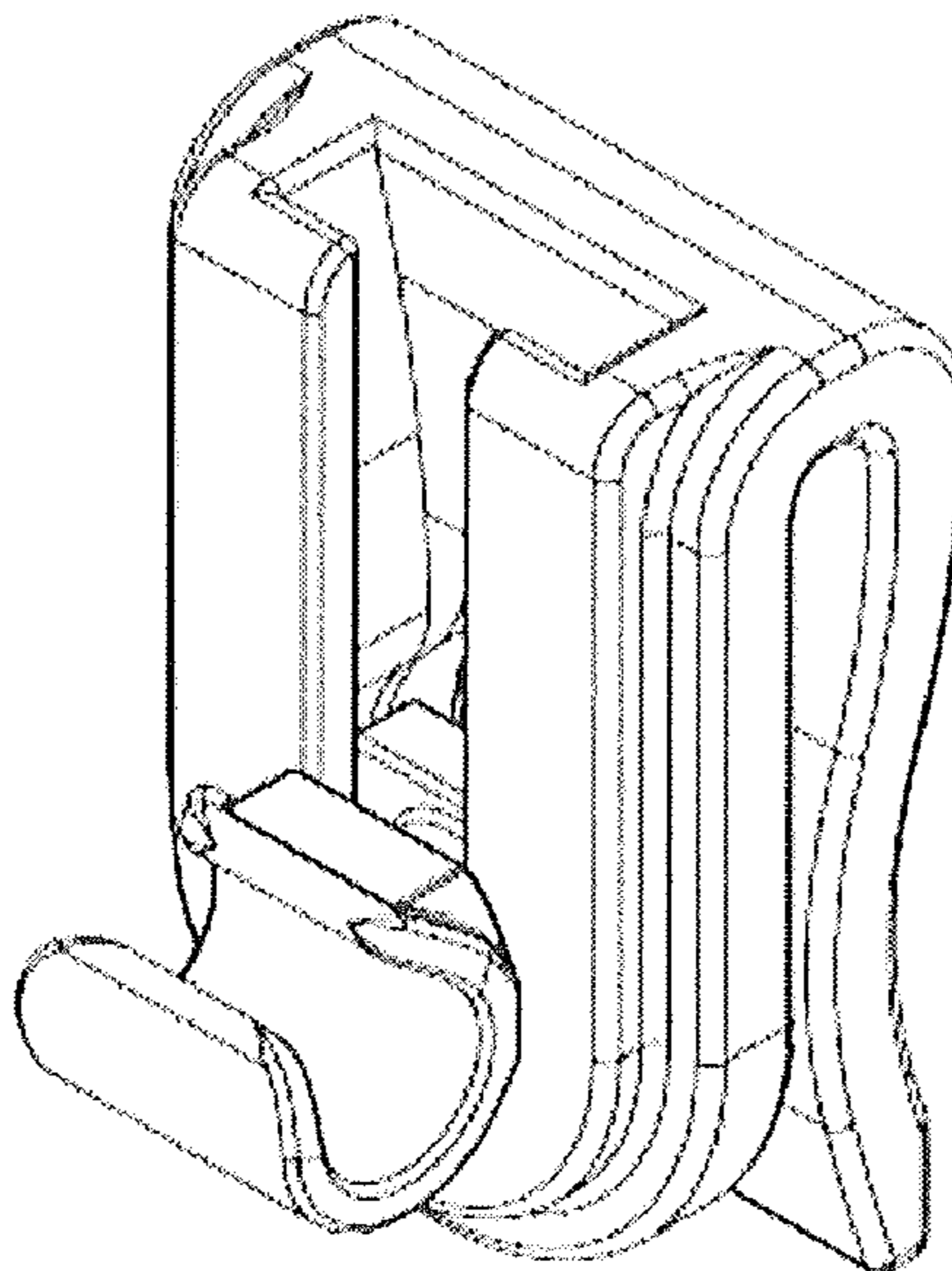
FIG. 20 is a front elevation view of the holder of FIG. 19;

FIG. 21 is a second side elevation view of the holder of FIG. 19; and,

FIG. 22 is a rear elevation view of the holder of FIG. 19.

Dotted lines form no part of the claimed invention.

**1 Claim, 5 Drawing Sheets**



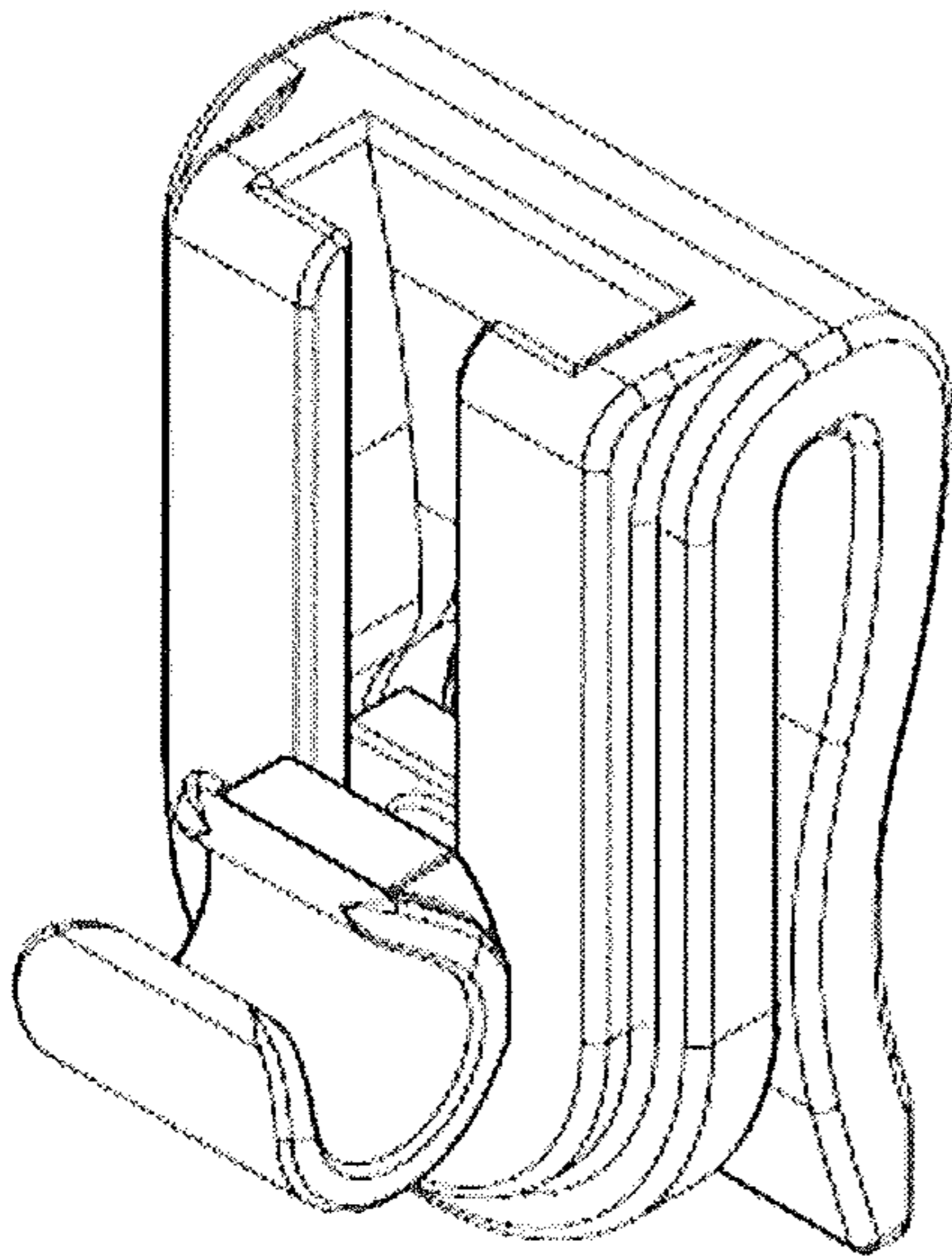


FIG. 1

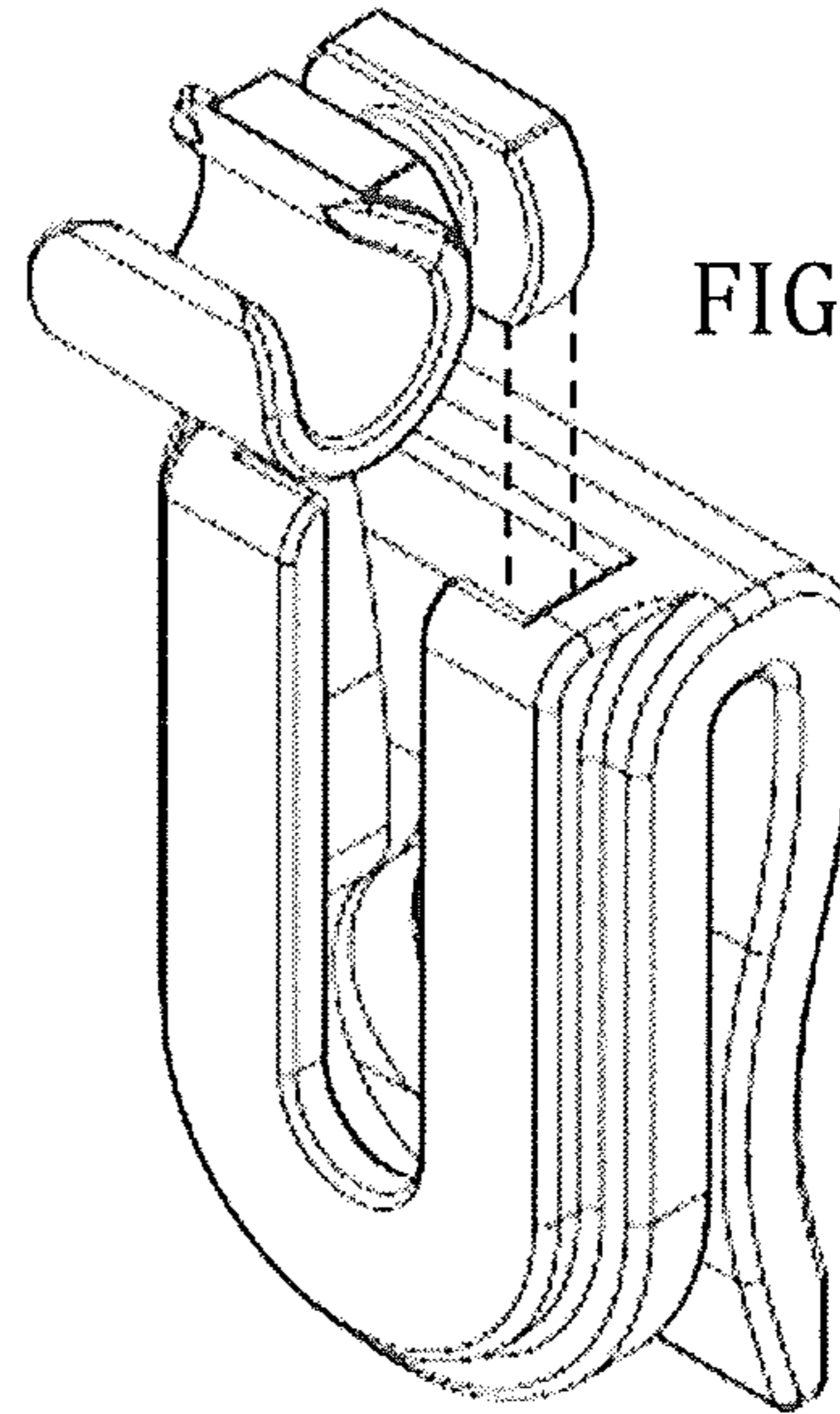


FIG. 2

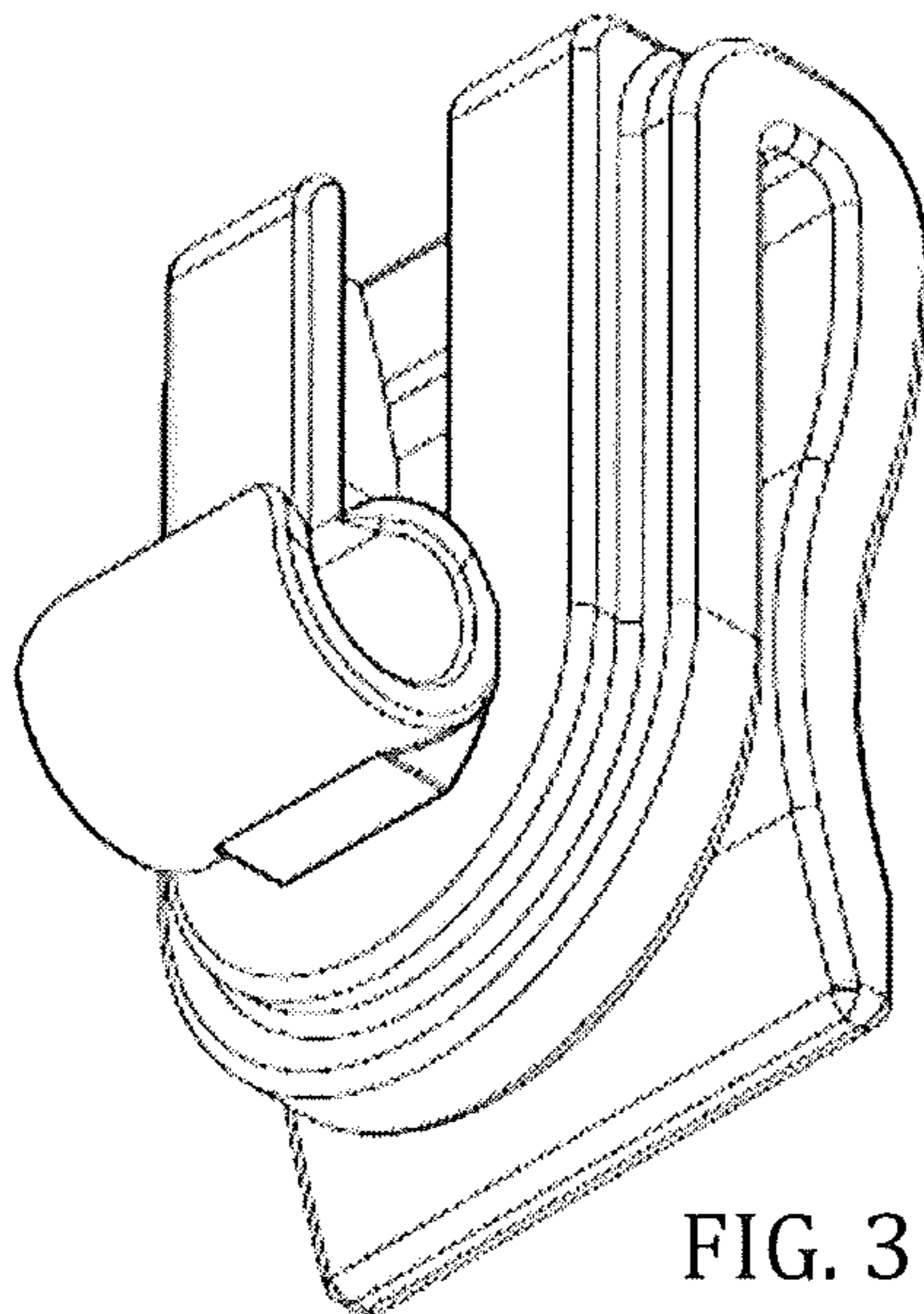


FIG. 3

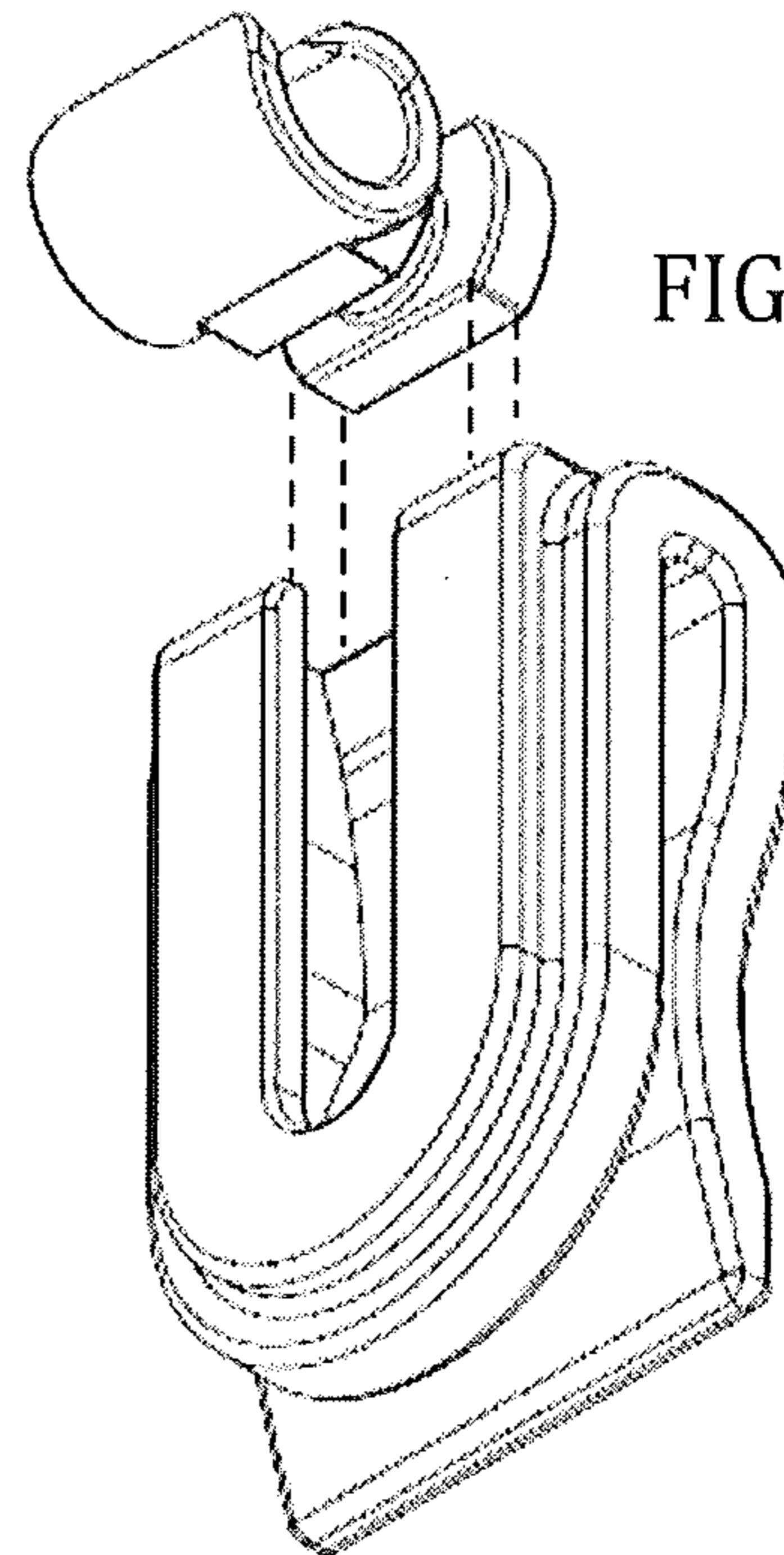


FIG. 4

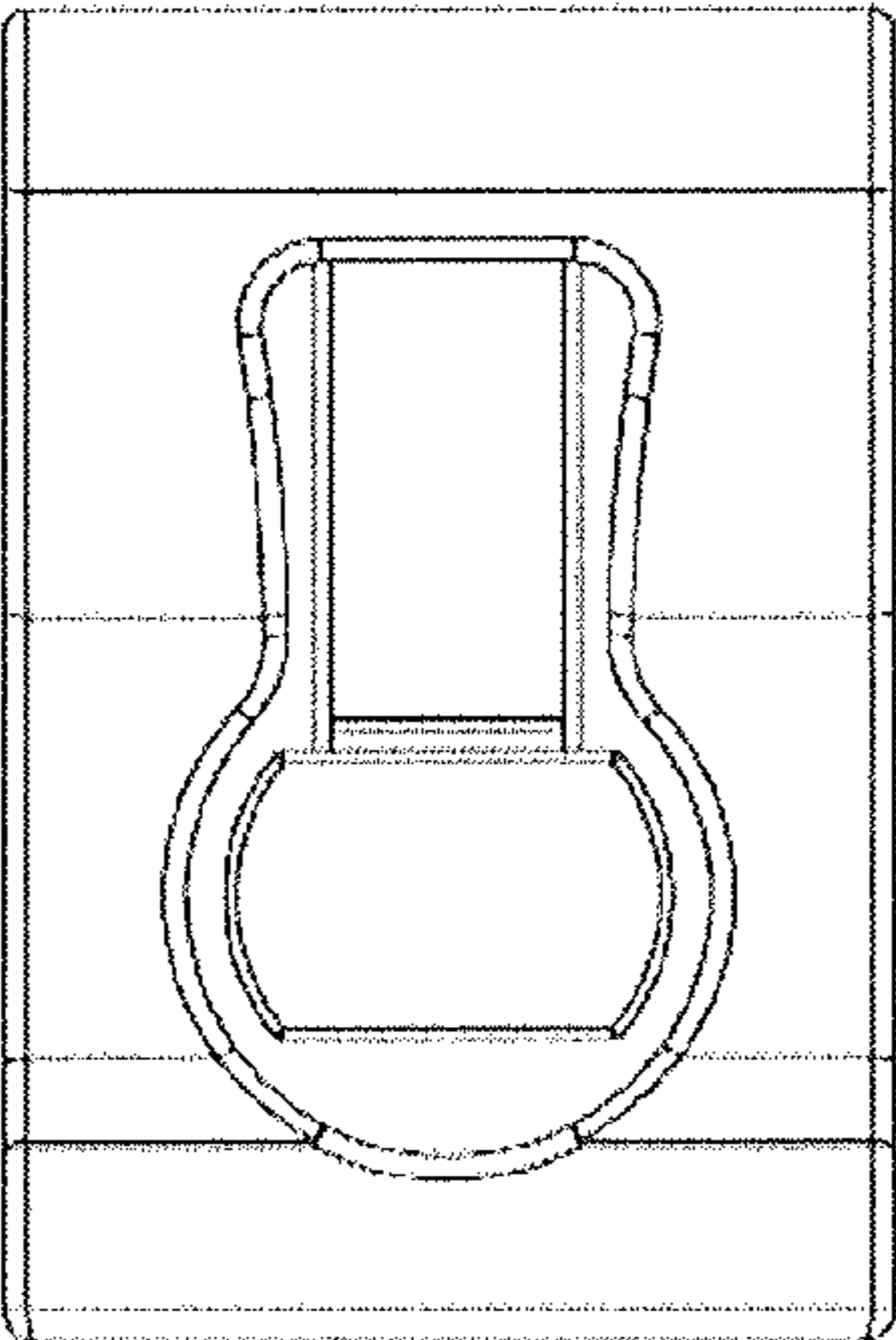


FIG. 5

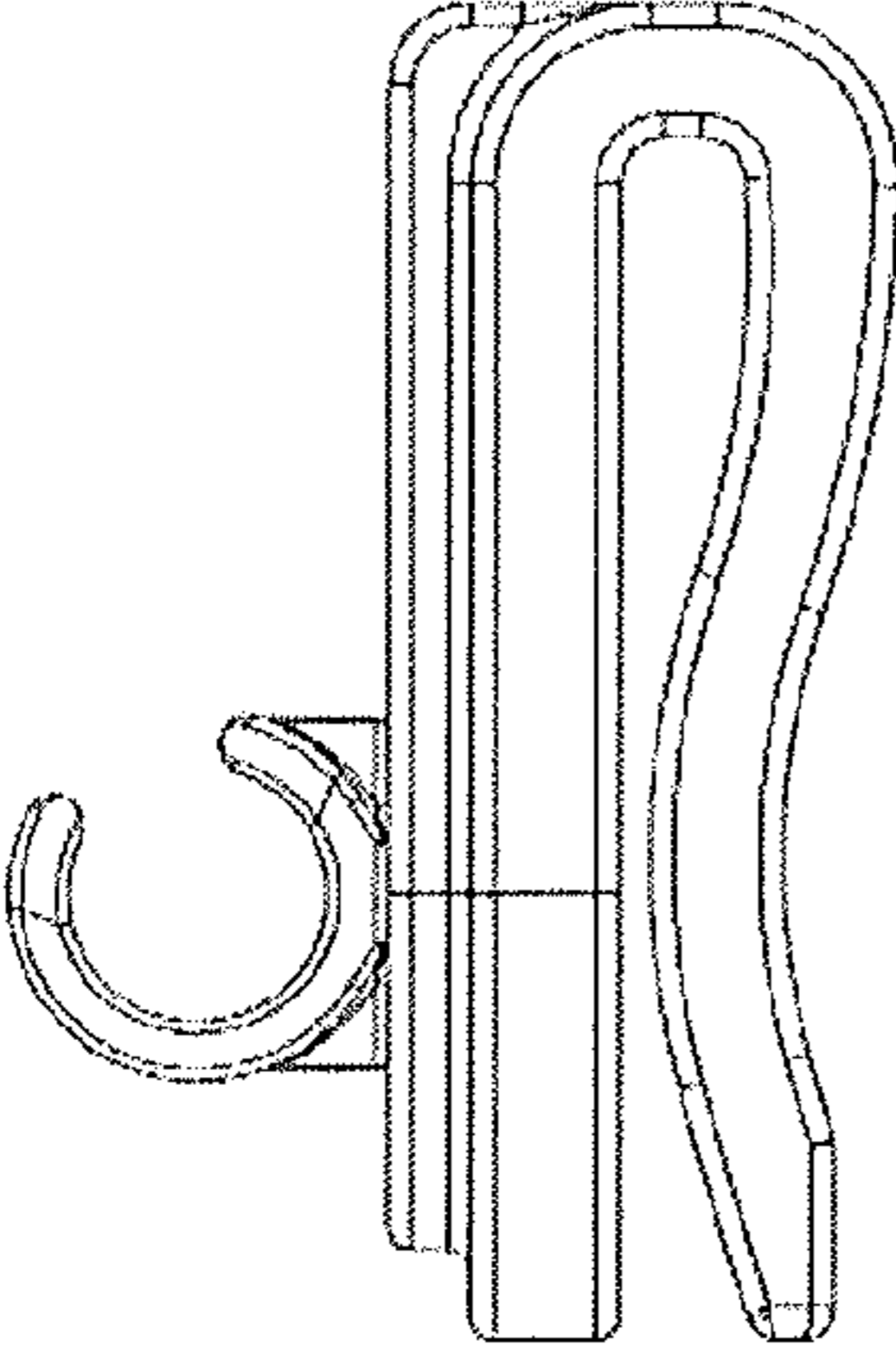


FIG. 6

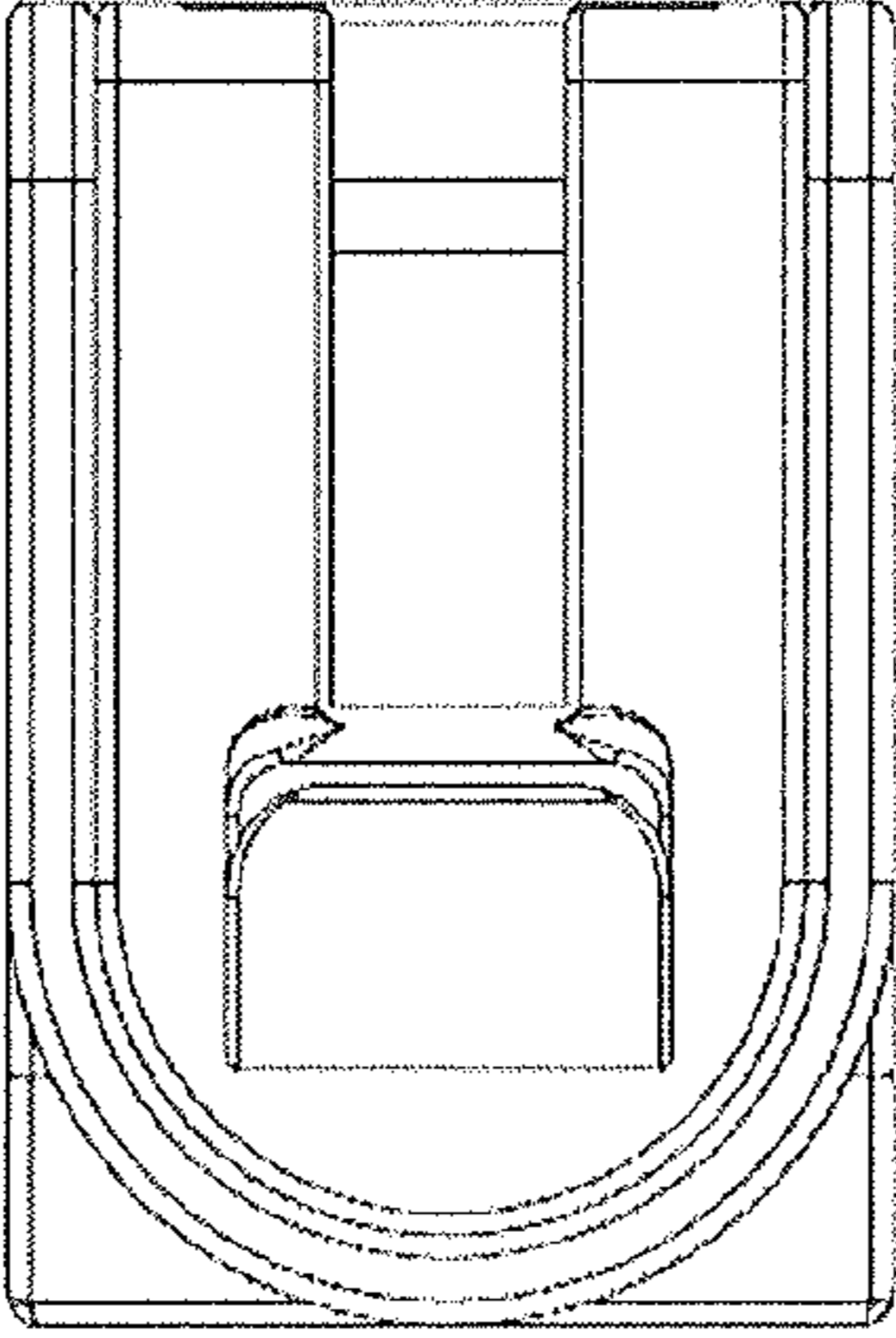


FIG. 7

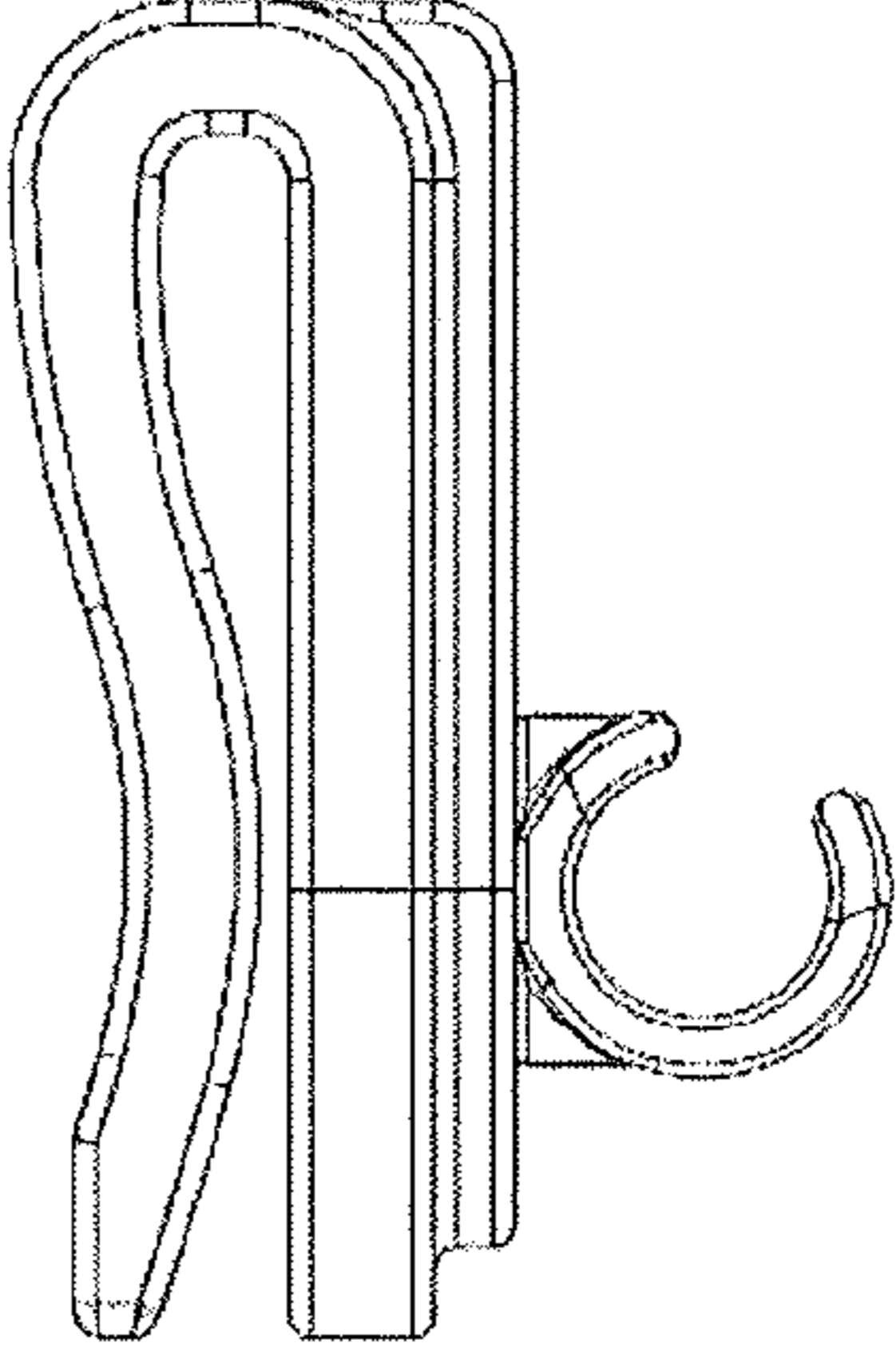


FIG. 8

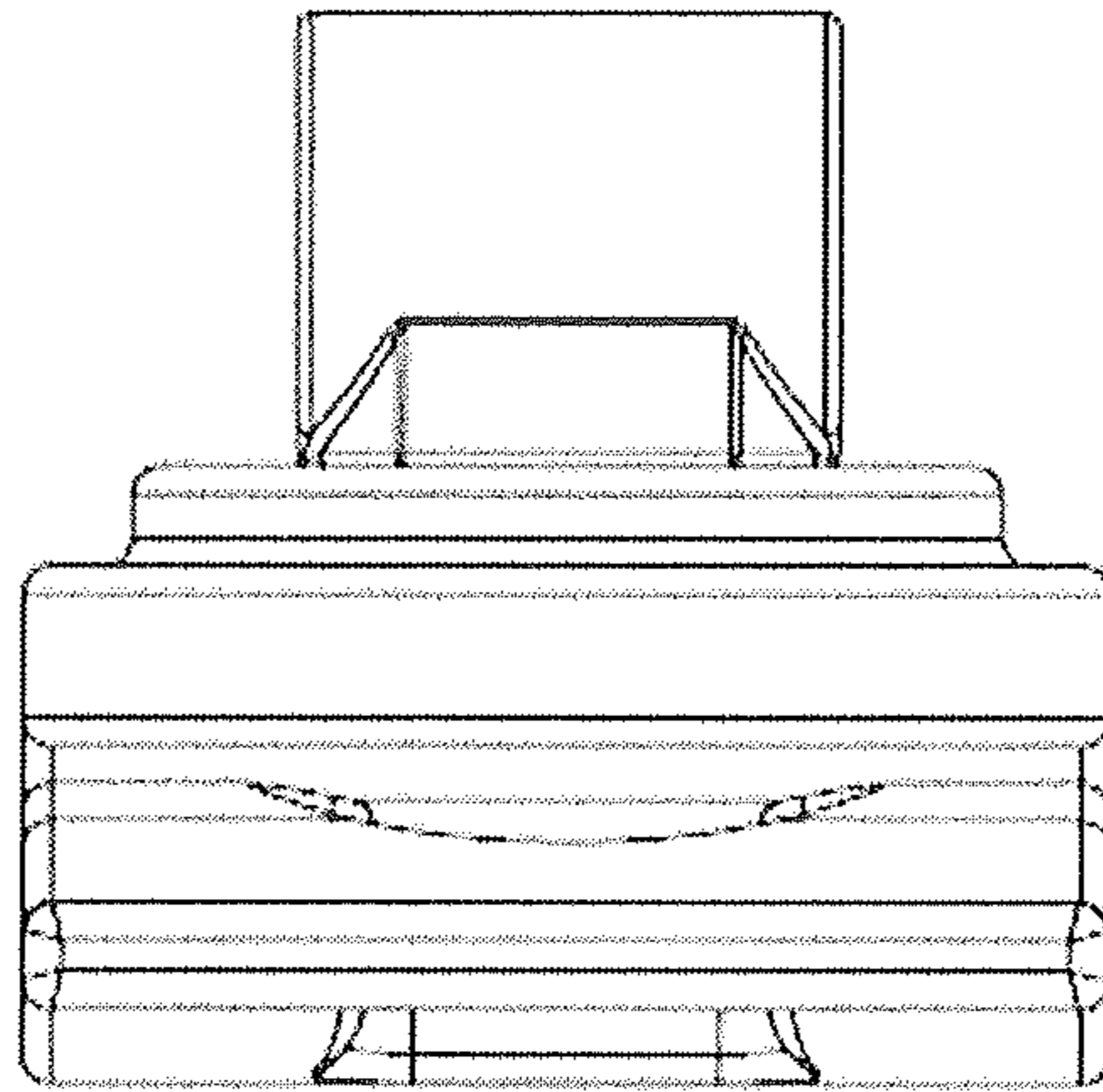


FIG. 9

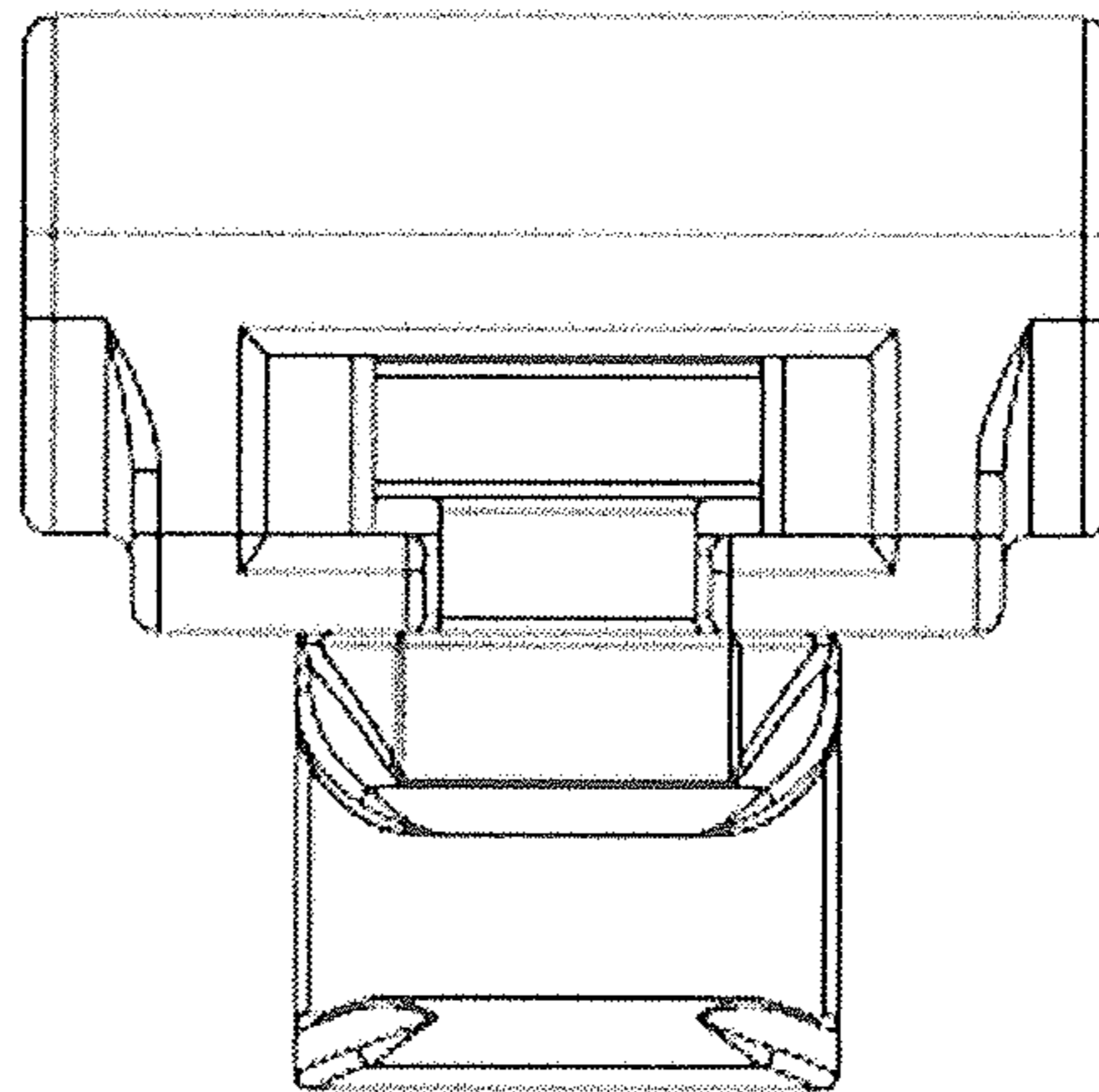


FIG. 10

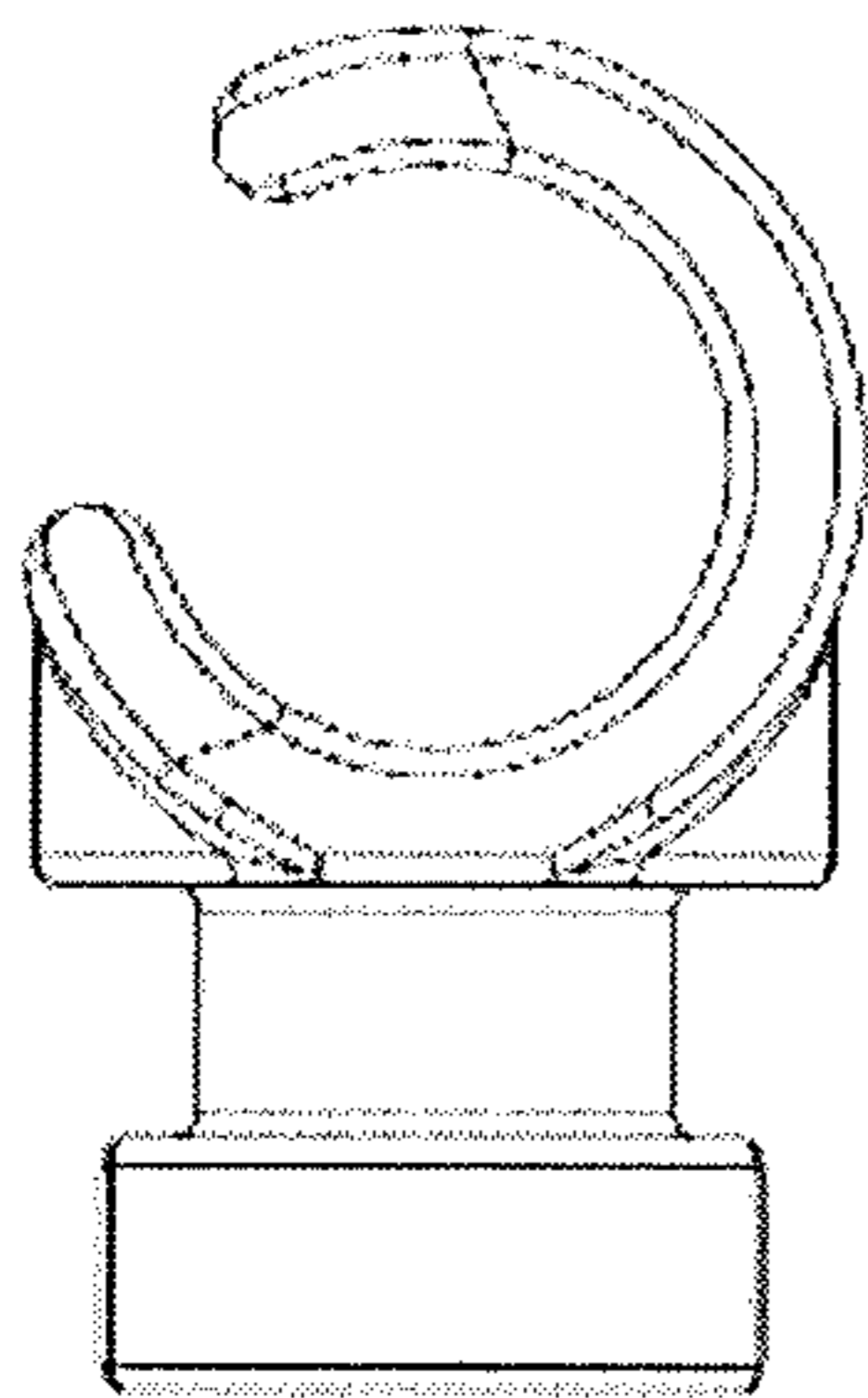
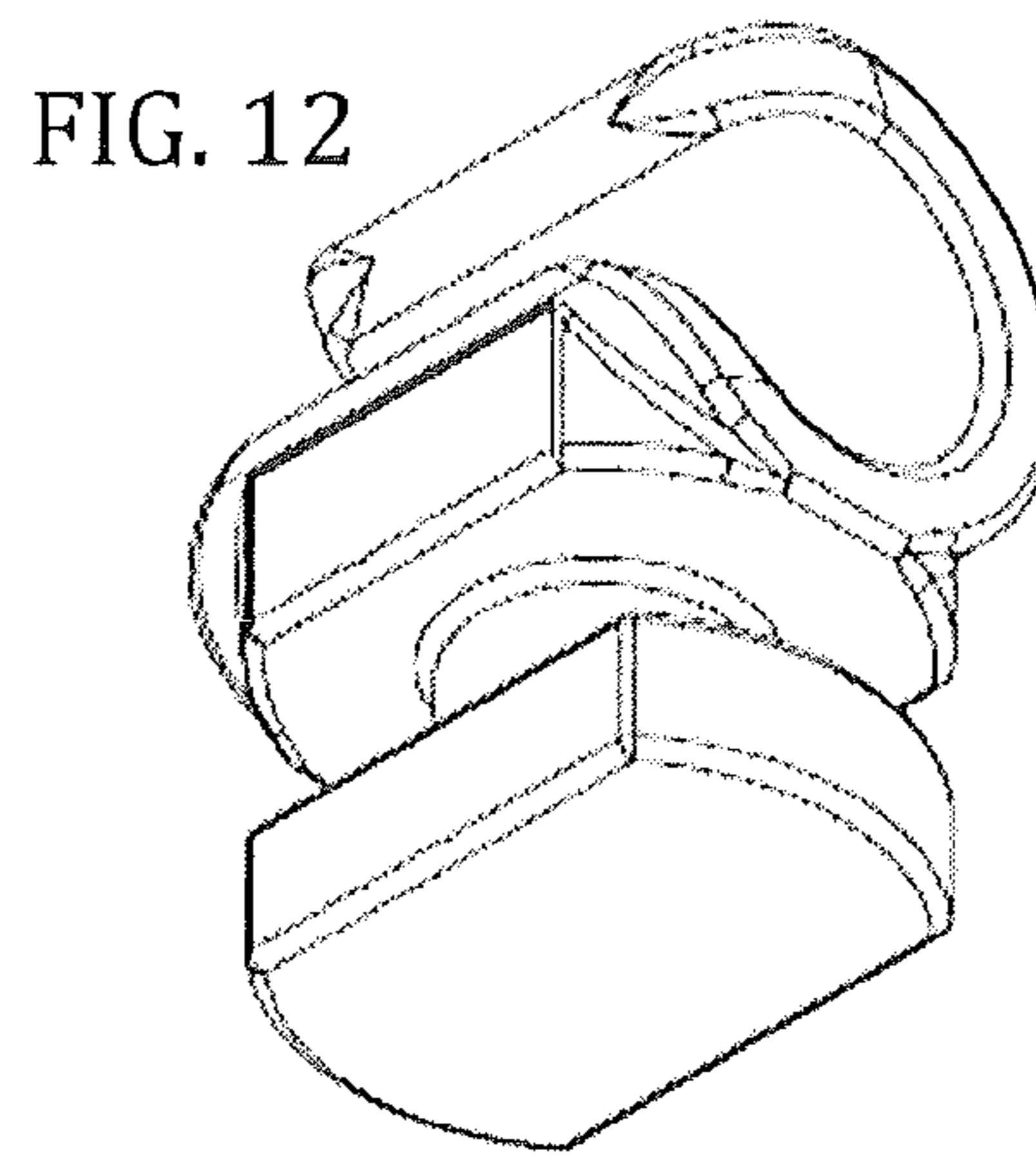
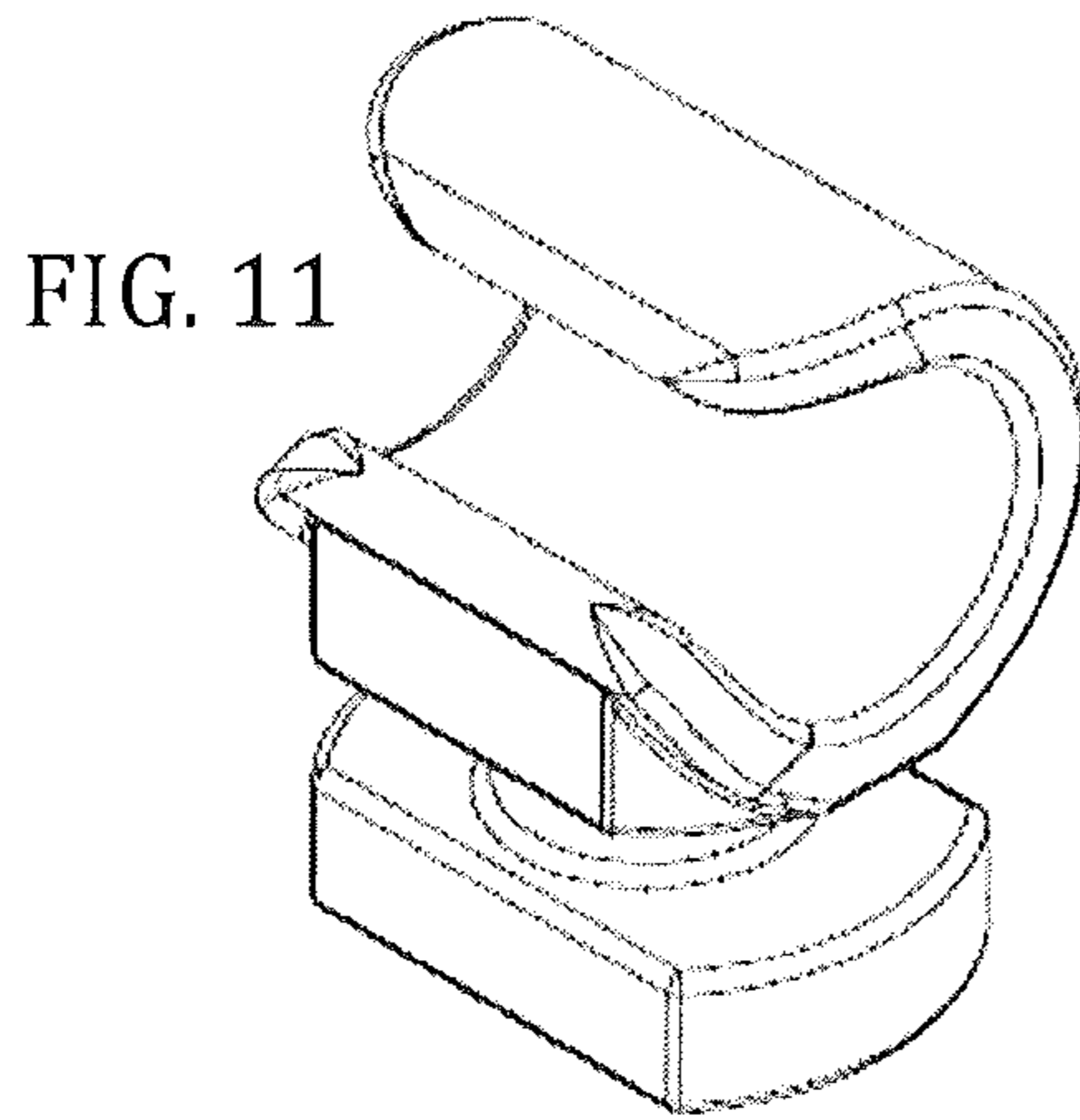


FIG. 13

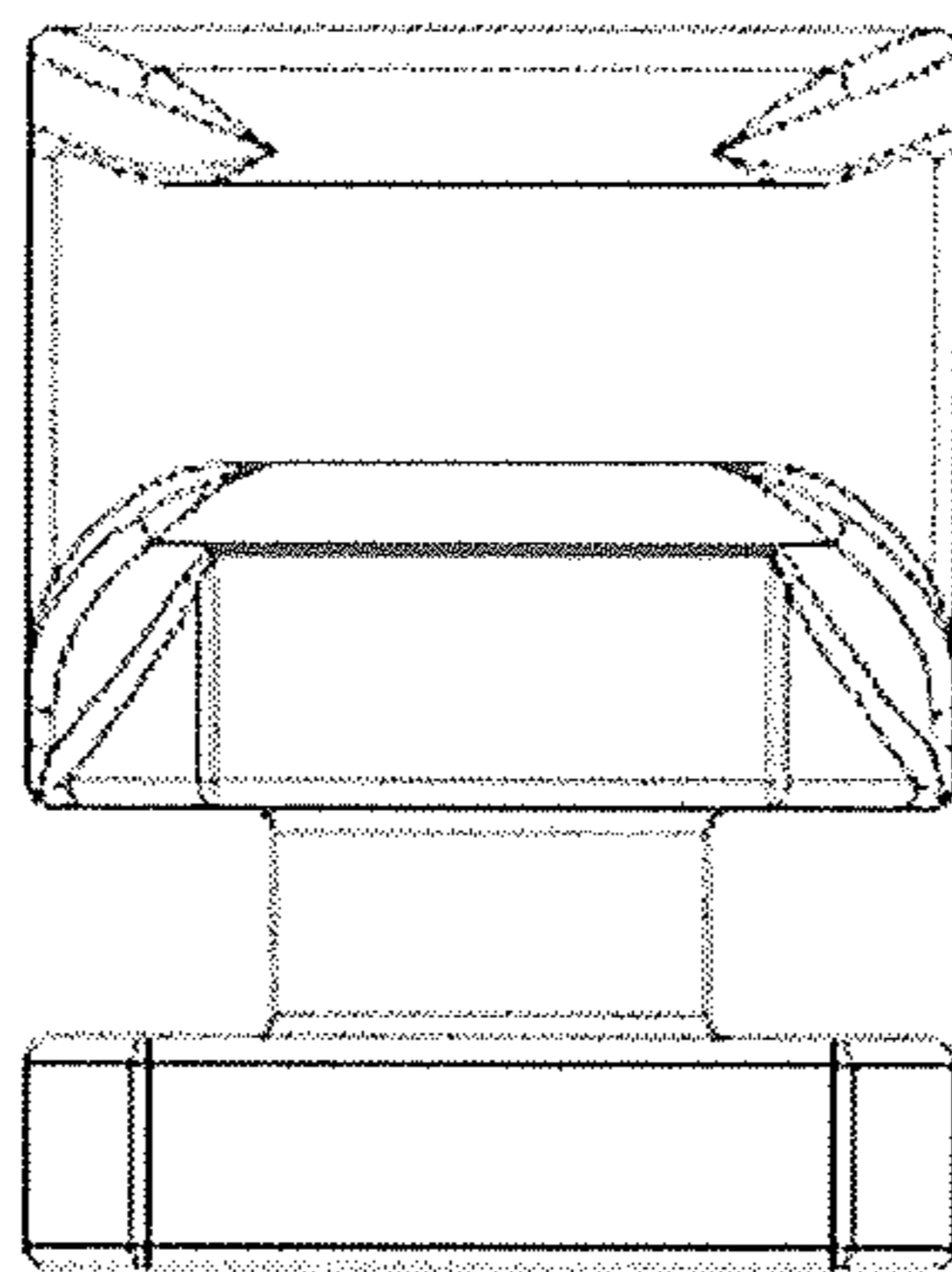


FIG. 14

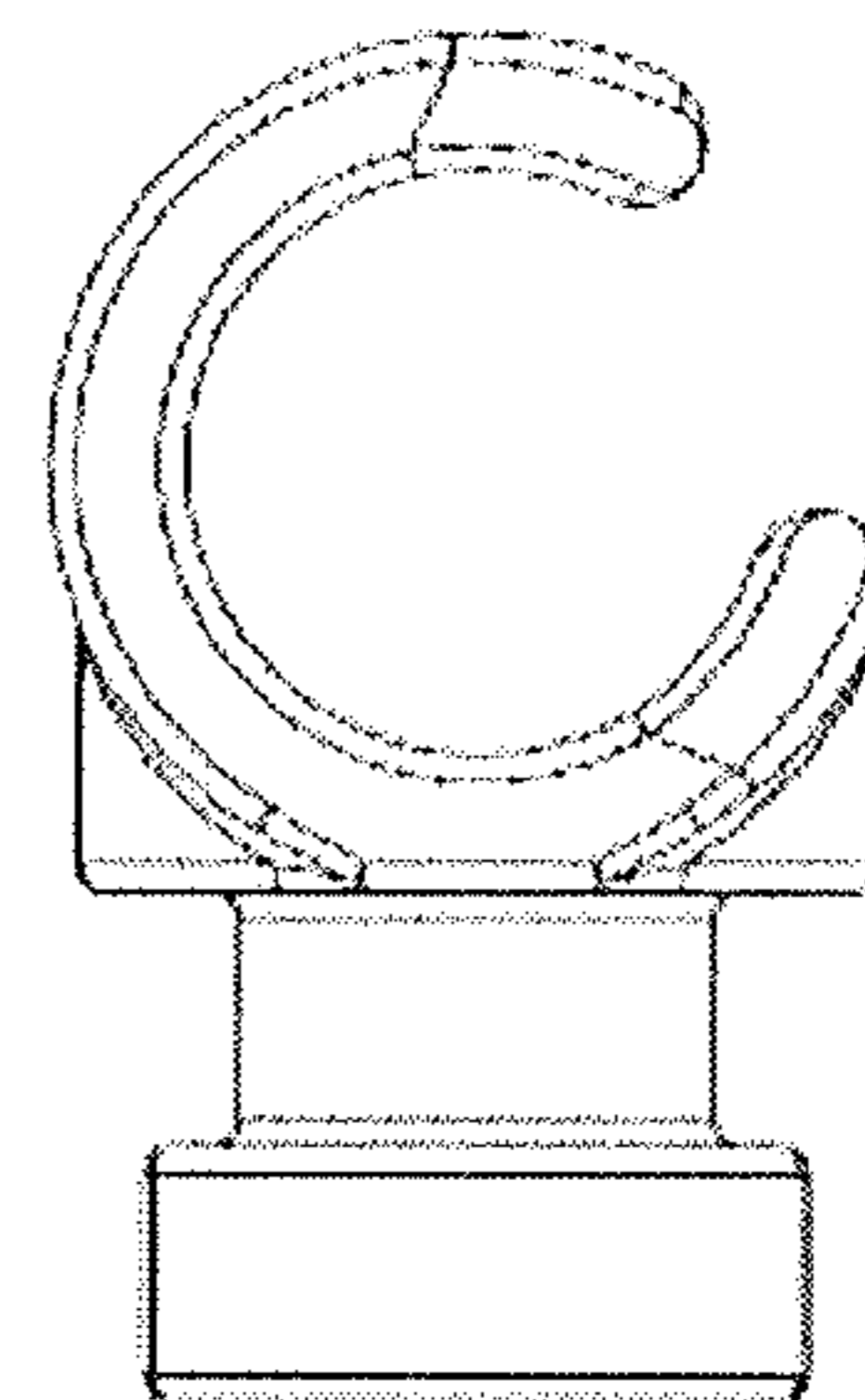


FIG. 15

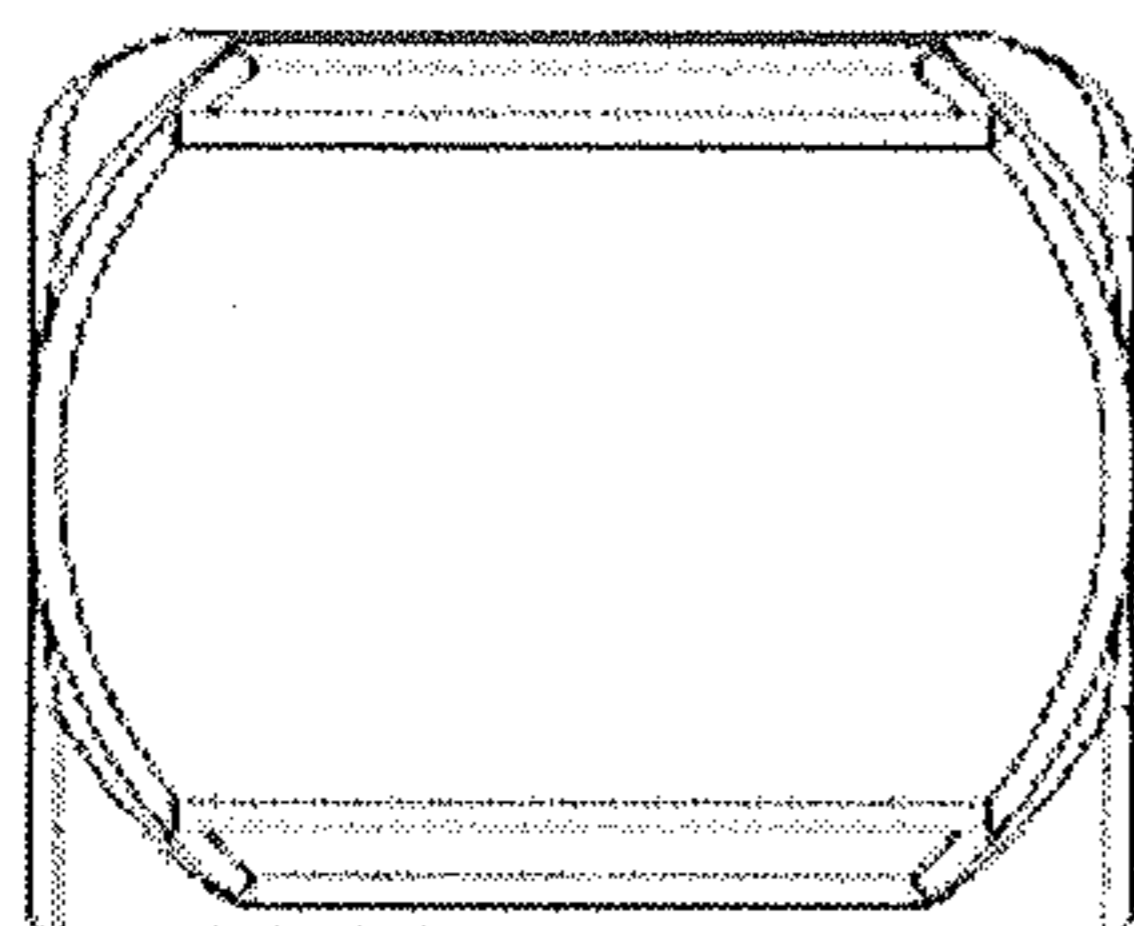


FIG. 16

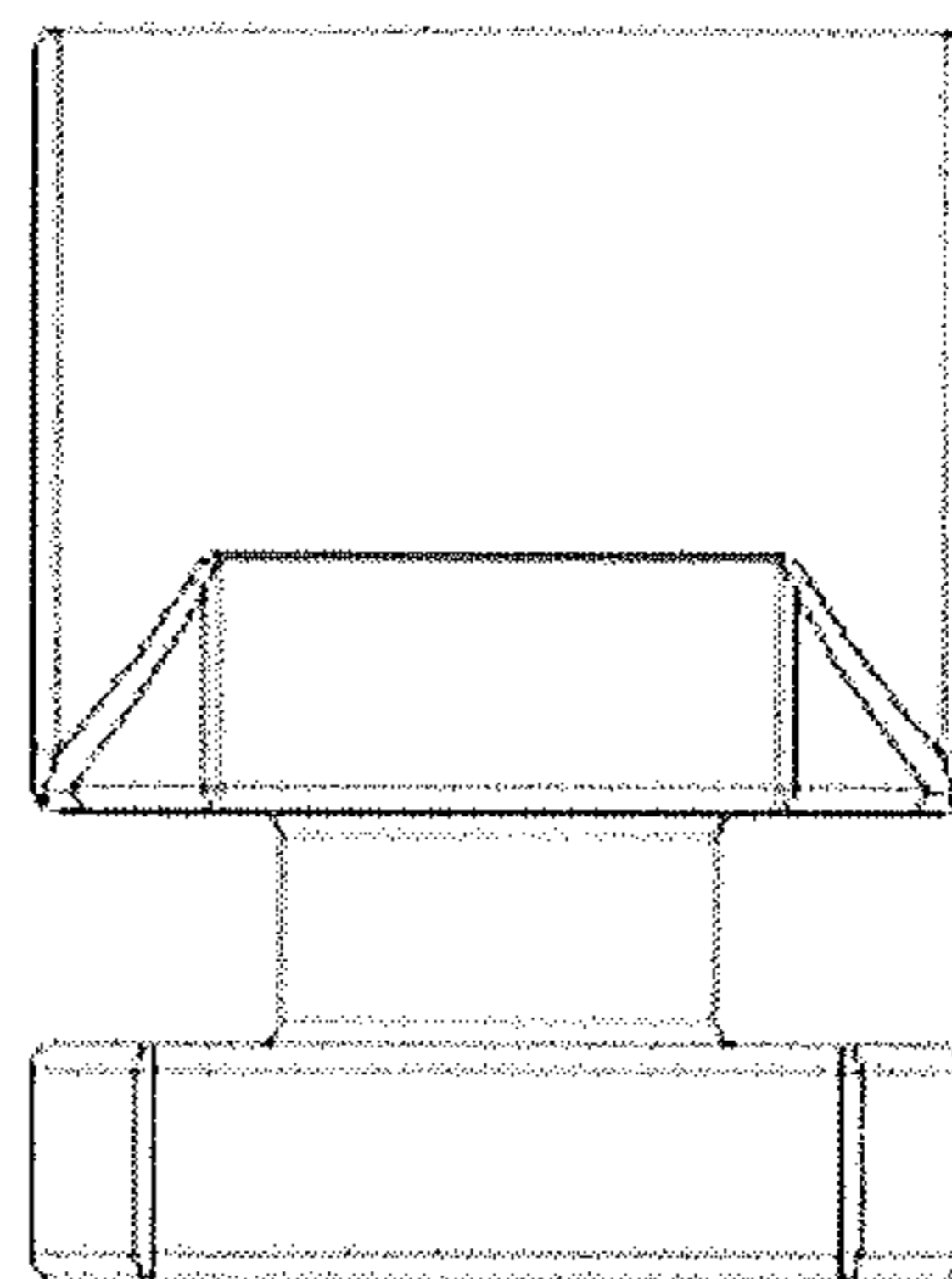


FIG. 17

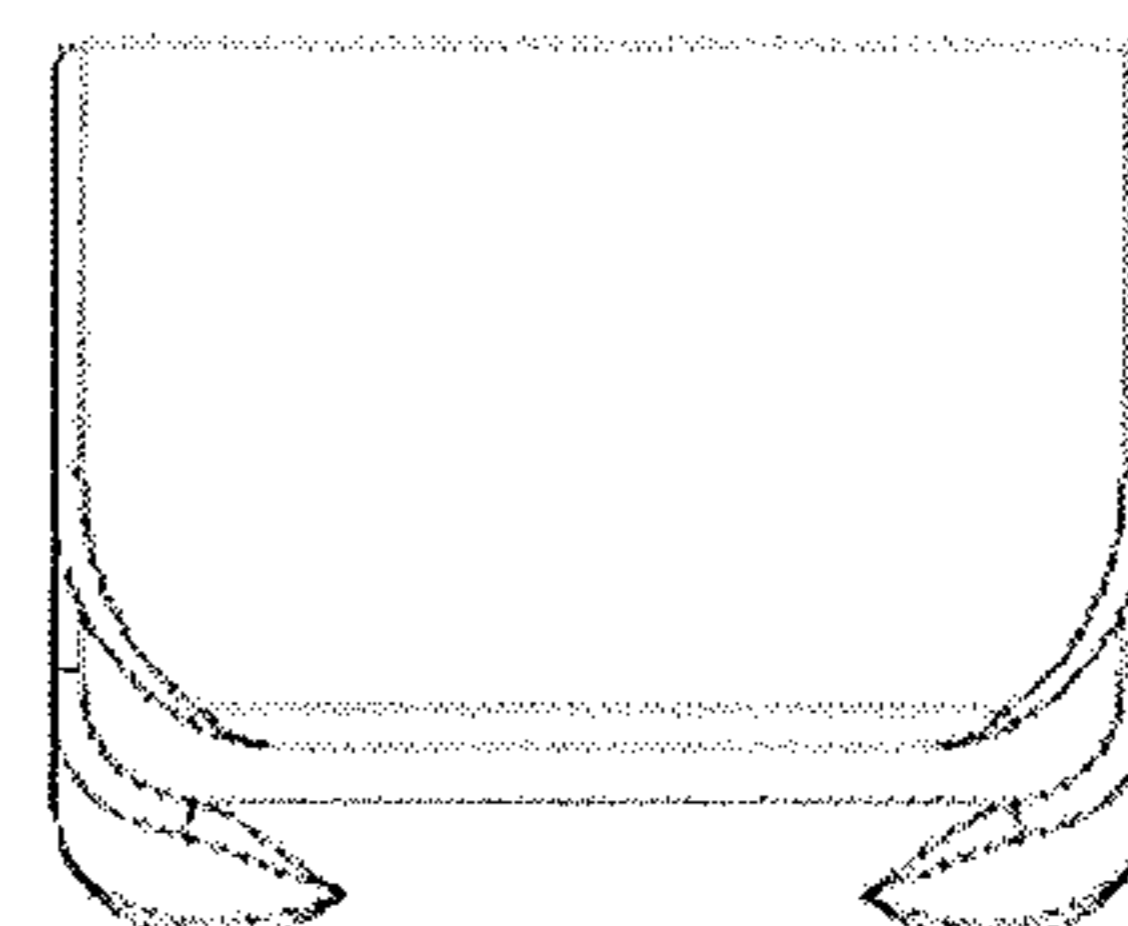


FIG. 18

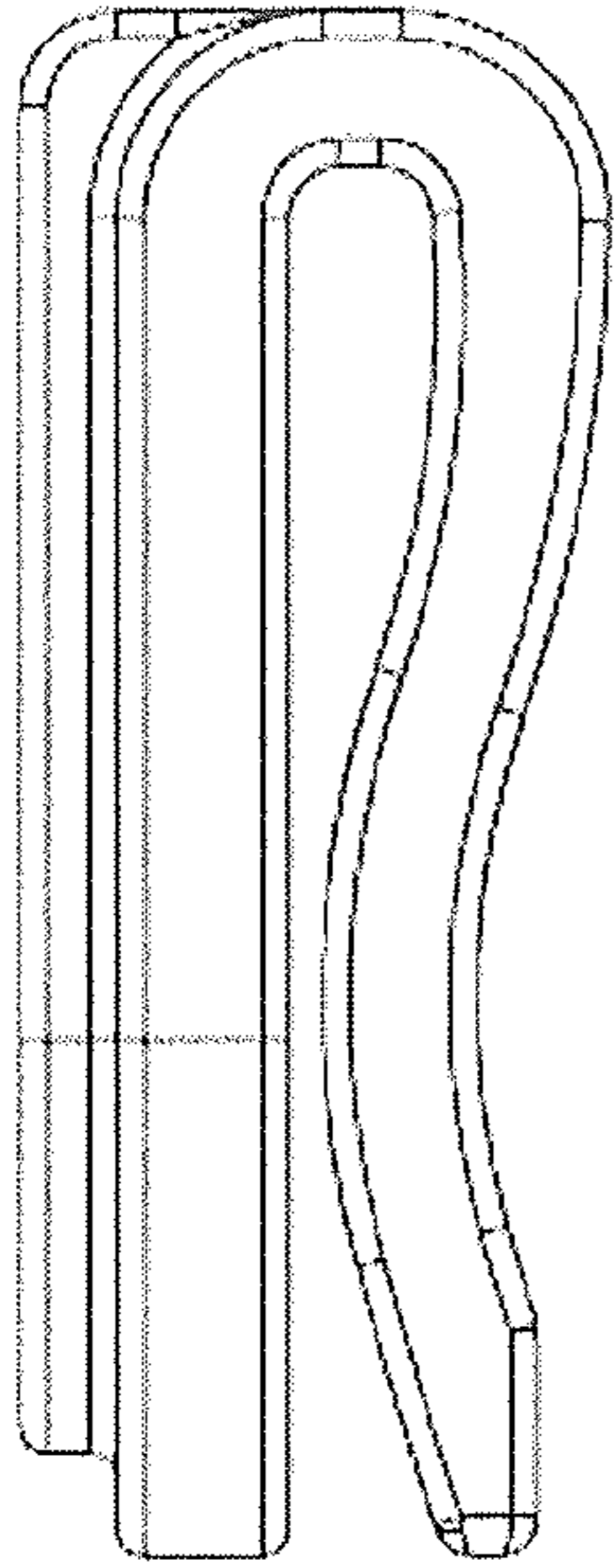


FIG. 19

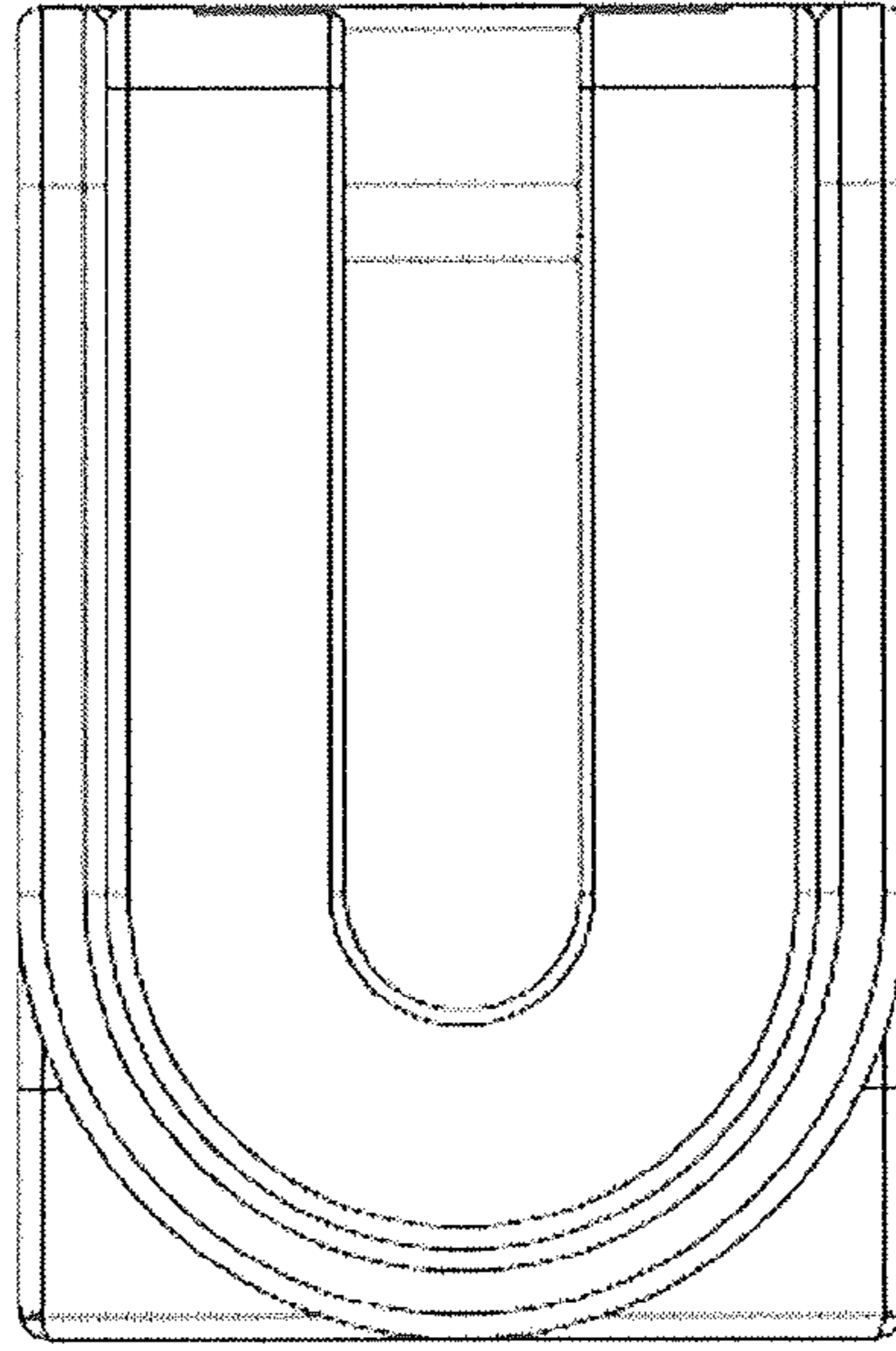


FIG. 20

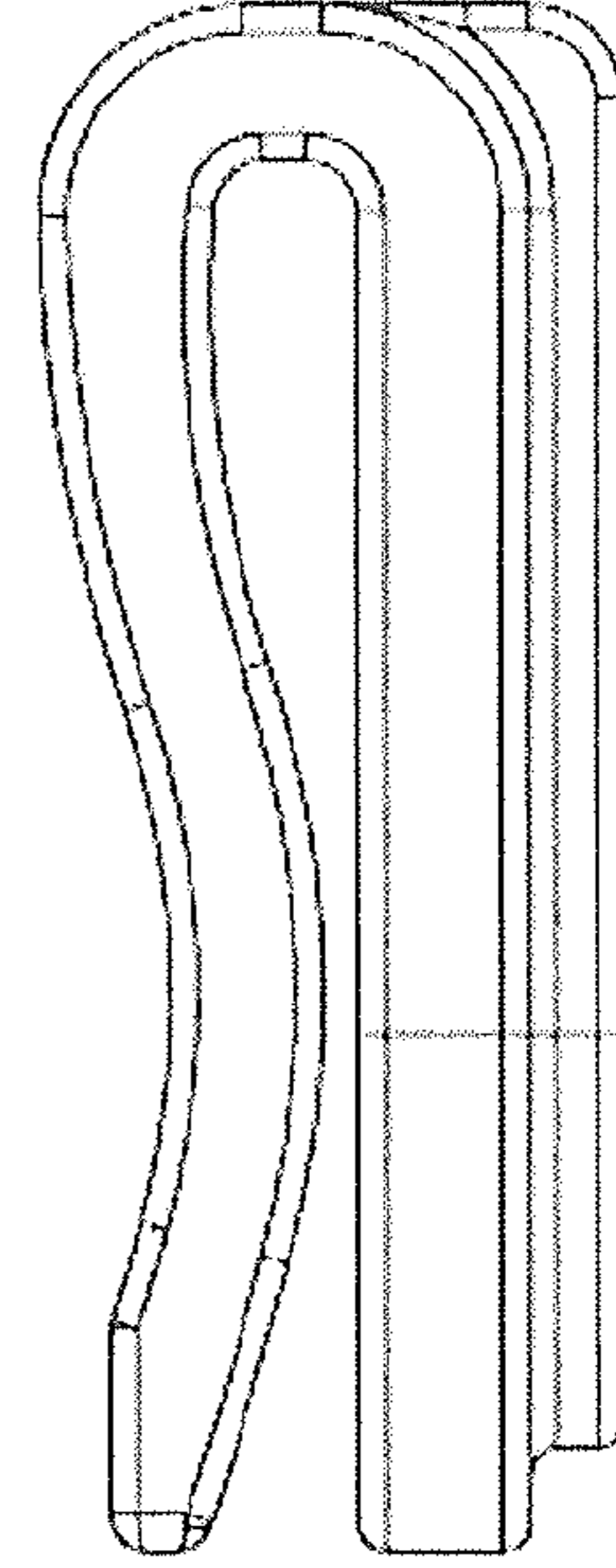


FIG. 21

FIG. 22

