



US00D745775S

(12) **United States Design Patent**
Provost et al.

(10) **Patent No.:** **US D745,775 S**
(45) **Date of Patent:** **** Dec. 22, 2015**

(54) **SHAVING RAZOR STORAGE CASE**

(71) Applicant: **SHAVELOGIC, INC.**, Dallas, TX (US)

(72) Inventors: **Craig A. Provost**, Providence, RI (US);
William E. Tucker, Attleboro, MA
(US); **John W. Griffin**, Moultonborough,
NH (US)

(73) Assignee: **SHAVELOGIC, INC.**, Dallas, TX (US)

(**) Term: **14 Years**

(21) Appl. No.: **29/502,178**

(22) Filed: **Sep. 12, 2014**

(51) **LOC (10) Cl.** **03-02**

(52) **U.S. Cl.**
USPC **D3/205**

(58) **Field of Classification Search**
USPC D3/205; D9/748, 749
CPC A45D 27/22
See application file for complete search history.

(56) **References Cited**

U.S. PATENT DOCUMENTS

2,984,380 A * 5/1961 Leopold A45D 27/22
206/228
D191,231 S * 8/1961 Klepa D9/748
3,206,012 A * 9/1965 Braginetz A45D 27/22
206/228
D216,635 S * 2/1970 Grange D9/748
D313,175 S * 12/1990 Motta D9/721

D511,105 S * 11/2005 Dominesey D9/748
D522,380 S * 6/2006 Dibnah D9/715
D542,675 S * 5/2007 Luxton D9/749
D584,964 S * 1/2009 Schulz D3/205
D586,665 S * 2/2009 Murgida D3/205
D596,953 S * 7/2009 Wonderley D3/205
8,342,322 B2 * 1/2013 De'Rennaux A45D 27/22
206/204

* cited by examiner

Primary Examiner — Susan Bennett Hattan

Assistant Examiner — Charles Hanson

(74) *Attorney, Agent, or Firm* — Laber Patent Law P.C.

(57) **CLAIM**

The ornamental design for shaving razor storage case, as shown and described.

DESCRIPTION

FIG. 1 is a top-left, perspective view of the shaving razor storage case;
FIG. 2 is a left-side elevational view thereof;
FIG. 3 is a top plan view thereof;
FIG. 4 is bottom plan thereof;
FIG. 5 is a right-side elevational view thereof;
FIG. 6 is a front elevational view thereof;
FIG. 7 is a rear elevational view thereof; and,
FIG. 8 is a top-left, perspective view of the shaving razor storage case, with a shaving razor and shaving cartridge magazine shown in phantom for purposes of defining the environment.

1 Claim, 5 Drawing Sheets

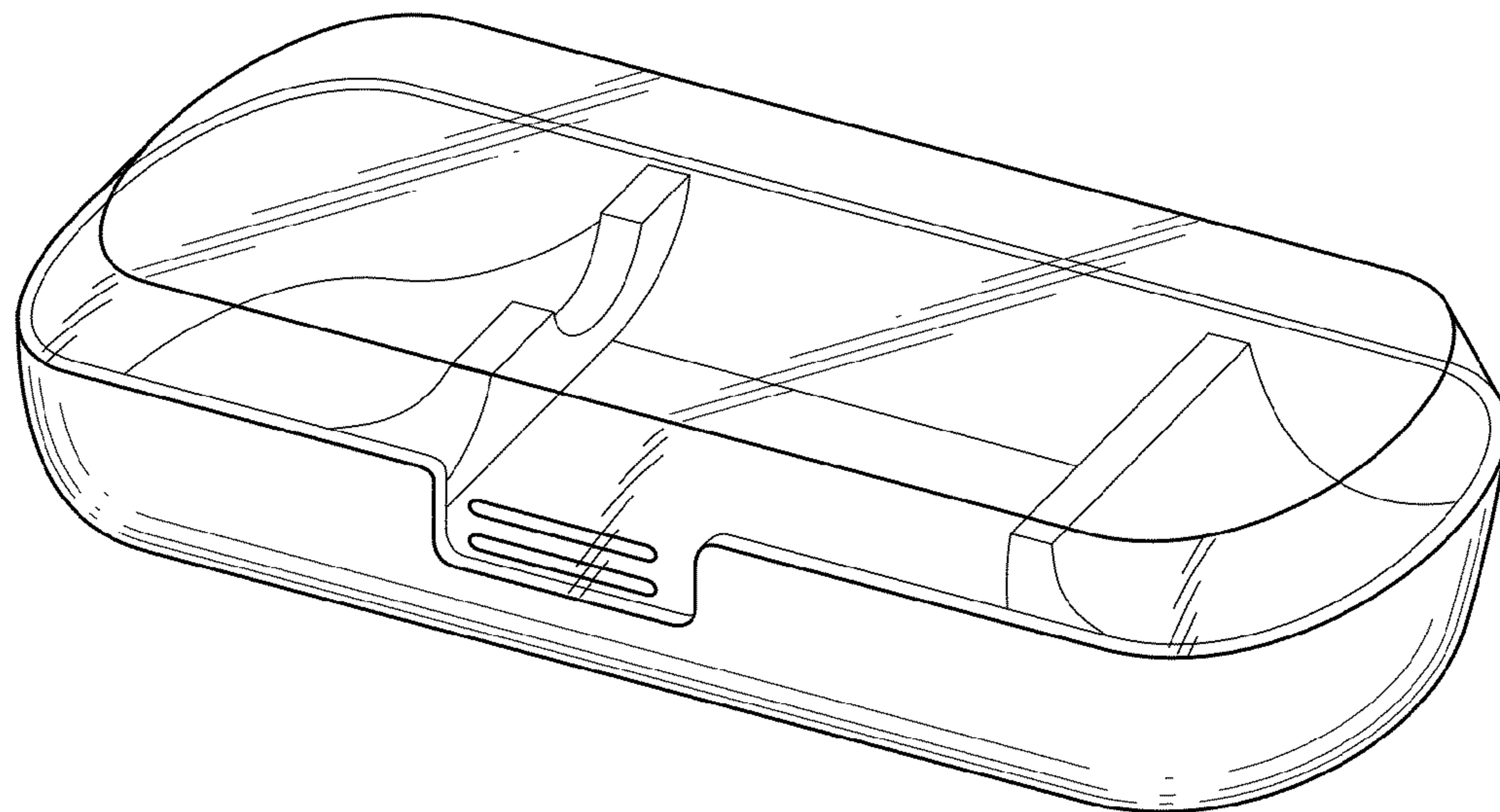


FIG. 1

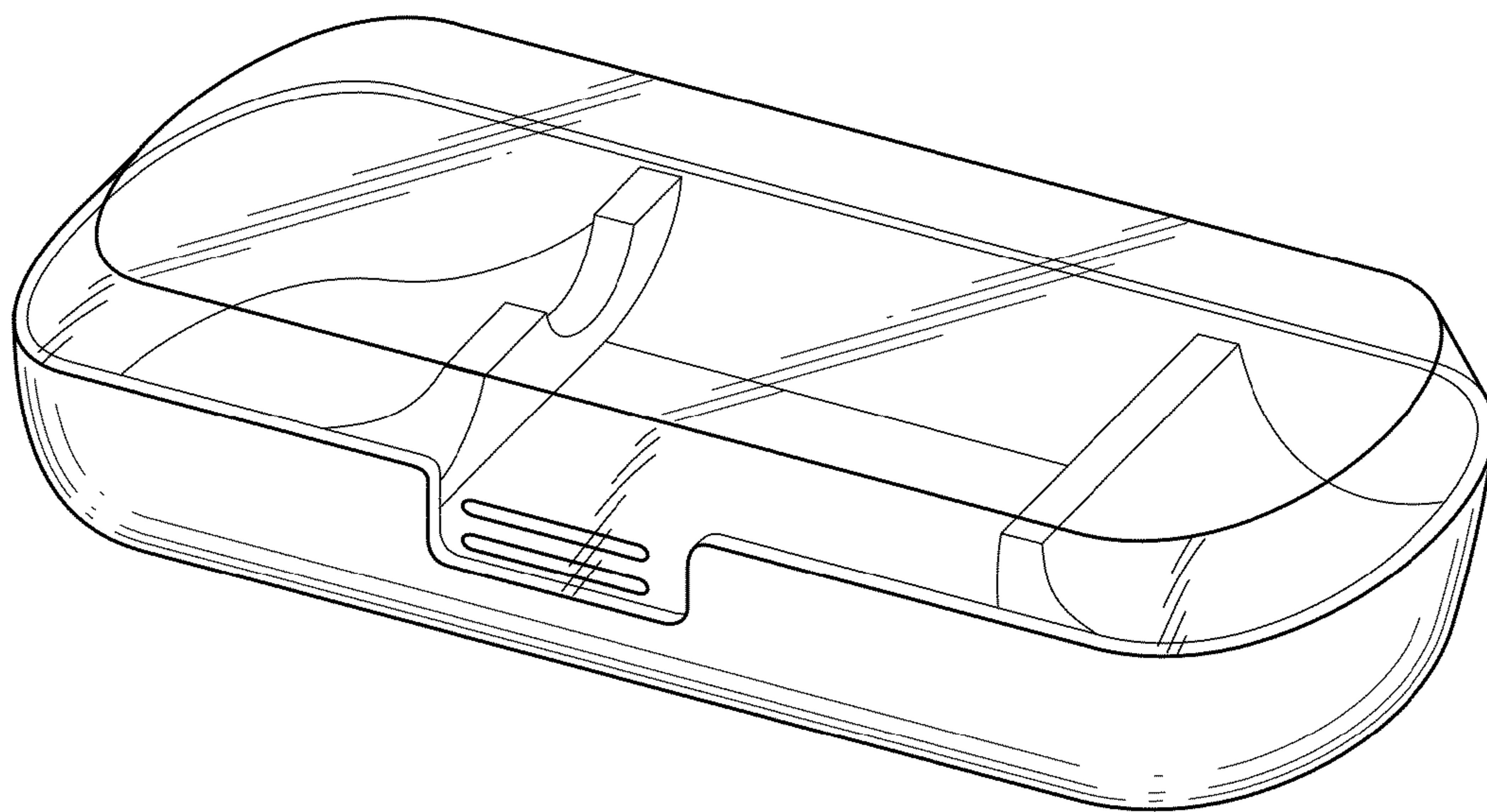


FIG. 2

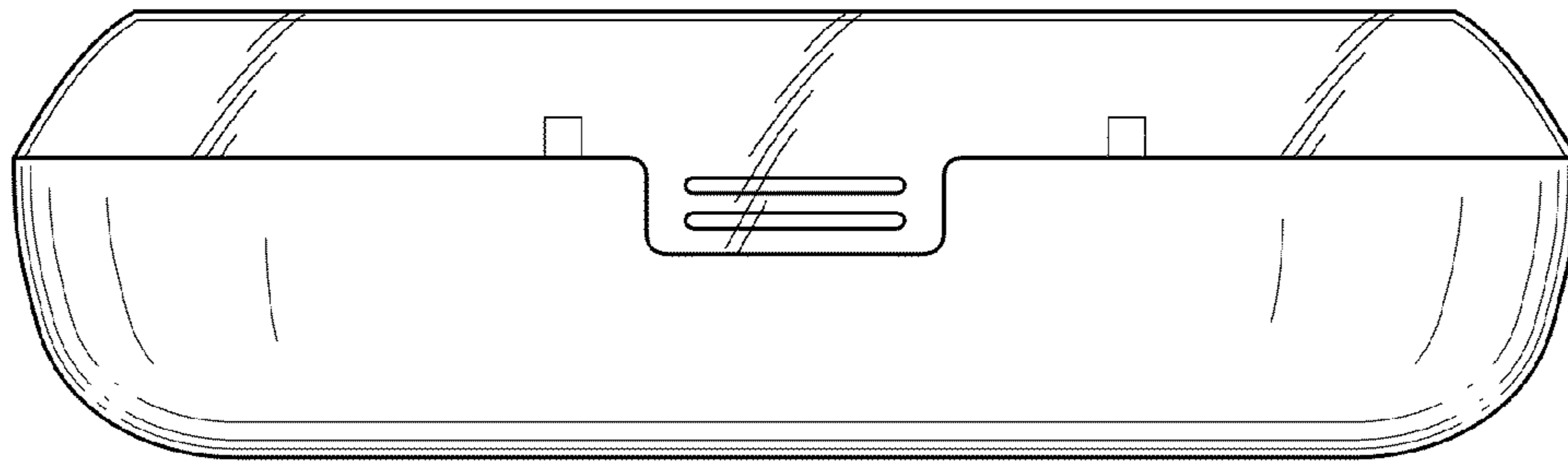


FIG. 3

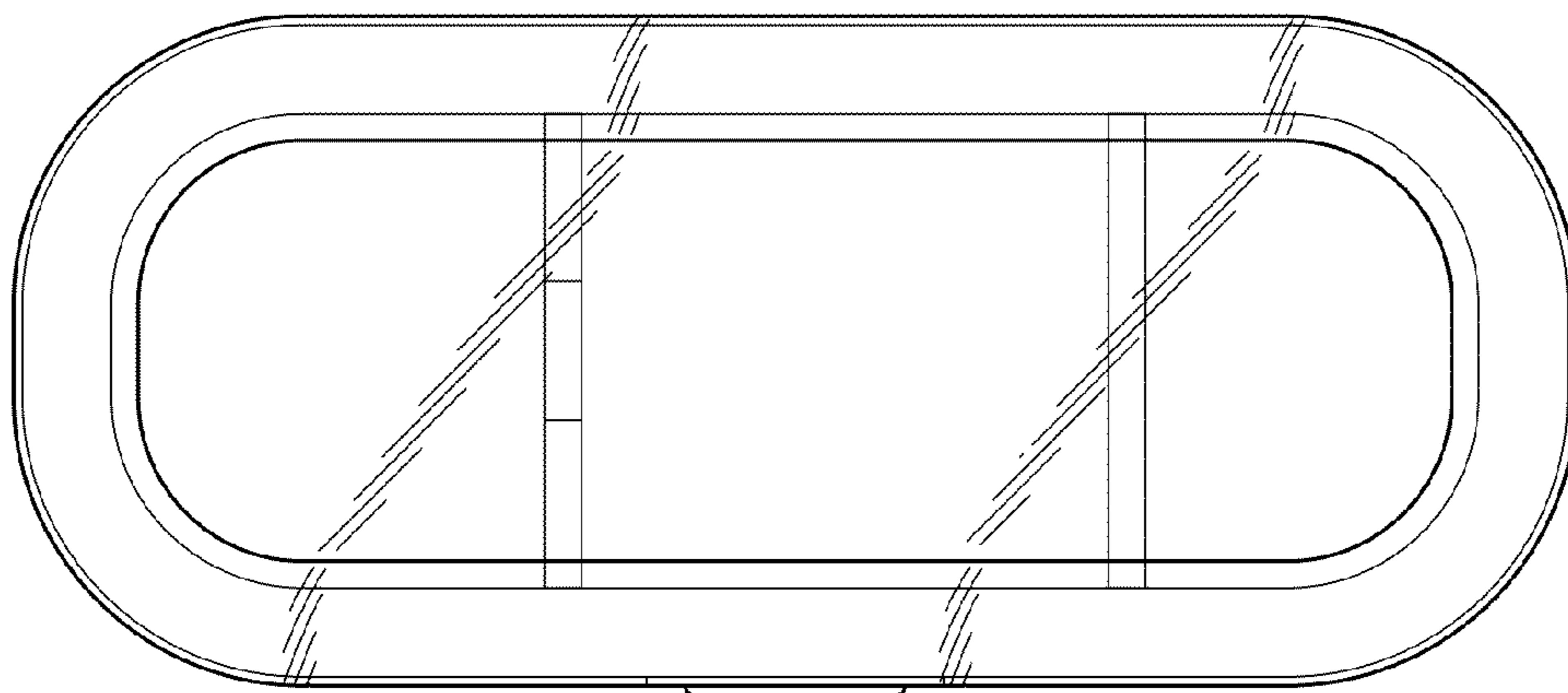


FIG. 4

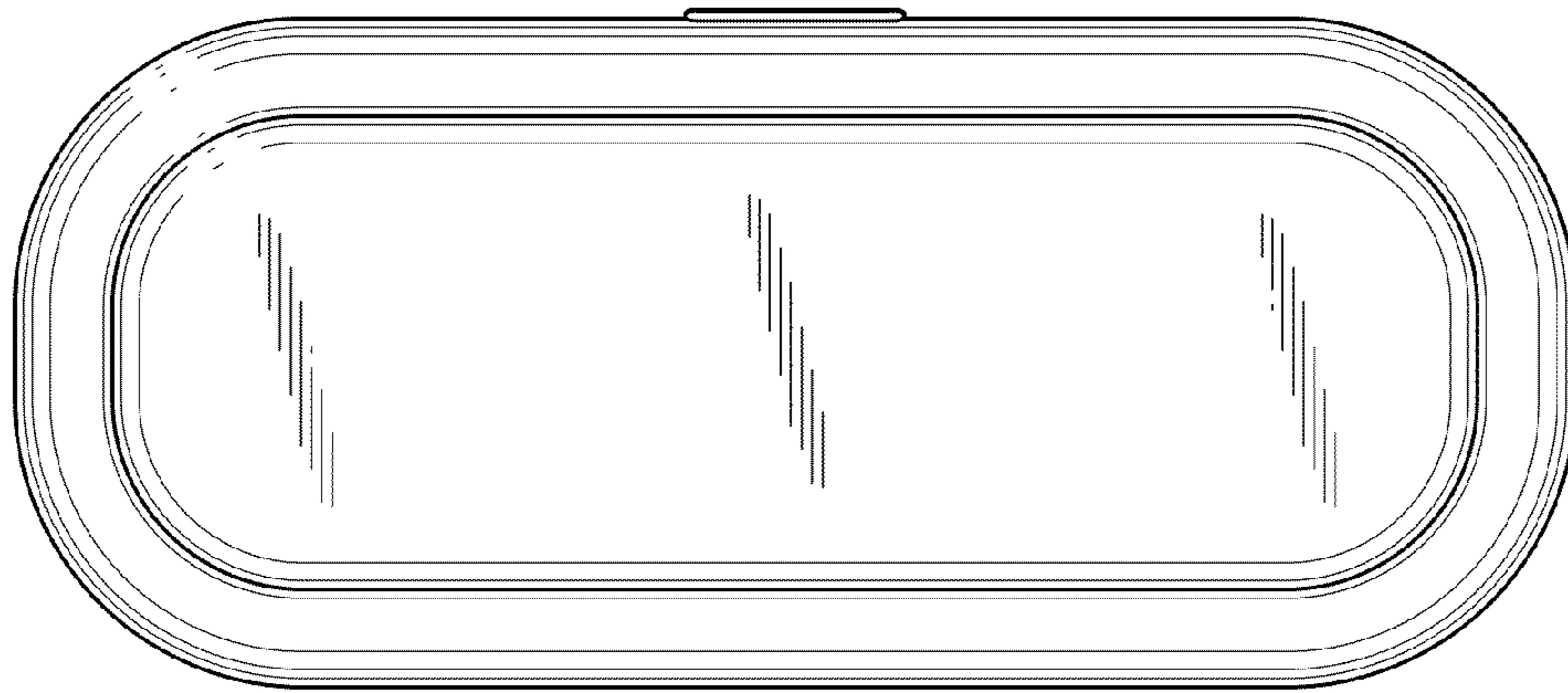


FIG. 5

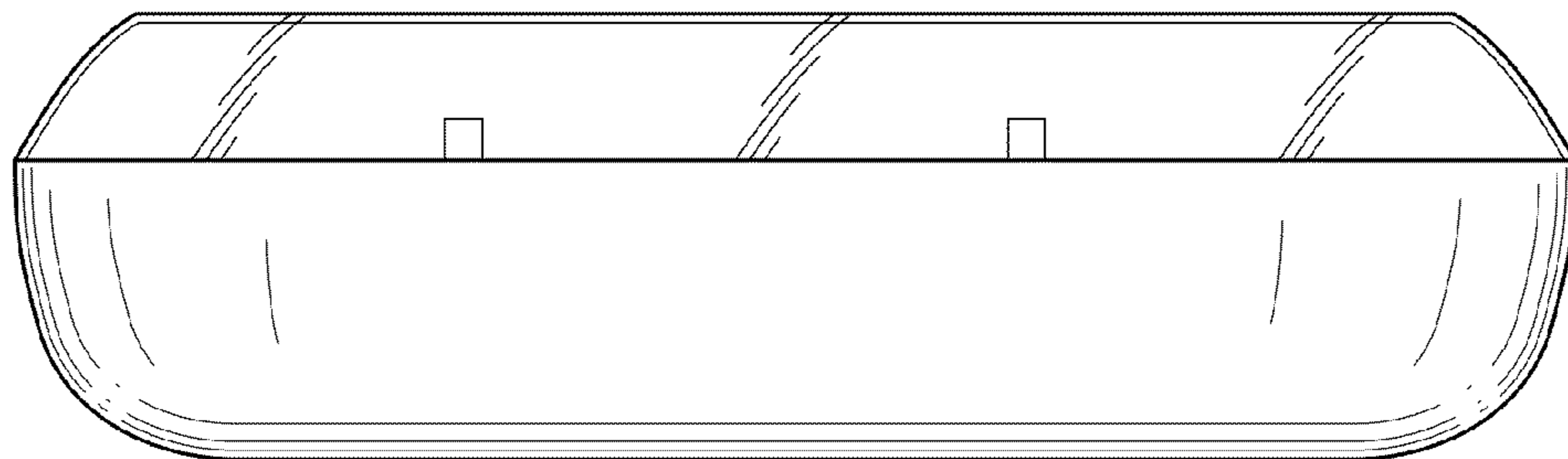


FIG. 6

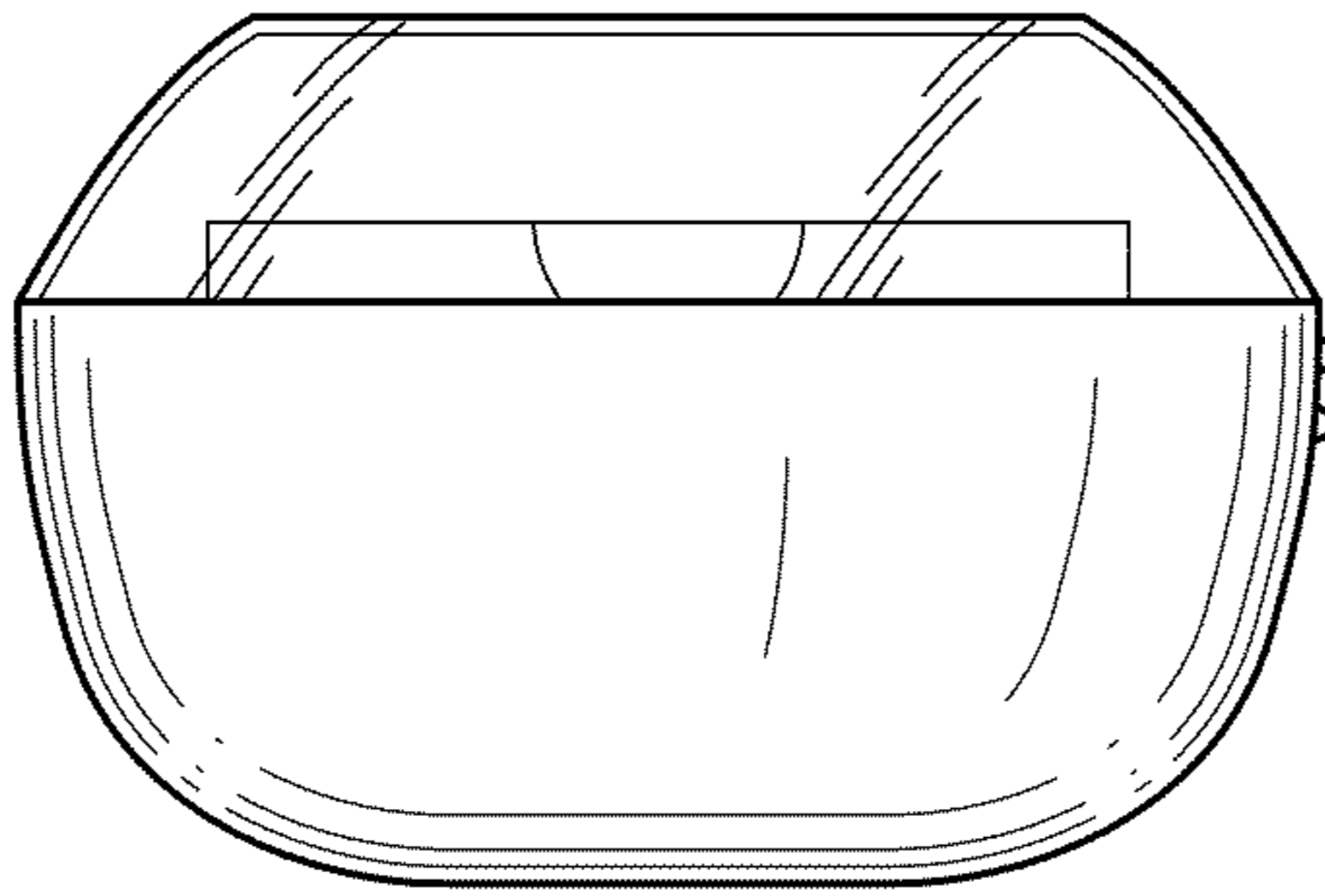


FIG. 7

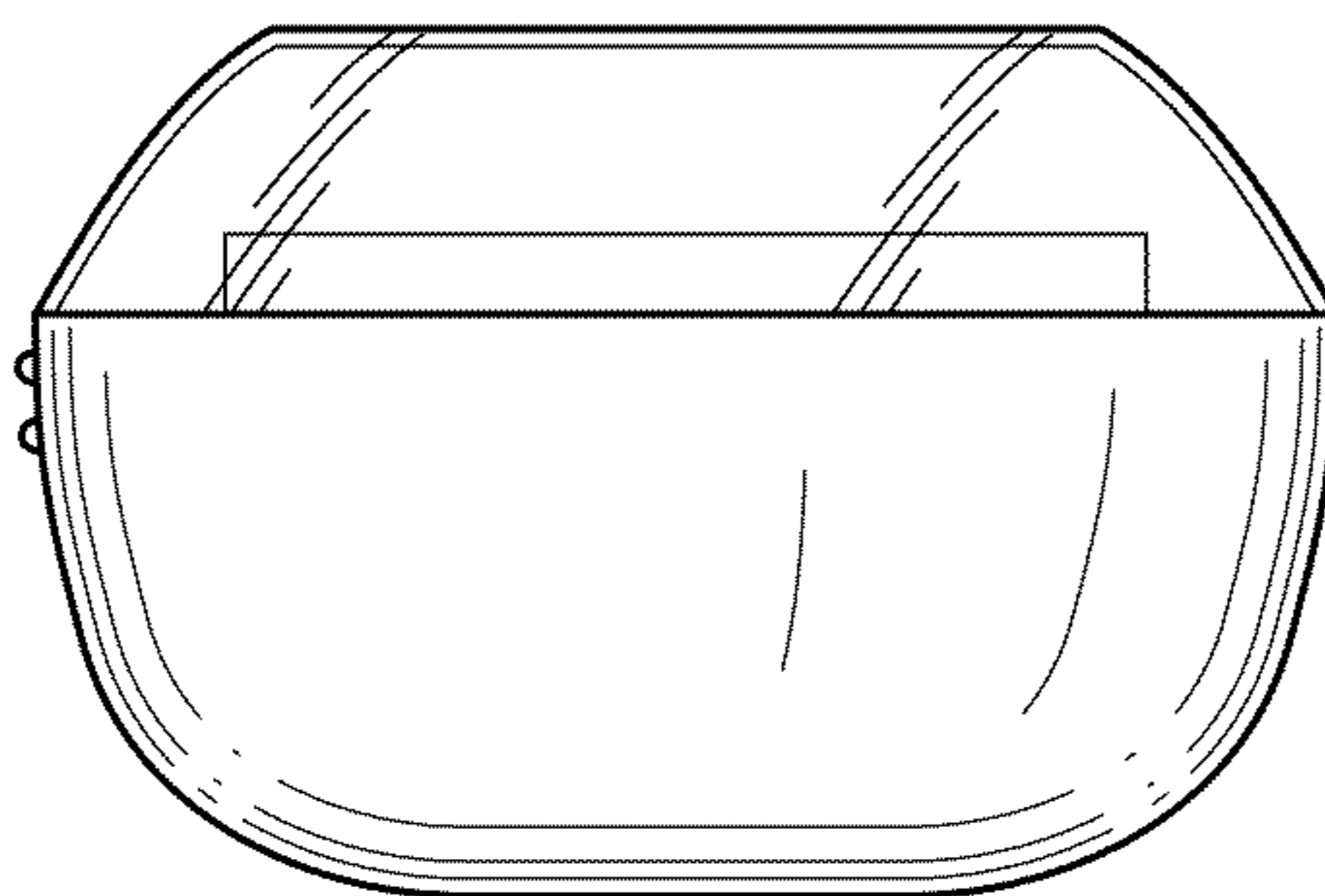


FIG. 8

