



US00D745766S

(12) **United States Design Patent**
Oppelt et al.

(10) **Patent No.:** **US D745,766 S**
(45) **Date of Patent:** **** Dec. 22, 2015**

(54) **HIP BAND**

(71) Applicants: **Michelle Elizabeth Oppelt**, Lakeland, TN (US); **Samantha Corveleyn**, Flemington, NJ (US)

(72) Inventors: **Michelle Elizabeth Oppelt**, Lakeland, TN (US); **Samantha Corveleyn**, Flemington, NJ (US)

(**) Term: **14 Years**

(21) Appl. No.: **29/511,266**

(22) Filed: **Dec. 9, 2014**

(51) **LOC (10) Cl.** **02-07**

(52) **U.S. Cl.**
USPC **D2/627; D3/215**

(58) **Field of Classification Search**
USPC D2/627, 628, 629, 631, 632, 634, 635, D2/636, 638; D3/215, 635; D11/3, 216; D21/692; D29/101.3, 101.5, 120.1; D30/152, 153
CPC A41F 9/00; A41F 9/002; A41F 9/005; A41F 9/007; A41F 9/02; A63B 29/02; A63B 29/028
See application file for complete search history.

(56) **References Cited**

U.S. PATENT DOCUMENTS

860,592	A *	7/1907	Batchelder	D03D 11/02 139/390
D259,151	S *	5/1981	Kishbaugh	224/662
4,440,525	A *	4/1984	Perla	B63C 11/30 224/664
4,634,031	A *	1/1987	Frankhouse	A45C 1/04 224/602
D292,542	S *	11/1987	Slimmon	D3/230
4,819,846	A *	4/1989	Hannemann	A45F 5/00 2/312
D365,928	S *	1/1996	Sauer	D3/224
D501,990	S *	2/2005	Carr	D3/215
D507,103	S *	7/2005	Charles, Jr.	D3/215
D518,953	S *	4/2006	Kenimer	D3/224
D538,036	S *	3/2007	Buck	D3/224

D642,792	S *	8/2011	Tremblay	D3/218
D654,264	S *	2/2012	Kryklywicz	D3/215
D665,470	S *	8/2012	Galbraith	D21/683
D691,795	S *	10/2013	Do	D3/226
D703,878	S *	4/2014	Hieber	D30/152
D713,137	S *	9/2014	Wahib	D3/215
D718,522	S *	12/2014	Larsen	D3/215
D722,764	S *	2/2015	Sloan	D3/218
D731,345	S *	6/2015	Stewart	D11/3
D731,786	S *	6/2015	Chen	D3/226
2003/0131398	A1 *	7/2003	Haines	A45F 5/02 2/312
2006/0169731	A1 *	8/2006	Matulewic	A45C 15/00 224/674
2010/0313336	A1 *	12/2010	Carlson	A41D 13/0012 2/215
2012/0286012	A1 *	11/2012	Flis	A45F 5/021 224/665

OTHER PUBLICATIONS

“KISS Brand Designs’s Photos.” Facebook.com. Jul. 28, 2013. Web. Accessed Oct. 13, 2015.*

* cited by examiner

Primary Examiner — Eric Goodman

Assistant Examiner — Clare Ann Gannon

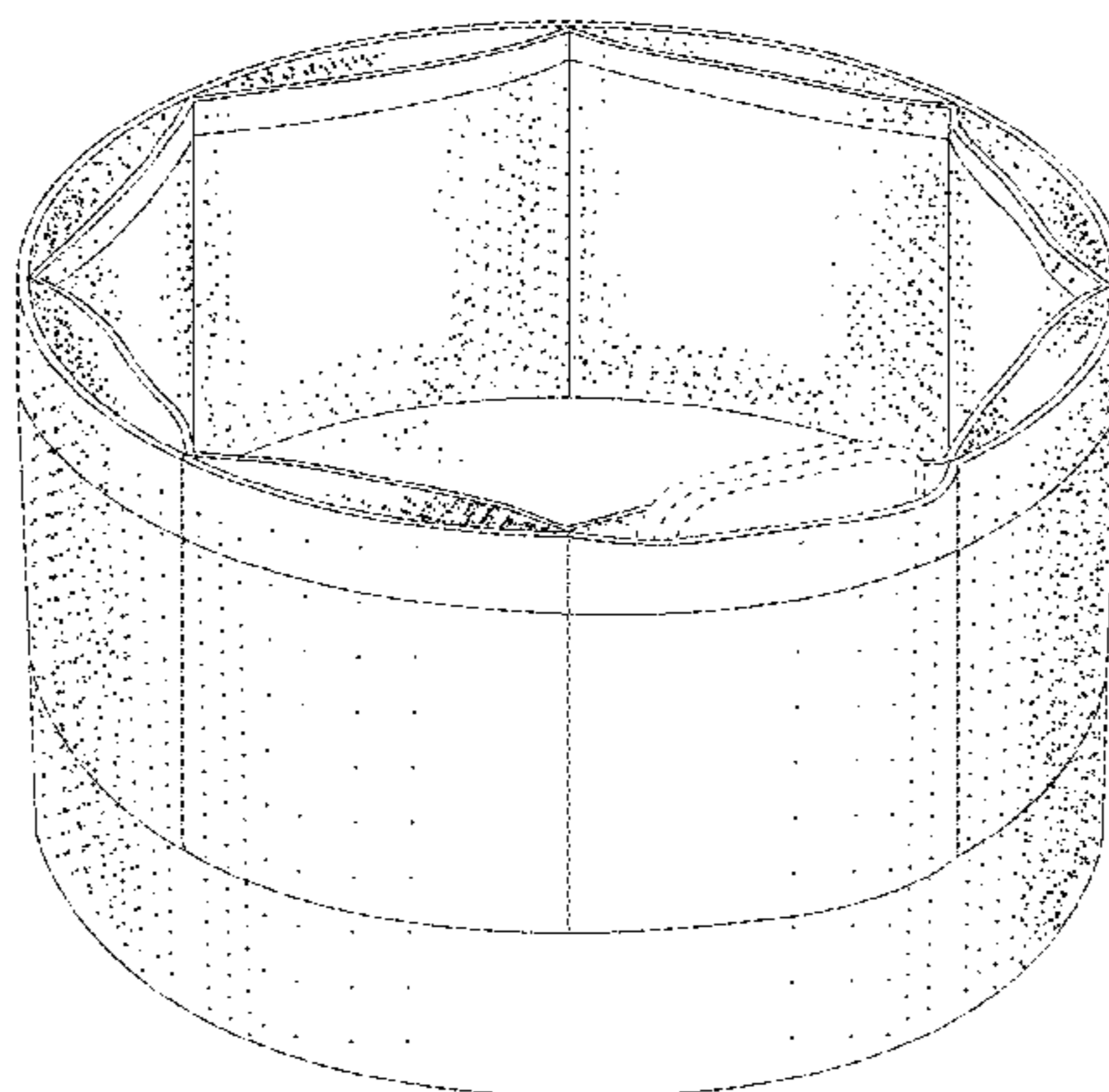
(57) **CLAIM**

The ornamental design for a hip band, as shown and described.

DESCRIPTION

FIG. 1 is a left side elevational view of a hip band showing our new design;
FIG. 2 is a front elevational view thereof;
FIG. 3 is a right side elevational view thereof
FIG. 4 is a rear elevational view thereof;
FIG. 5 is a top plan view thereof;
FIG. 6 is a bottom plan view thereof; and,
FIG. 7 is a perspective view thereof.
The broken lines showing a cell phone are included for the purpose of illustrating environmental structure and form no part of the claimed design.

1 Claim, 7 Drawing Sheets



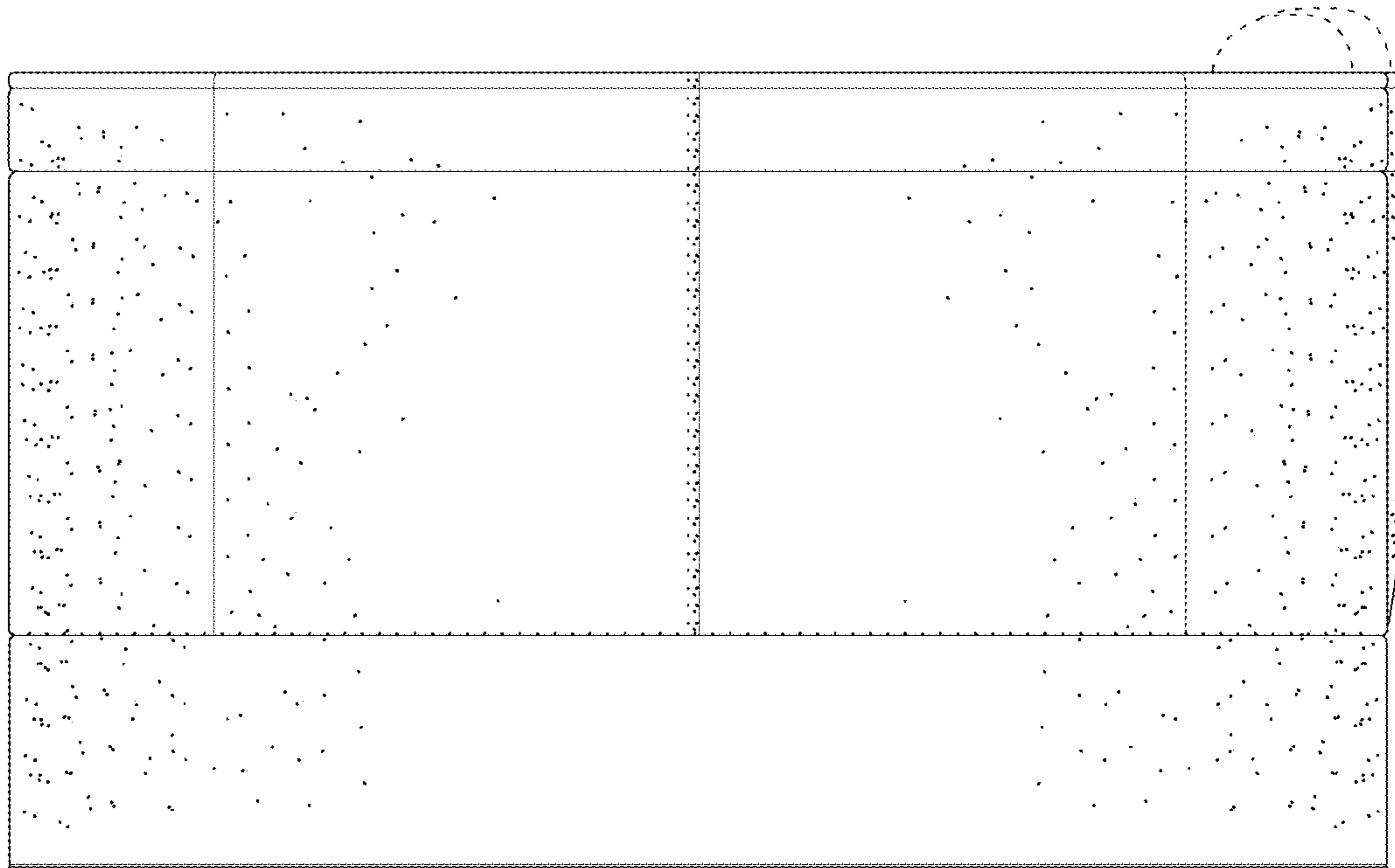


FIG. 1

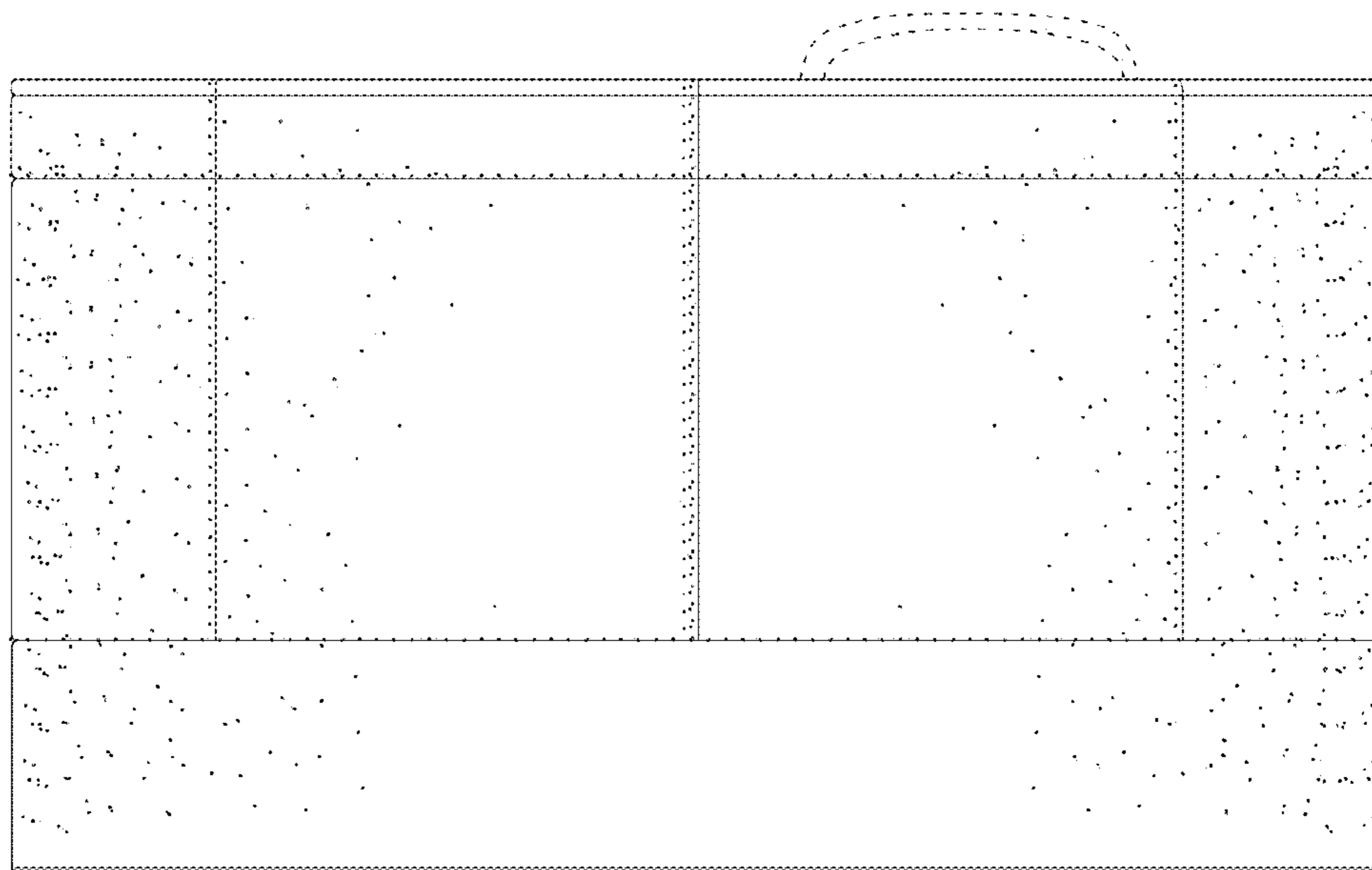


FIG. 2

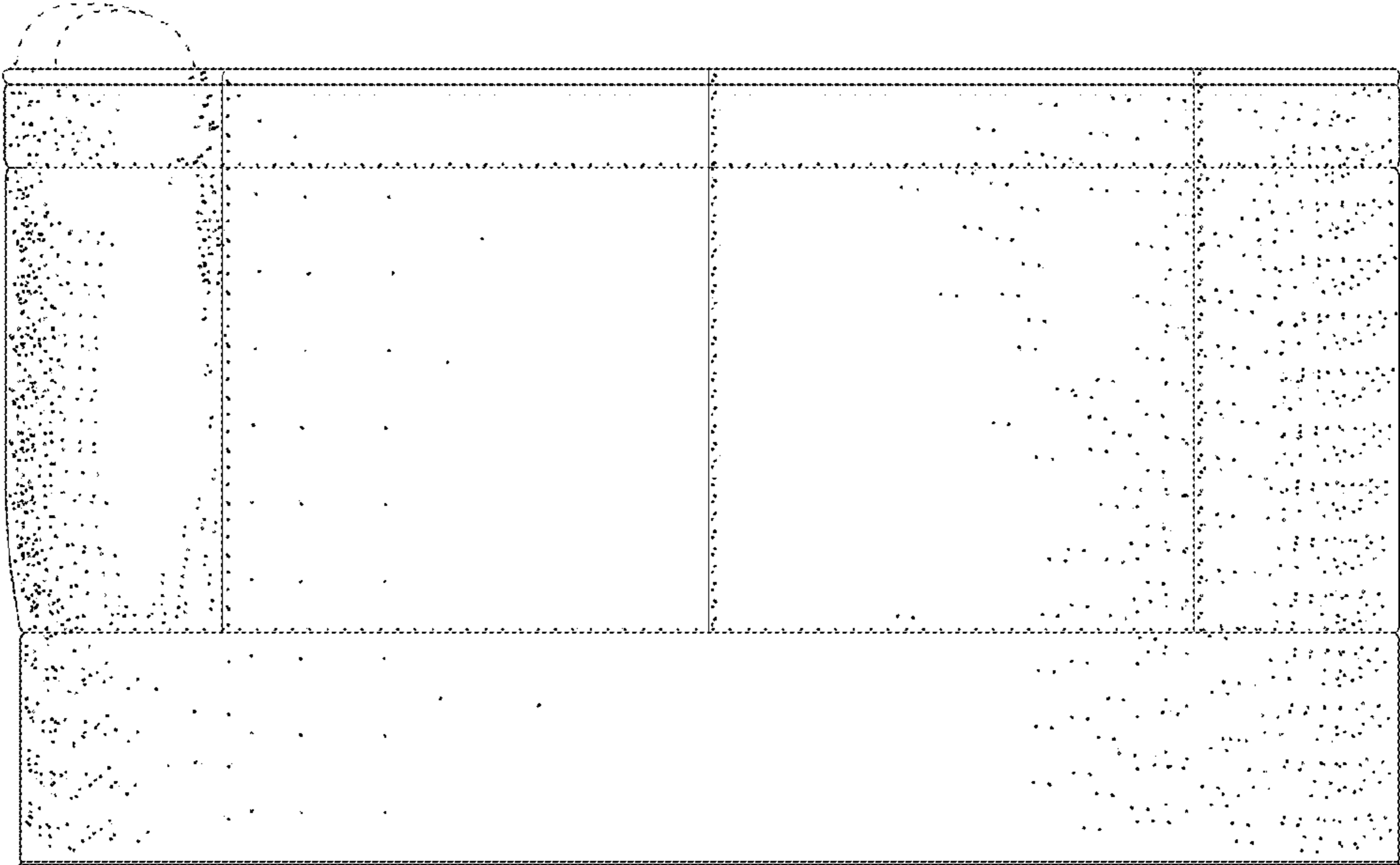


FIG. 3

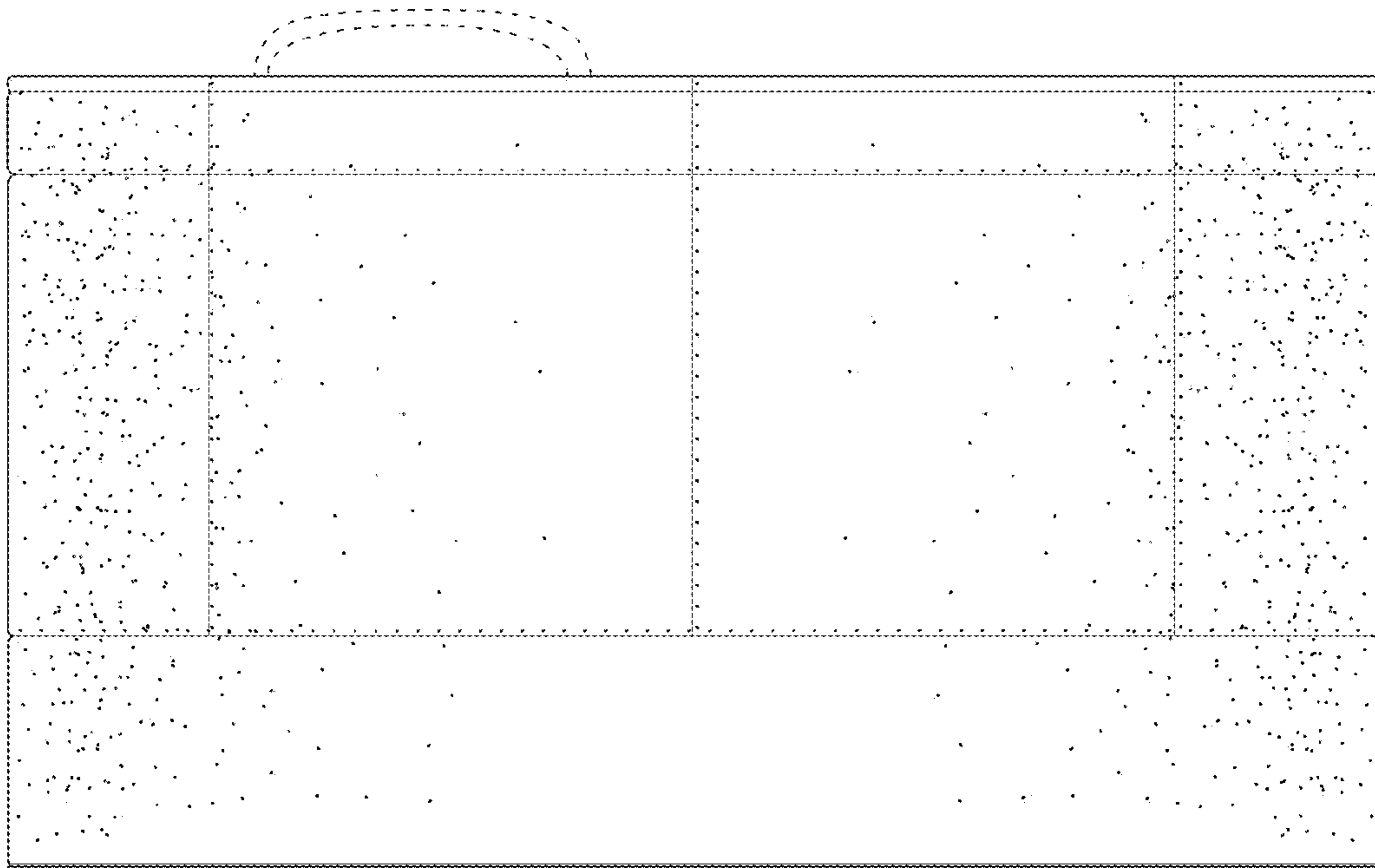


FIG. 4

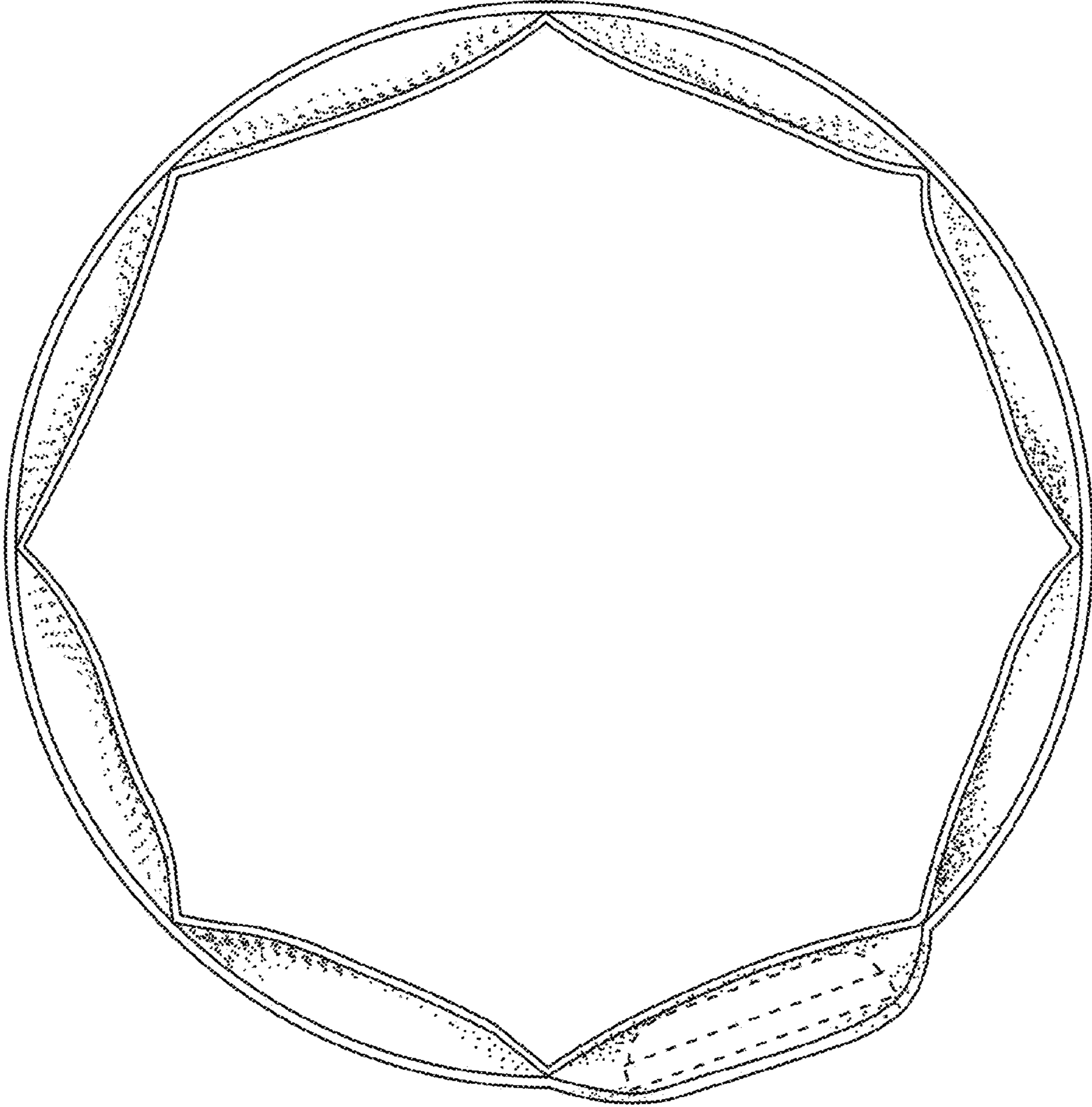


FIG. 5

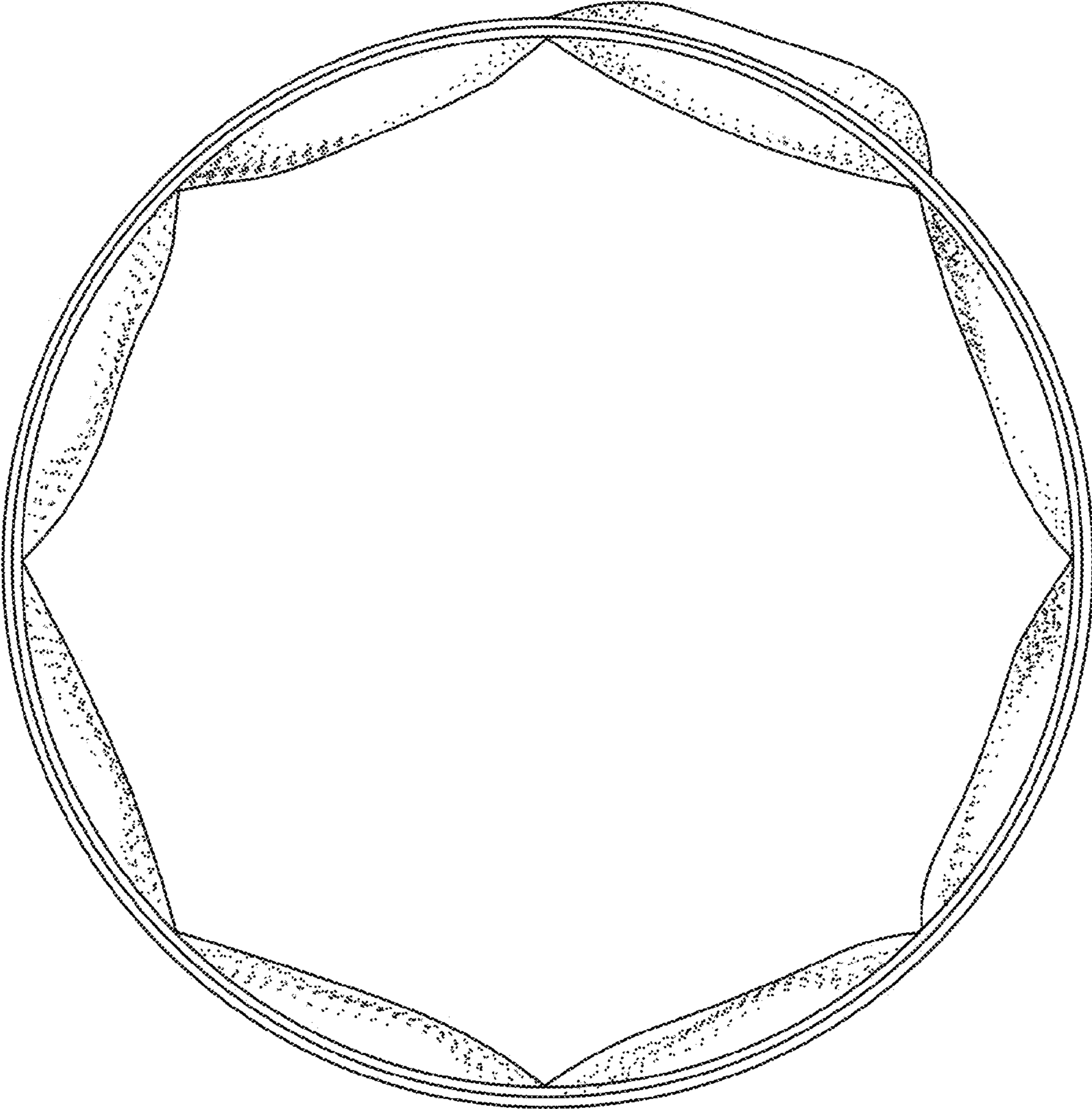


FIG. 6

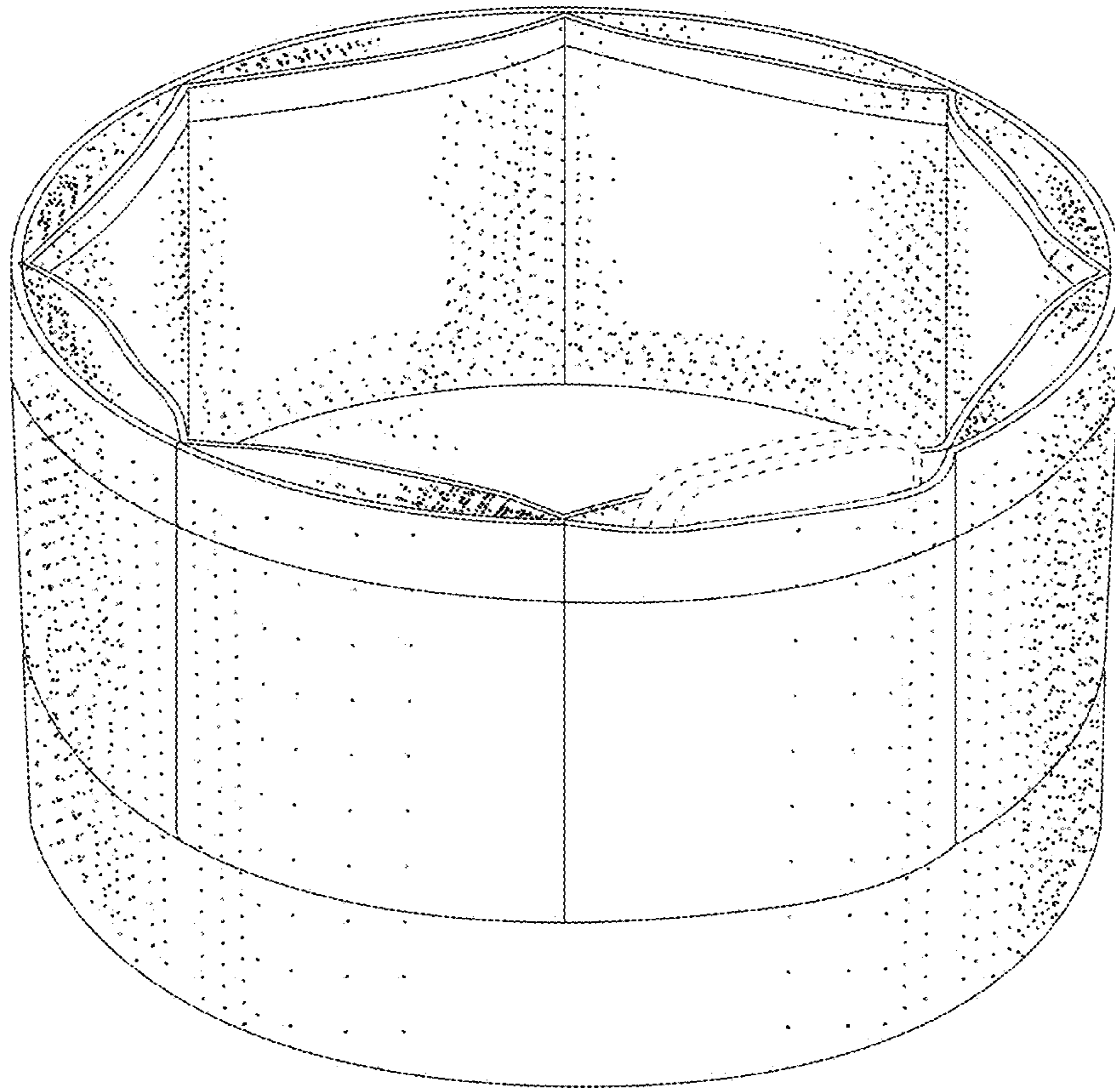


FIG. 7