



US00D745763S

(12) **United States Design Patent**
Froutan et al.

(10) **Patent No.:** **US D745,763 S**

(45) **Date of Patent:** **** Dec. 15, 2015**

(54) **HANDLE FOR MOBILE DEVICE**

(71) Applicant: **Xenex Disinfection Services, LLC**, San Antonio, TX (US)

(72) Inventors: **Paul P. Froutan**, Katy, TX (US); **James R. Ogle**, Sanford, MI (US); **Boris Ciorneiu**, Great Falls, VA (US); **Rachael A. Sparks**, San Antonio, TX (US)

(73) Assignee: **Xenex Disinfection Services, LLC**, San Antonio, TX (US)

(**) Term: **14 Years**

(21) Appl. No.: **29/472,528**

(22) Filed: **Nov. 13, 2013**

(51) **LOC (10) Cl.** **12-02**

(52) **U.S. Cl.**

USPC **D34/27**

(58) **Field of Classification Search**

USPC D34/12-27, 35; 280/30, 645, 47.36, 280/47.34, 79.11, 79.2, 79.3; 211/187

CPC B62B 5/06; B62B 5/061; B62B 5/064; B62B 9/20

See application file for complete search history.

(56) **References Cited**

U.S. PATENT DOCUMENTS

4,762,331 A * 8/1988 Tucker et al. 280/30
5,044,650 A * 9/1991 Eberle, Jr. 280/304.1

(Continued)

OTHER PUBLICATIONS

“Offex 2 Large Tub Shelf Mobile Multipurpose Kitchen Utility Storage Service Cart 32 Wx37.25 H Black” downloaded from www.amazon.com on Nov. 13, 2013.

Primary Examiner — Cynthia Ramirez

Assistant Examiner — Gino Colan

(74) *Attorney, Agent, or Firm* — Mollie E. Lettang; Daffer McDaniel LLP

(57) **CLAIM**

The ornamental design for a handle for mobile device, as shown and described.

DESCRIPTION

FIG. 1 is a front perspective view of one embodiment of a handle for mobile device showing our new design;

FIGS. 2 and 3 are, respectively, front and rear elevational views of the handle for mobile device of FIG. 1;

FIG. 4 is a right elevational view of the handle for mobile device of FIG. 1;

FIG. 5 is a left elevational view of the handle for mobile device of FIG. 1;

FIGS. 6 and 7 are, respectively, top and bottom plan views of the handle for mobile device of FIG. 1;

FIG. 8 is a front perspective view of a second embodiment of a handle for mobile device showing our new design;

FIGS. 9 and 10 are, respectively, front and rear elevational views of the handle for mobile device of FIG. 8;

FIG. 11 is a right elevational view of the handle for mobile device of FIG. 8;

FIG. 12 is a left elevational view of the handle for mobile device of FIG. 8;

FIGS. 13 and 14 are, respectively, top and bottom plan views of the handle for mobile device of FIG. 8;

FIG. 15 is a front perspective view of a third embodiment of a handle for mobile device showing our new design;

FIGS. 16 and 17 are, respectively, front and rear elevational views of the handle for mobile device of FIG. 15;

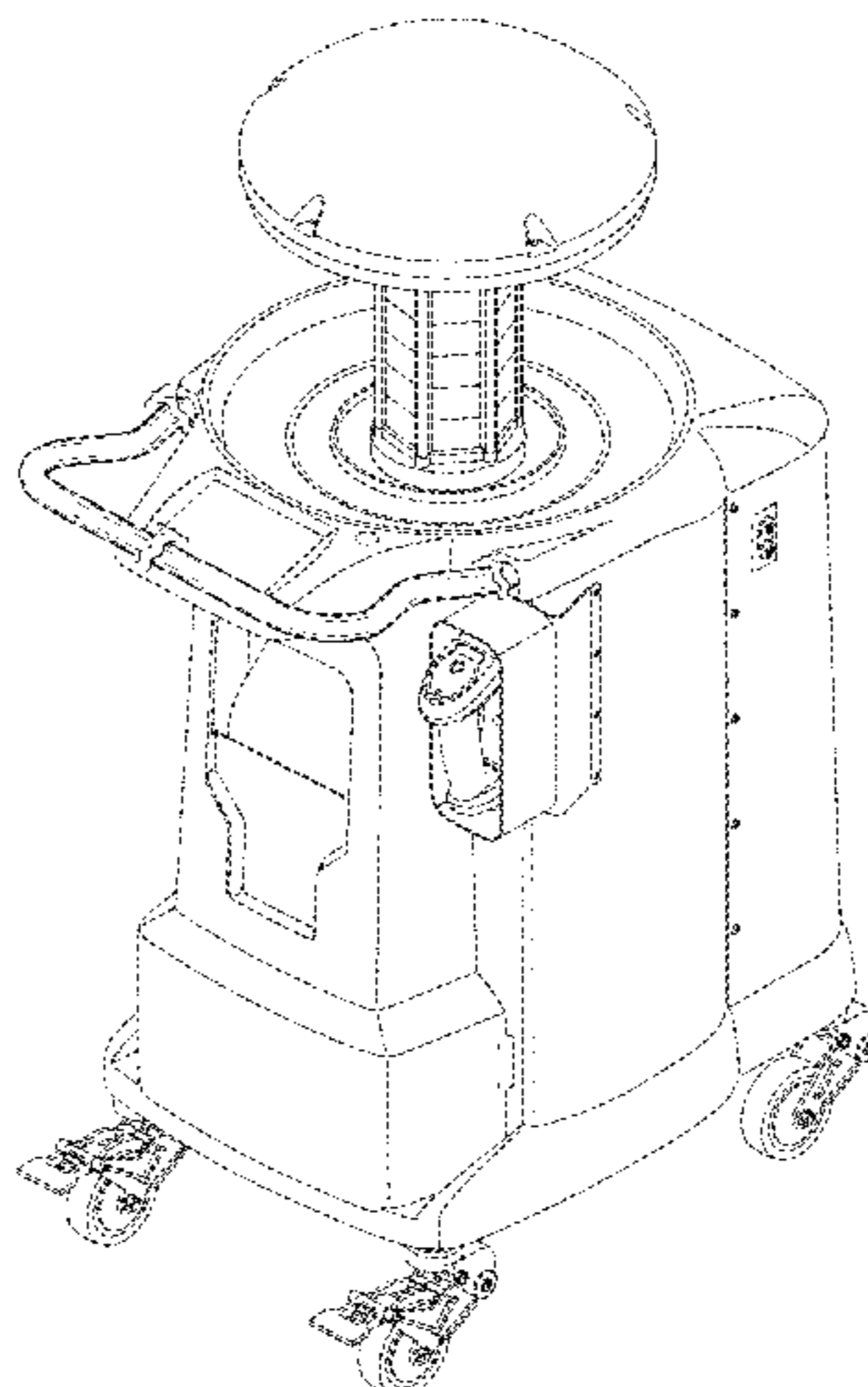
FIG. 18 is a right elevational view of the handle for mobile device of FIG. 15;

FIG. 19 is a left elevational view of the handle for mobile device of FIG. 15; and,

FIGS. 20 and 21 are, respectively, top and bottom plan views of the handle for mobile device of FIG. 15.

The broken line showing in the figures is for the purpose of illustrating environment and forms no part of the claimed design. The handle for mobile device is shown with a symbolic break in its length. The appearance of any portion of the article between the break lines forms no part of the claimed design.

1 Claim, 18 Drawing Sheets



US D745,763 S

Page 2

(56)

References Cited

U.S. PATENT DOCUMENTS

D396,925 S *	8/1998	Kessler et al.	D34/27	D482,836 S *	11/2003	Van Landingham, Jr.	D34/27
6,065,189 A *	5/2000	Trine	16/436	D553,324 S *	10/2007	Lieblein	D34/14
D462,821 S *	9/2002	Measom	D34/27	D642,763 S *	8/2011	Liang	D34/14
				8,816,301 B2 *	8/2014	Stibich et al.	250/455.11
				2015/0205985 A1 *	7/2015	Jinadatha	340/10.4

* cited by examiner

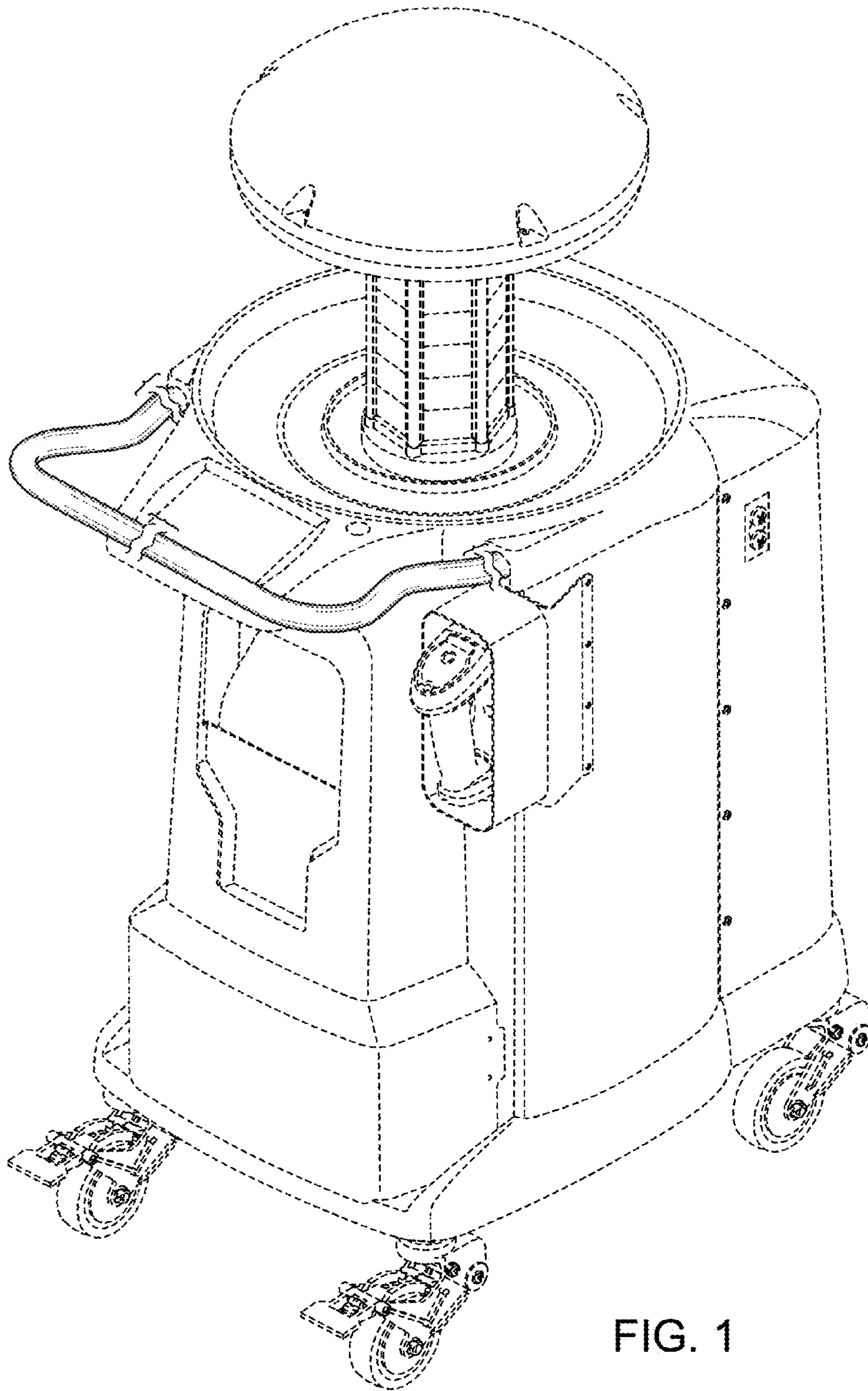


FIG. 1

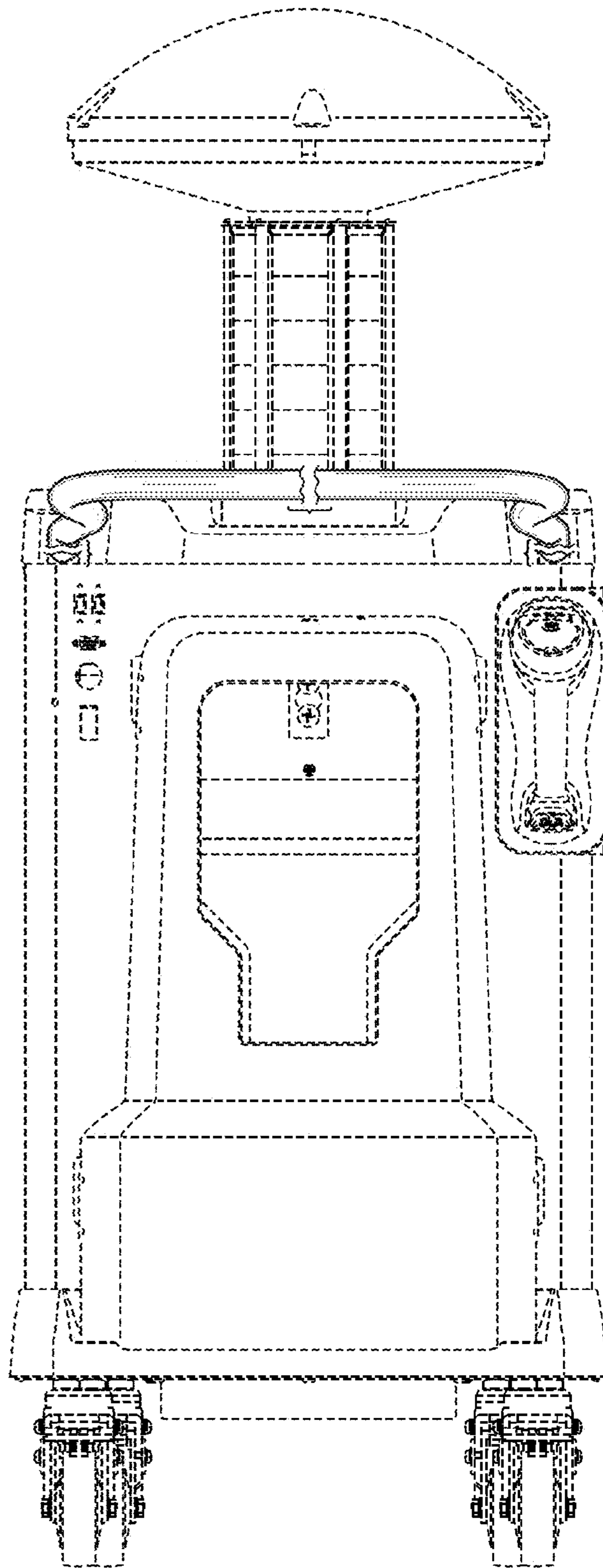


FIG. 2

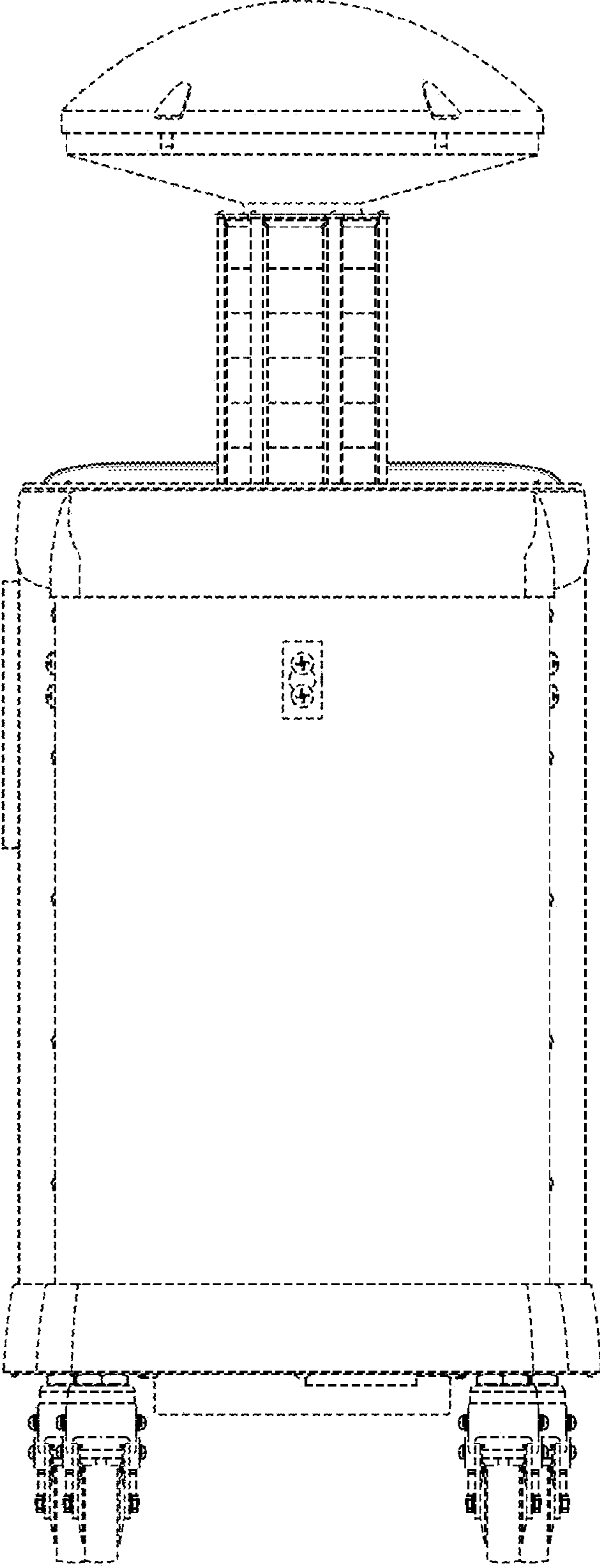


FIG. 3

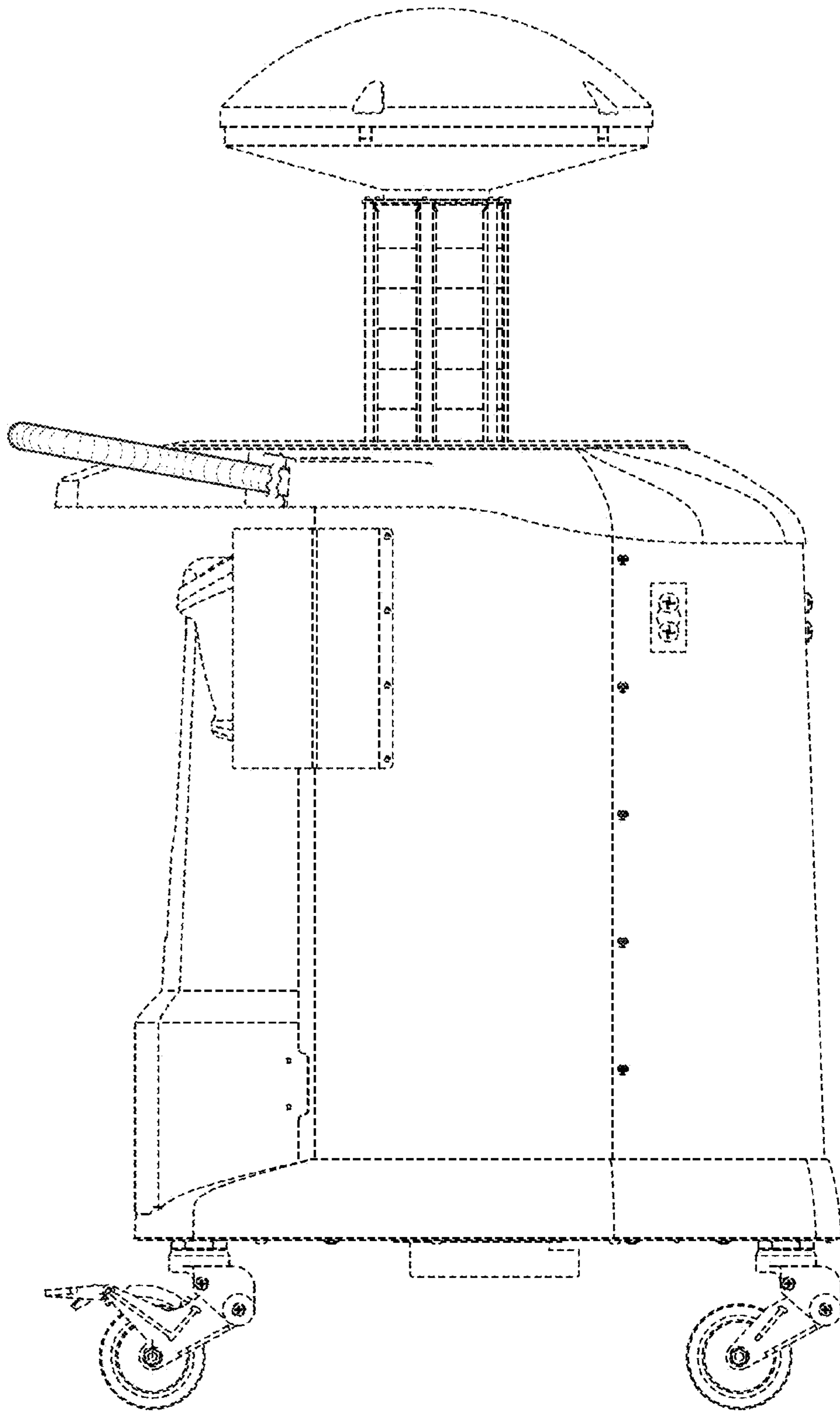


FIG. 4

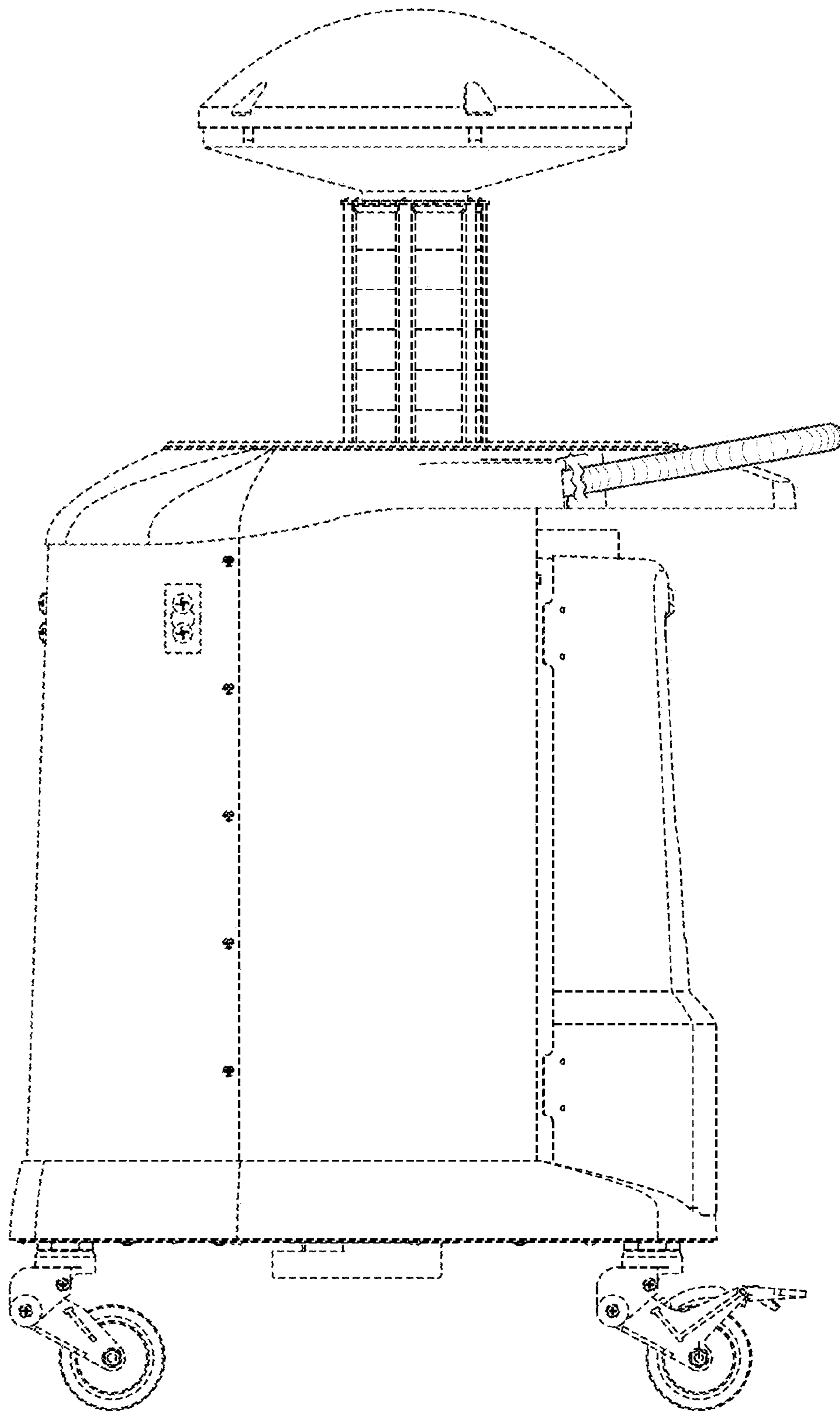


FIG. 5

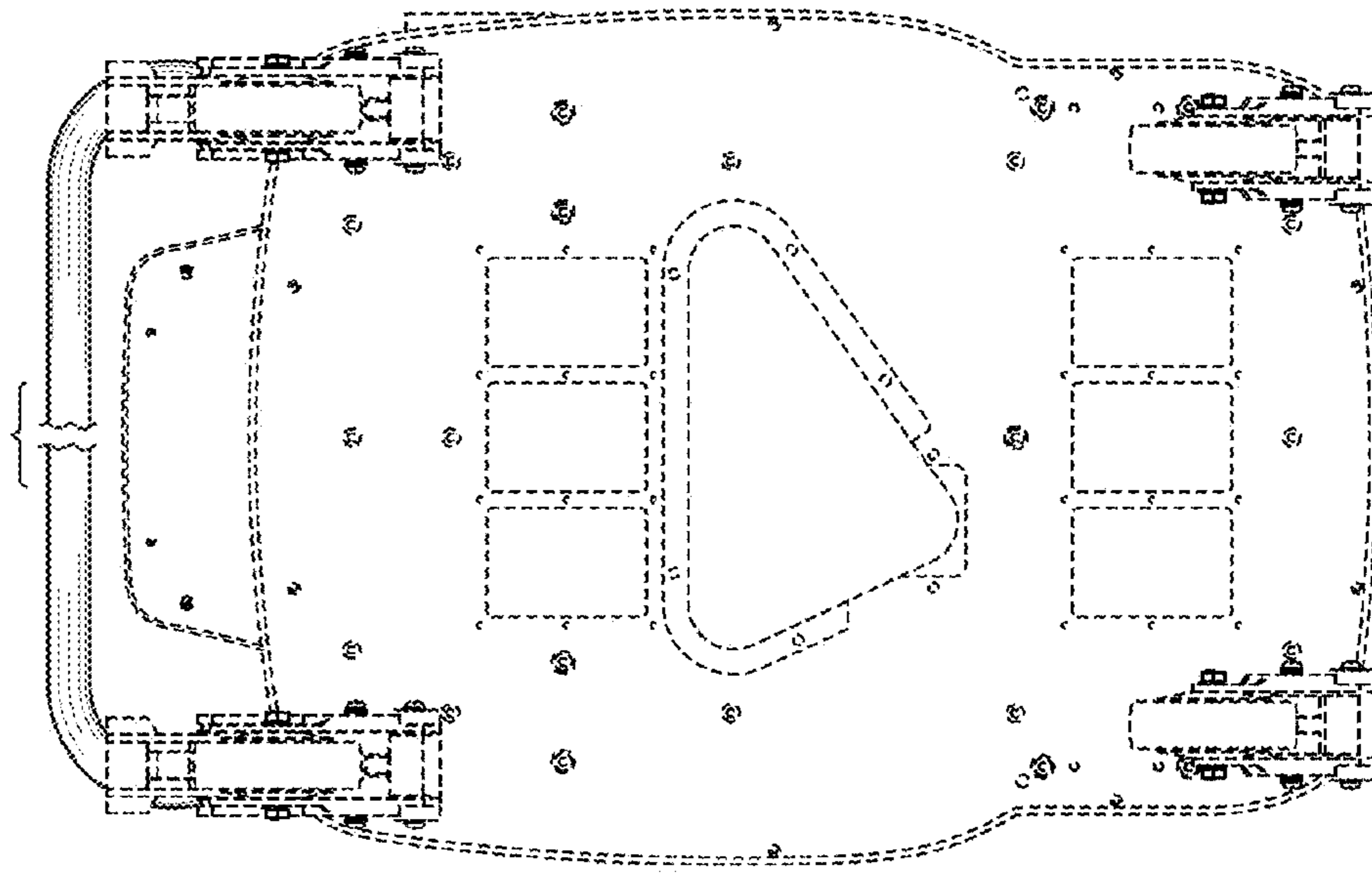


FIG. 7

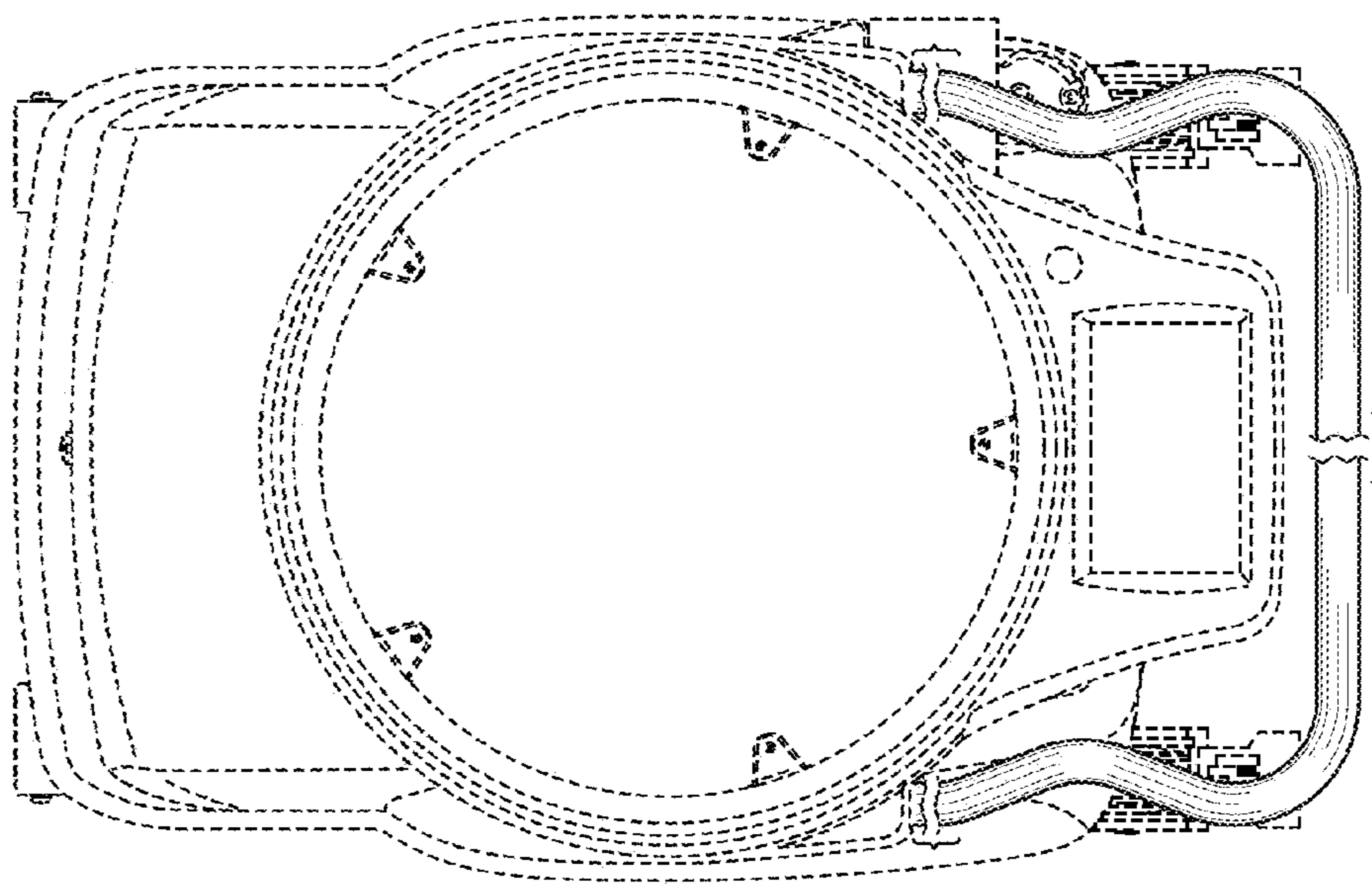


FIG. 6

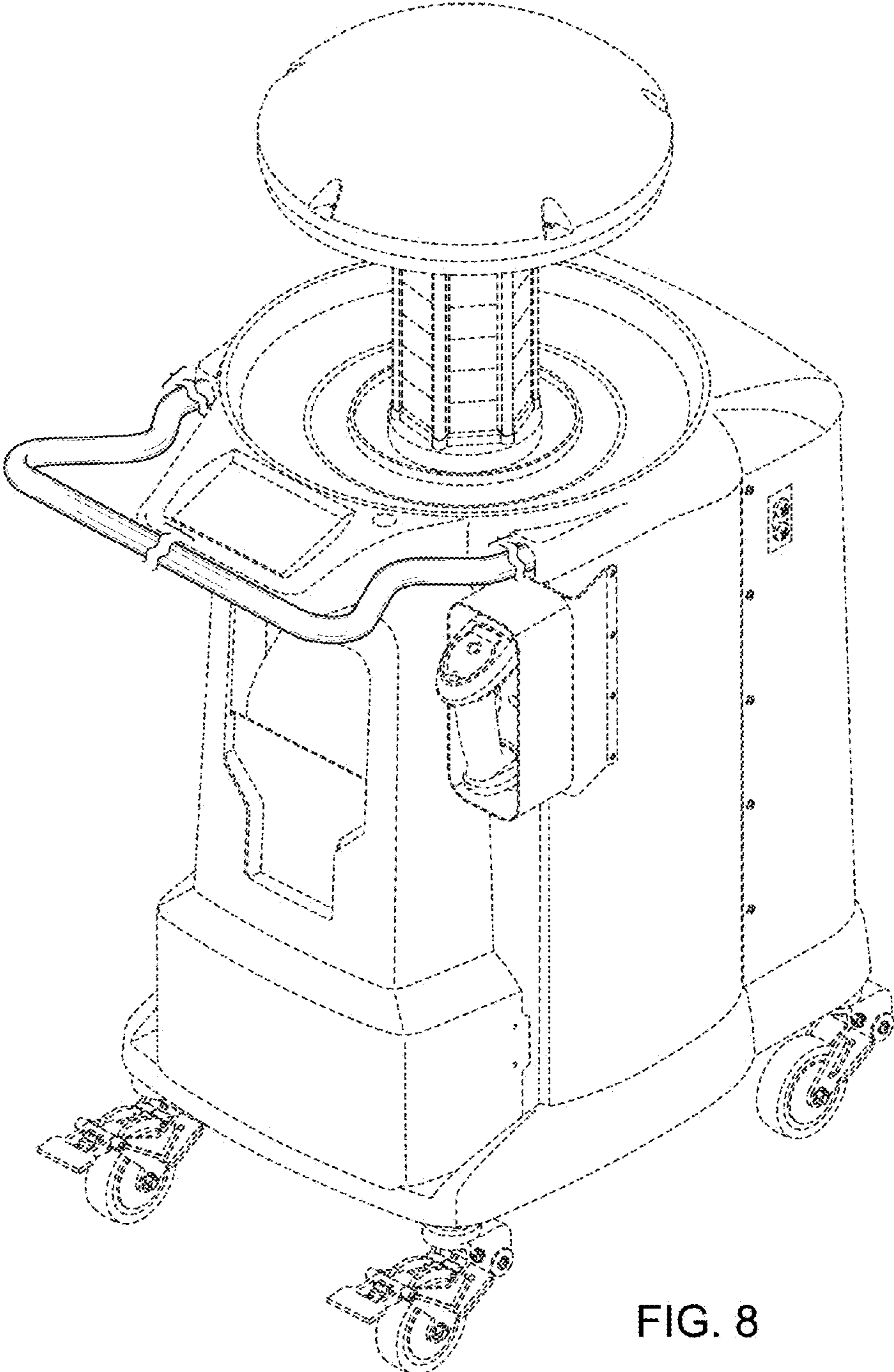


FIG. 8

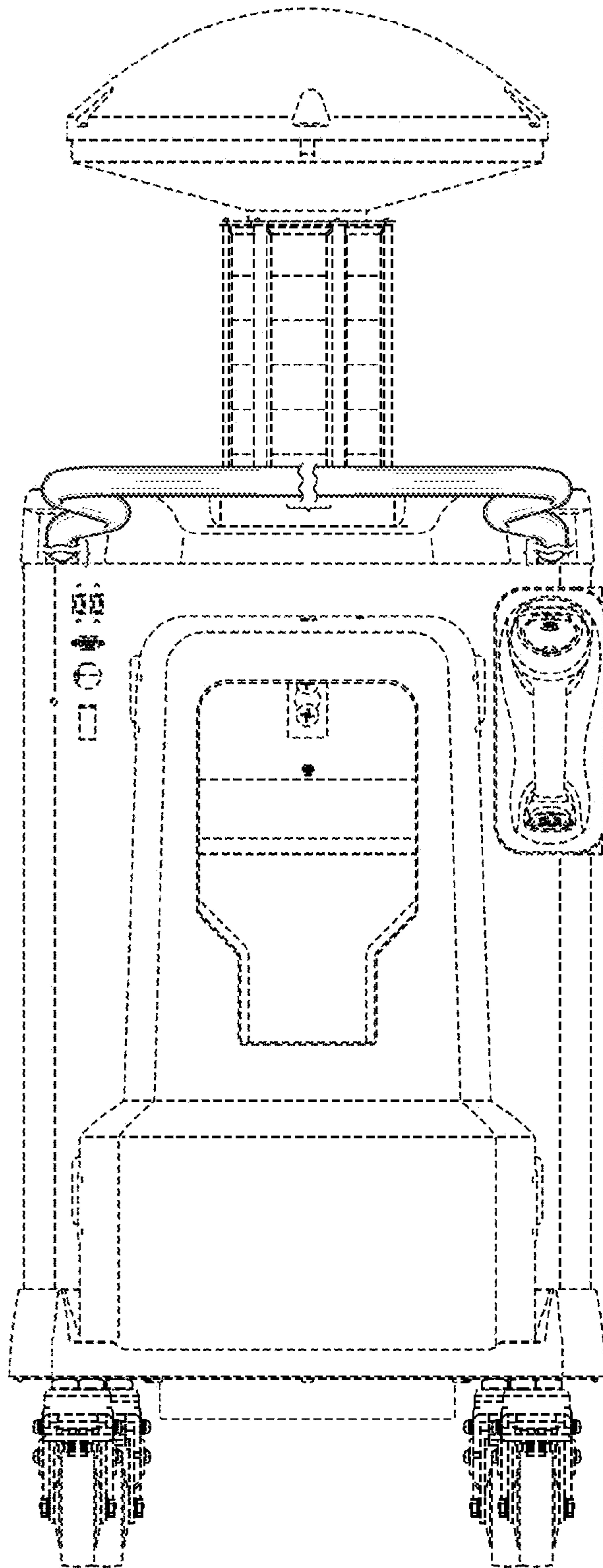


FIG. 9

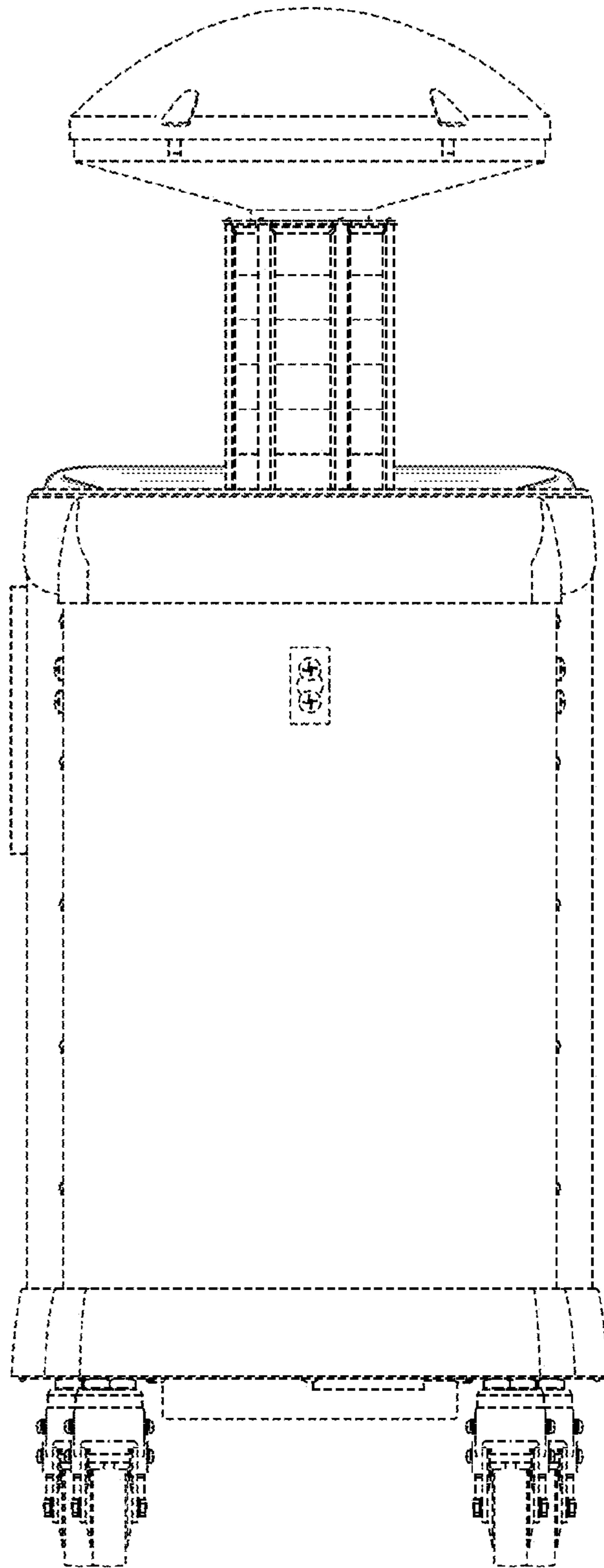


FIG. 10

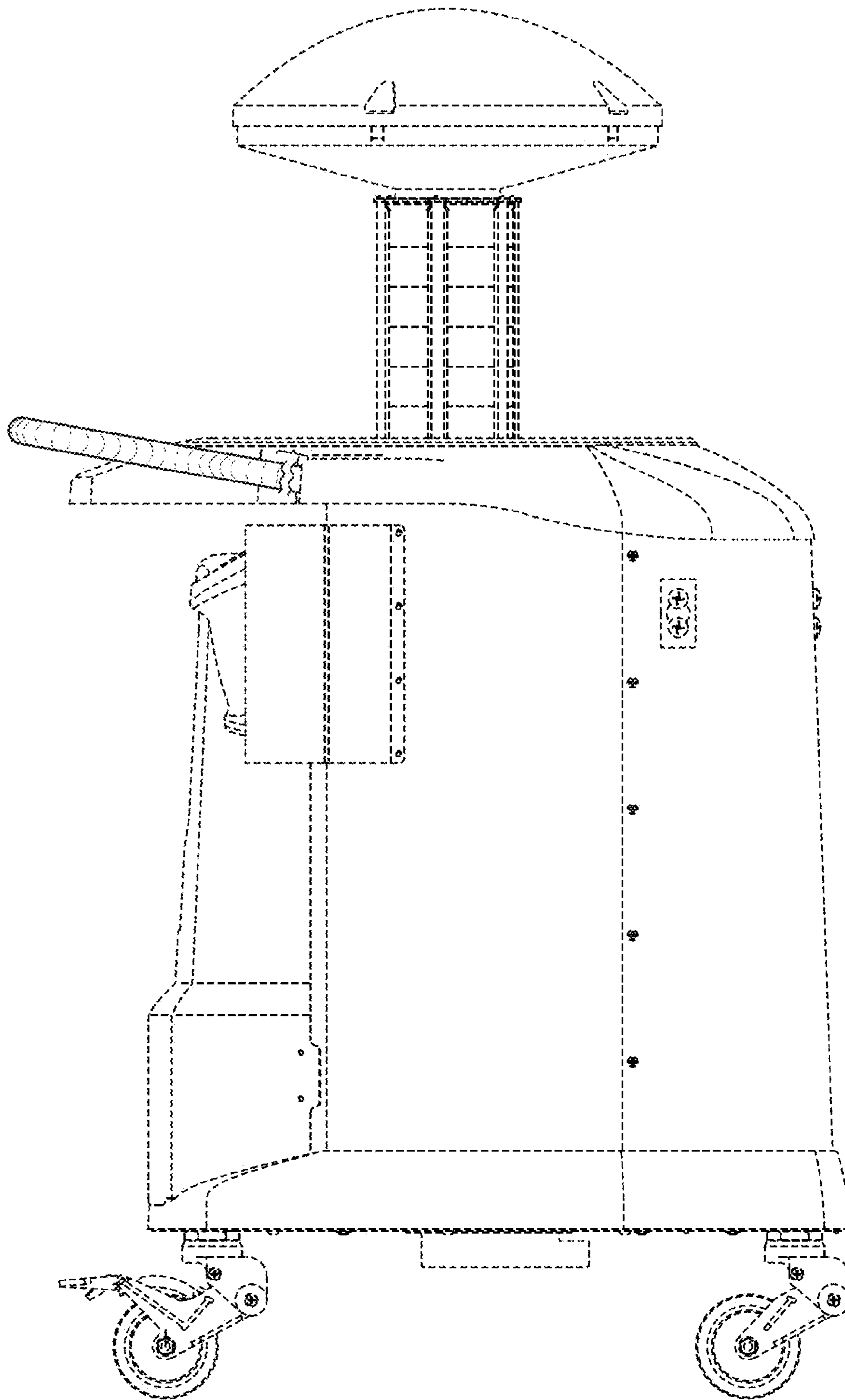


FIG. 11

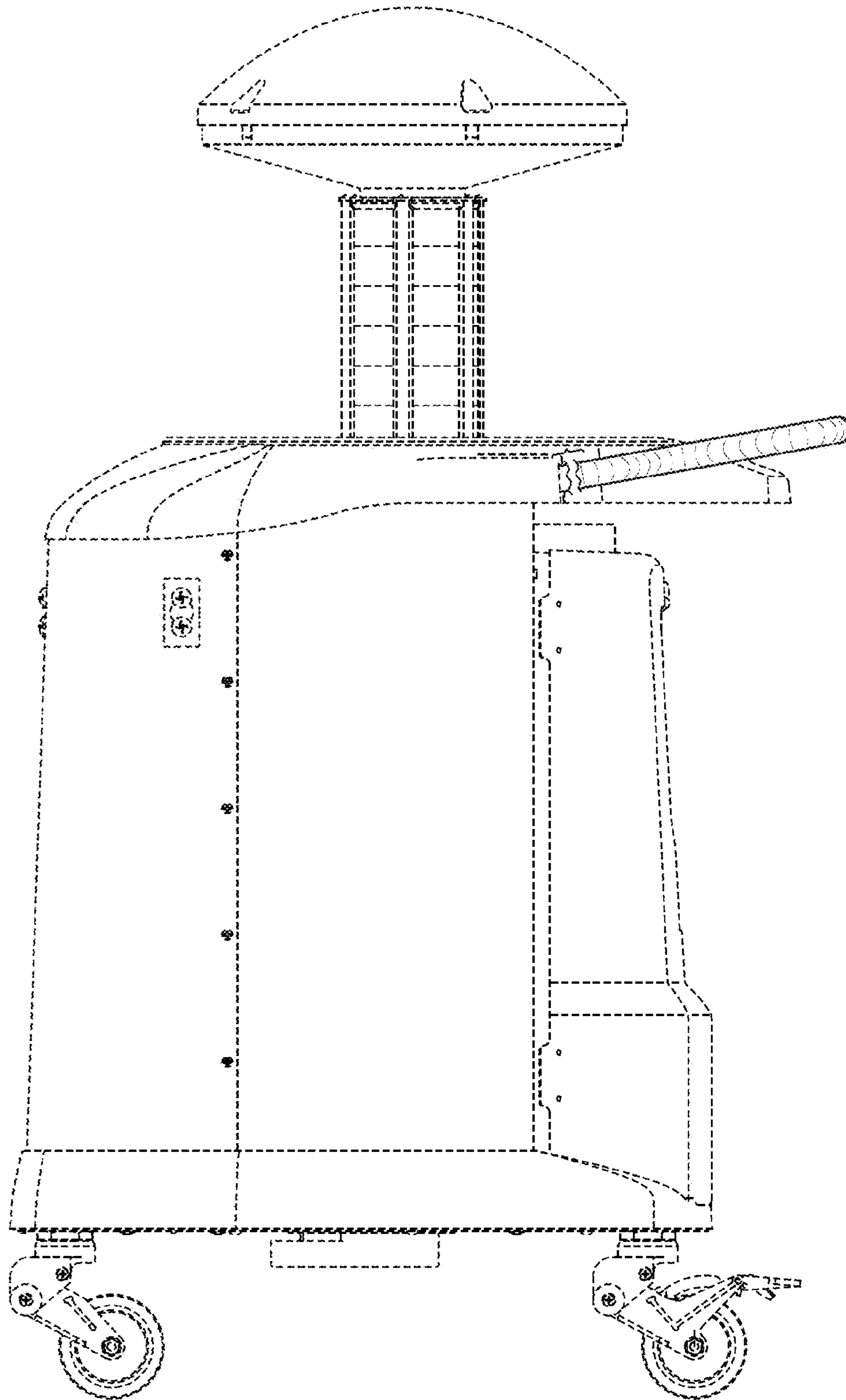


FIG. 12

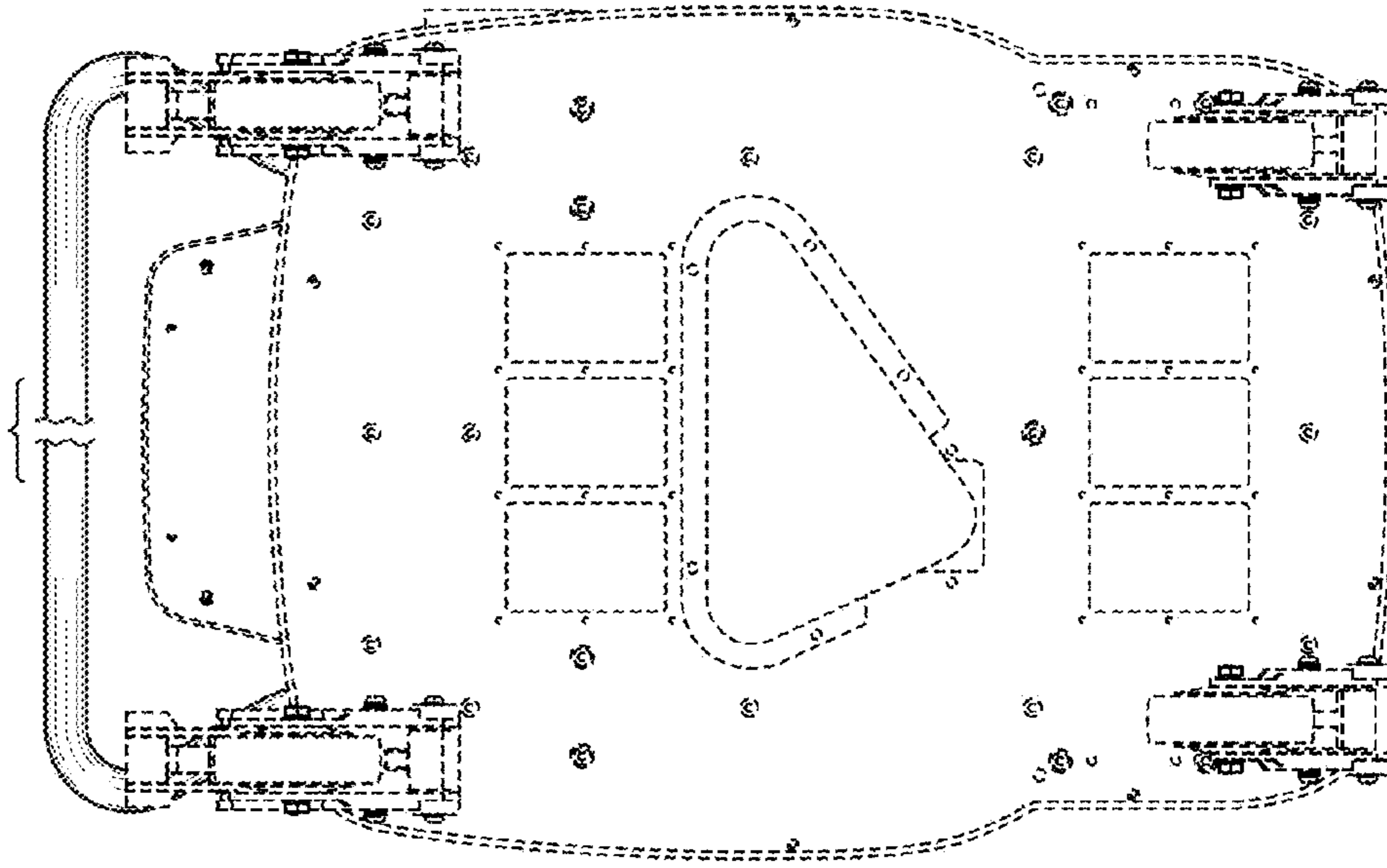


FIG. 14

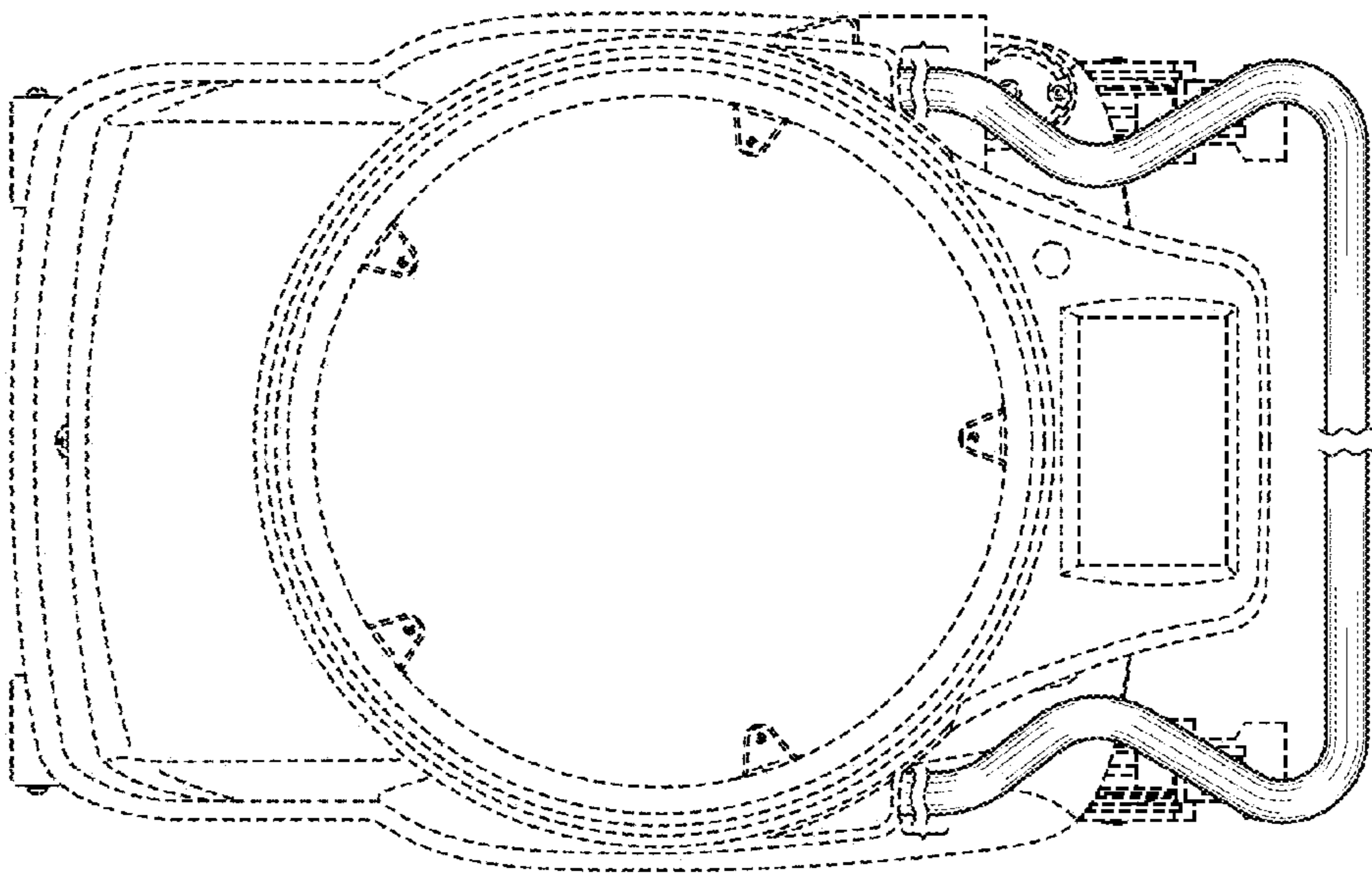


FIG. 13

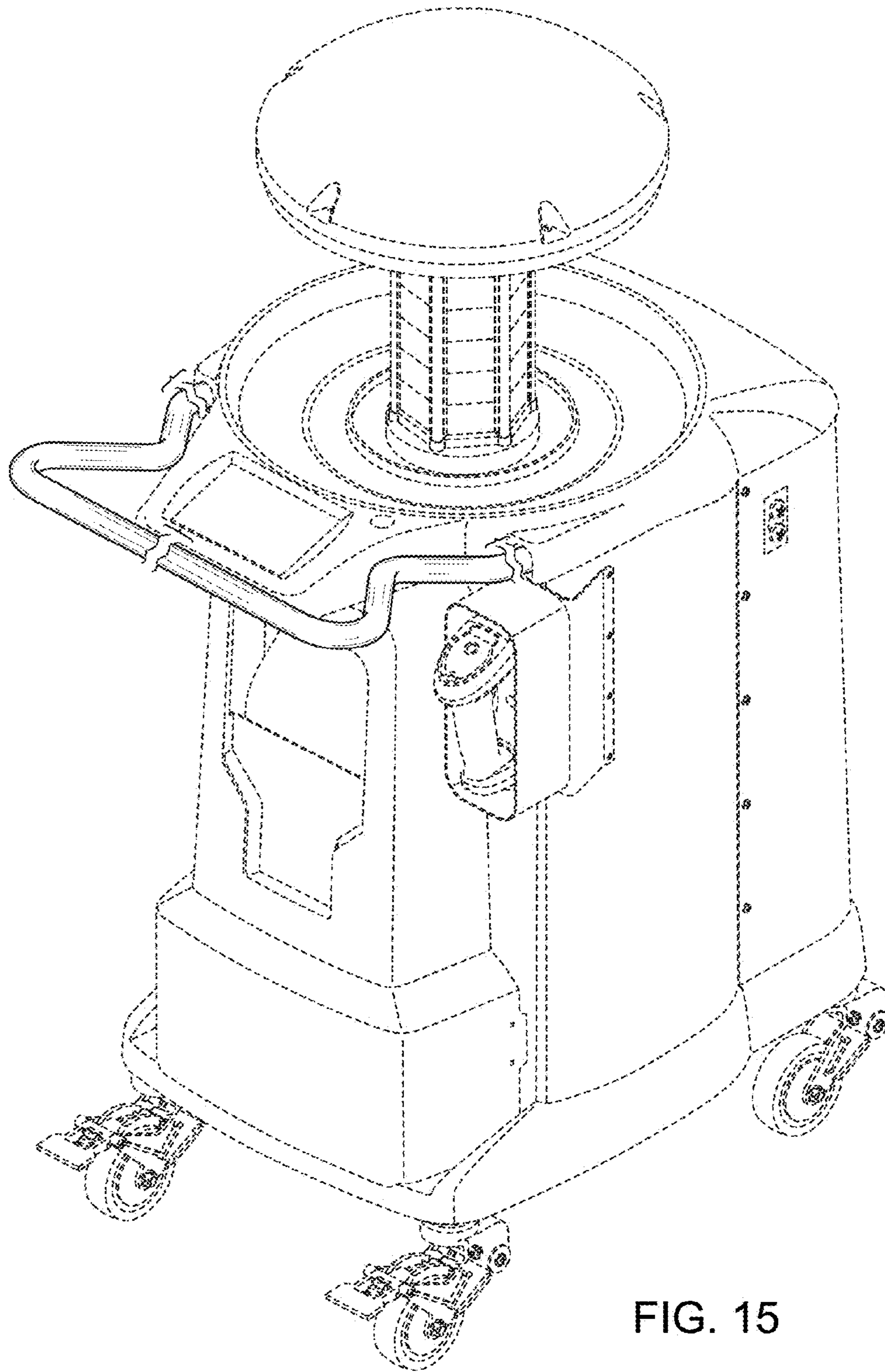


FIG. 15

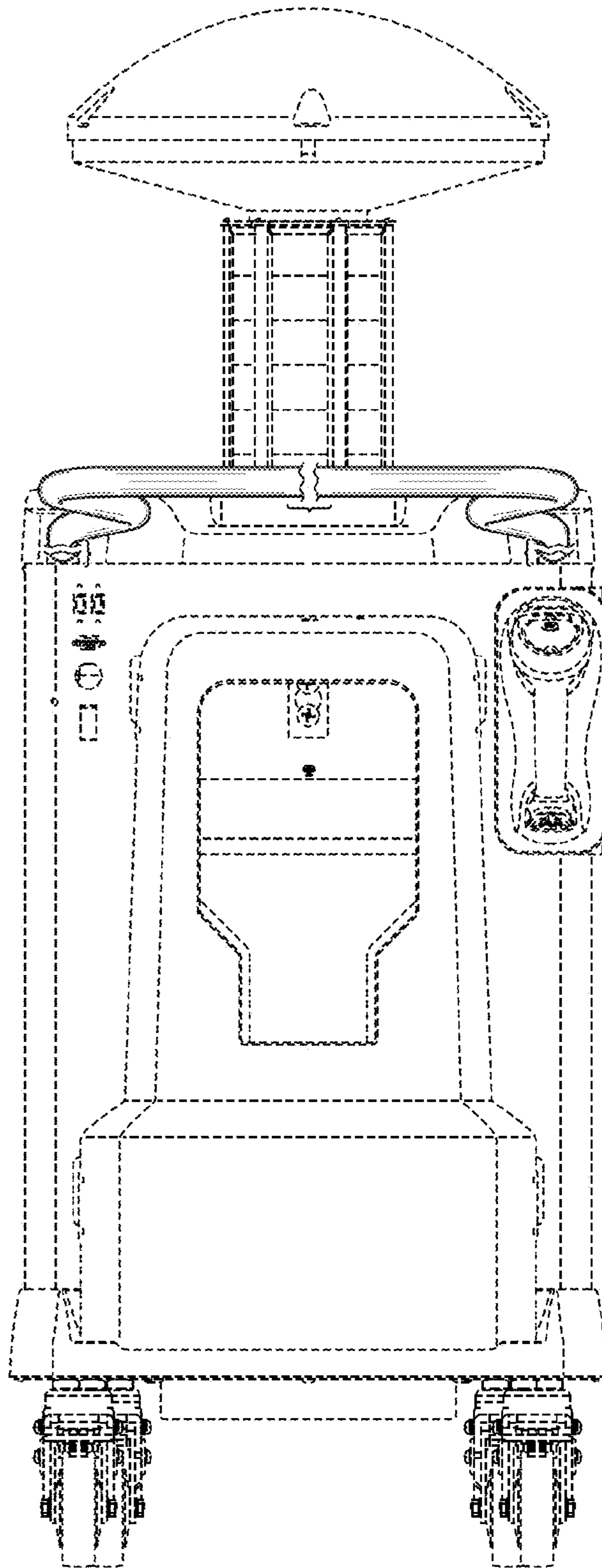


FIG. 16

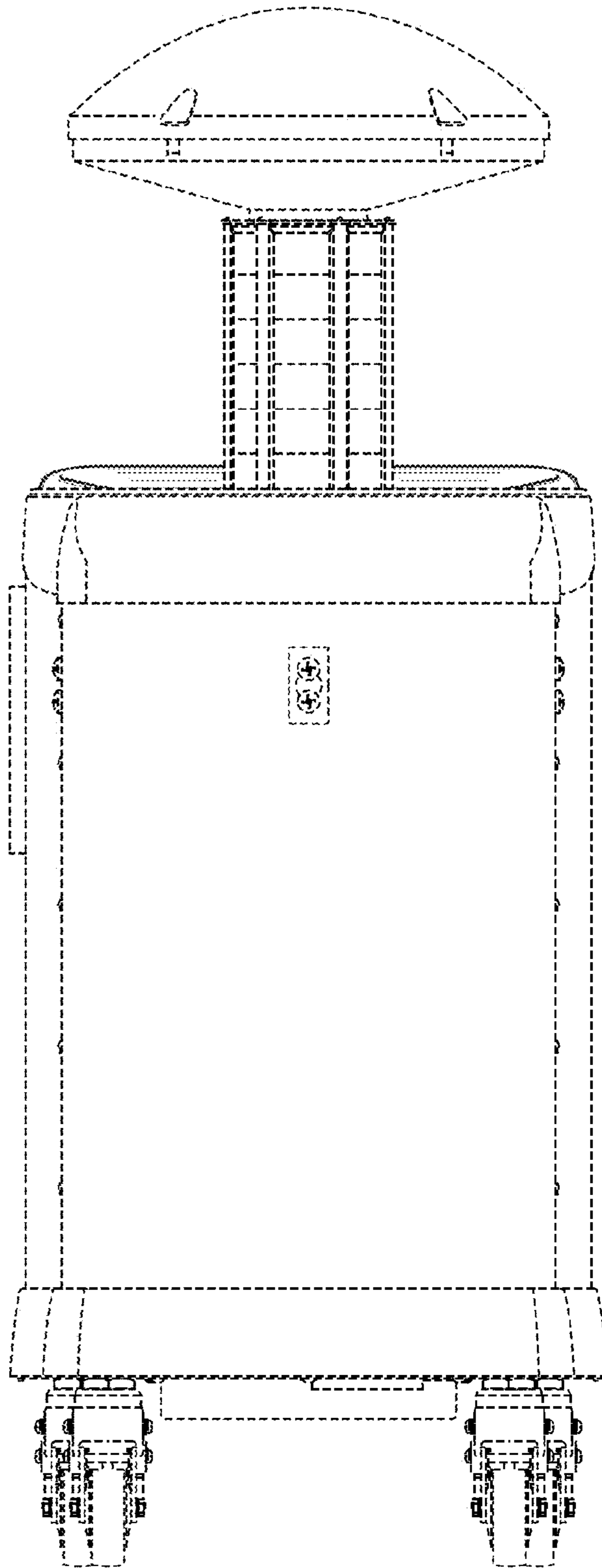


FIG. 17

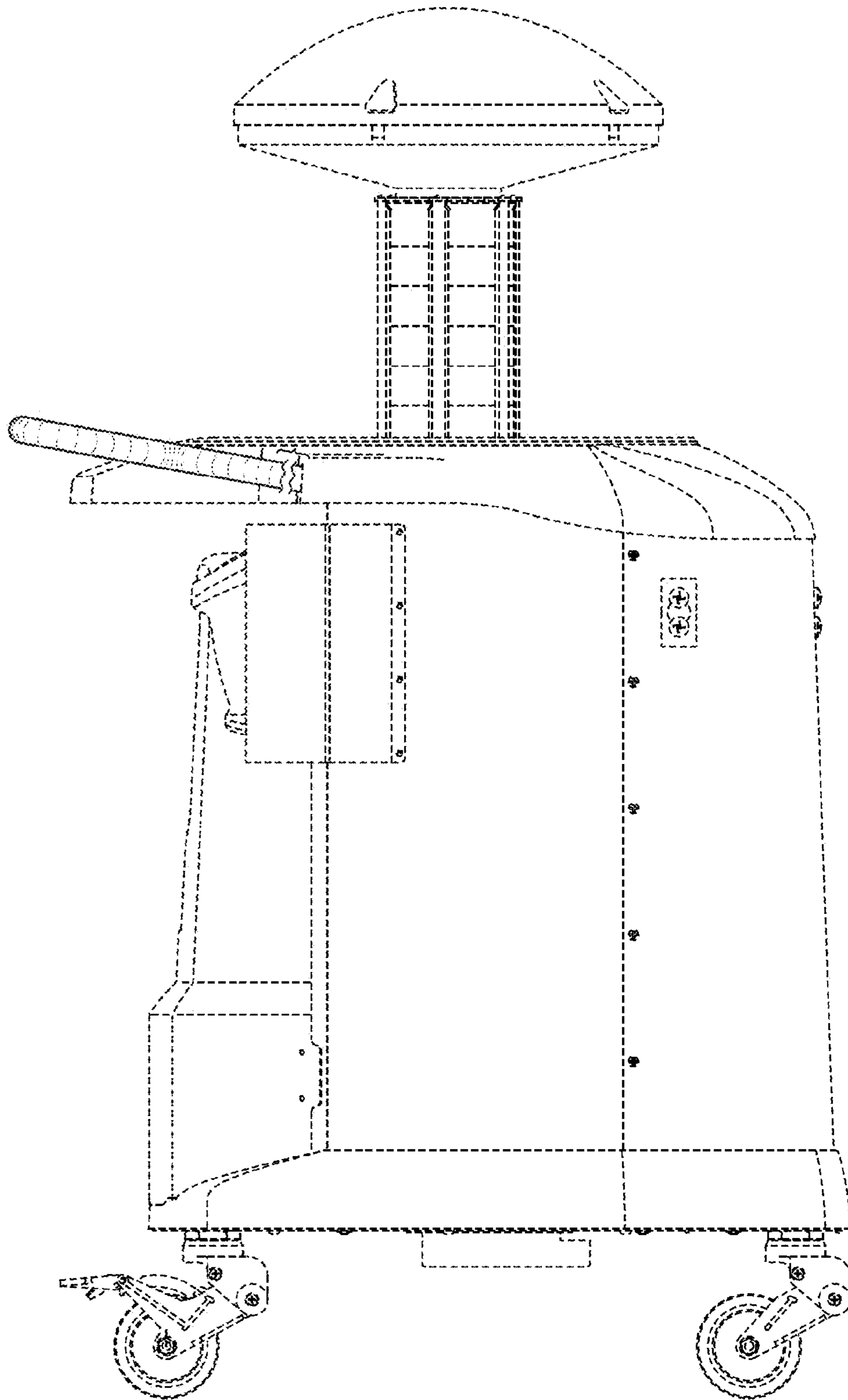


FIG. 18

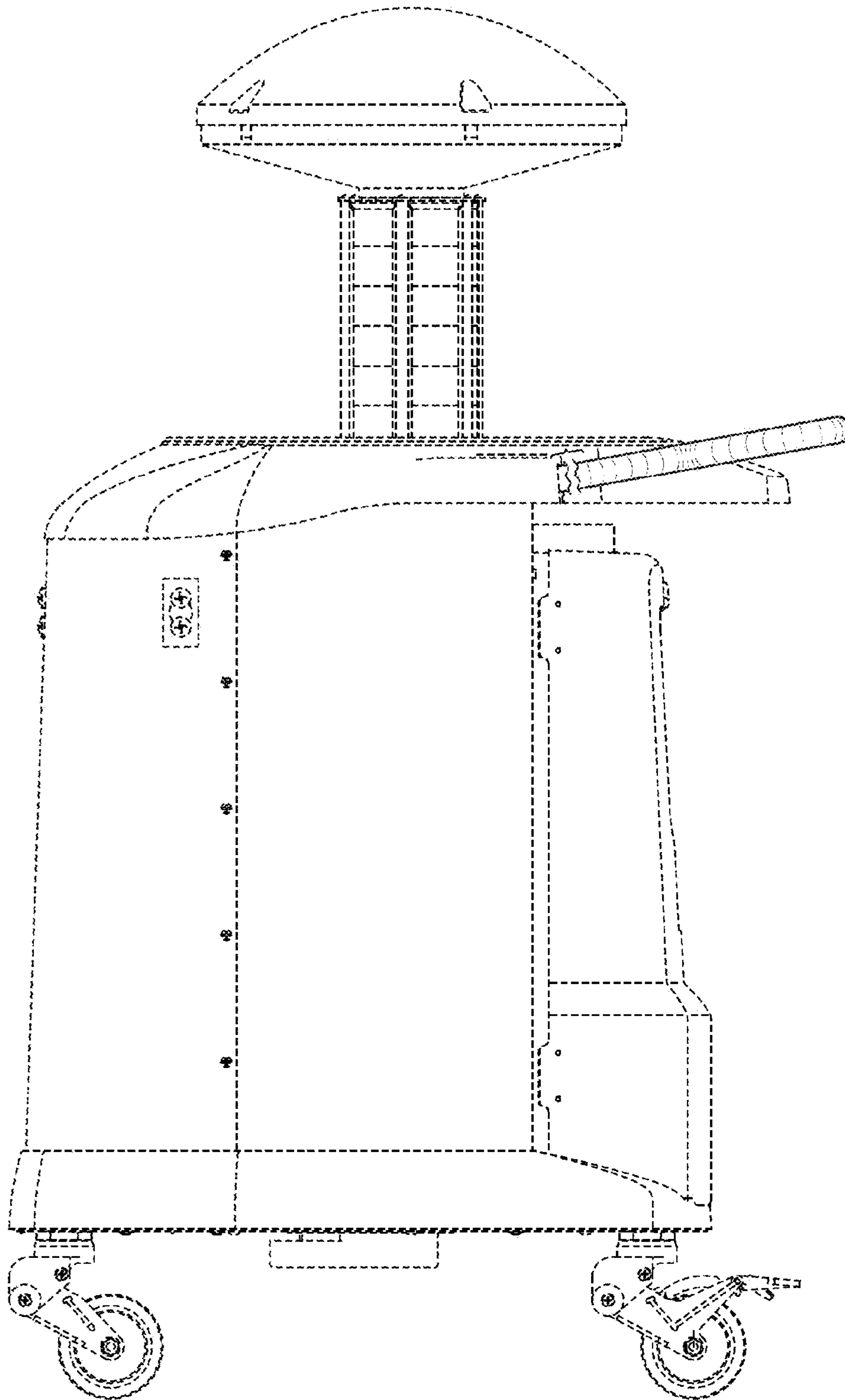


FIG. 19

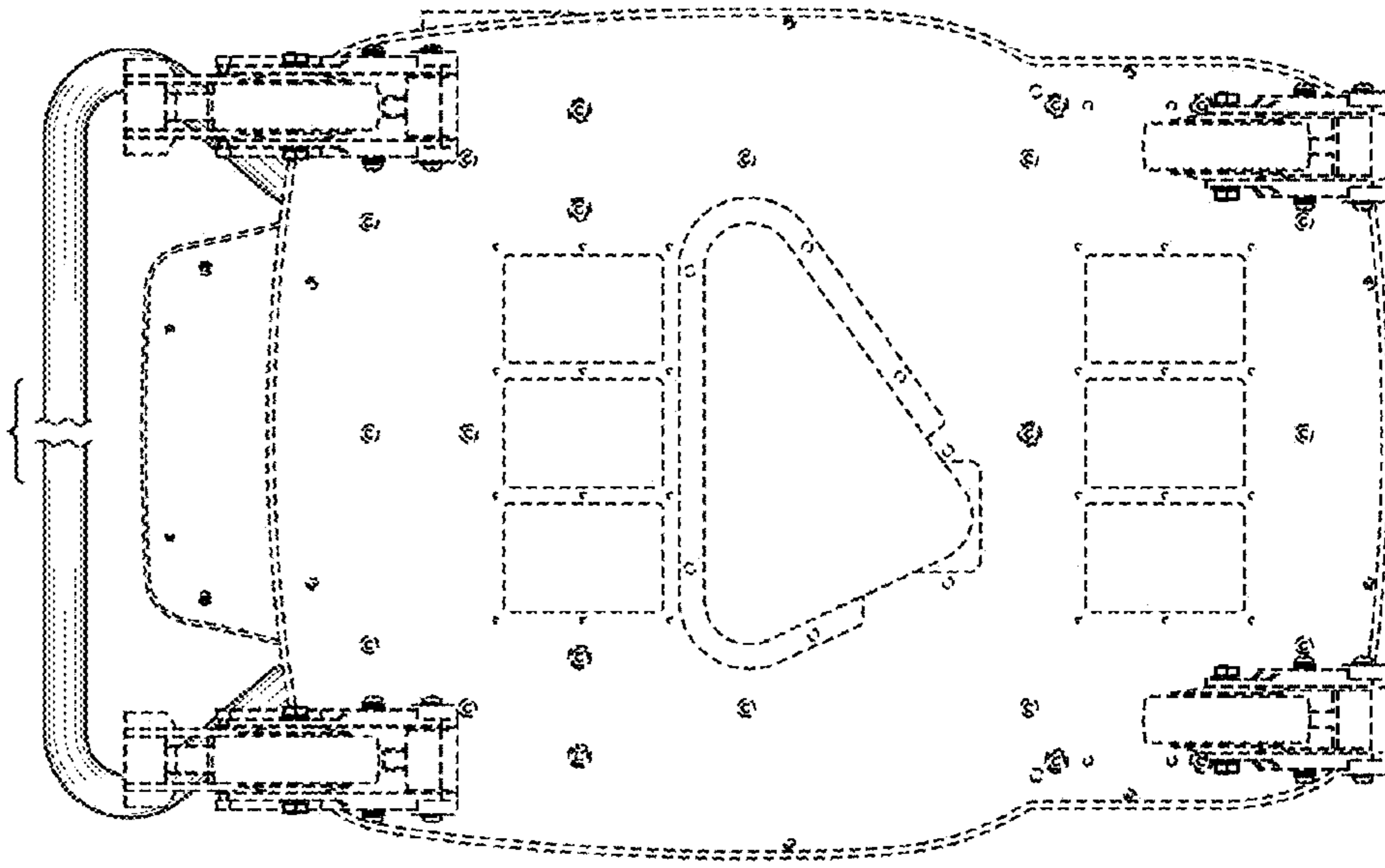


FIG. 21

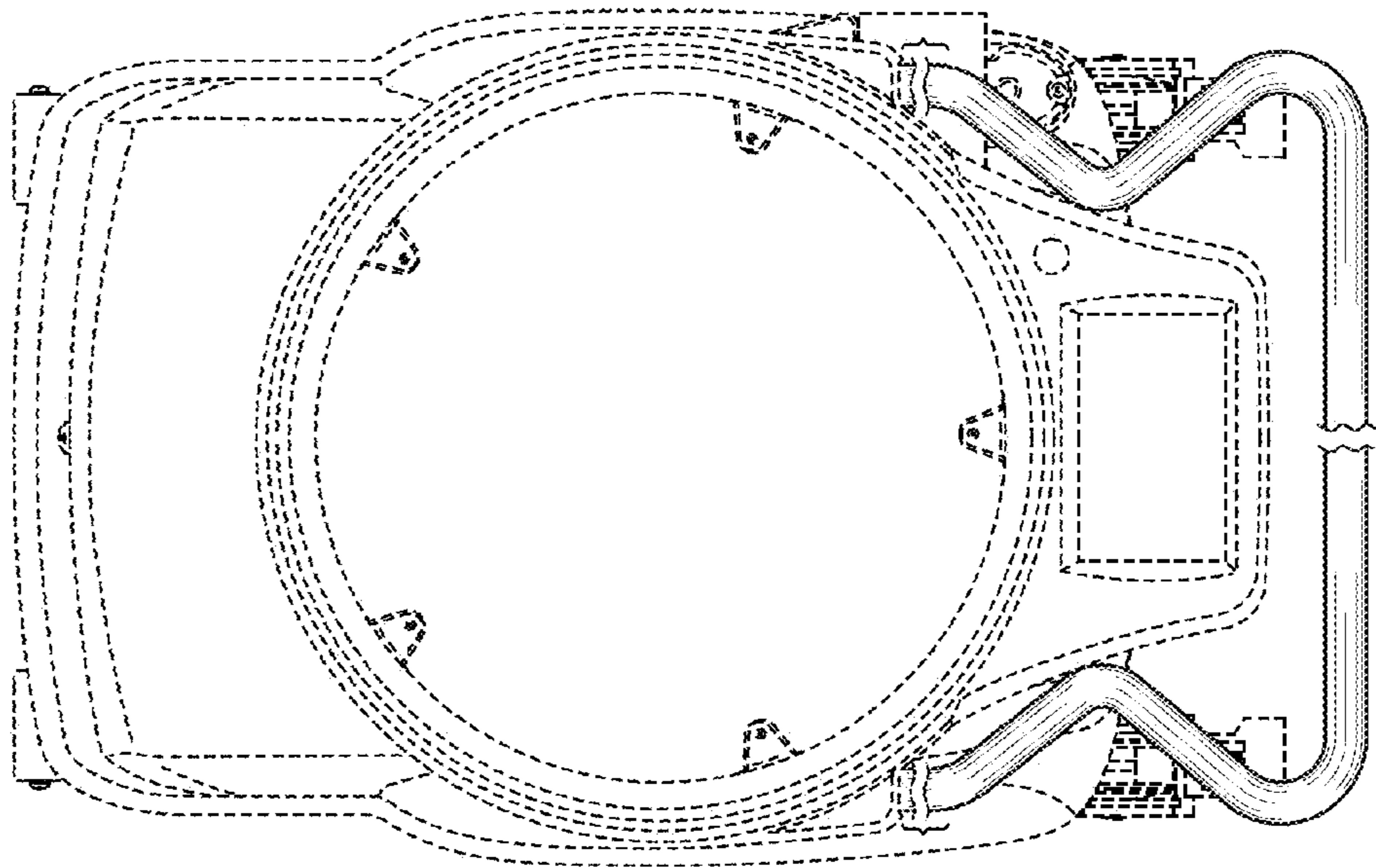


FIG. 20