



US00D745762S

(12) **United States Design Patent**  
**Abuzarifah**

(10) **Patent No.:** **US D745,762 S**  
(45) **Date of Patent:** **\*\* Dec. 15, 2015**

(54) **PAINT CONTAINER AND LID CONSTRUCTION**

D236,578 S \* 9/1975 Powell ..... D32/53  
5,472,111 A 12/1995 Renfrew  
5,964,372 A \* 10/1999 Dubois et al. .... 220/642  
6,102,235 A 8/2000 Stern et al.  
D706,509 S \* 6/2014 Morris, Jr. .... D32/53

(71) Applicant: **Khalid Abuzarifah**, Fall River, MA (US)

\* cited by examiner

(72) Inventor: **Khalid Abuzarifah**, Fall River, MA (US)

*Primary Examiner* — Robin V Webster

(\*\*) Term: **14 Years**

(74) *Attorney, Agent, or Firm* — Salter & Michaelson

(21) Appl. No.: **29/520,096**

(57) **CLAIM**

(22) Filed: **Mar. 11, 2015**

The ornamental design for a paint container and lid construction, as shown and described.

**Related U.S. Application Data**

**DESCRIPTION**

(62) Division of application No. 29/475,536, filed on Dec. 4, 2013, now Pat. No. Des. 729,477.

(51) **LOC (10) Cl.** ..... **07-07**

(52) **U.S. Cl.**  
USPC ..... **D32/53**

(58) **Field of Classification Search**  
USPC ..... D32/53, 53.1, 54; 15/260–264;  
220/904, 659, 258.2, 212  
See application file for complete search history.

FIG. 1 is a perspective view of a paint container and lid construction showing a closed container;  
FIG. 2 is a perspective view showing the lid in an in-use position;  
FIG. 3 is a top plan view thereof;  
FIG. 4 is a bottom plan view thereof;  
FIG. 5 is a front elevational view thereof;  
FIG. 6 is a rear elevational view thereof;  
FIG. 7 is a right side elevational view thereof; and,  
FIG. 8 is a left side elevational view thereof.

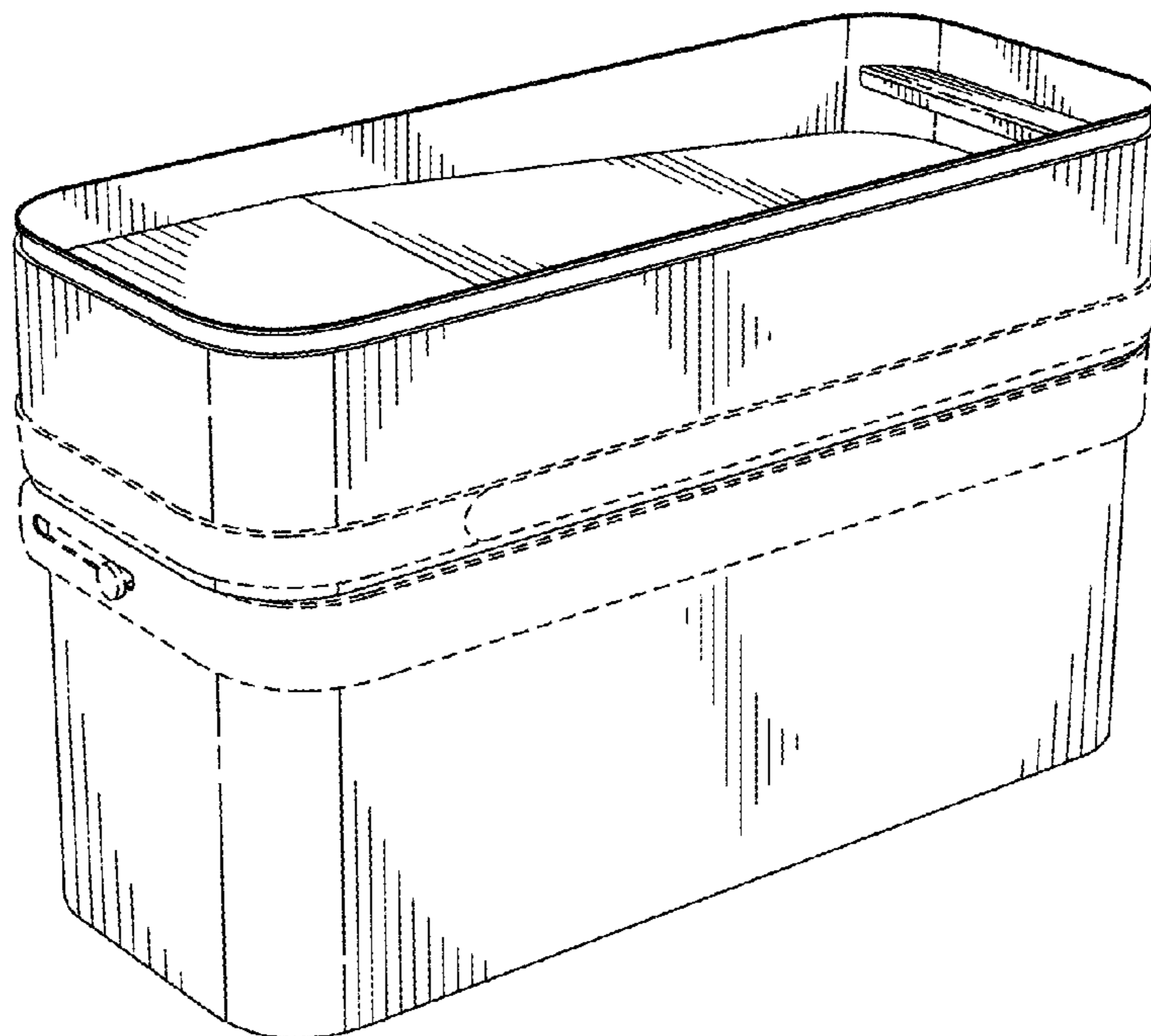
(56) **References Cited**

The broken lines shown in the drawing views are included for the purpose of showing environmental structure that forms no part of the claimed design.

**U.S. PATENT DOCUMENTS**

D232,152 S \* 7/1974 Roper et al. .... D32/53  
D233,218 S \* 10/1974 Lynn ..... D32/53

**1 Claim, 8 Drawing Sheets**



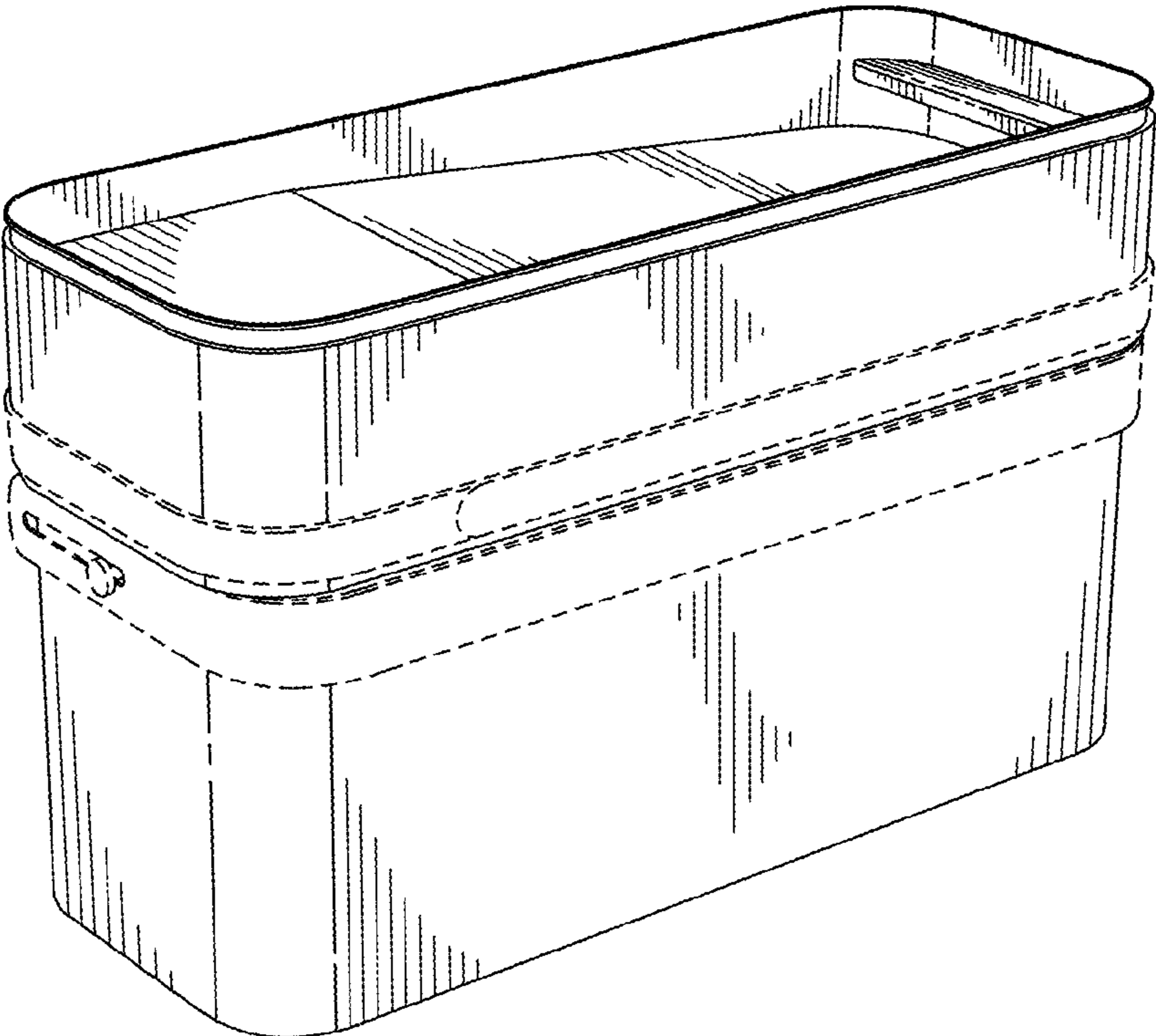


FIG. 1

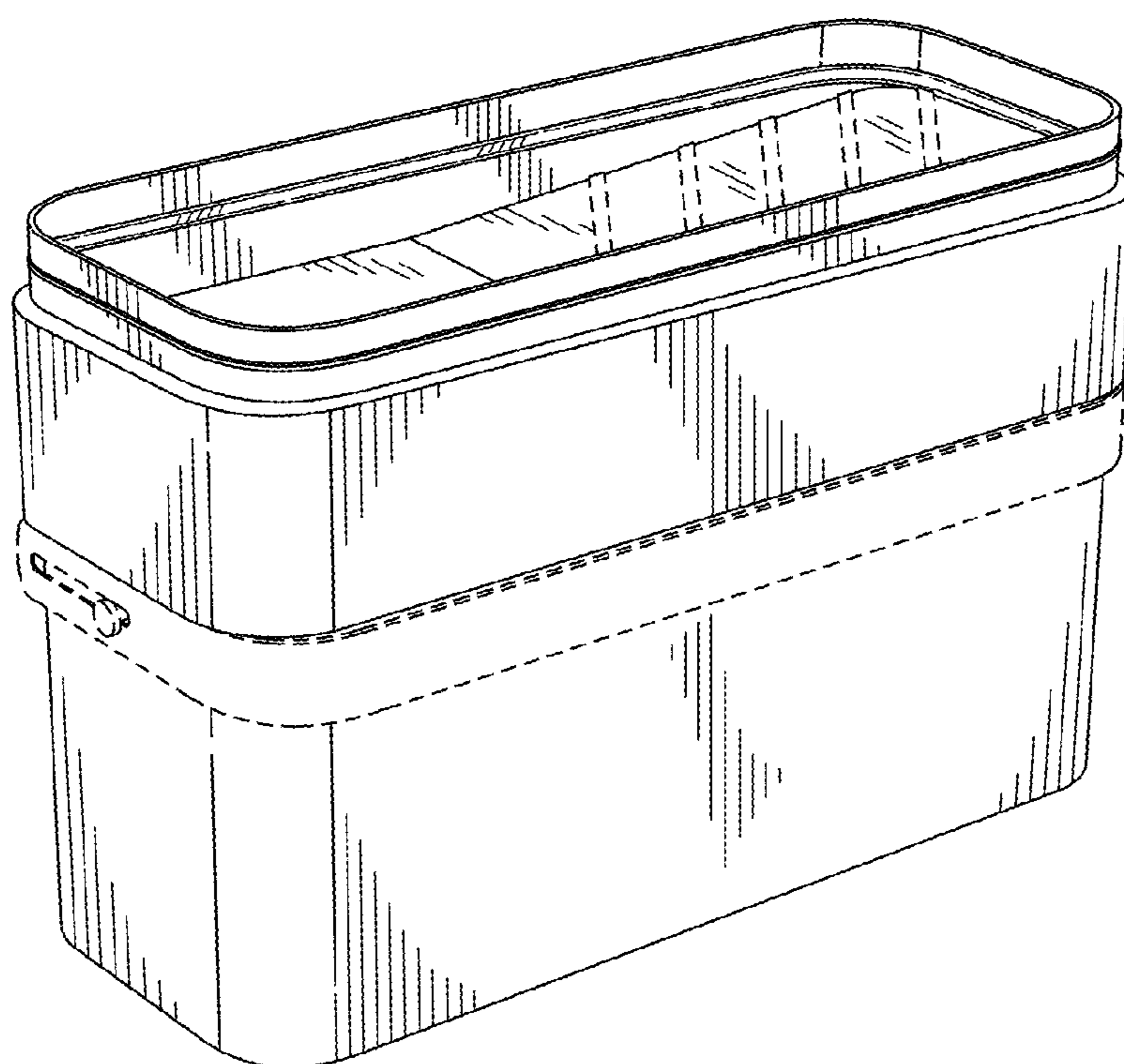


FIG. 2

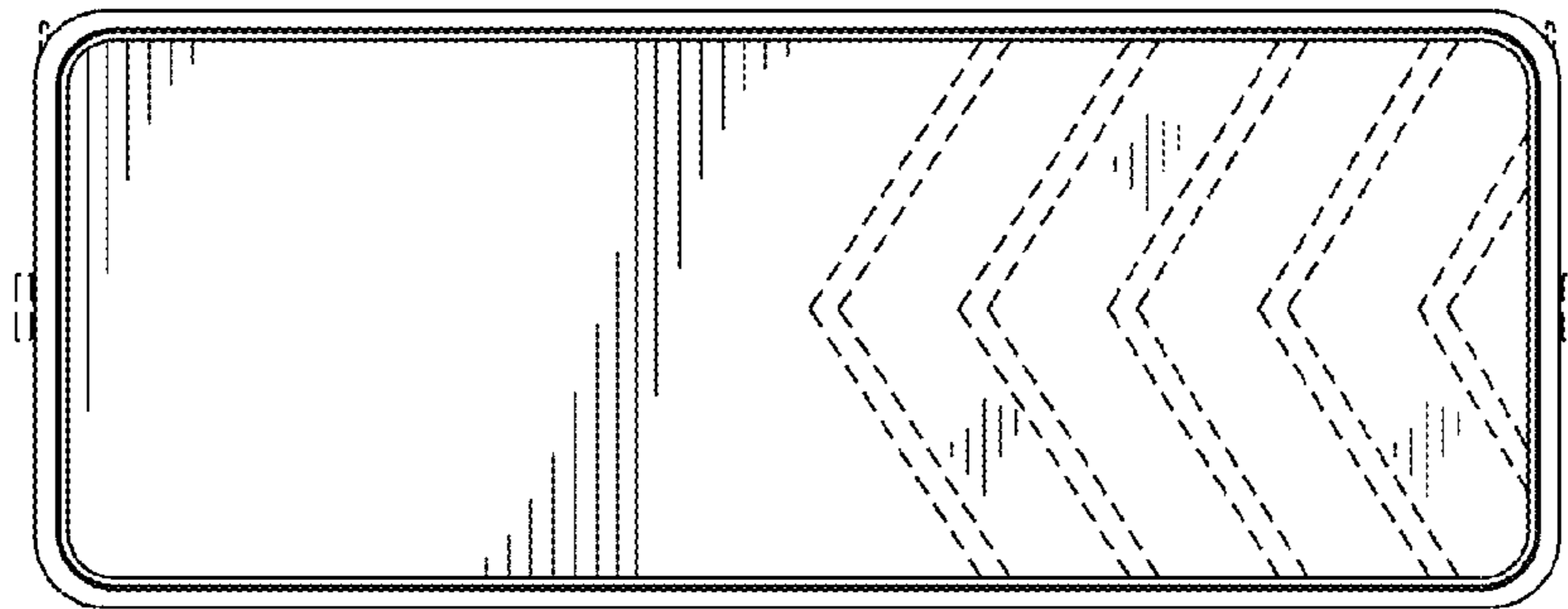


FIG. 3

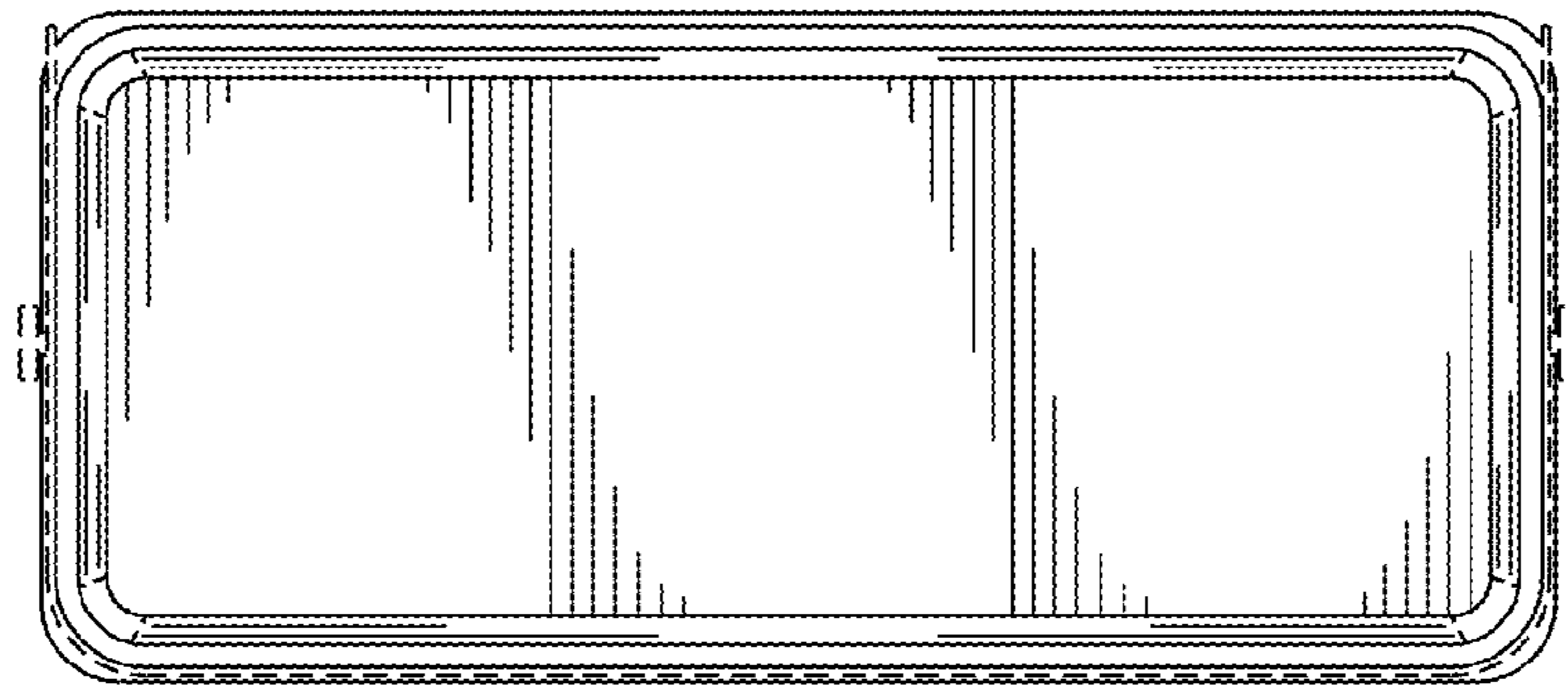


FIG. 4

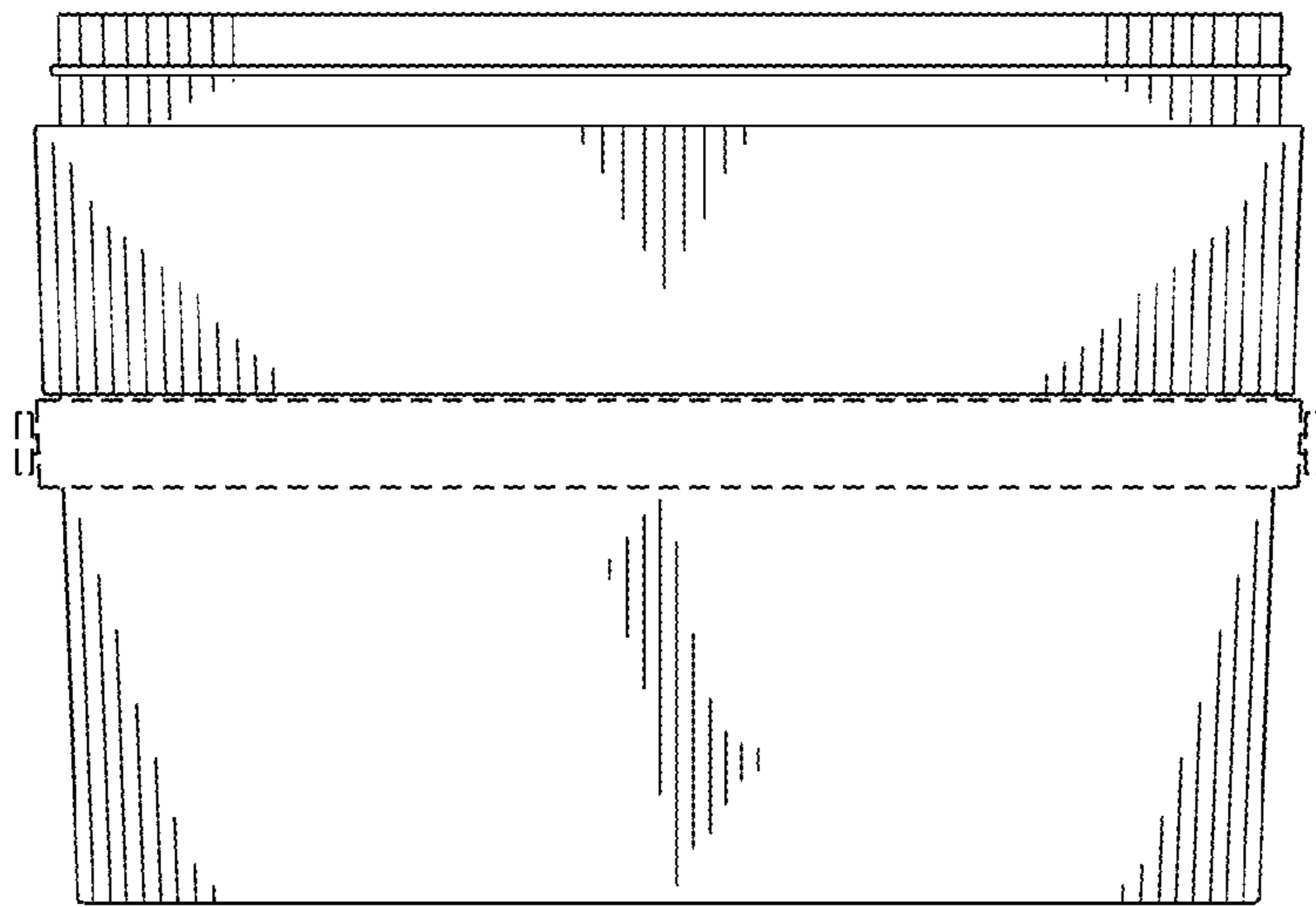


FIG. 5

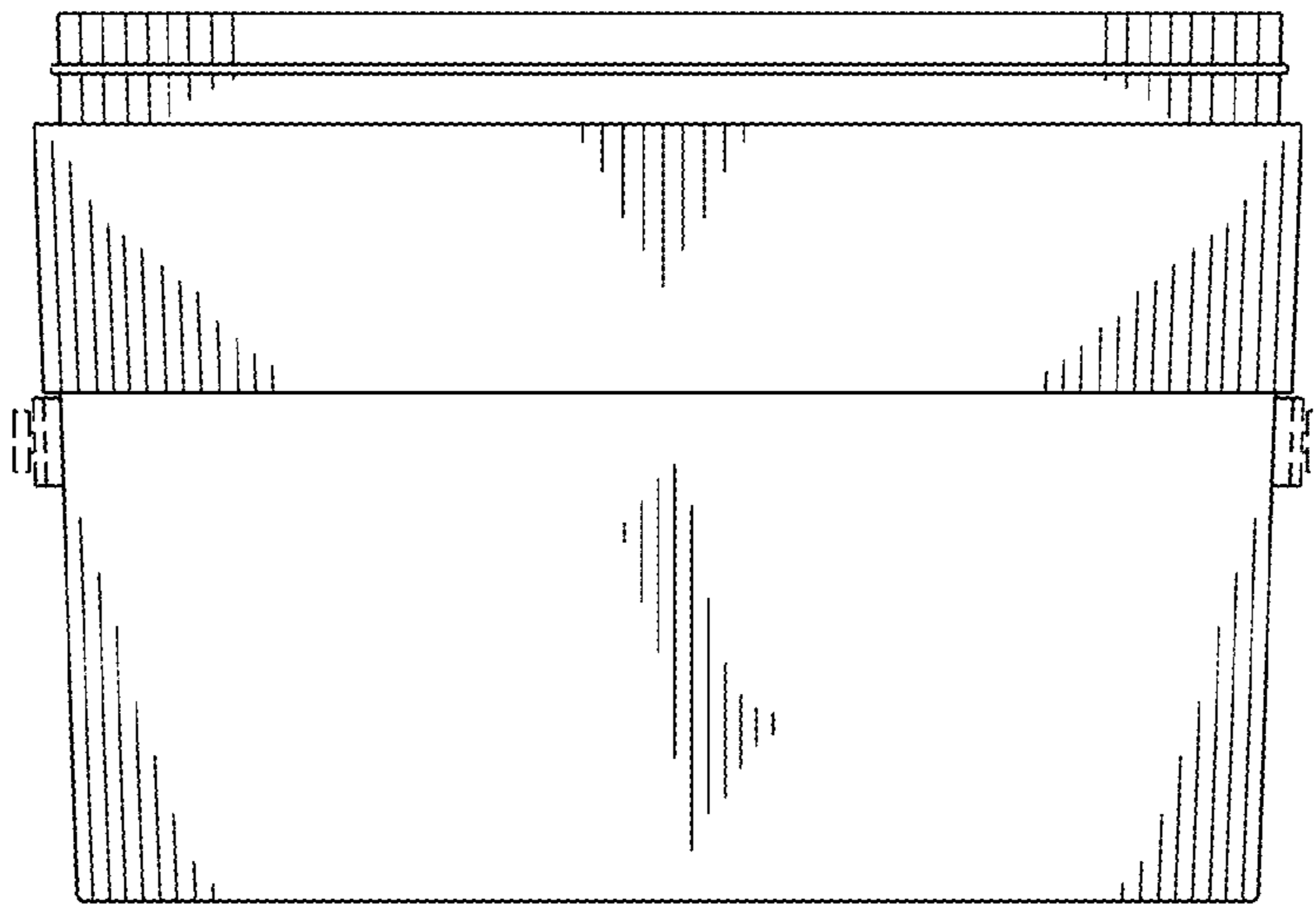


FIG. 6

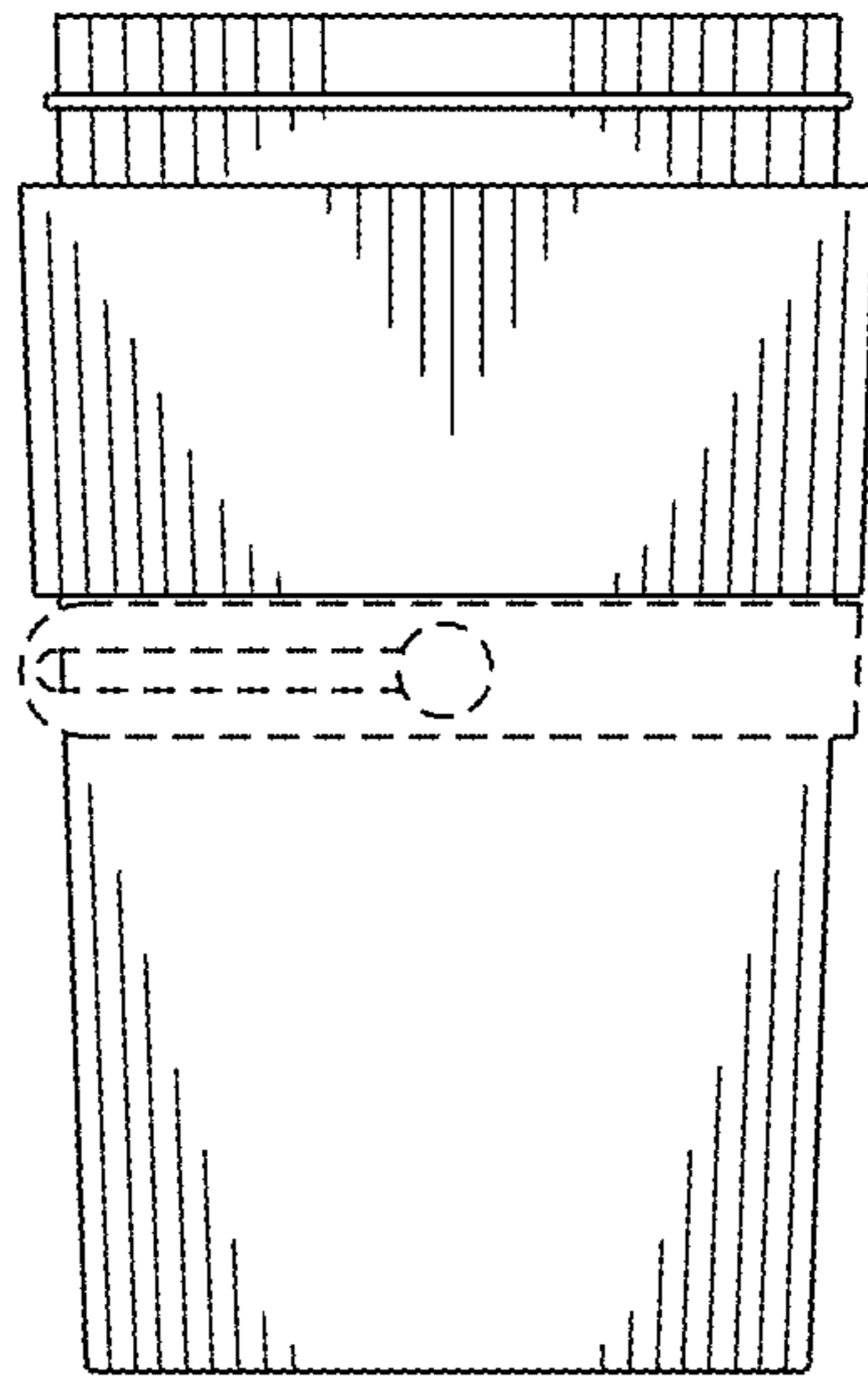


FIG. 7



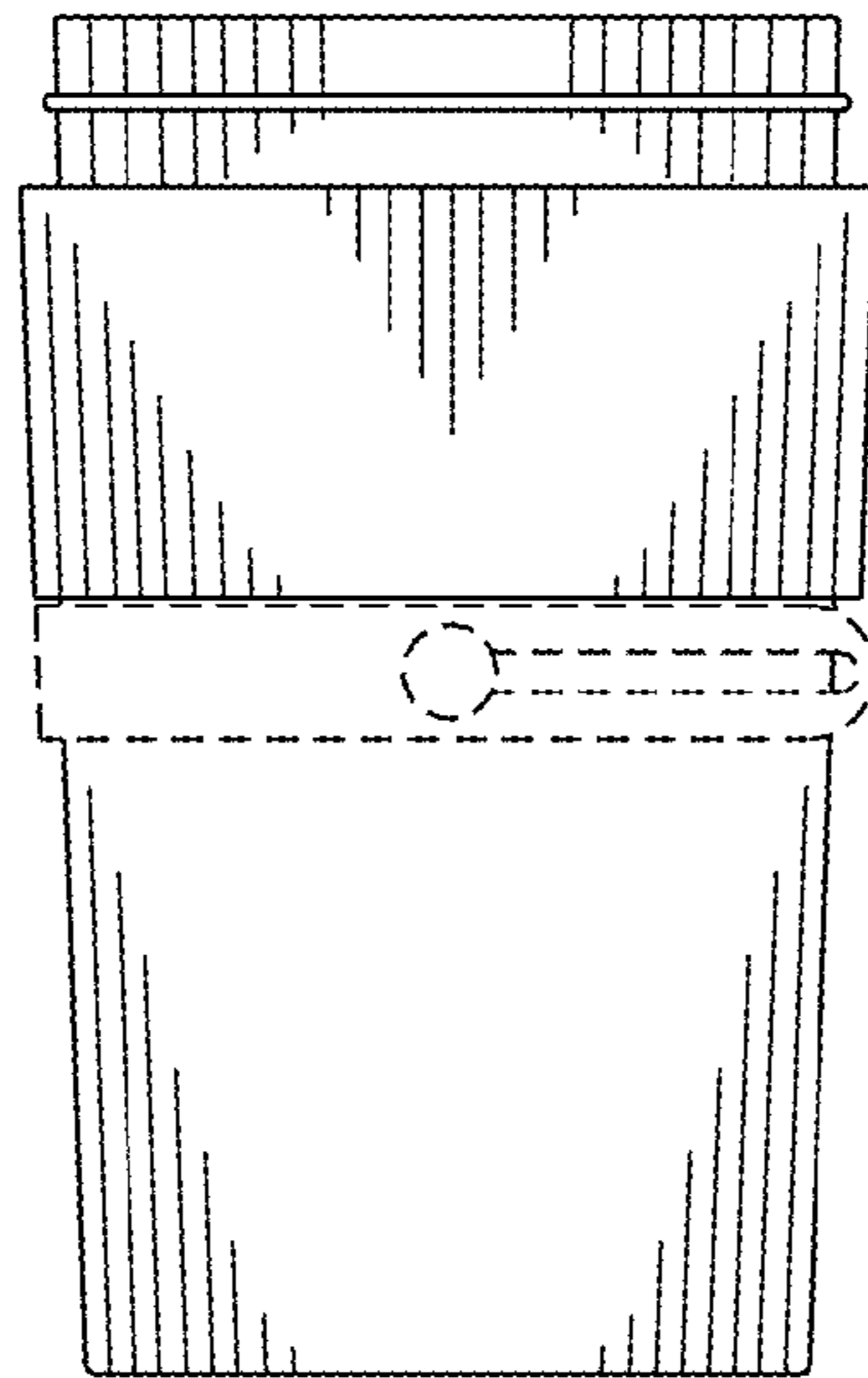


FIG. 8