



US00D745759S

(12) **United States Design Patent**
Kent et al.

(10) **Patent No.:** **US D745,759 S**
(45) **Date of Patent:** **** Dec. 15, 2015**

(54) **CLEANING MACHINE**

5,058,229 A * 10/1991 Plazanet 15/49.1
5,275,183 A * 1/1994 Landry 132/271
5,588,176 A * 12/1996 Sixsmith 15/322

(71) Applicant: **Kent Research Corporation**, Ash Flat,
AR (US)

(Continued)

(72) Inventors: **Steven Rodger Kent**, Ash Flat, AR
(US); **Willie Dee Kent**, Oro Valley, AZ
(US)

FOREIGN PATENT DOCUMENTS

CN 301029041 * 9/2009
JP 05-300855 A 11/1993

(73) Assignee: **KENT RESEARCH CORPORATION**,
Ash Flat, AR (US)

(Continued)

(**) Term: **14 Years**

OTHER PUBLICATIONS

(21) Appl. No.: **29/462,125**

Cylindrical Roller Brush for Cleaning Aluminum, Announced Feb. 1,
2001, [Site Visited Jul. 21, 2015] [http://www.directindustry.com/
prod/yilmaz-firca-san-as/product-65539-813127.html](http://www.directindustry.com/prod/yilmaz-firca-san-as/product-65539-813127.html).*

(22) Filed: **Jul. 31, 2013**

(Continued)

Related U.S. Application Data

Primary Examiner — Eric Goodman

Assistant Examiner — Luqman McNeil

(62) Division of application No. 29/410,856, filed on Jan.
12, 2012, now Pat. No. Des. 690,063.

(74) *Attorney, Agent, or Firm* — Stoel Rives LLP

(51) **LOC (10) Cl.** **15-05**

(57) **CLAIM**

An ornamental design for a cleaning machine, as shown and
described.

(52) **U.S. Cl.**

USPC **D32/25**

DESCRIPTION

(58) **Field of Classification Search**

USPC D32/25, 19, 32, 31, 40, 22, 50; 15/23,
15/49.1, 322, 24, 97.1; 132/271, 238, 31;
134/6

CPC .. A61C 17/26; A47L 1/4069; A47L 11/4044;
A47L 11/4069; A46B 13/06; A45D 20/50;
A45D 6/04; B08B 1/04

See application file for complete search history.

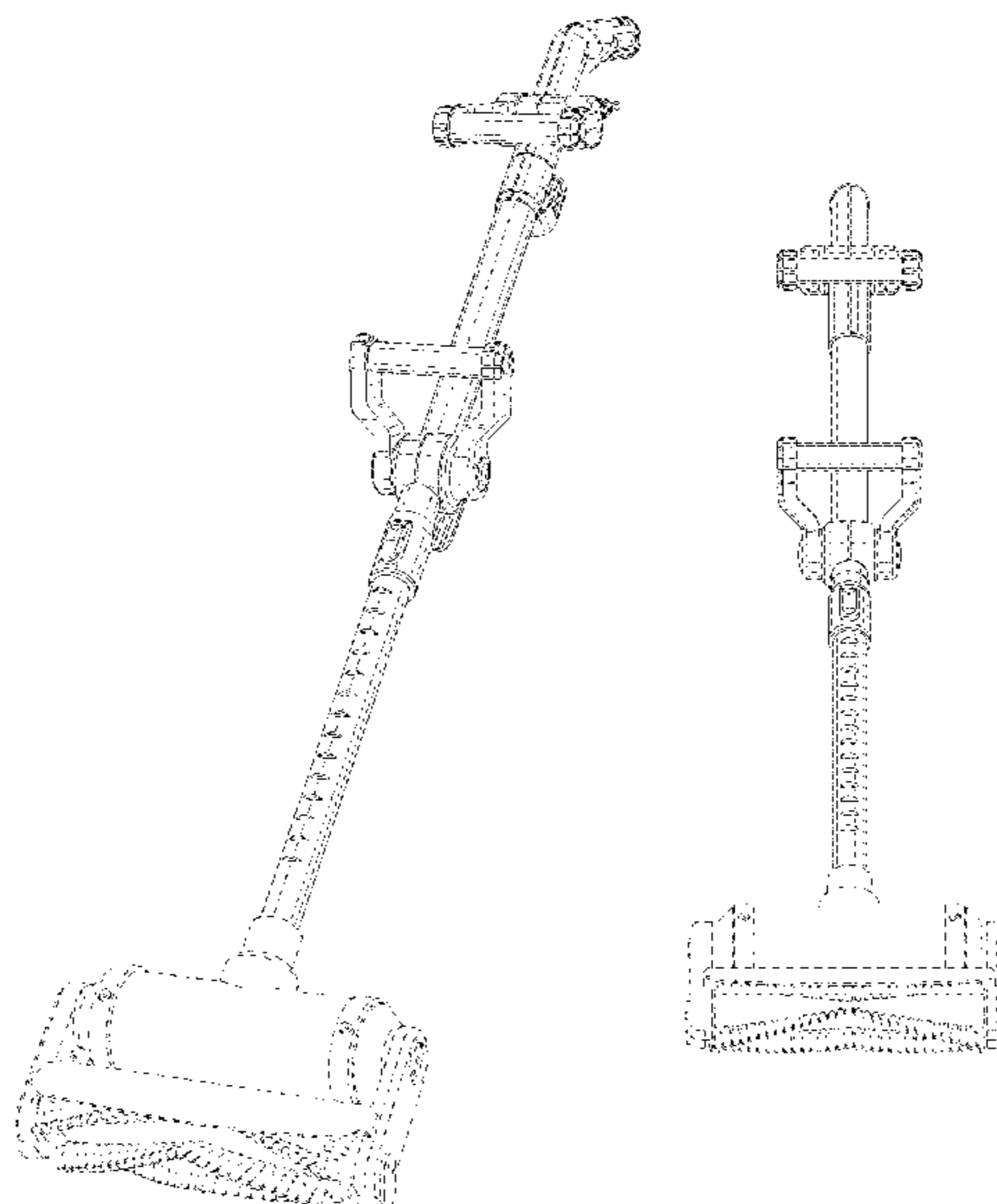
FIG. 1 is an isometric view of a handle portion of a cleaning
machine;
FIG. 2 is a front elevation view thereof;
FIG. 3 is a back elevation view thereof;
FIG. 4 is a left elevation view thereof;
FIG. 5 is a right elevation view thereof;
FIG. 6 is a top plan view thereof;
FIG. 7 is a bottom plan view thereof; and,
FIG. 8 is another isometric view of the handle portion of the
cleaning machine of FIGS. 1-7 in a collapsed position.
The broken line showing is included for the purpose of illus-
trating portions of the cleaning machine and forms no part of
the claimed design.

(56) **References Cited**

U.S. PATENT DOCUMENTS

D166,572 S * 4/1952 Pond D32/19
3,431,571 A * 3/1969 Kraus 15/23
D317,667 S * 6/1991 Bolser et al. D32/19

1 Claim, 6 Drawing Sheets



(56)

References Cited

U.S. PATENT DOCUMENTS

D392,778 S * 3/1998 McCracken D32/19
 5,797,157 A * 8/1998 Gregg 15/49.1
 D411,669 S * 6/1999 Wareham D32/32
 6,098,635 A * 8/2000 Marino 132/238
 D473,687 S * 4/2003 Kaffenberger D32/33
 D478,698 S * 8/2003 Mertes et al. D32/31
 D498,027 S * 11/2004 Alsrub et al. D32/19
 D499,850 S * 12/2004 Leyden D32/32
 D507,387 S * 7/2005 Jacobs D32/22
 D518,258 S * 3/2006 Hamm et al. D32/31
 D566,351 S * 4/2008 Crevling et al. D32/25
 7,703,165 B2 * 4/2010 Wilkins 15/23
 D622,920 S * 8/2010 Bejtlich, III D32/40
 8,060,967 B1 * 11/2011 Johnson, Jr. 15/23
 D653,825 S * 2/2012 Cho et al. D32/22
 D658,837 S * 5/2012 Ediger et al. D32/50
 2002/0121289 A1 * 9/2002 Brown et al. 134/6
 2005/0109371 A1 * 5/2005 Sin et al. 134/6
 2008/0148512 A1 6/2008 Beskow et al.

2009/0217470 A1* 9/2009 Wilkins 15/24
 2009/0265876 A1* 10/2009 Gardner et al. 15/322
 2012/0167317 A1* 7/2012 Garcia 15/97.1

FOREIGN PATENT DOCUMENTS

JP D1302157 * 5/2007
 KR 20-0331795 Y1 11/2003
 KR 10-2006-0009982 A 2/2006
 KR 10-2011-0125942 A 11/2011

OTHER PUBLICATIONS

Mr. Clean: Case of Mr. Clean Magic Eraser Roller Mop, Announced
 Jun. 26, 2009, [Site Visited Jul. 23, 2015] <http://www.bhg.com/shop/mr-clean-mr-clean-446840-magic-eraser-roller-mop-pa84e9b31b4e0844709300f20b4c979df.html>.
 International Search Report and Written Opinion of the International
 Searching Authority, International Application No. PCT/US2013/
 021302, mailed Jul. 16, 2013.

* cited by examiner

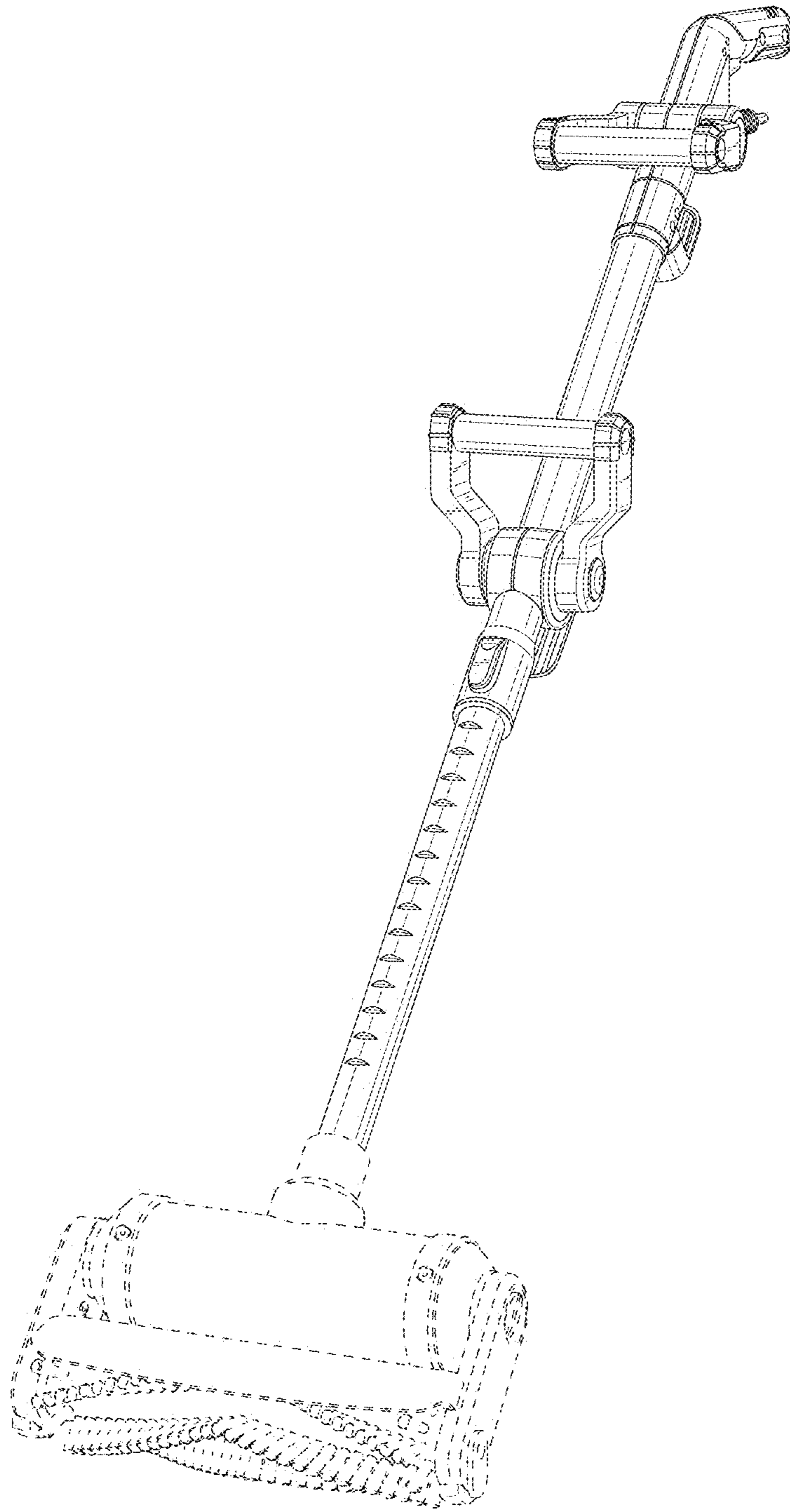


FIG. 1

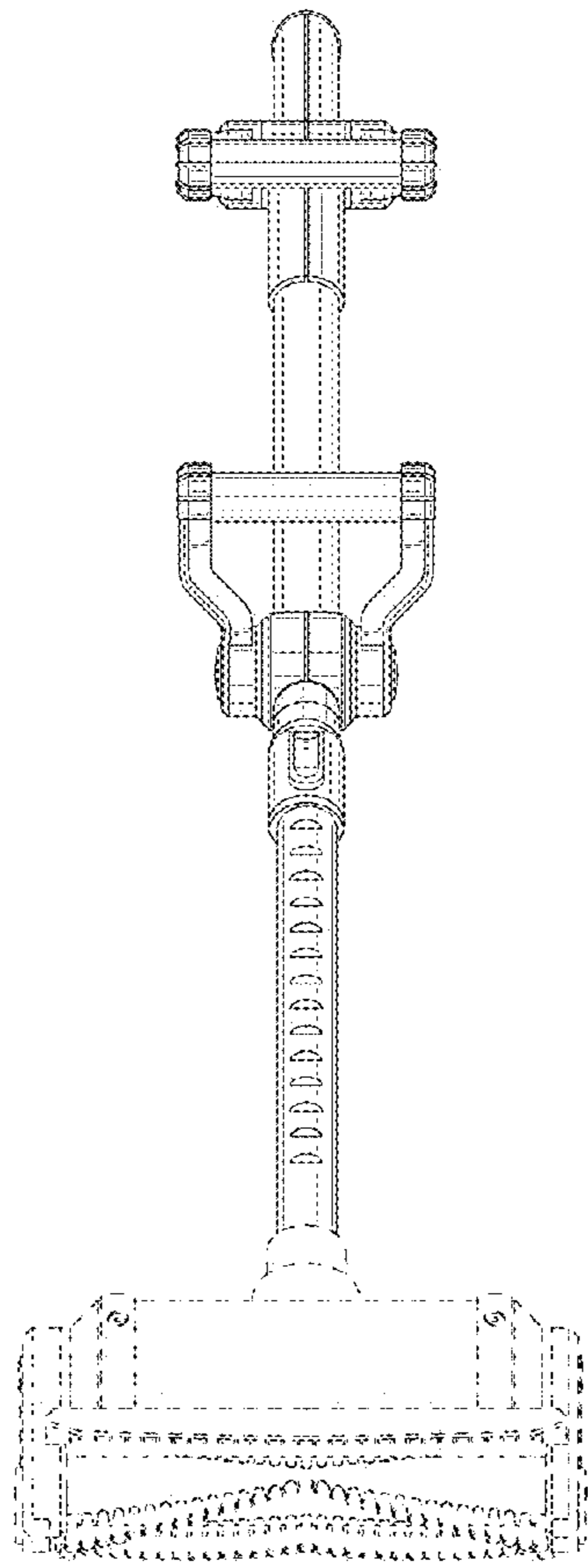


FIG. 2

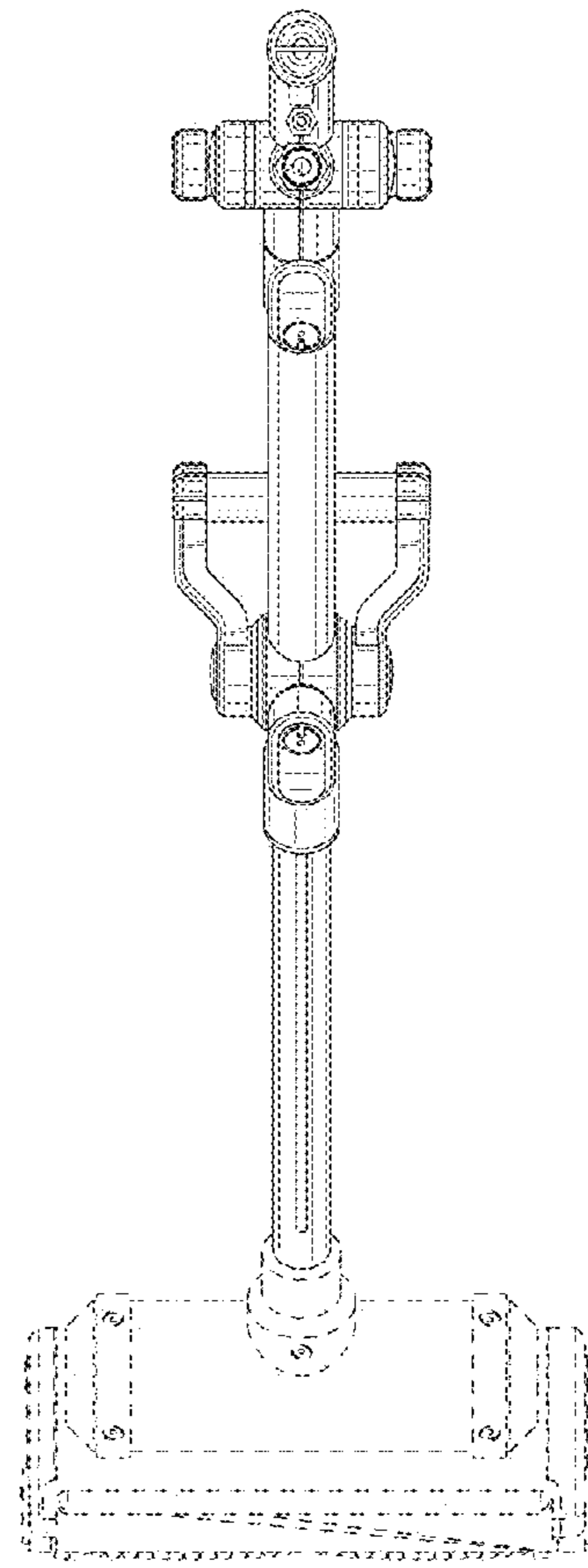


FIG. 3

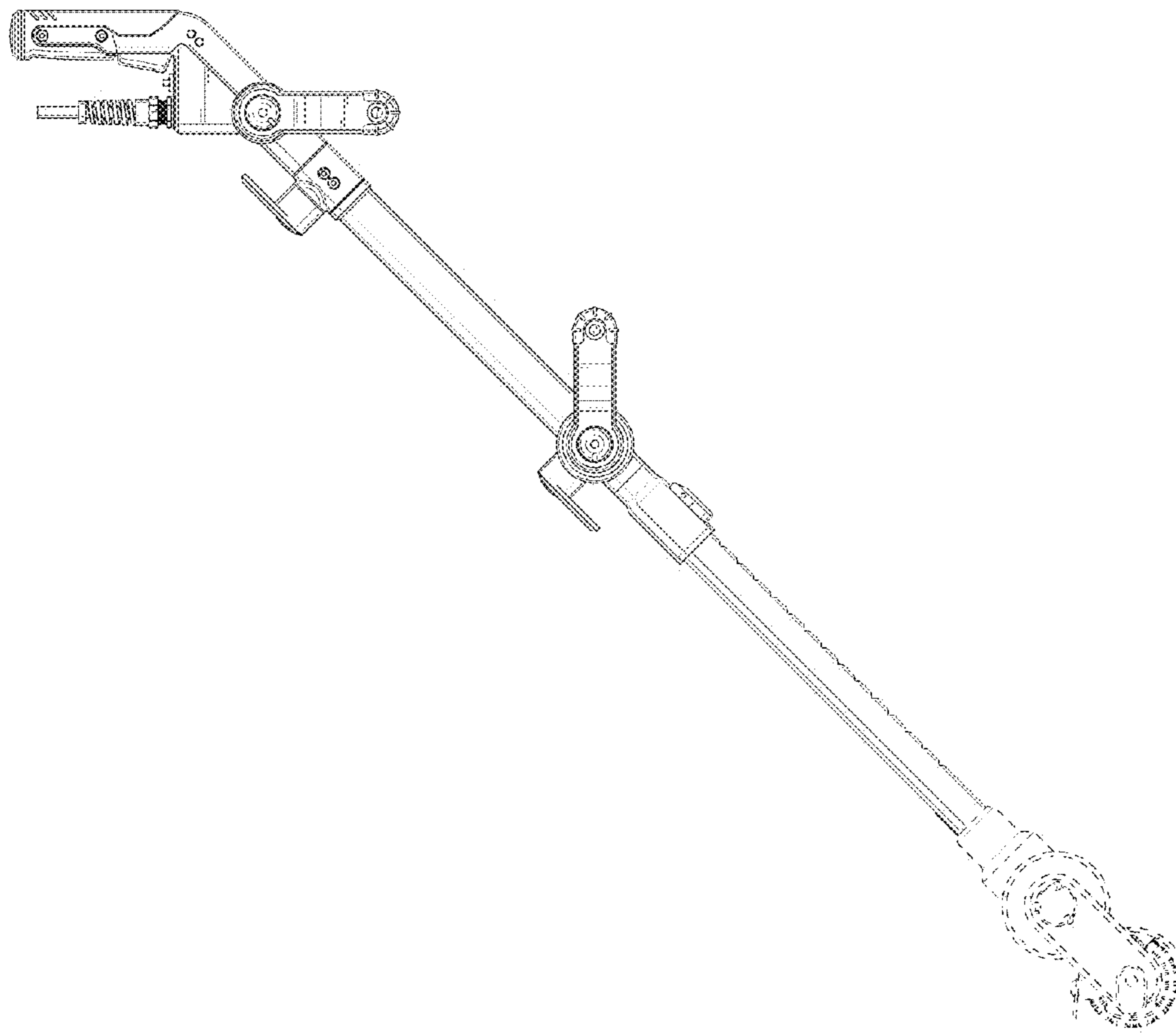


FIG. 4

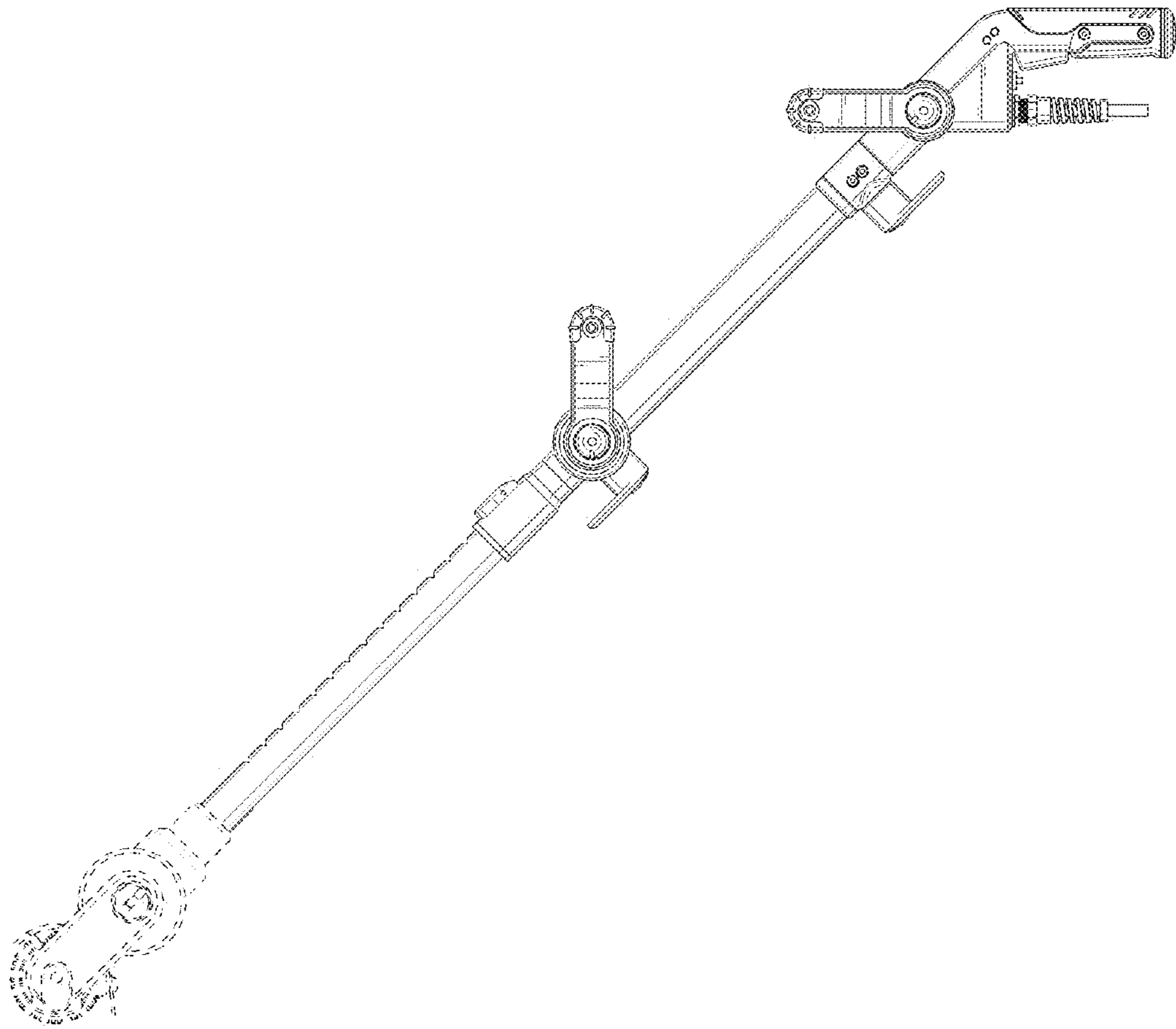


FIG. 5

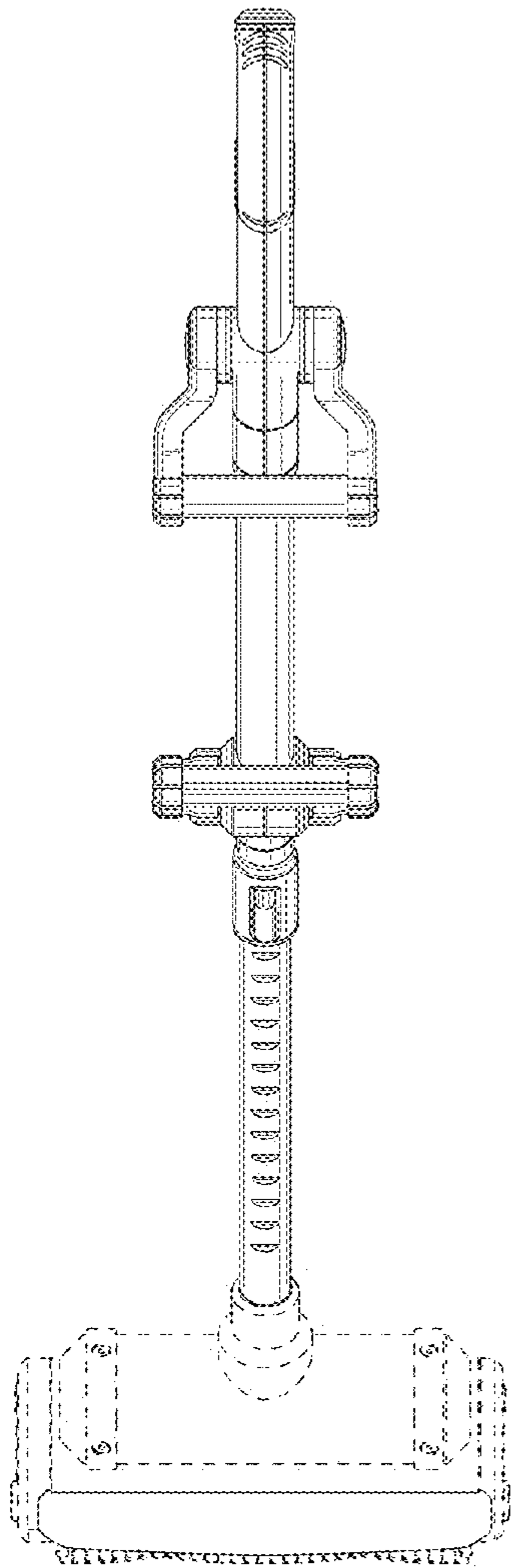


FIG. 6

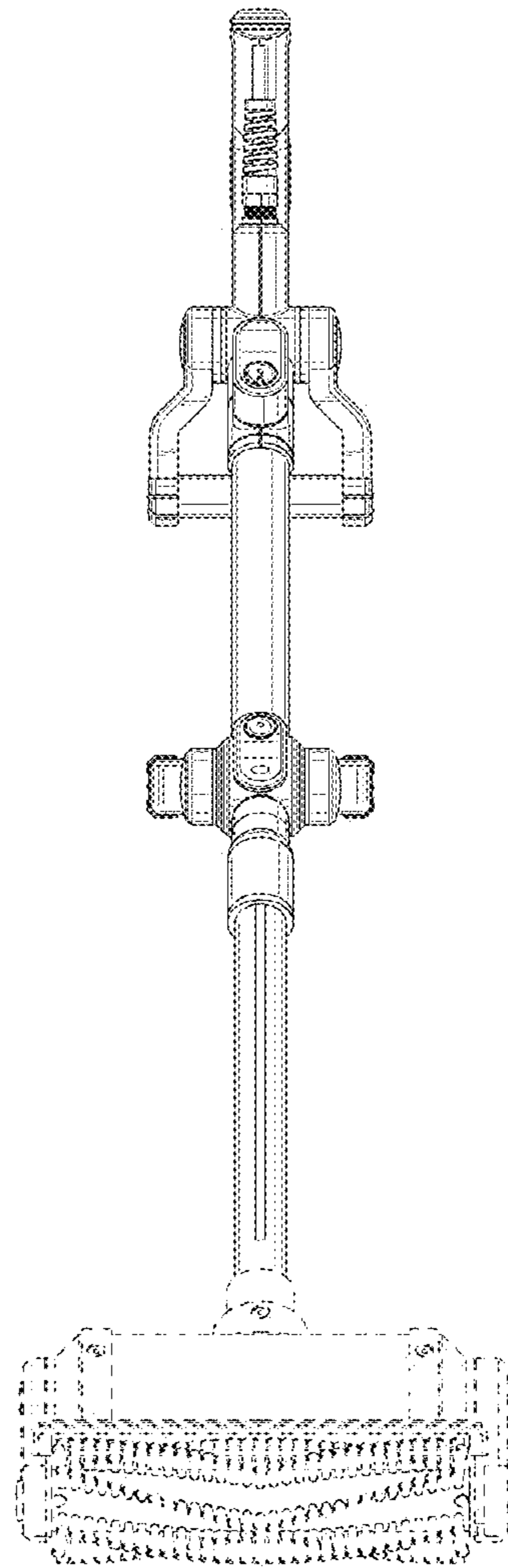


FIG. 7

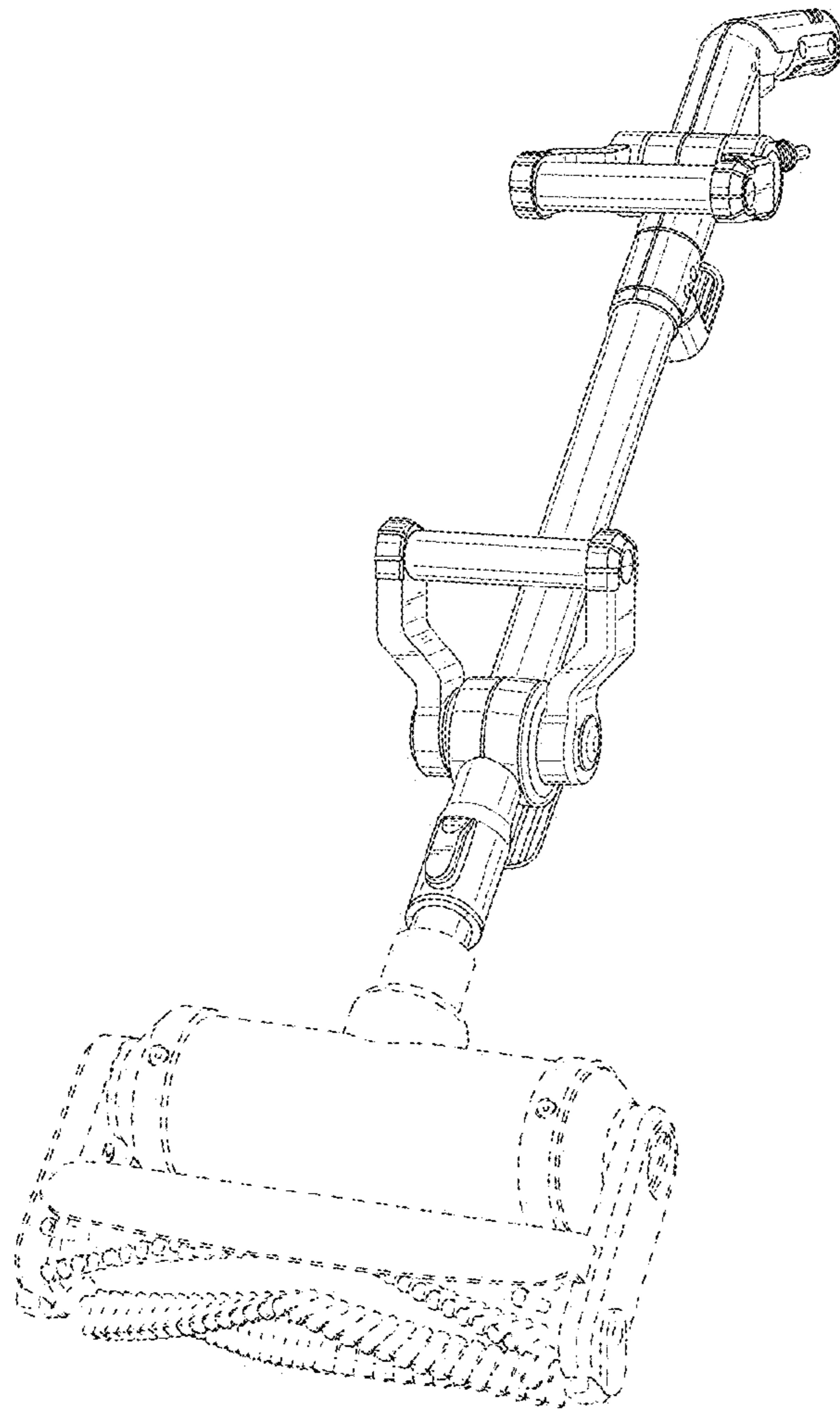


FIG. 8