



US00D745758S

(12) **United States Design Patent**
Carter et al.

(10) **Patent No.:** **US D745,758 S**

(45) **Date of Patent:** **** Dec. 15, 2015**

(54) **VACUUM CLEANER**

(56) **References Cited**

(71) Applicant: **Techtronic Floor Care Technology Limited**, Tortola (VG)

U.S. PATENT DOCUMENTS

(72) Inventors: **Daniel William Carter**, Birmingham (GB); **Ross Kemp**, Nottingham (GB); **James Grant**, West Midlands (GB)

D368,993 S 4/1996 Stutzer et al.
D394,528 S 5/1998 Pochopien et al.
D417,323 S 11/1999 Fujita et al.
D445,226 S * 7/2001 Jupp D32/21
6,484,350 B2 11/2002 Yung
D476,783 S 7/2003 Kondo et al.

(Continued)

(73) Assignee: **Techtronic Floor Care Technology Limited**, Tortola (VG)

FOREIGN PATENT DOCUMENTS

(**) Term: **14 Years**

EP 1087688 9/2002

(21) Appl. No.: **29/506,177**

OTHER PUBLICATIONS

(22) Filed: **Oct. 14, 2014**

Co-pending U.S. Appl. No. 29/484,231, filed Mar. 7, 2014.

(Continued)

Related U.S. Application Data

(63) Continuation of application No. 29/464,863, filed on Aug. 21, 2013, now Pat. No. Des. 718,504.

Primary Examiner — Ruth McInroy

(74) *Attorney, Agent, or Firm* — Michael Best & Friedrich LLP

(30) **Foreign Application Priority Data**

Feb. 21, 2013 (CN) 2013 3 0043007
May 28, 2013 (CN) 2013 3 0213025

(57)

CLAIM

We claim the ornamental design for a vacuum cleaner, as shown and described.

(51) **LOC (10) Cl.** **15-05**

(52) **U.S. Cl.**

USPC **D32/21**

(58) **Field of Classification Search**

USPC D32/21, 23-24, 31
CPC A47L 5/362; A47L 5/365; A47L 5/28;
A47L 9/26; A47L 11/34; A47L 7/0038;
B65H 75/18

DESCRIPTION

FIG. 1 is a perspective view of a vacuum cleaner embodying the invention;

FIG. 2 is a right side view of the vacuum cleaner of FIG. 1;

FIG. 3 is a left side view of the vacuum cleaner of FIG. 1;

FIG. 4 is a front view of the vacuum cleaner of FIG. 1;

FIG. 5 is a rear view of the vacuum cleaner of FIG. 1;

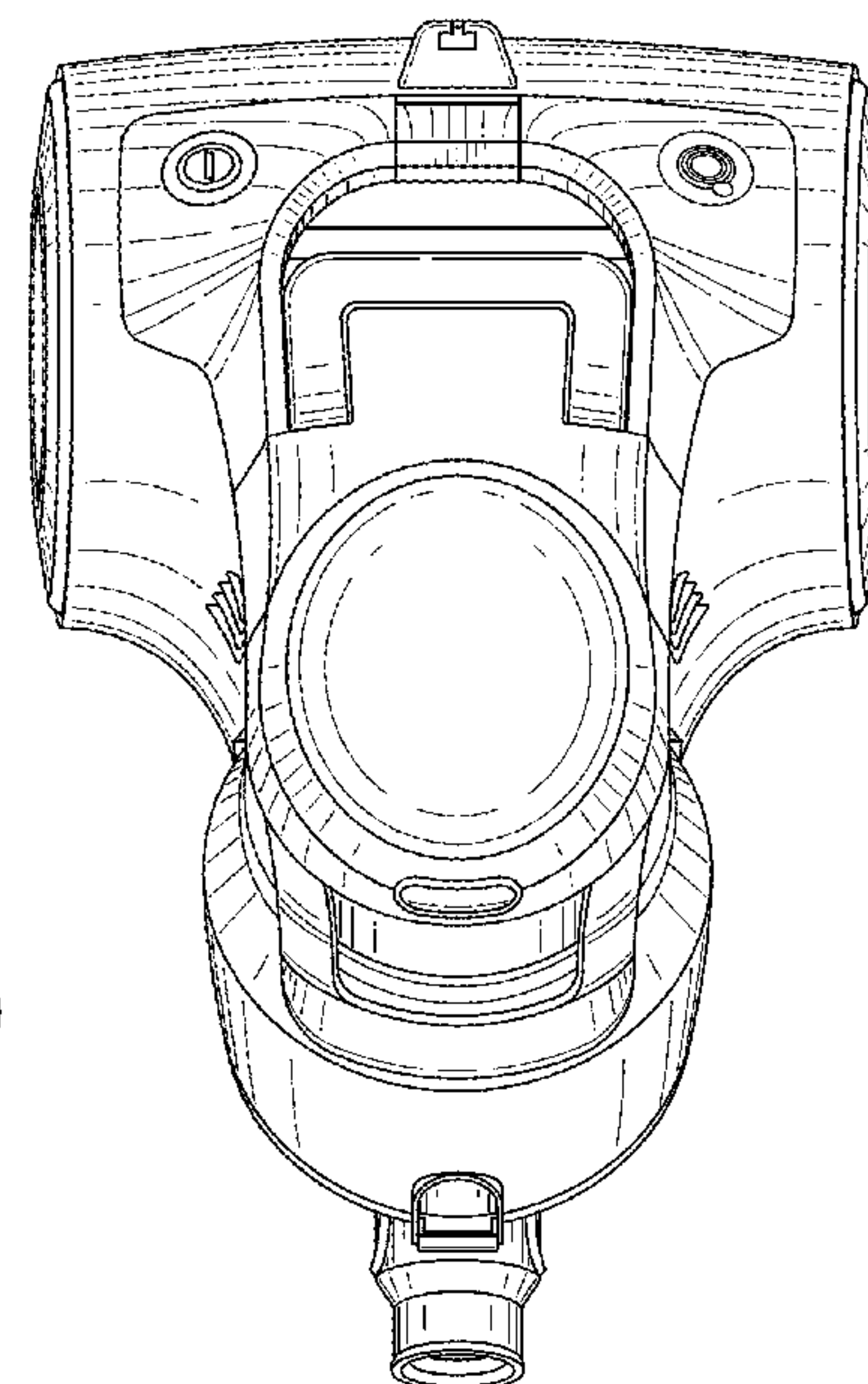
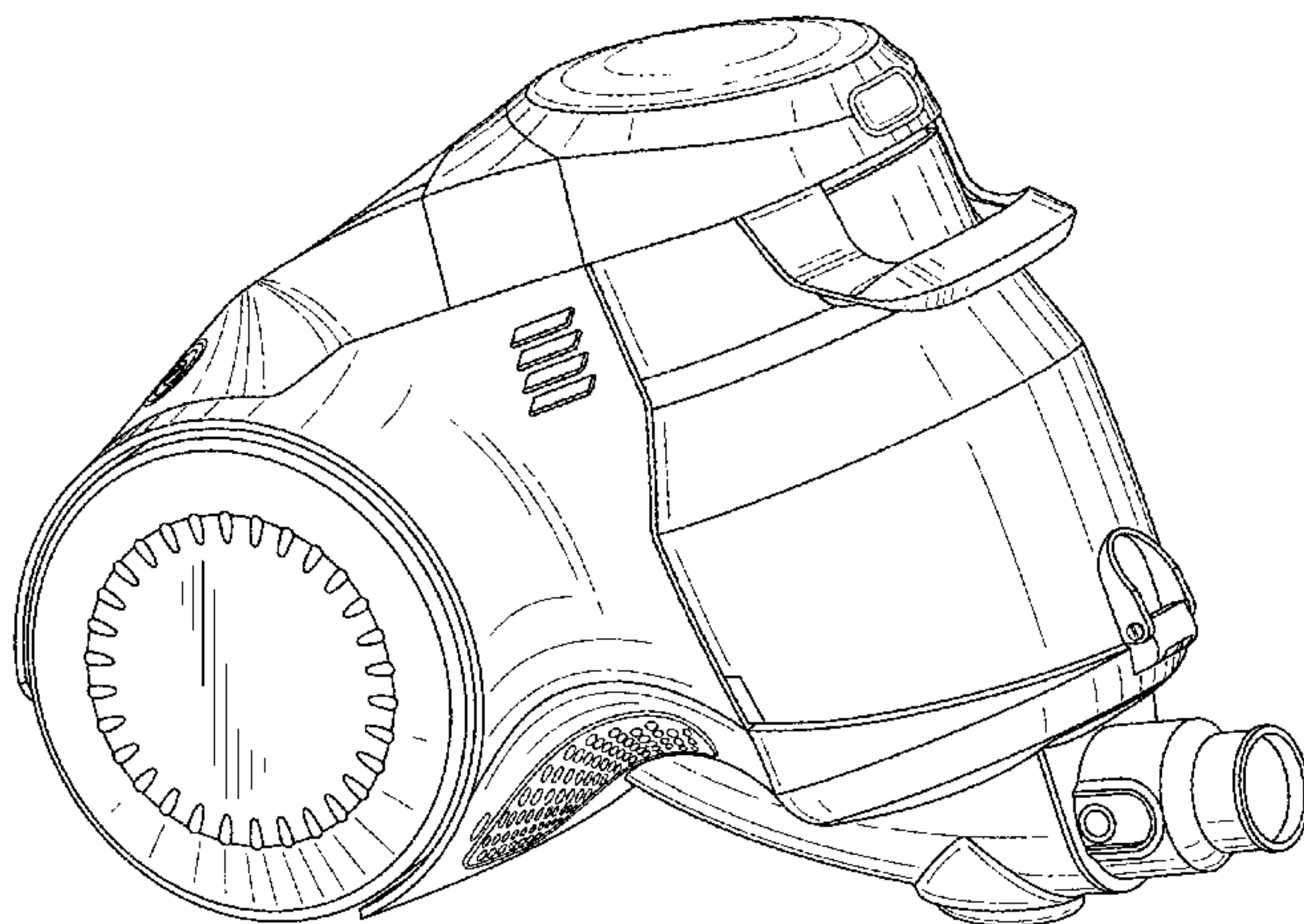
FIG. 6 is a top view of the vacuum cleaner of FIG. 1; and,

FIG. 7 is a bottom view of the vacuum cleaner of FIG. 1.

The elements shown in broken lines are included for the purpose of illustrating environment and form no part of the claimed design.

See application file for complete search history.

1 Claim, 7 Drawing Sheets



(56)

References Cited

U.S. PATENT DOCUMENTS

D493,586 S 7/2004 Choi
 7,000,288 B2 2/2006 Nighy
 D518,611 S 4/2006 Hare
 D534,696 S 1/2007 Choi
 D550,908 S 9/2007 Shin
 D550,909 S 9/2007 Shin
 D550,910 S 9/2007 Shin
 D552,310 S 10/2007 Shin
 D552,810 S 10/2007 Shin
 D552,811 S 10/2007 Sshin
 D553,311 S 10/2007 Shin
 D556,400 S 11/2007 Houghton
 D559,482 S 1/2008 Jansson et al.
 7,380,308 B2 6/2008 Oh et al.
 D594,162 S 6/2009 Knox et al.
 D600,415 S 9/2009 Svantesson
 D617,963 S 6/2010 Ayers
 D626,709 S 11/2010 Fjellman
 D646,030 S 9/2011 Carr et al.
 D646,031 S 9/2011 Carr et al.
 D646,855 S 10/2011 Kim et al.
 D653,823 S 2/2012 Kim et al.
 D657,508 S 4/2012 Dyson et al.
 D657,921 S 4/2012 Lee
 D664,316 S 7/2012 Kim
 D680,283 S 4/2013 Renault
 D682,494 S 5/2013 Kim et al.

D702,901 S 4/2014 Fjellman
 D707,407 S 6/2014 Okabe et al.
 D709,253 S * 7/2014 Lim et al. D32/21
 D713,611 S * 9/2014 Yun et al. D32/31
 D714,001 S * 9/2014 Yun et al. D32/21
 D714,500 S 9/2014 Irfan et al.
 D718,504 S * 11/2014 Carter et al. D32/21
 D723,754 S * 3/2015 Yun et al. D32/21
 D724,281 S * 3/2015 Irfan et al. D32/21
 D724,799 S * 3/2015 Yun et al. D32/21
 D724,800 S * 3/2015 Irfan et al. D32/21
 D724,801 S * 3/2015 Yoon et al. D32/21
 D725,331 S * 3/2015 Springell et al. D32/21
 D725,333 S * 3/2015 Yun et al. D32/31
 2002/0069476 A1 6/2002 Yung
 2013/0025086 A1 1/2013 Komae et al.
 2015/0121645 A1 * 5/2015 Irfan 15/300.1

OTHER PUBLICATIONS

Co-pending U.S. Appl. No. 29/481,449, filed Feb. 6, 2014.
 Co-pending U.S. Appl. No. 29/481,444, filed Feb. 6, 2014.
 Co-pending U.S. Appl. No. 29/481,445, filed Feb. 6, 2014.
 Co-pending U.S. Appl. No. 29/481,447, filed Feb. 6, 2014.
 Co-pending U.S. Appl. No. 29/471,498, filed Nov. 1, 2013.
 Co-pending U.S. Appl. No. 29/484,232, filed Mar. 7, 2014.
 Co-pending U.S. Appl. No. 29/485,842, filed Mar. 24, 2014.
 Co-pending U.S. Appl. No. 29/485,835, filed Mar. 24, 2014.

* cited by examiner

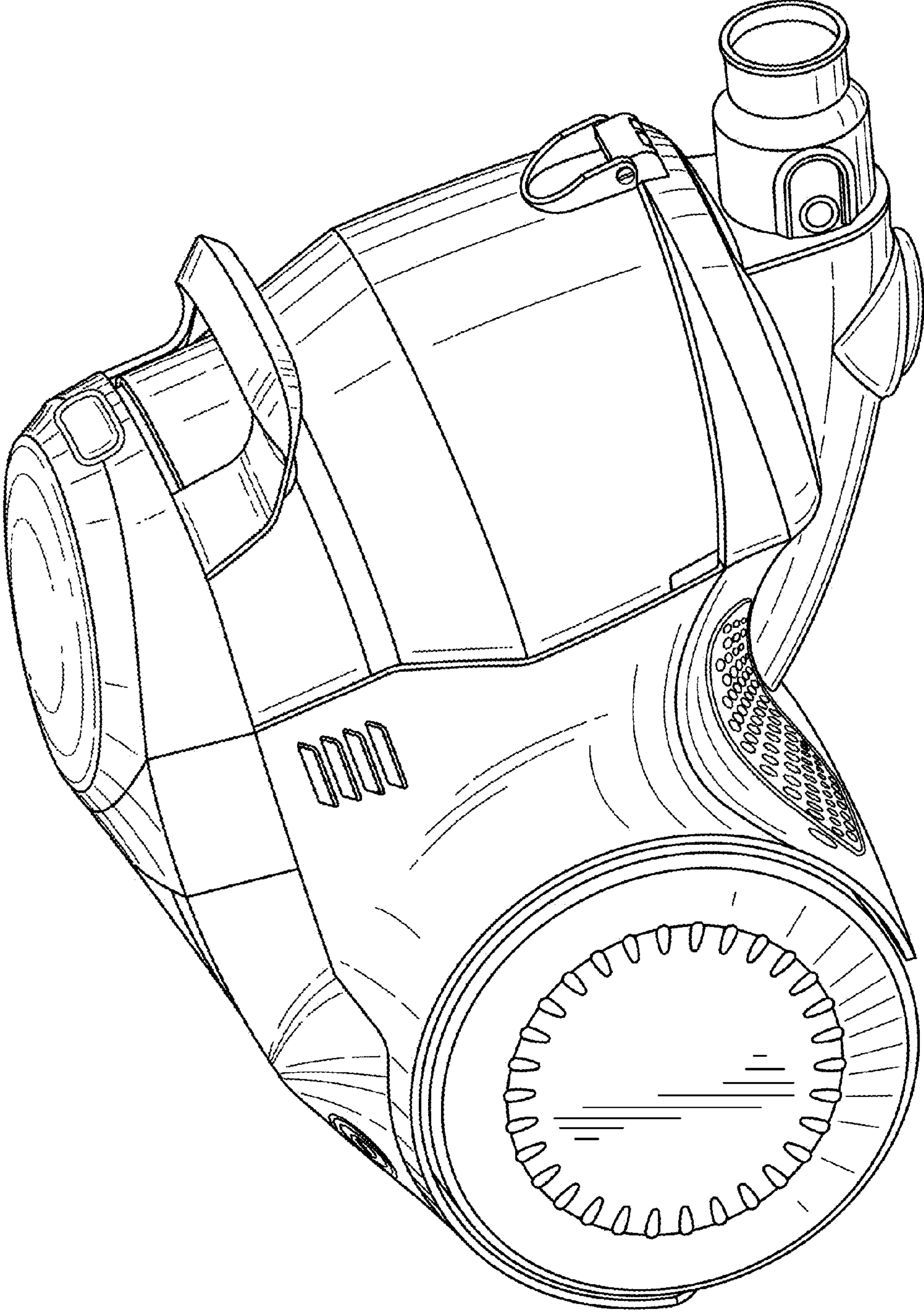


FIG. 1

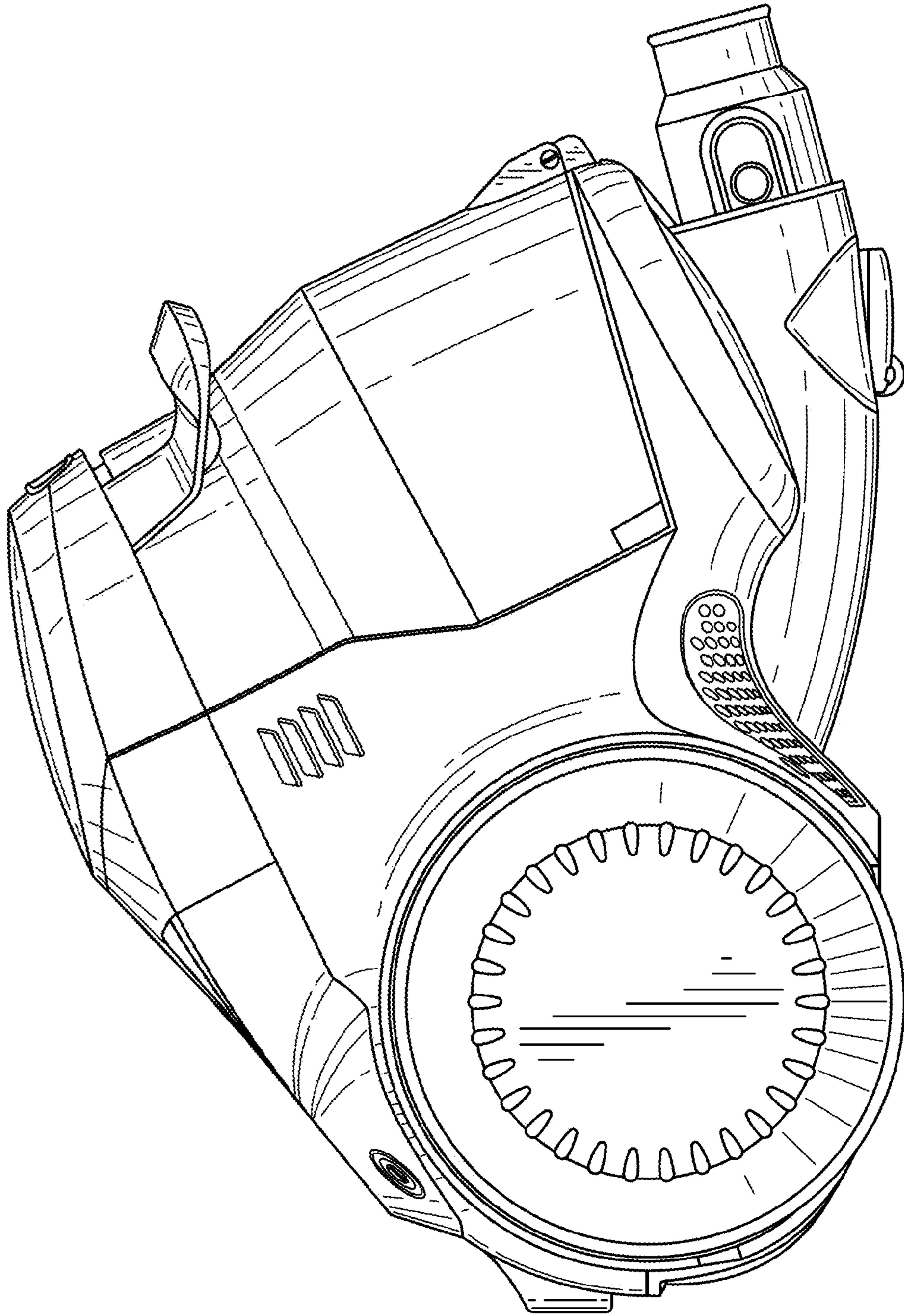


FIG. 2

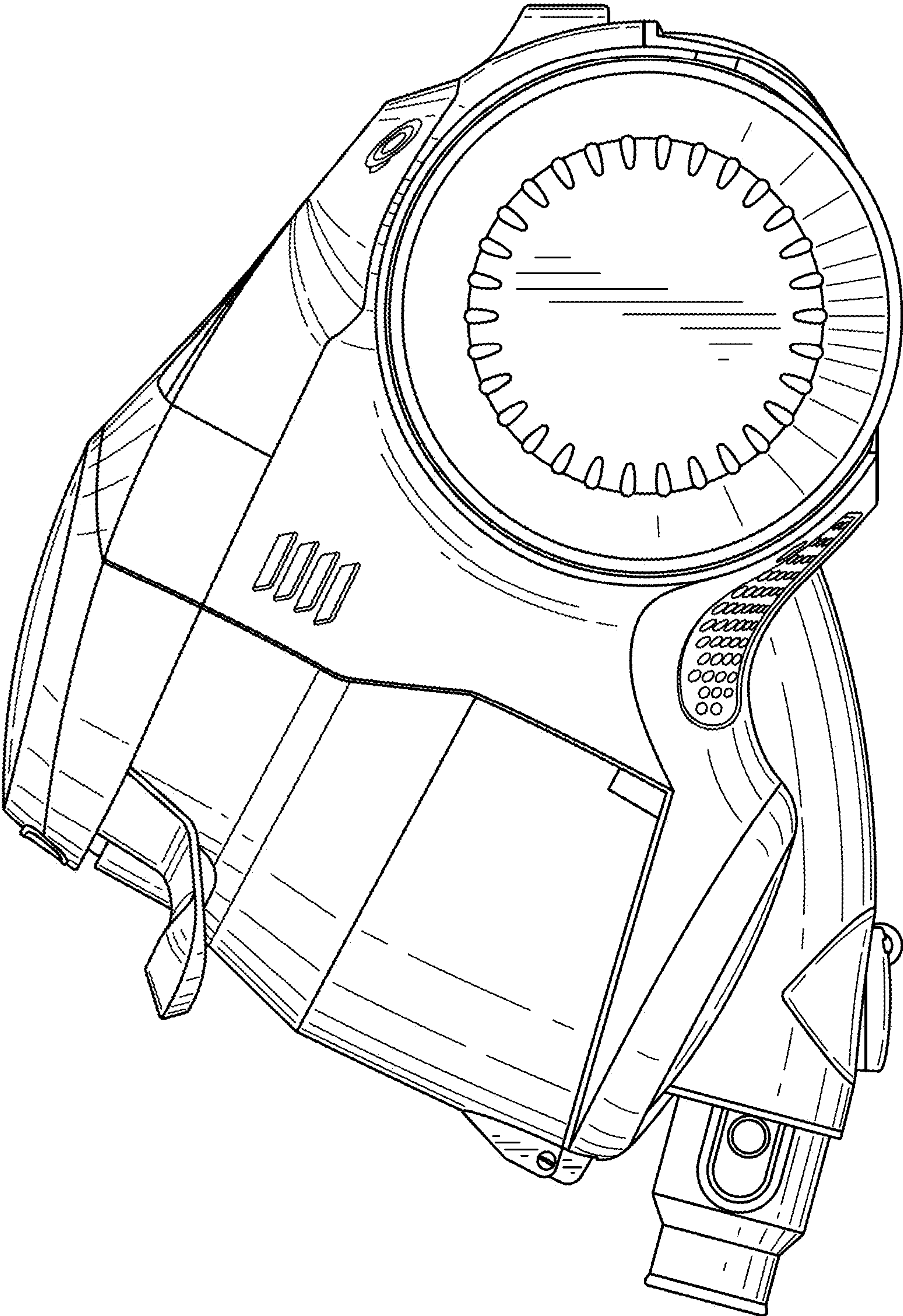


FIG. 3

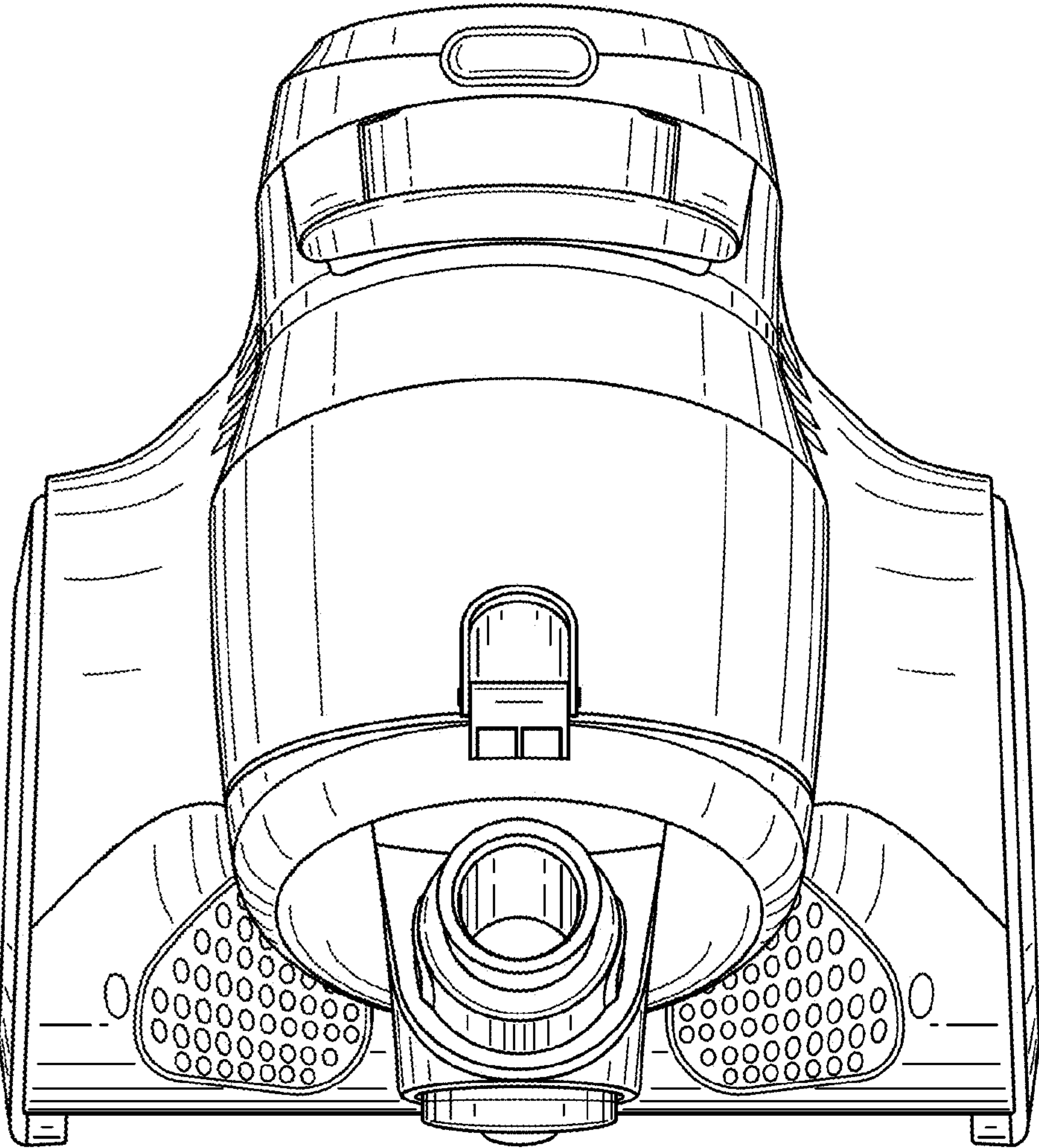


FIG. 4

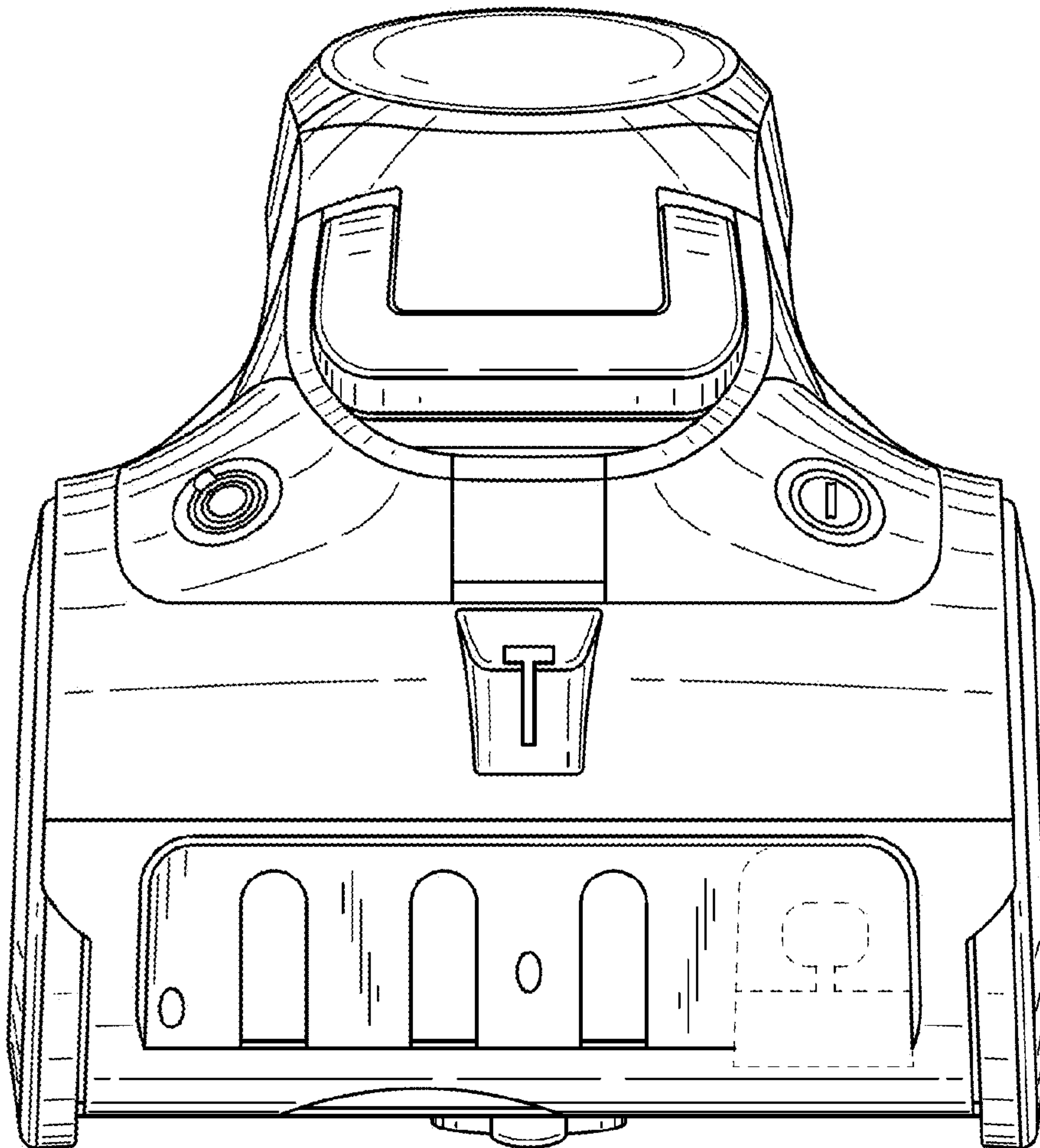


FIG. 5

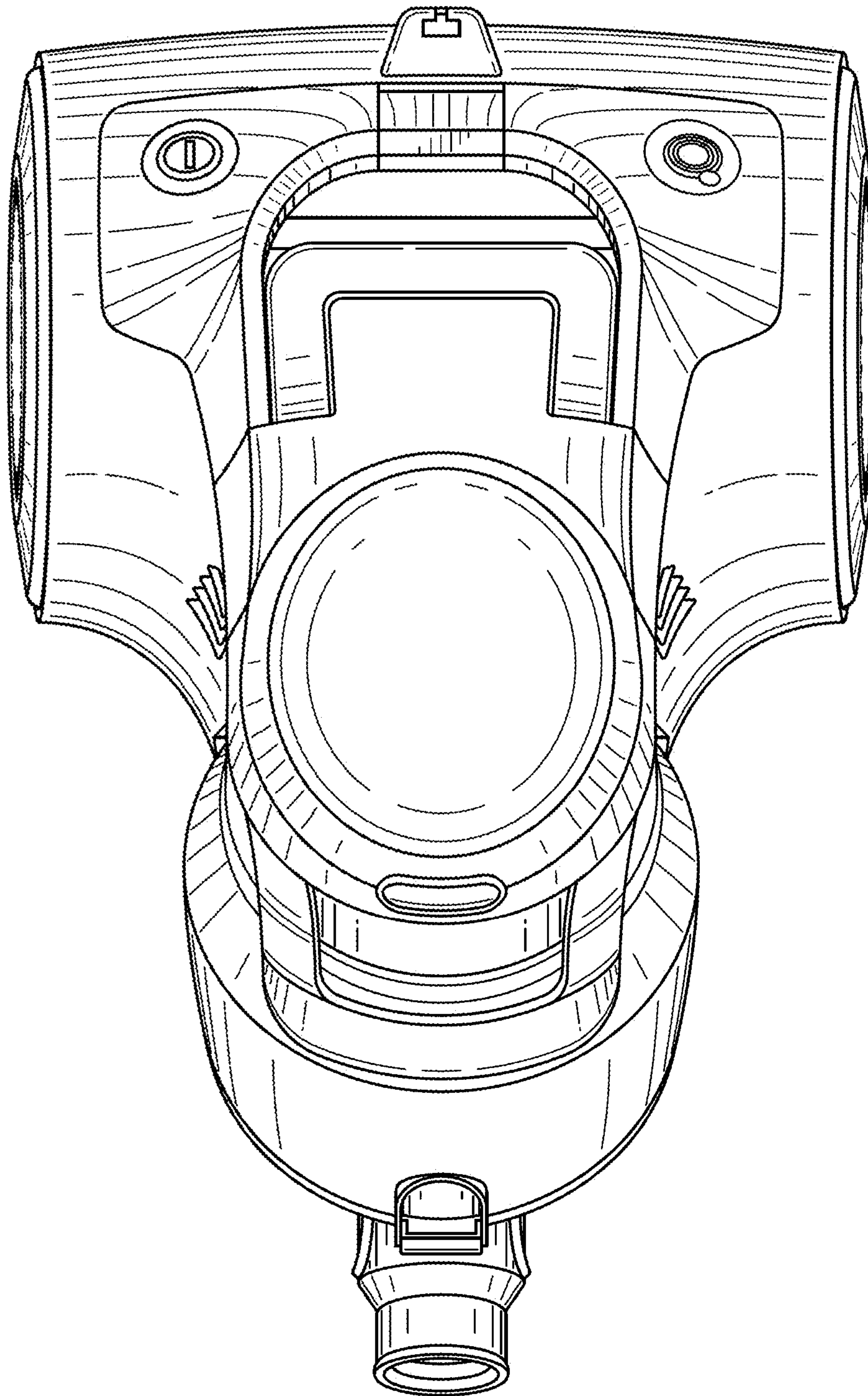


FIG. 6

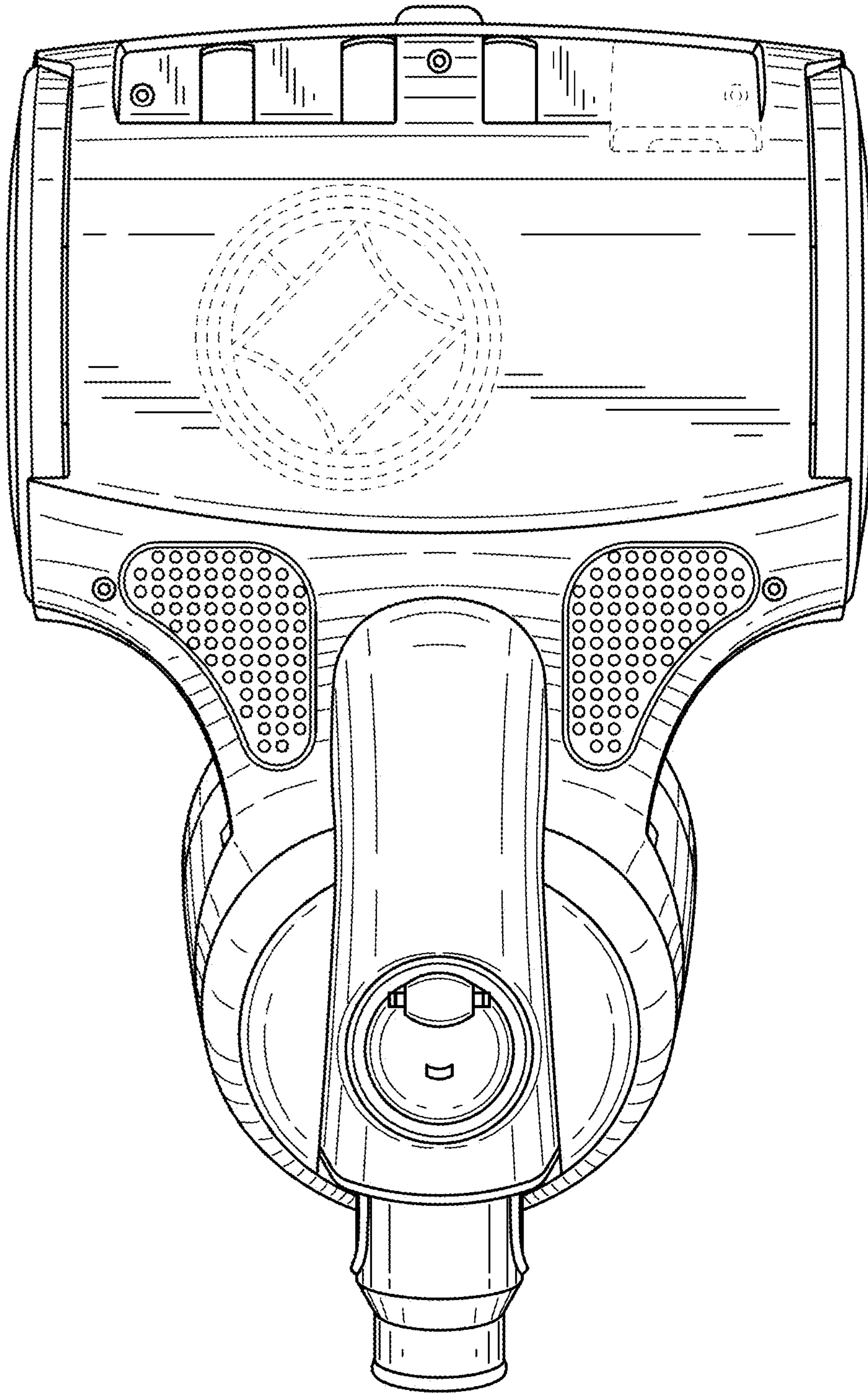


FIG. 7