



US00D745757S

(12) **United States Design Patent**
Choi et al.

(10) **Patent No.:** **US D745,757 S**
(45) **Date of Patent:** **** Dec. 15, 2015**

(54) **ROBOT CLEANER**

(71) Applicant: **Samsung Electronics Co., Ltd.**,
Suwon-si (KR)

(72) Inventors: **Jaewon Choi**, Seoul (KR); **Dongwon Cheon**, Seoul (KR); **Yuna Park**, Seoul (KR); **Kyoungmin Lee**, Seoul (KR)

(73) Assignee: **Samsung Electronics Co., Ltd.**,
Suwon-si (KR)

(**) Term: **14 Years**

(21) Appl. No.: **29/485,518**

(22) Filed: **Mar. 19, 2014**

(30) **Foreign Application Priority Data**

Sep. 26, 2013 (KR) 30-2013-0049120

(51) **LOC (10) Cl.** **15-05**

(52) **U.S. Cl.**
USPC **D32/21**

(58) **Field of Classification Search**
USPC D32/19-21, 25, 31-33; D4/102, 127,
D4/128, 133, 136
CPC A47J 37/0713; A47L 9/2842; A47L
2201/00; A47L 5/30; A47L 5/28; A47L
5/362; A47L 9/04; A46B 13/005; A46B
13/001; A61C 17/26; G06N 3/008; B25J
9/1697; G01S 13/931; B62D 58/032; B62D
57/032; E01H 1/053; E01H 1/02

See application file for complete search history.

(56) **References Cited**

U.S. PATENT DOCUMENTS

6,581,239	B1 *	6/2003	Dyson et al.	15/340.3
D503,251	S *	3/2005	Christianson	D32/21
D548,411	S *	8/2007	Schroter	D32/21
D551,815	S *	9/2007	Schroeter	D32/21
D593,265	S *	5/2009	Carr et al.	D32/21
D658,341	S *	4/2012	Nam et al.	D32/21
D714,003	S *	9/2014	Casini	D32/21
D720,103	S *	12/2014	Haug et al.	D32/21
2004/0204792	A1 *	10/2004	Taylor et al.	700/245
2008/0276407	A1 *	11/2008	Schnittman et al.	15/319
2009/0281661	A1 *	11/2009	Dooley et al.	700/258
2011/0088203	A1 *	4/2011	Song et al.	15/339
2014/0130290	A1 *	5/2014	Jang et al.	15/319
2014/0259475	A1 *	9/2014	Doughty	15/52.1

* cited by examiner

Primary Examiner — Ruth McInroy

(74) *Attorney, Agent, or Firm* — NSIP Law

(57) **CLAIM**

We claim the ornamental design for a robot cleaner, as shown and described.

DESCRIPTION

FIG. 1 is a front perspective view of a robot cleaner showing our new design;
FIG. 2 is a front view thereof;
FIG. 3 is a rear view thereof;
FIG. 4 is a left-side view thereof;
FIG. 5 is a right-side view thereof; and,
FIG. 6 is a top view thereof.
The broken lines in the figure show portions of the robot cleaner which form no part of the claimed design.

1 Claim, 6 Drawing Sheets

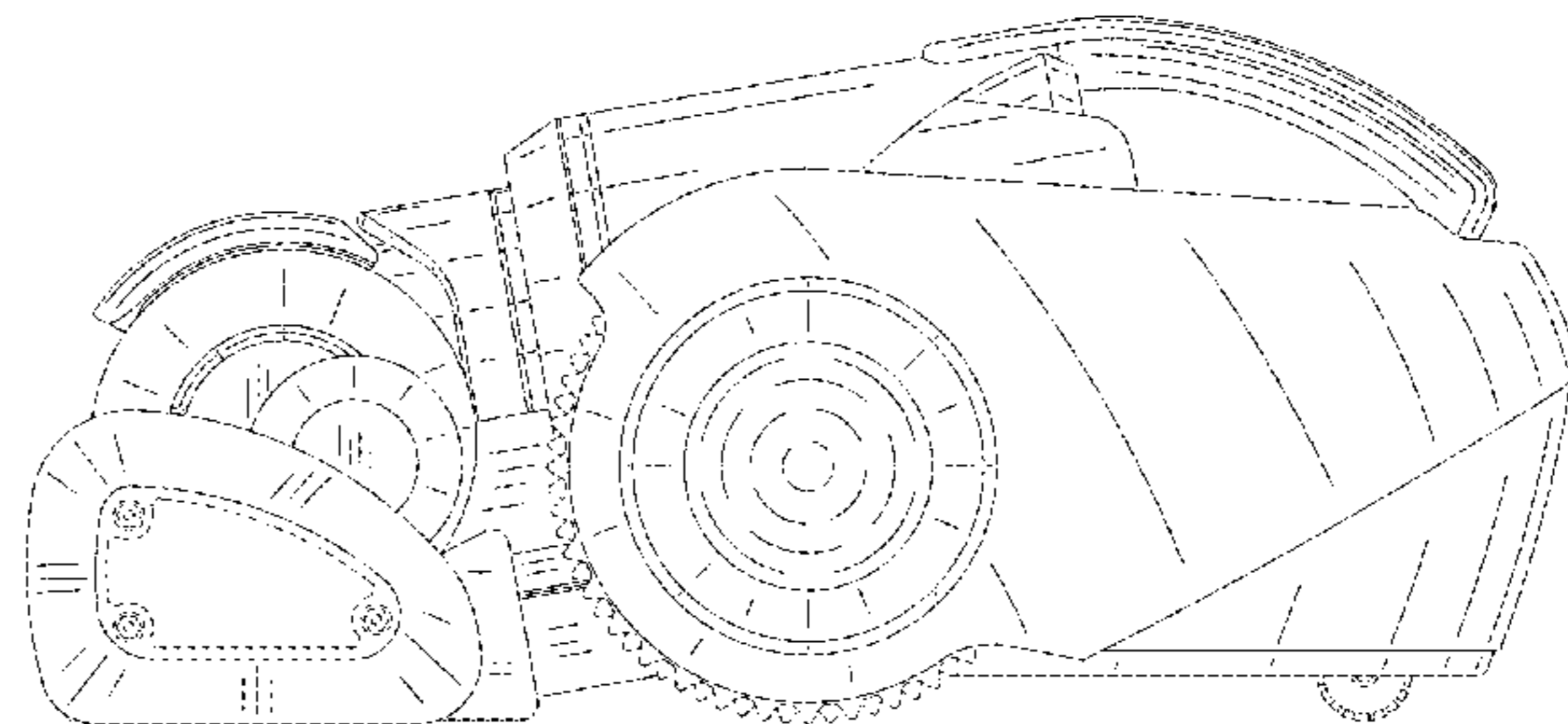
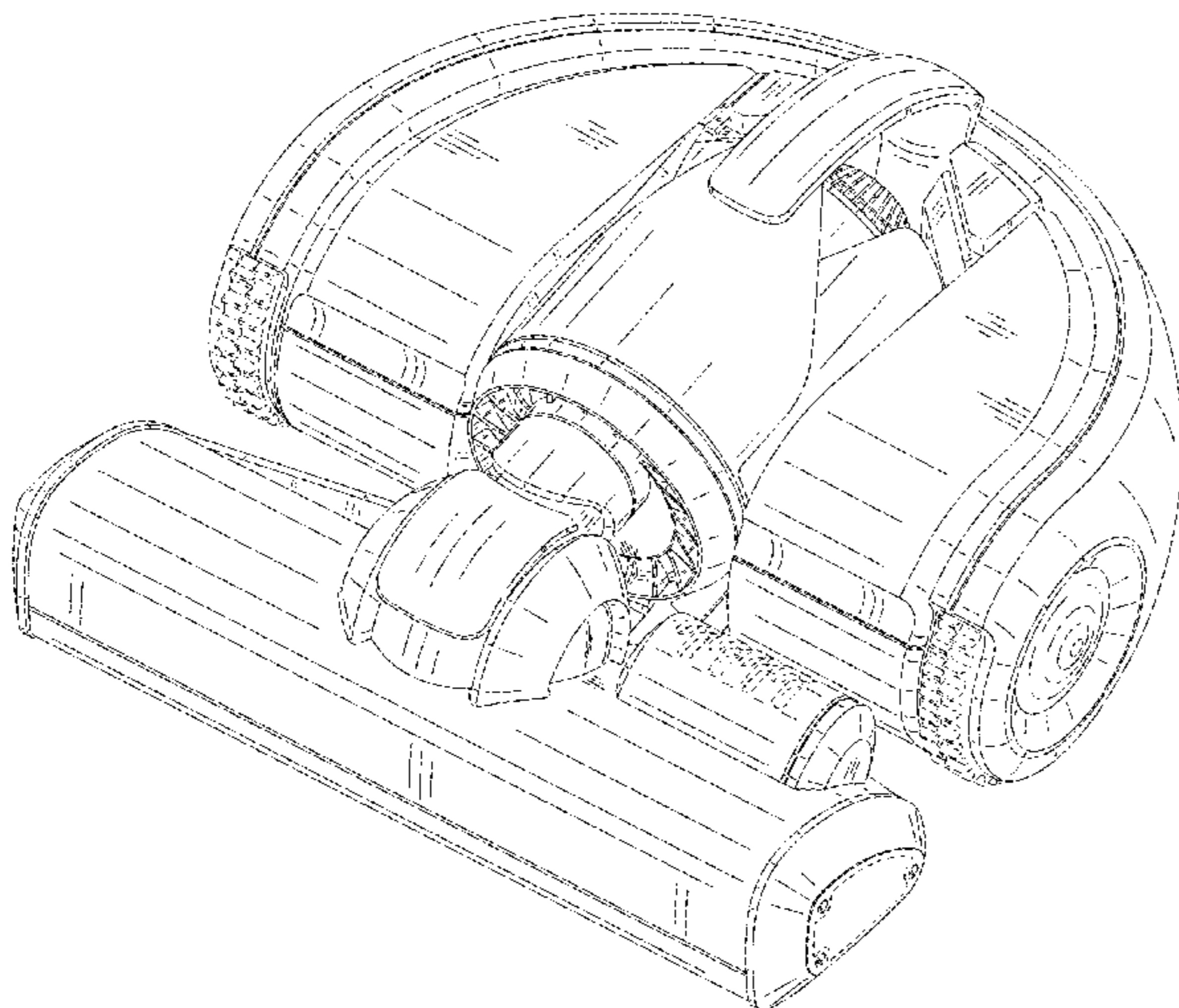


FIG. 1

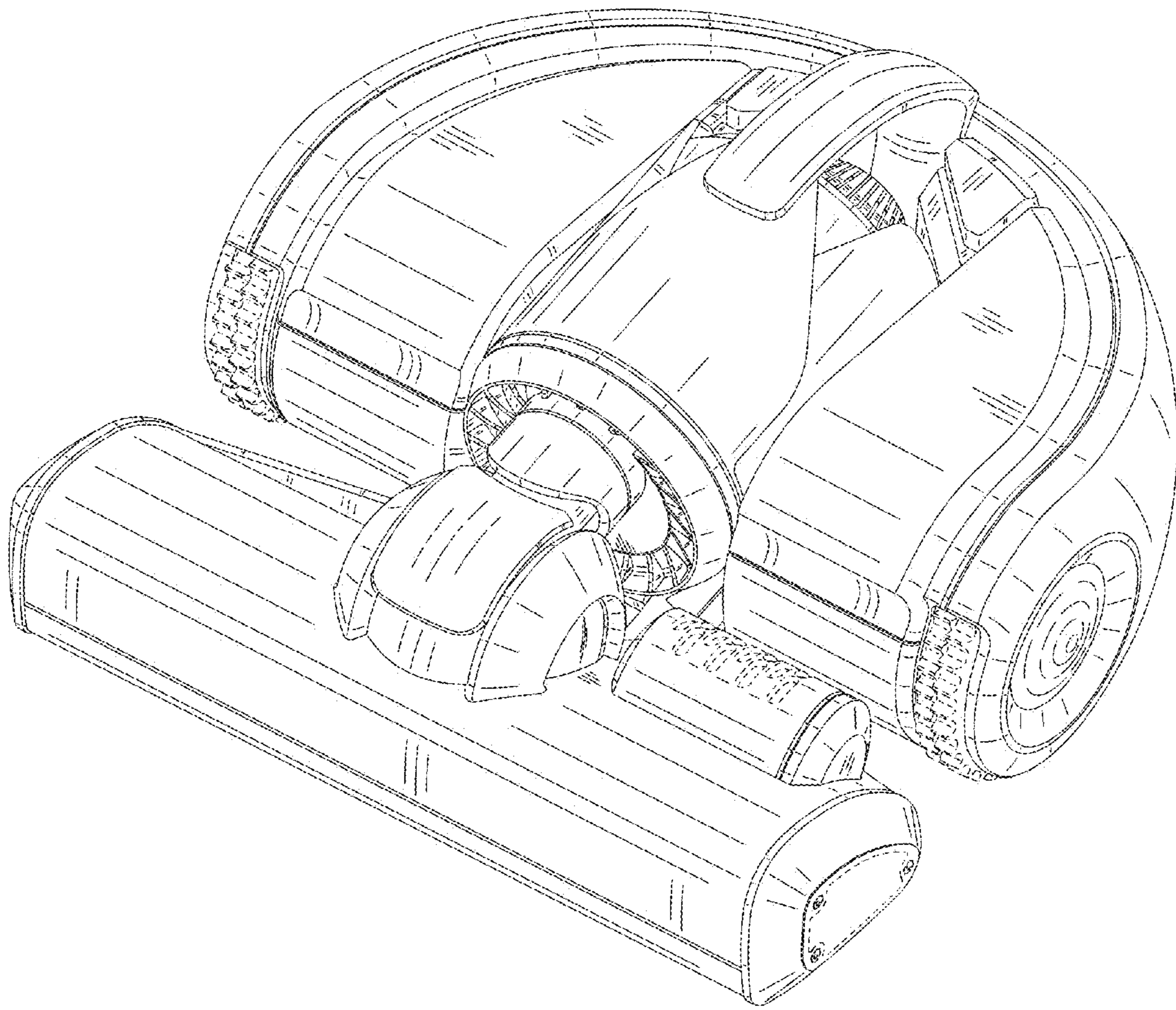


FIG. 2

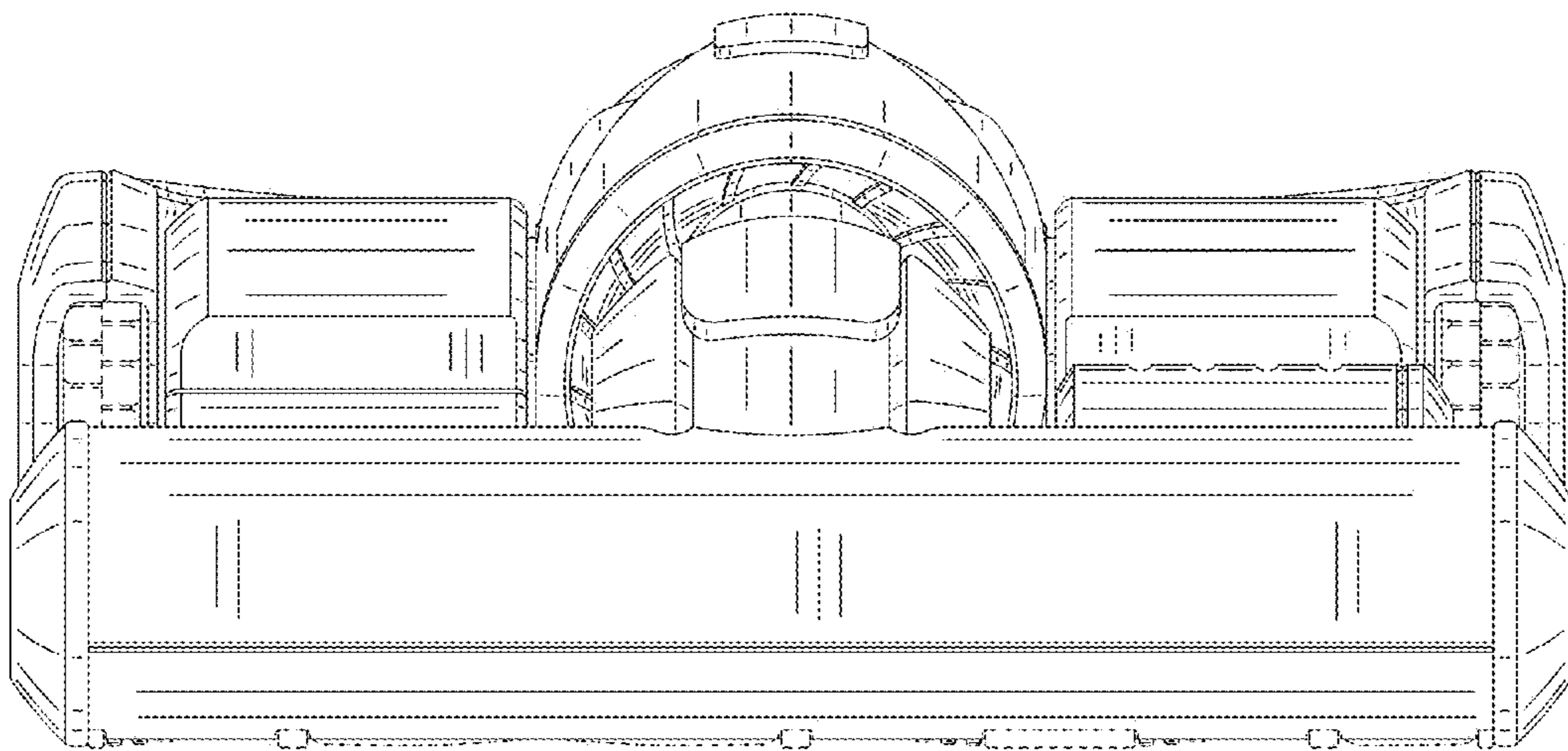


FIG. 3

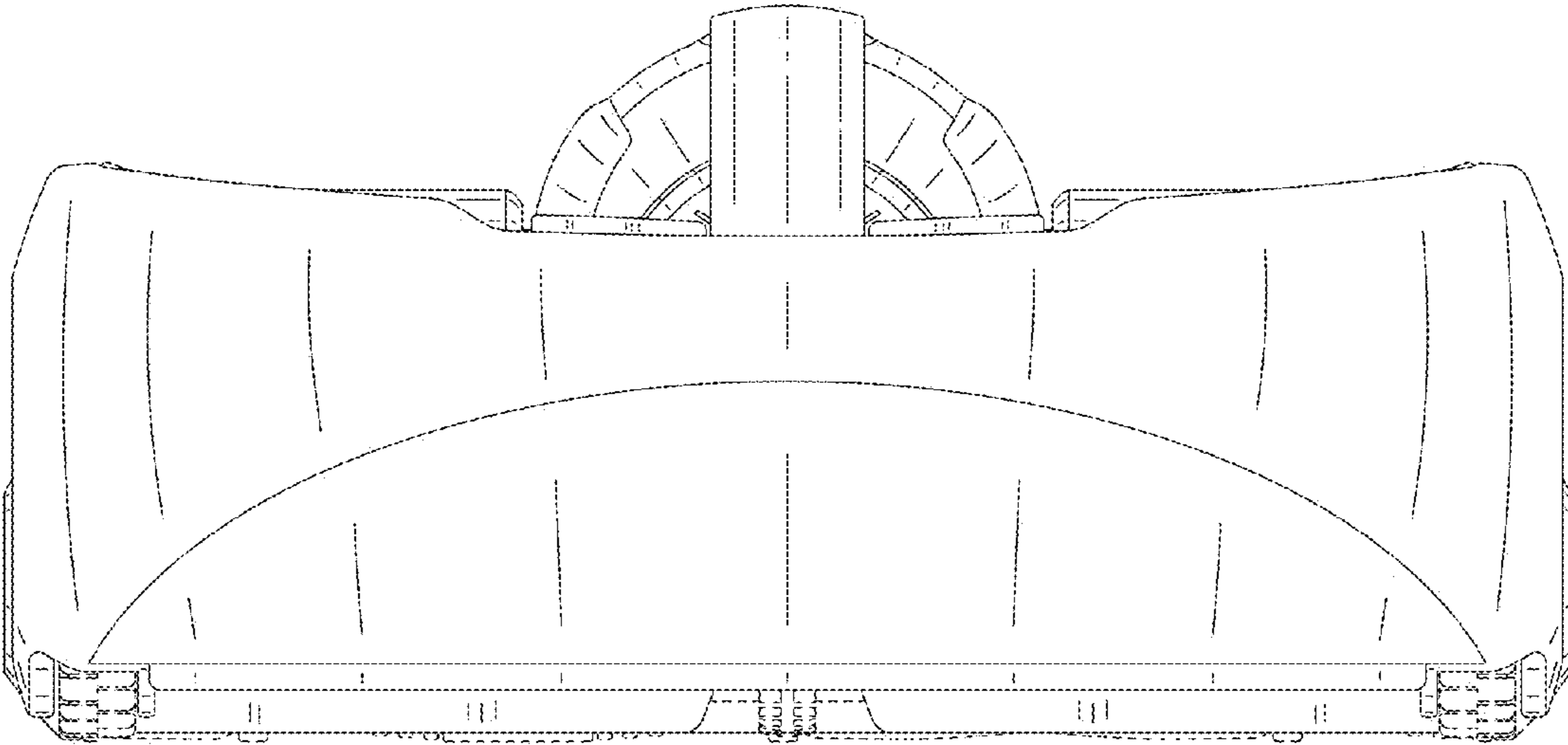


FIG.4

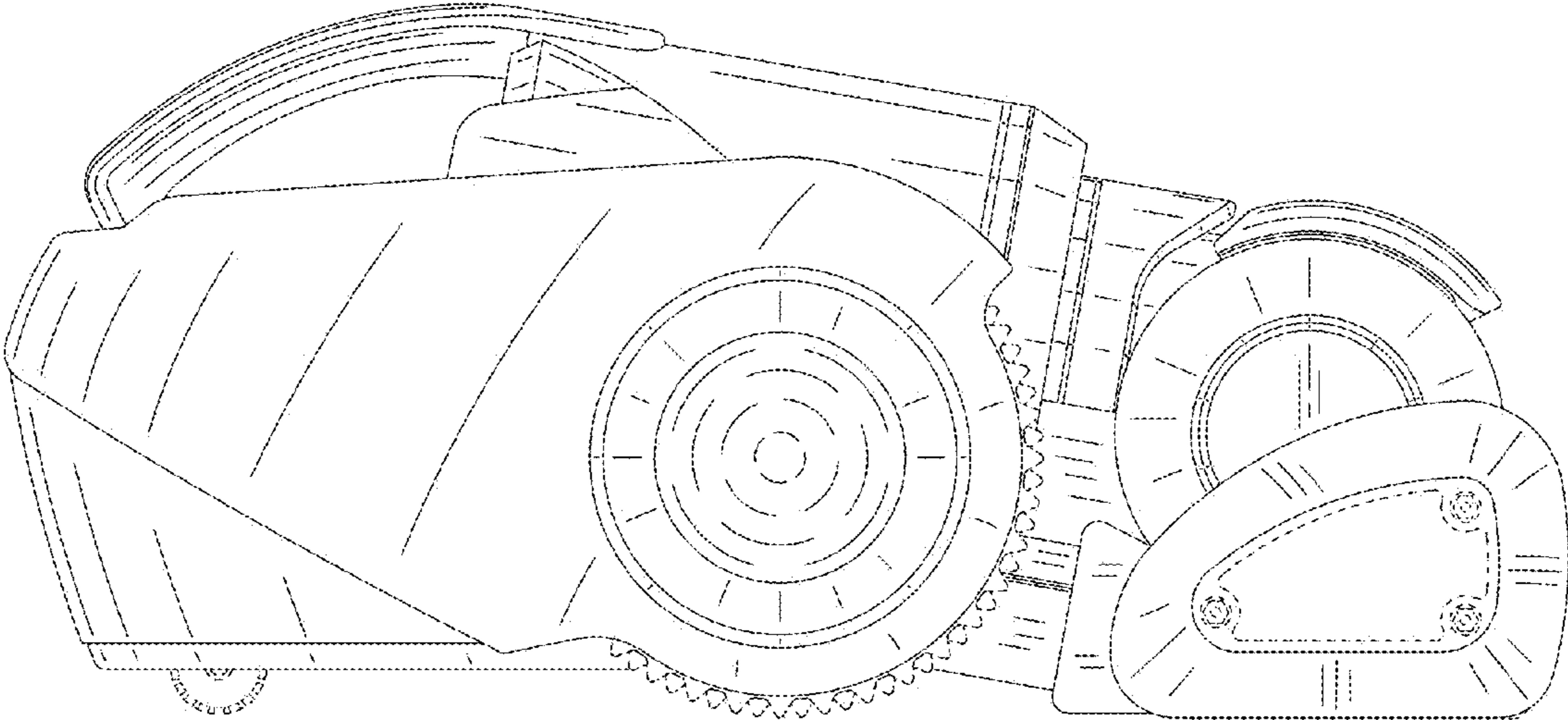


FIG. 5

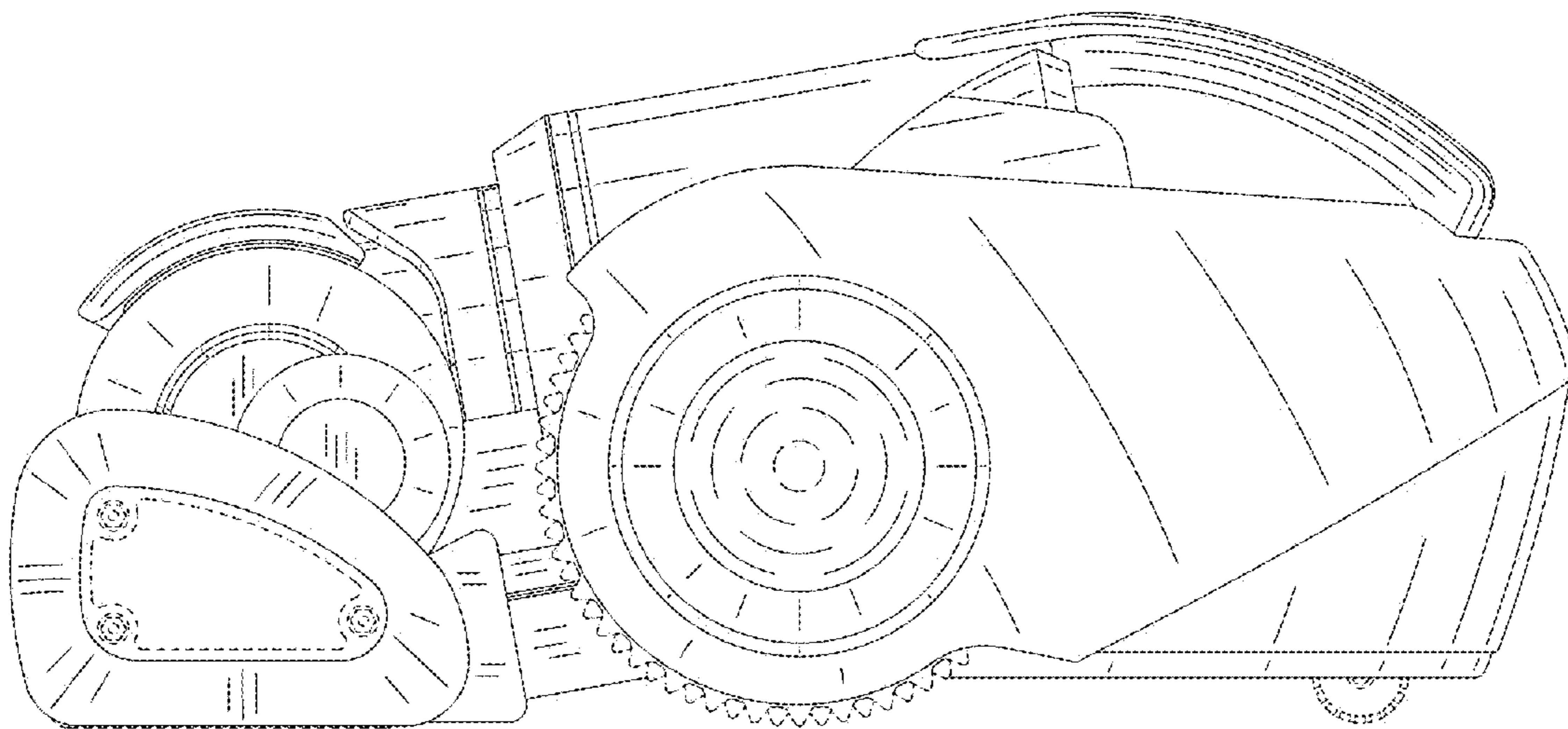


FIG. 6

