



US00D745756S

(12) **United States Design Patent**  
**Roberson et al.**

(10) **Patent No.:** **US D745,756 S**

(45) **Date of Patent:** **\*\* Dec. 15, 2015**

(54) **DISHWASHER DOOR HANDLE**

(56) **References Cited**

(71) Applicant: **BSH Home Appliances Corporation**,  
Irvine, CA (US)

U.S. PATENT DOCUMENTS

(72) Inventors: **Lindsay Roberson**, Durham, NC (US);  
**Thomas Ott**, Neubiberg (DE)

D191,224	S	*	8/1961	Fay	.....	D32/2
5,365,959	A	*	11/1994	Favaro	.....	134/113
D493,582	S	*	7/2004	Ott et al.	.....	D32/3
D493,583	S	*	7/2004	Kaczmarek	.....	D32/3
D501,963	S	*	2/2005	Kaczmarek	.....	D32/3
D519,689	S	*	4/2006	Ott et al.	.....	D32/3
D544,657	S	*	6/2007	Jung et al.	.....	D32/2
D627,938	S	*	11/2010	Kim	.....	D32/2
D658,828	S	*	5/2012	Kim et al.	.....	D32/2
D665,956	S	*	8/2012	Eng et al.	.....	D32/2
D665,957	S	*	8/2012	Eng et al.	.....	D32/2
D668,402	S	*	10/2012	Eng et al.	.....	D32/3

(73) Assignee: **BSH Home Appliances Corporation**,  
Irvine, CA (US)

(\*\*) Term: **15 Years**

(21) Appl. No.: **29/535,962**

(22) Filed: **Aug. 12, 2015**

(Continued)

*Primary Examiner* — Robert Delehanty

(74) *Attorney, Agent, or Firm* — James E. Howard; Andre Pallapies

**Related U.S. Application Data**

(62) Division of application No. 29/524,470, filed on Apr. 21, 2015, which is a division of application No. 29/481,557, filed on Feb. 7, 2014, now Pat. No. Des. 732,758, which is a division of application No. 29/469,038, filed on Oct. 7, 2013, now Pat. No. Des. 706,502, which is a division of application No. 29/461,670, filed on Jul. 26, 2013, now Pat. No. Des. 698,507, which is a division of application No. 29/434,110, filed on Oct. 10, 2012, now Pat. No. Des. 693,070, which is a division of application No. 29/425,993, filed on Jun. 29, 2012, now Pat. No. Des. 673,742, which is a division of application No. 29/418,059, filed on Apr. 12, 2012, now Pat. No. Des. 668,404.

(51) **LOC (10) Cl.** ..... **15-05**

(52) **U.S. Cl.**  
USPC ..... **D32/3**

(58) **Field of Classification Search**  
USPC ..... D32/1-3, 25, 28; D7/340, 348-350,  
D7/405; 312/31, 109, 228; 134/56 D, 57 D,  
134/58 D, 58 DL, 201

See application file for complete search history.

(57) **CLAIM**

The ornamental design for a dishwasher door handle, as shown and described.

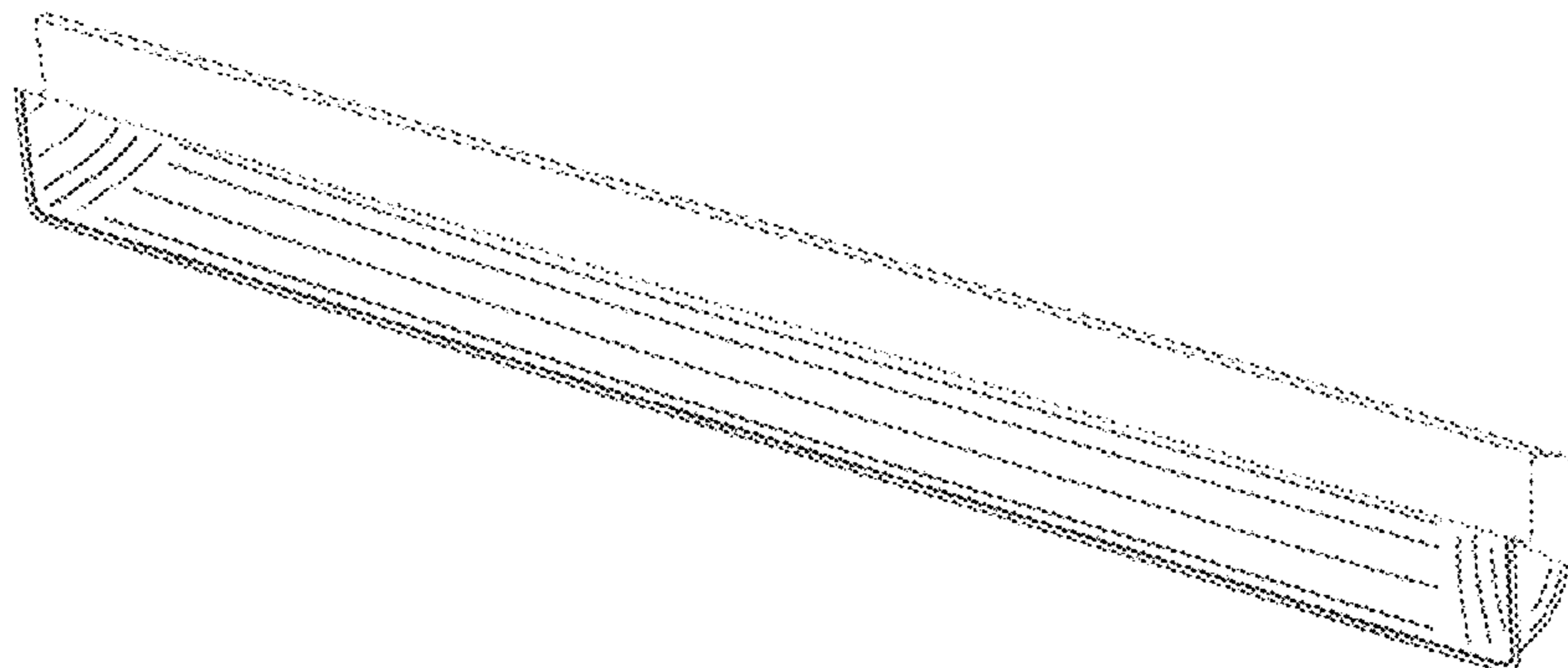
**DESCRIPTION**

FIG. 1 is a front perspective view of a dishwasher door handle according to our new ornamental design;  
FIG. 2 is a front view thereof;  
FIG. 3 is a left side view thereof, with the right hand side view thereof being a mirror image thereof;  
FIG. 4 is a perspective view thereof; and,  
FIG. 5 is an enlarged cross section taken along lines 5-5 of FIG. 4.

The broken lines of the dishwasher, dishwasher compartment and/or components thereof show surrounding structure or environment and do not form part of the claimed design. Where included, the dotted lines represent the border between claimed and unclaimed subject matter and do not form a part of the claimed design.

The bottom and rear parts of the dishwasher door, and the bottom, rear and top of the dishwasher compartment are unornamented and form no part of the claimed design.

**1 Claim, 2 Drawing Sheets**



(56)

**References Cited**

U.S. PATENT DOCUMENTS

D668,403 S \* 10/2012 Eng et al. .... D32/3  
D668,404 S \* 10/2012 Eng et al. .... D32/3  
D670,457 S \* 11/2012 Eng ..... D32/3  
D672,101 S \* 12/2012 Eng et al. .... D32/3  
D673,742 S \* 1/2013 Eng et al. .... D32/2  
D684,734 S \* 6/2013 Eng et al. .... D32/3

D684,735 S \* 6/2013 Eng et al. .... D32/3  
D684,736 S \* 6/2013 Eng et al. .... D32/3  
D685,149 S \* 6/2013 Eng et al. .... D32/3  
D689,248 S \* 9/2013 Eng ..... D32/3  
D692,628 S \* 10/2013 Eng et al. .... D32/2  
D692,629 S \* 10/2013 Eng et al. .... D32/3  
D693,069 S \* 11/2013 Grobleben et al. .... D32/3  
D693,070 S \* 11/2013 Eng et al. .... D32/3

\* cited by examiner

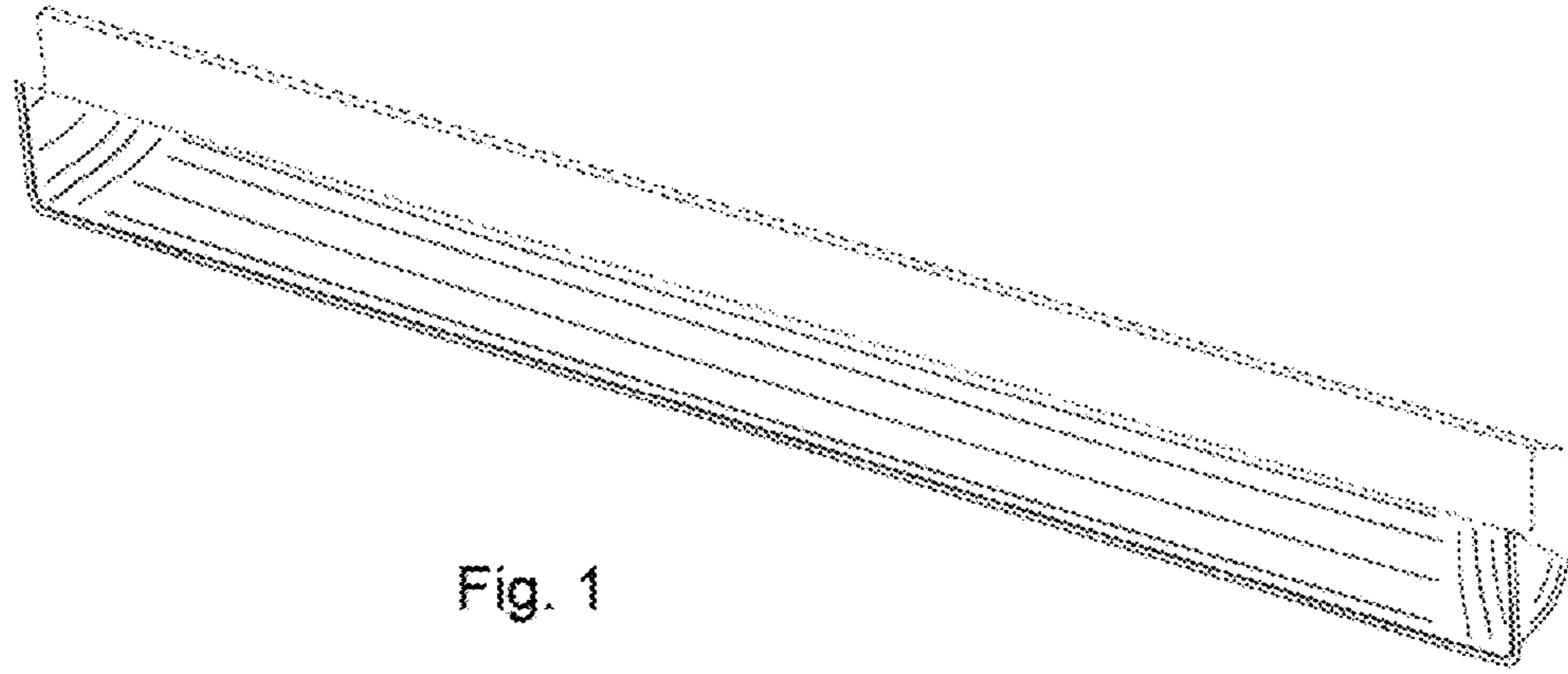


Fig. 1

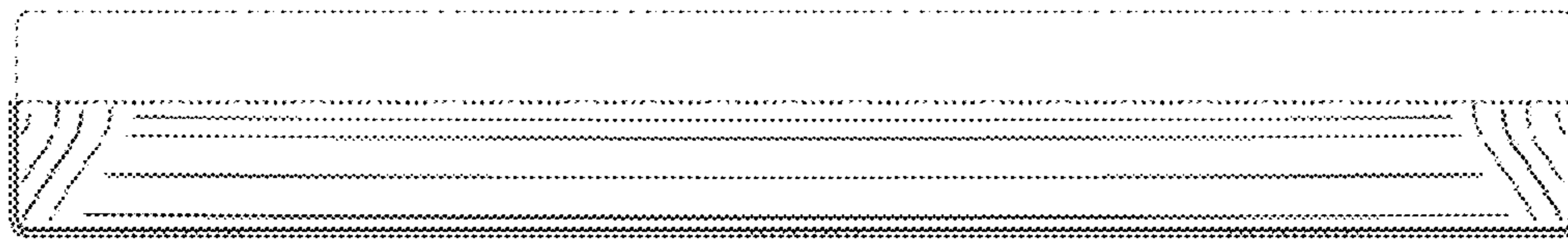


Fig. 2



Fig. 3

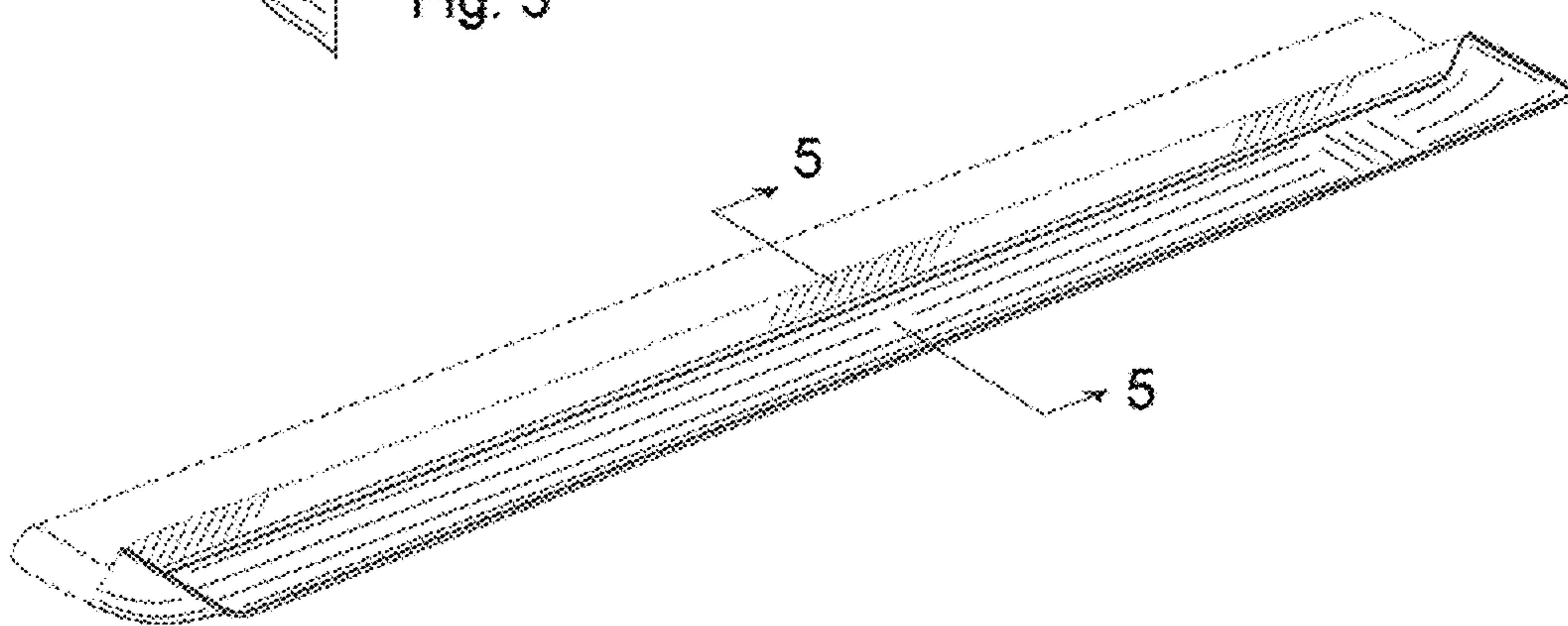


Fig. 4

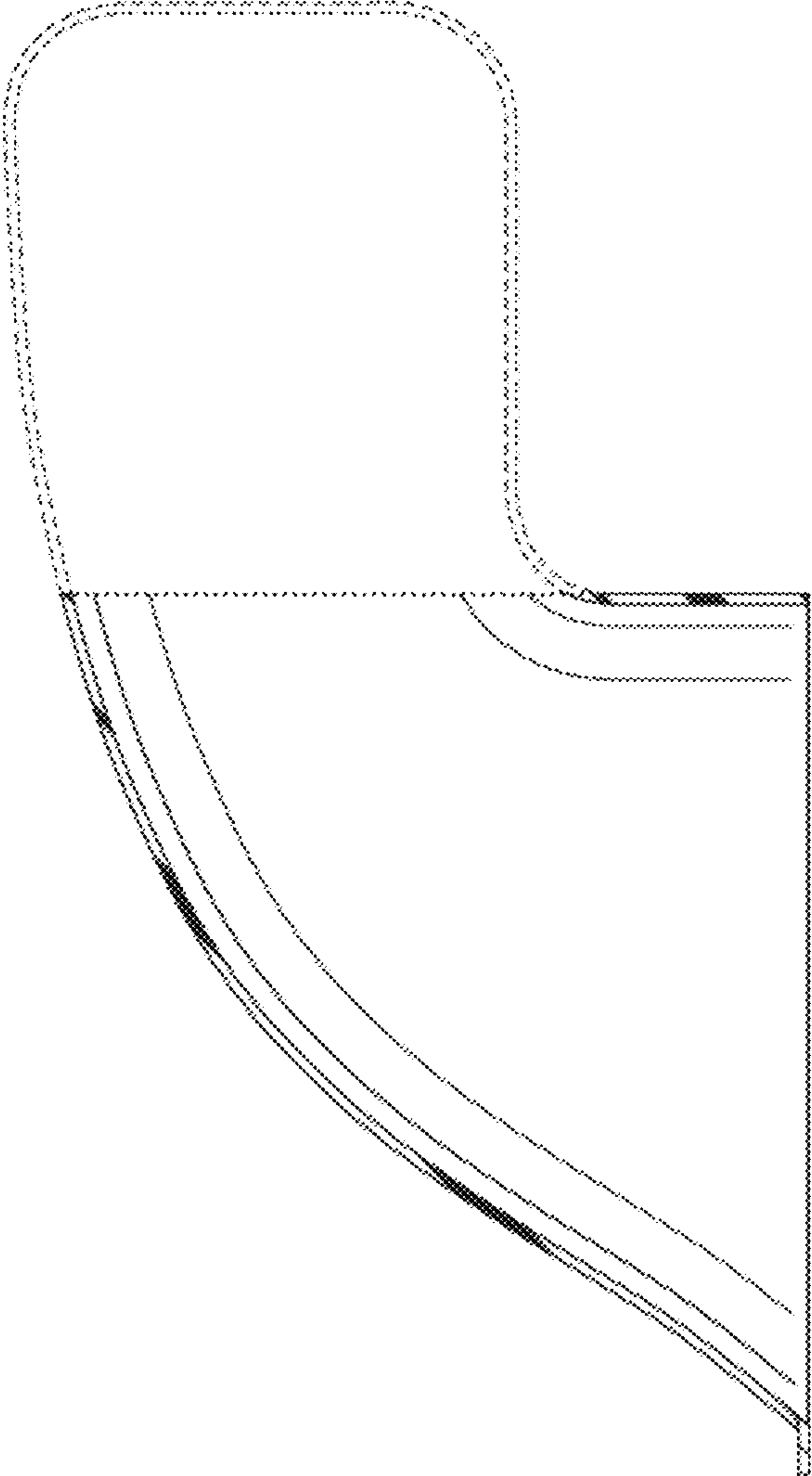


Fig. 5