



US00D745753S

(12) **United States Design Patent**
Roberson

(10) **Patent No.:** **US D745,753 S**

(45) **Date of Patent:** **** Dec. 15, 2015**

(54) **DISHWASHER AND/OR COMPONENT(S)
THEREOF**

(71) Applicant: **BSH Home Appliances Corporation,**
Irvine, CA (US)

(72) Inventor: **Lindsay Roberson,** Durham, NC (US)

(73) Assignee: **BSH Home Appliances Corporation,**
Irvine, CA (US)

(**) Term: **15 Years**

(21) Appl. No.: **29/534,461**

(22) Filed: **Jul. 29, 2015**

Related U.S. Application Data

(62) Division of application No. 29/527,051, filed on May 15, 2015, now Pat. No. Des. 741,034, which is a division of application No. 29/483,145, filed on Feb. 26, 2014, now Pat. No. Des. 733,370, which is a division of application No. 29/470,193, filed on Oct. 18, 2013, now Pat. No. Des. 708,406, which is a division of application No. 29/459,096, filed on Jun. 26, 2013, now Pat. No. Des. 699,904, which is a division of application No. 29/428,560, filed on Aug. 1, 2012, now Pat. No. Des. 689,248, which is a division of application No. 29/418,058, filed on Apr. 12, 2012, now Pat. No. Des. 670,457.

(51) **LOC (10) Cl.** **15-05**

(52) **U.S. Cl.**
USPC **D32/3**

(58) **Field of Classification Search**
USPC D32/1-3, 25, 28; D7/340, 348-350,
D7/405; 312/31, 109, 228; 134/56 D, 57 D,
134/58 D, 58 DL, 201

See application file for complete search history.

(56) **References Cited**

U.S. PATENT DOCUMENTS

D424,257	S	*	5/2000	Umeda et al.	D32/2
6,893,061	B2	*	5/2005	Miller et al.	292/303
7,216,944	B2	*	5/2007	Oyler et al.	312/311
D627,937	S	*	11/2010	Kim	D32/2
D665,956	S	*	8/2012	Eng et al.	D32/2
D665,957	S	*	8/2012	Eng et al.	D32/2
D668,402	S	*	10/2012	Eng et al.	D32/3
D668,403	S	*	10/2012	Eng et al.	D32/3
D668,404	S	*	10/2012	Eng et al.	D32/3
D670,457	S	*	11/2012	Eng	D32/3
D672,101	S	*	12/2012	Eng et al.	D32/3
D673,742	S	*	1/2013	Eng et al.	D32/2
D684,735	S	*	6/2013	Eng et al.	D32/3
D684,736	S	*	6/2013	Eng et al.	D32/3
D685,149	S	*	6/2013	Eng et al.	D32/3
D689,248	S	*	9/2013	Eng	D32/3
D692,628	S	*	10/2013	Eng et al.	D32/2
D693,070	S	*	11/2013	Eng et al.	D32/3
2003/0030288	A1	*	2/2003	Miller et al.	292/303

* cited by examiner

Primary Examiner — Robert Delehanty

(74) *Attorney, Agent, or Firm* — James E. Howard; Andre Pallapies

(57) **CLAIM**

The ornamental design for a dishwasher and/or component(s) thereof, as shown and described.

DESCRIPTION

FIG. 1 is a front perspective view of a dishwasher door according to our new ornamental design;

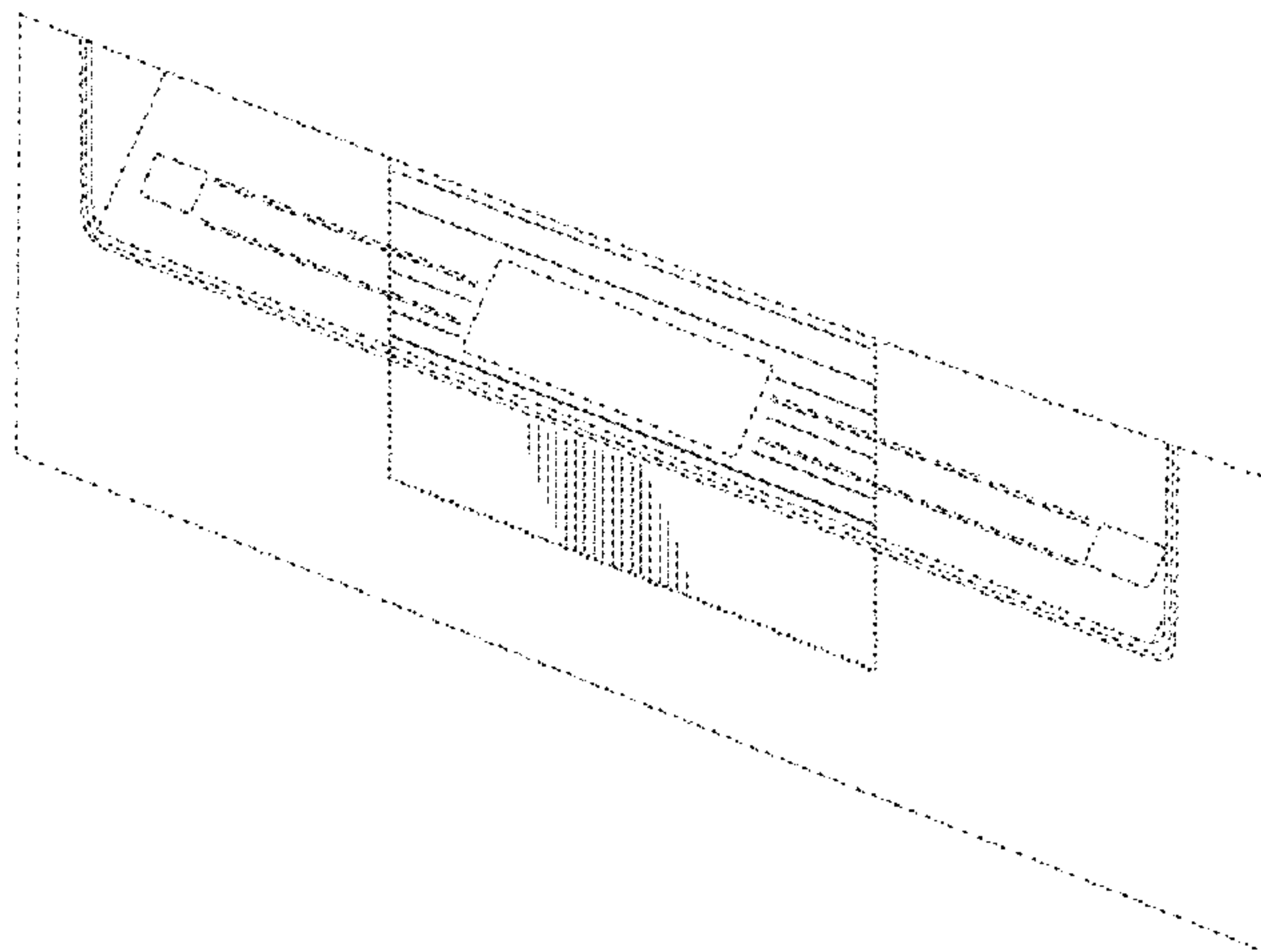
FIG. 2 is a front view thereof; and,

FIG. 3 is a cross section taken along lines 3-3 of FIG. 2.

The broken lines of the dishwasher, dishwasher compartment and/or components thereof show surrounding structure or environment and do not form part of the claimed design.

The bottom and rear parts of the dishwasher door, and the bottom, rear and top of the dishwasher compartment are unornamented and form no part of the claimed design.

1 Claim, 2 Drawing Sheets



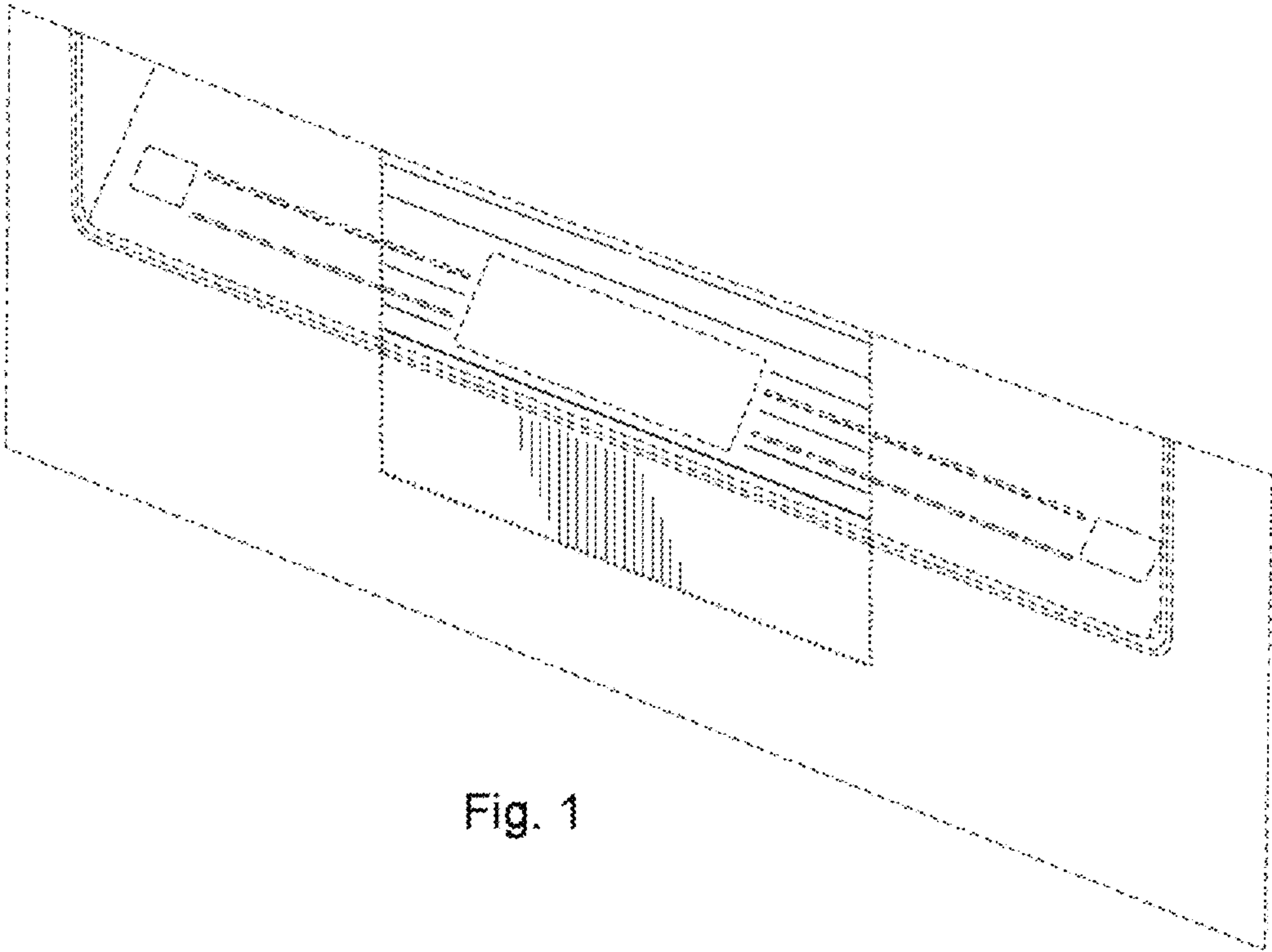


Fig. 1

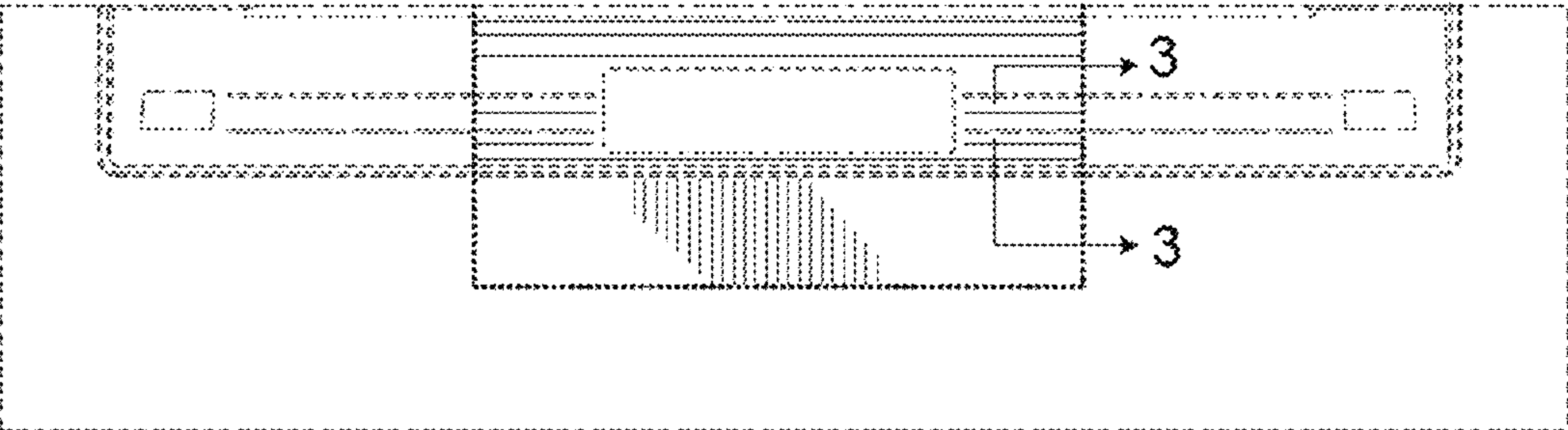


Fig. 2

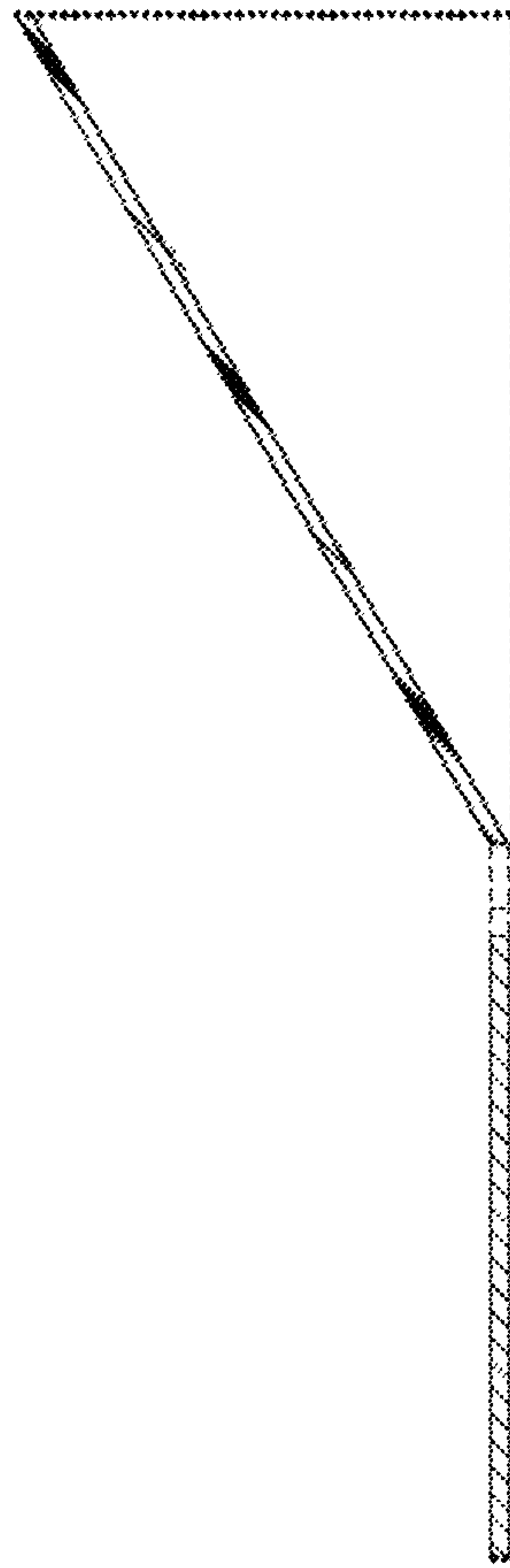


Fig. 3