



US00D745747S

(12) **United States Design Patent**
King

(10) **Patent No.:** **US D745,747 S**
(45) **Date of Patent:** **** Dec. 15, 2015**

(54) **L-SHAPED BEAM WITH SURFACE TEXTURE FOR USE IN A FISH HABITAT**

119/256
D585,607 S * 1/2009 Rosenblatt D30/119
8,413,609 B2 * 4/2013 Krone A01K 61/002
119/208

(71) Applicant: **David King**, Springdale, AR (US)

* cited by examiner

(72) Inventor: **David King**, Springdale, AR (US)

Primary Examiner — Wan Laymon

(**) Term: **14 Years**

(74) *Attorney, Agent, or Firm* — Wright Lindsey + Jennings LLP; Meredith Lowry

(21) Appl. No.: **29/493,678**

(22) Filed: **Jun. 12, 2014**

(51) **LOC (10) Cl.** **30-02**

(52) **U.S. Cl.**
USPC **D30/106**

(58) **Field of Classification Search**
USPC D30/101–106, 118–119; D11/142, 145;
D6/356; 119/207–209, 211, 215, 219,
119/221, 256, 269; 405/23, 25
CPC ... A01K 61/00; A01K 61/006; A01K 61/025;
A01K 61/005

See application file for complete search history.

(56) **References Cited**

U.S. PATENT DOCUMENTS

4,368,691 A * 1/1983 Brune A01K 61/00
119/207
6,422,175 B1 * 7/2002 Rudolph A01K 63/006

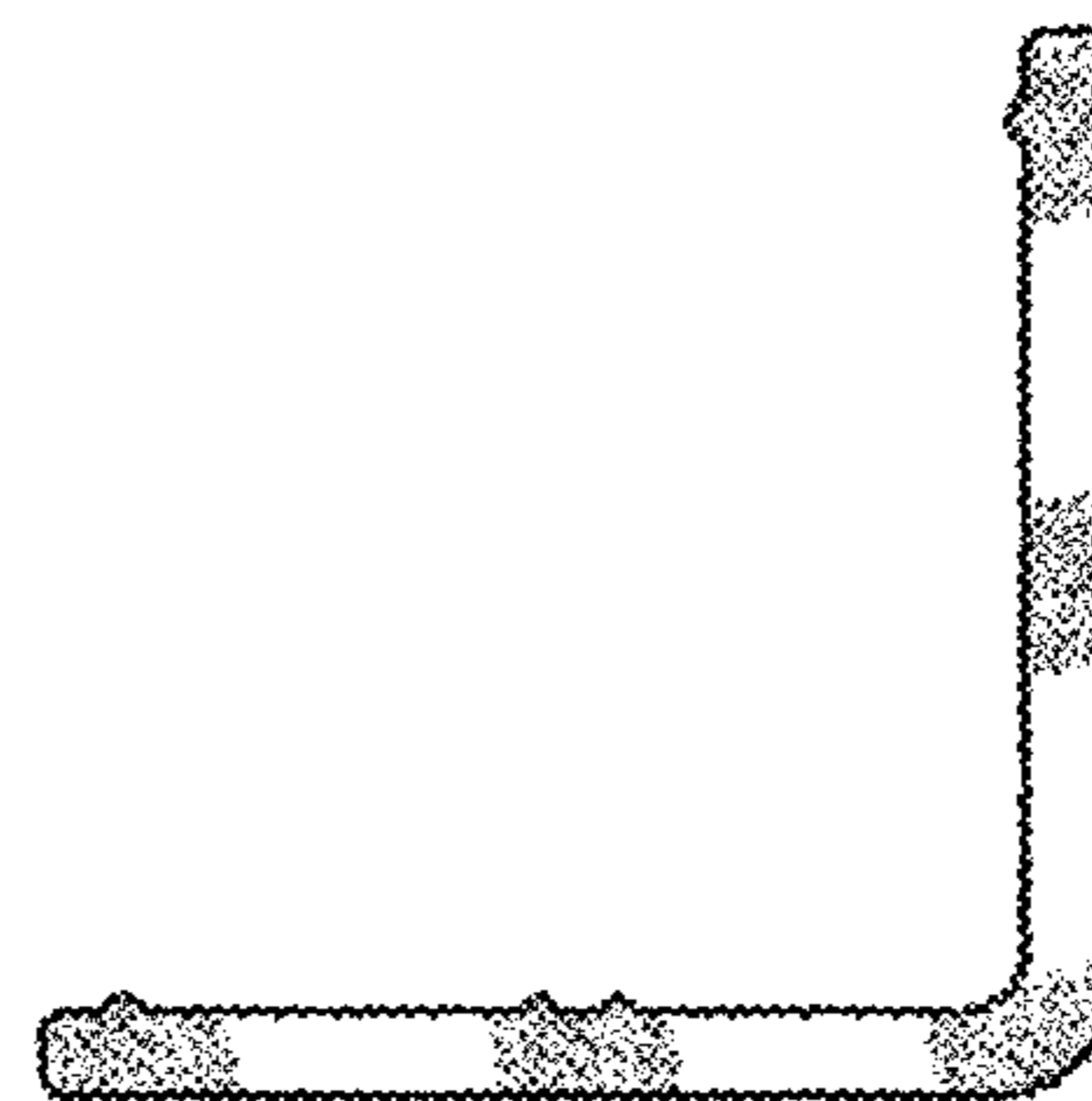
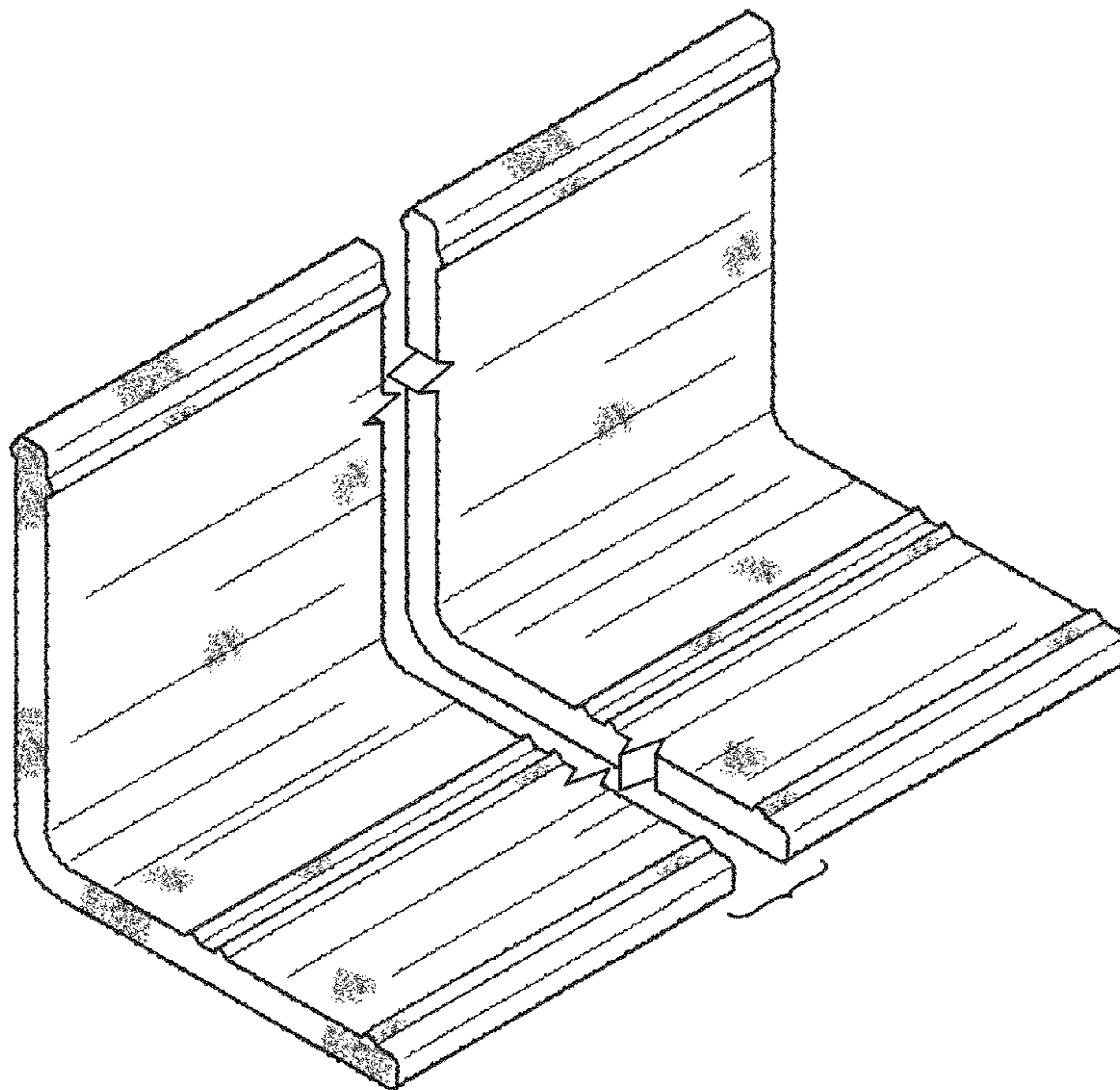
(57) **CLAIM**

The ornamental design for an L-shaped beam with surface texture for use in a fish habitat, as shown and described.

DESCRIPTION

FIG. 1 is an isometric view of the L-shaped beam with surface texture for use in a fish habitat;
FIG. 2 is a top elevation view thereof;
FIG. 3 is a front elevation view thereof;
FIG. 4 is a bottom plan view thereof;
FIG. 5 is a rear elevation view thereof; and,
FIG. 6 is a right side elevation view thereof, the left side being a mirror image thereof.
The stippling depicts a rough surface over all surfaces. The broken away symbols in the drawings indicate that any portion of the article beyond what is shown forms no part of the claimed design.

1 Claim, 2 Drawing Sheets



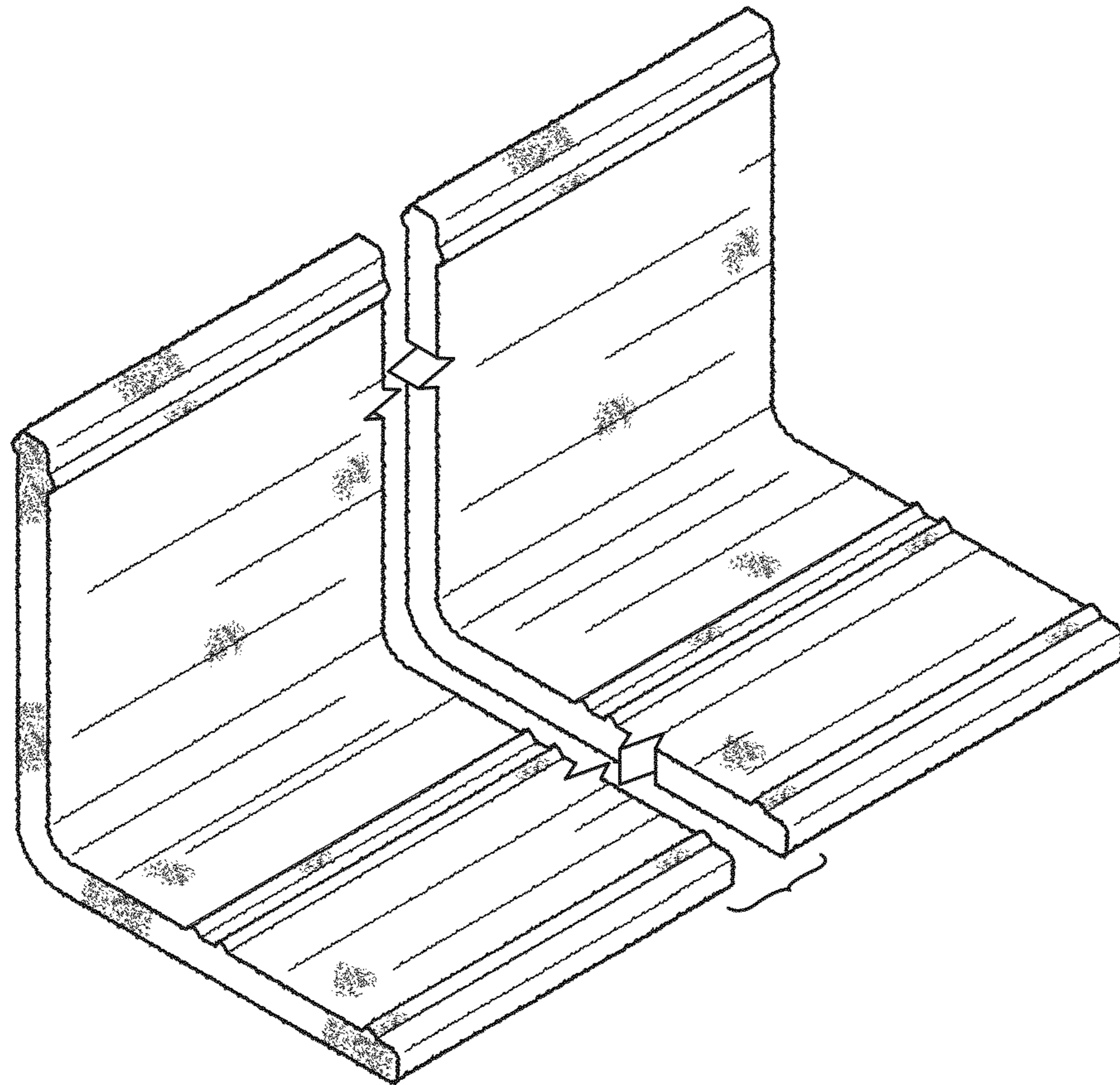


FIG. 1

FIG. 2

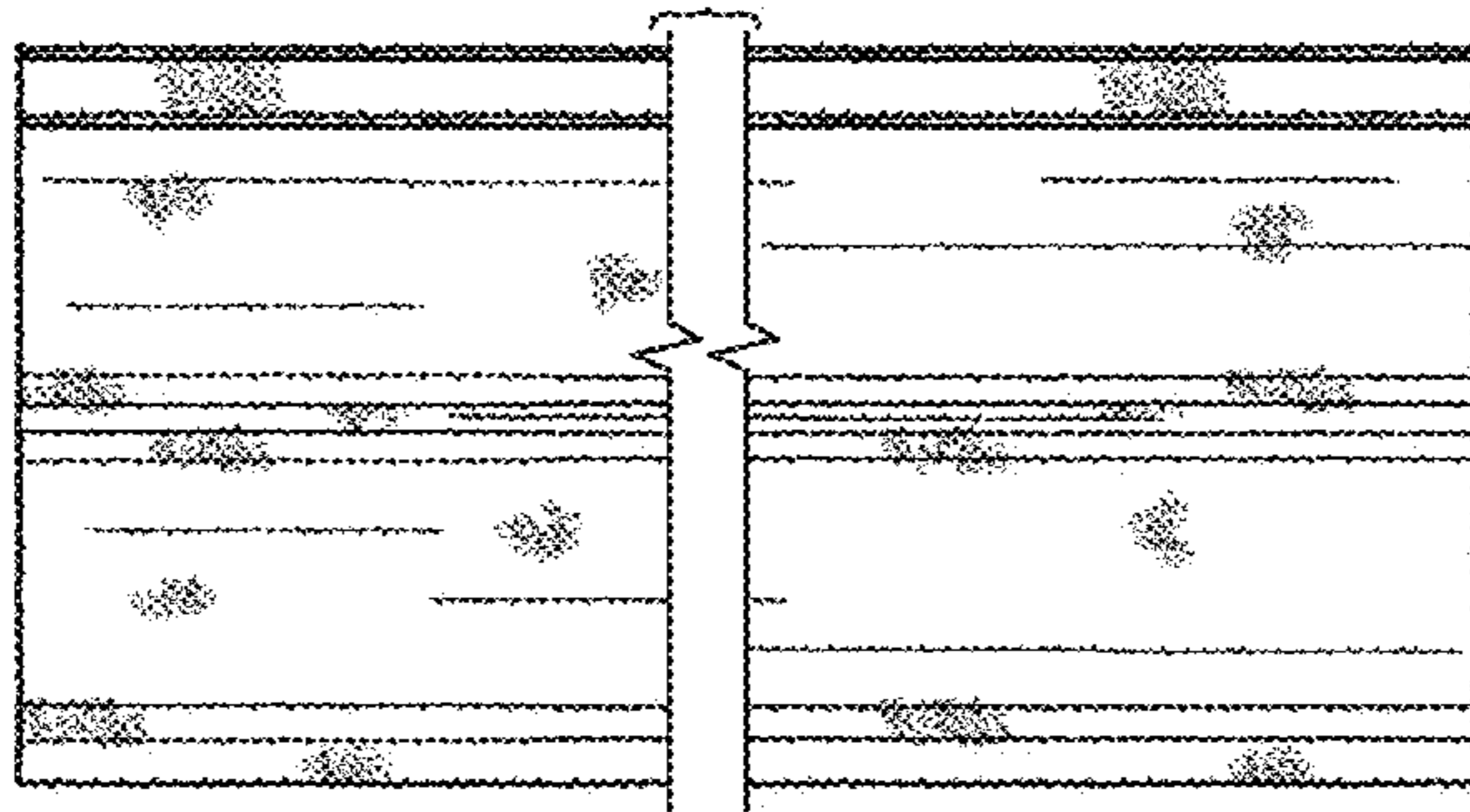


FIG. 3

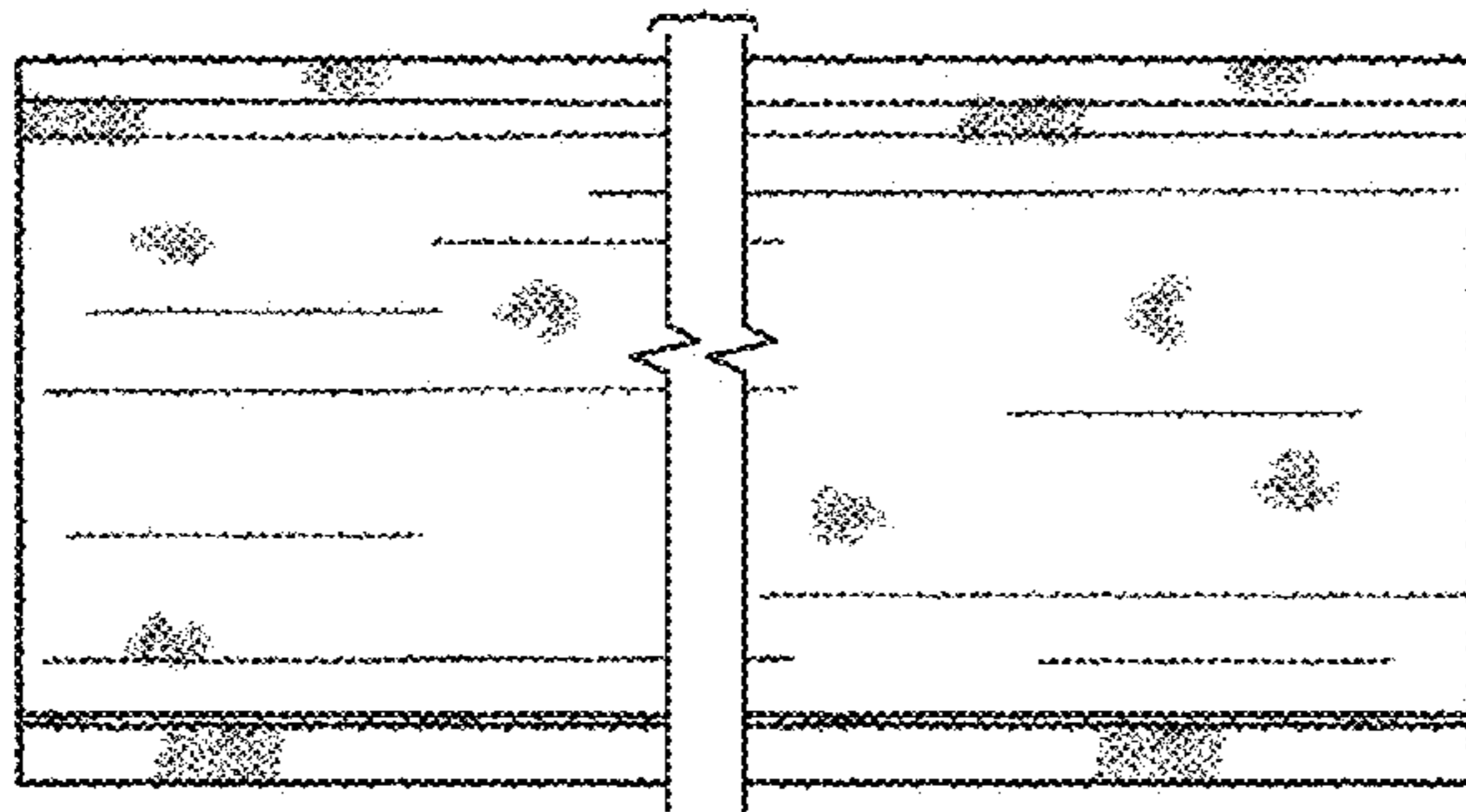


FIG. 4

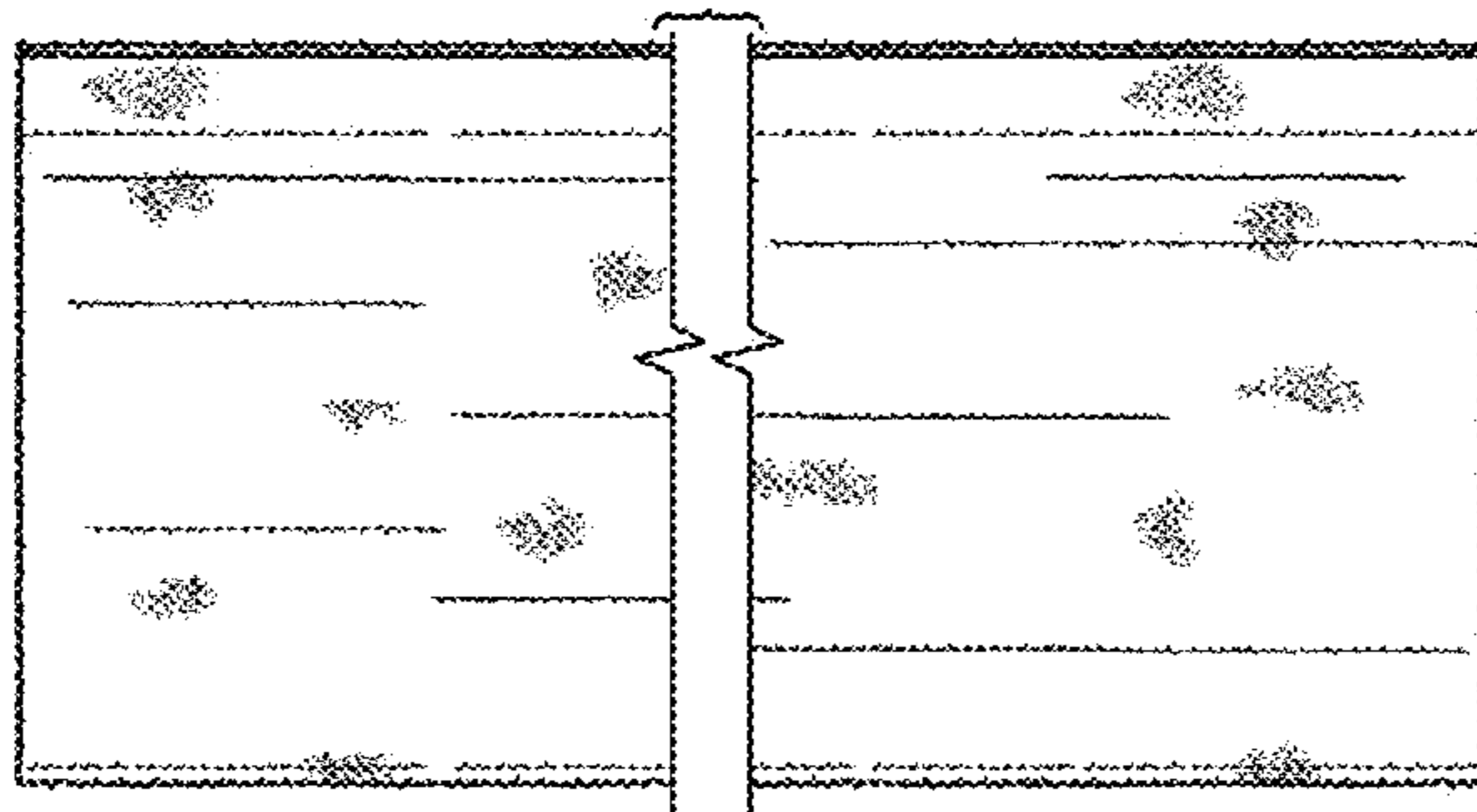


FIG. 5

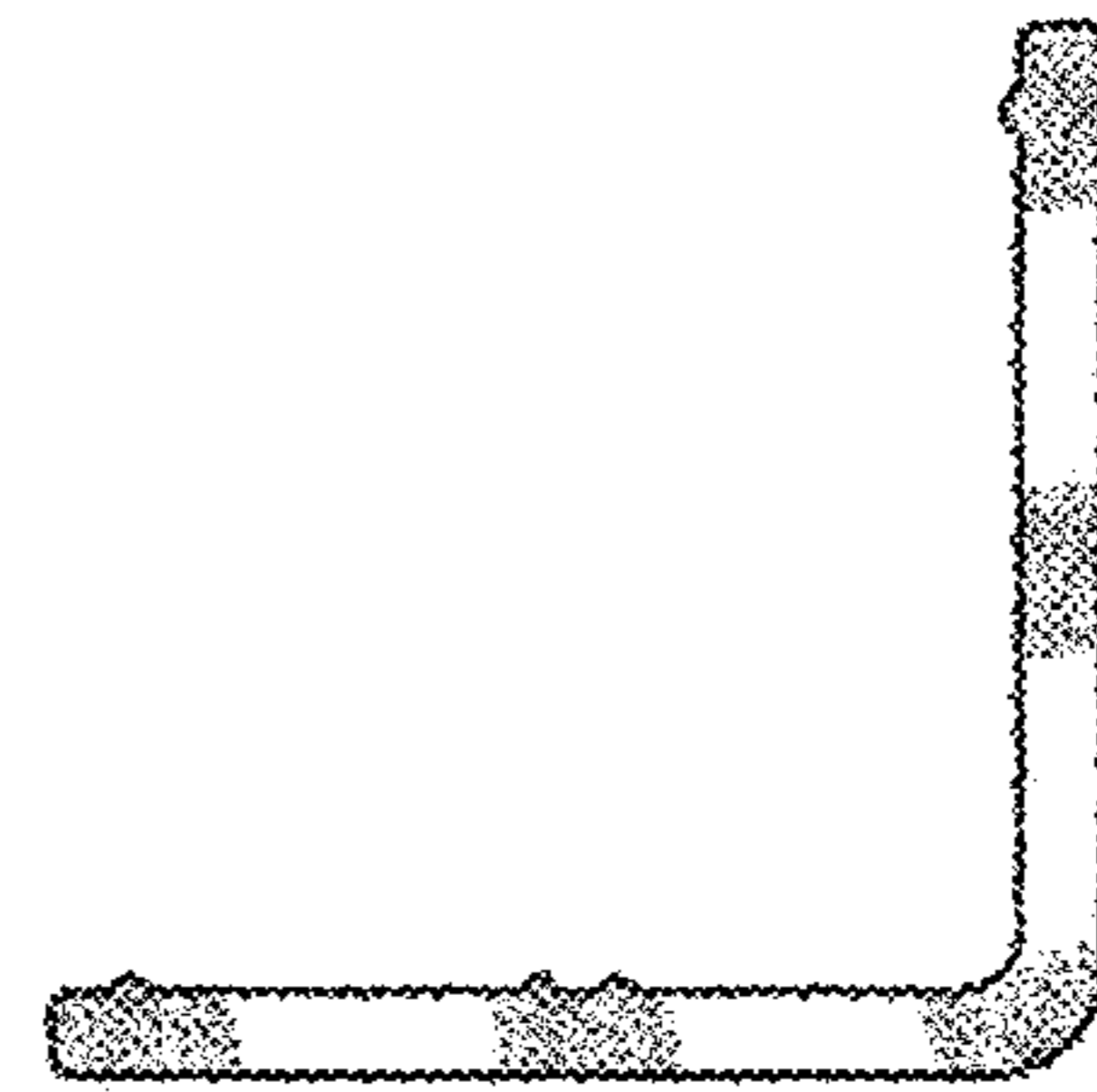
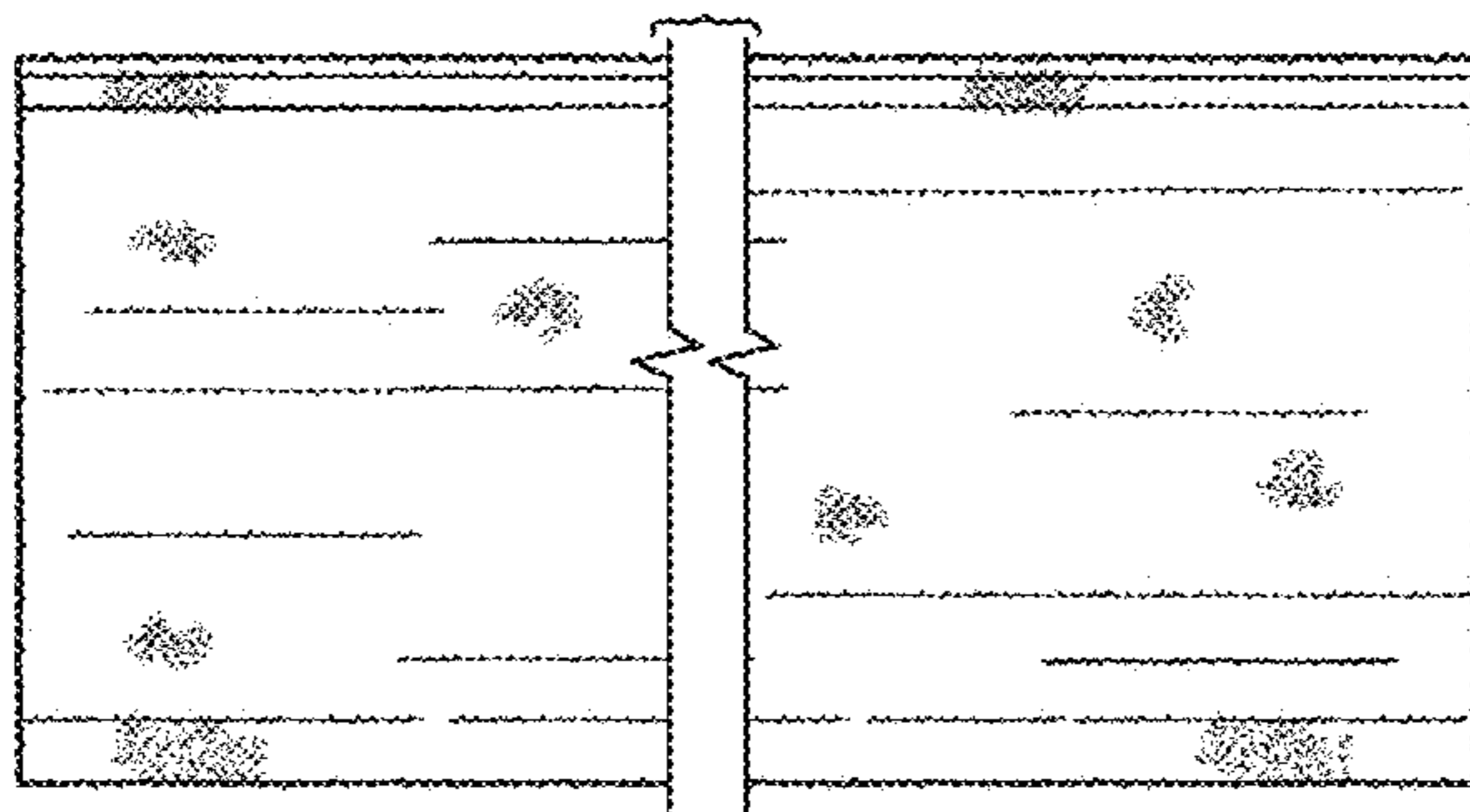


FIG. 6