



US00D745742S

(12) **United States Design Patent**
Betts

(10) **Patent No.:** **US D745,742 S**
(45) **Date of Patent:** **** Dec. 15, 2015**

(54) **LIP BALM CONTAINER**

(71) Applicant: **Joyce T. Betts**, Huntsville, AL (US)

(72) Inventor: **Joyce T. Betts**, Huntsville, AL (US)

(**) Term: **14 Years**

(21) Appl. No.: **29/503,230**

(22) Filed: **Sep. 24, 2014**

Related U.S. Application Data

(62) Division of application No. 29/421,171, filed on Jun. 5, 2012, now Pat. No. Des. 714,490.

(51) **LOC (10) Cl.** **28-03**

(52) **U.S. Cl.**
USPC **D28/88**; D28/77; D28/7; D28/86

(58) **Field of Classification Search**
USPC D28/4, 76, 77, 85, 86, 87, 88, 89, 90, 7;
D9/724, 725, 727, 730, 504, 545, 737,
D9/738, 516, 522, 529, 549, 551, 553, 555,
D9/559, 560, 564, 566; D19/117; D3/208
CPC A45D 33/00; A45D 33/14; A45D 34/06;
A45D 2040/0012; A45D 40/00; A45D
2040/0018; A45D 2040/0025; A45D 40/0068;
A45D 40/02; A45D 40/20; A45D 40/06;
A45D 40/24; A45D 40/18; A45D 2200/1018
See application file for complete search history.

(56) **References Cited**

U.S. PATENT DOCUMENTS

2,264,482	A *	12/1941	Ridner et al.	401/11
3,171,416	A *	3/1965	Pimentel	132/297
3,917,417	A *	11/1975	Lang	401/72
D344,017	S *	2/1994	Lang et al.	D9/727
D375,256	S *	11/1996	Chadfield	D9/724
D422,748	S *	4/2000	Lang	D28/7
D429,845	S *	8/2000	Lang	D28/7
D429,847	S *	8/2000	Lang	D28/7

D433,562	S *	11/2000	Redlinger	D3/208
D443,641	S *	6/2001	Mader	D19/117
D448,120	S *	9/2001	Look	D28/77
D486,270	S *	2/2004	Kurumada et al.	D28/76
D491,810	S *	6/2004	Kostow	D9/504
D496,135	S *	9/2004	Hillock	D28/85
D530,857	S *	10/2006	Black	D28/7
D542,978	S *	5/2007	Bortolotti	D28/76
7,252,091	B1 *	8/2007	Wayne et al.	132/112
D692,179	S *	10/2013	Stadlbauer et al.	D28/7

(Continued)

OTHER PUBLICATIONS

Facebook.com. User Advertising Specialty Institute's Photos/Videos page. "Double Sided Lip Balm" Posted Feb. 23, 2010. Accessed on Aug. 13, 2015 (<https://www.facebook.com/photo.php?pid=11109425&op=1&o=global&view=global&subj=55248546043&id=566225467&fbid=10150094712230468>).*

(Continued)

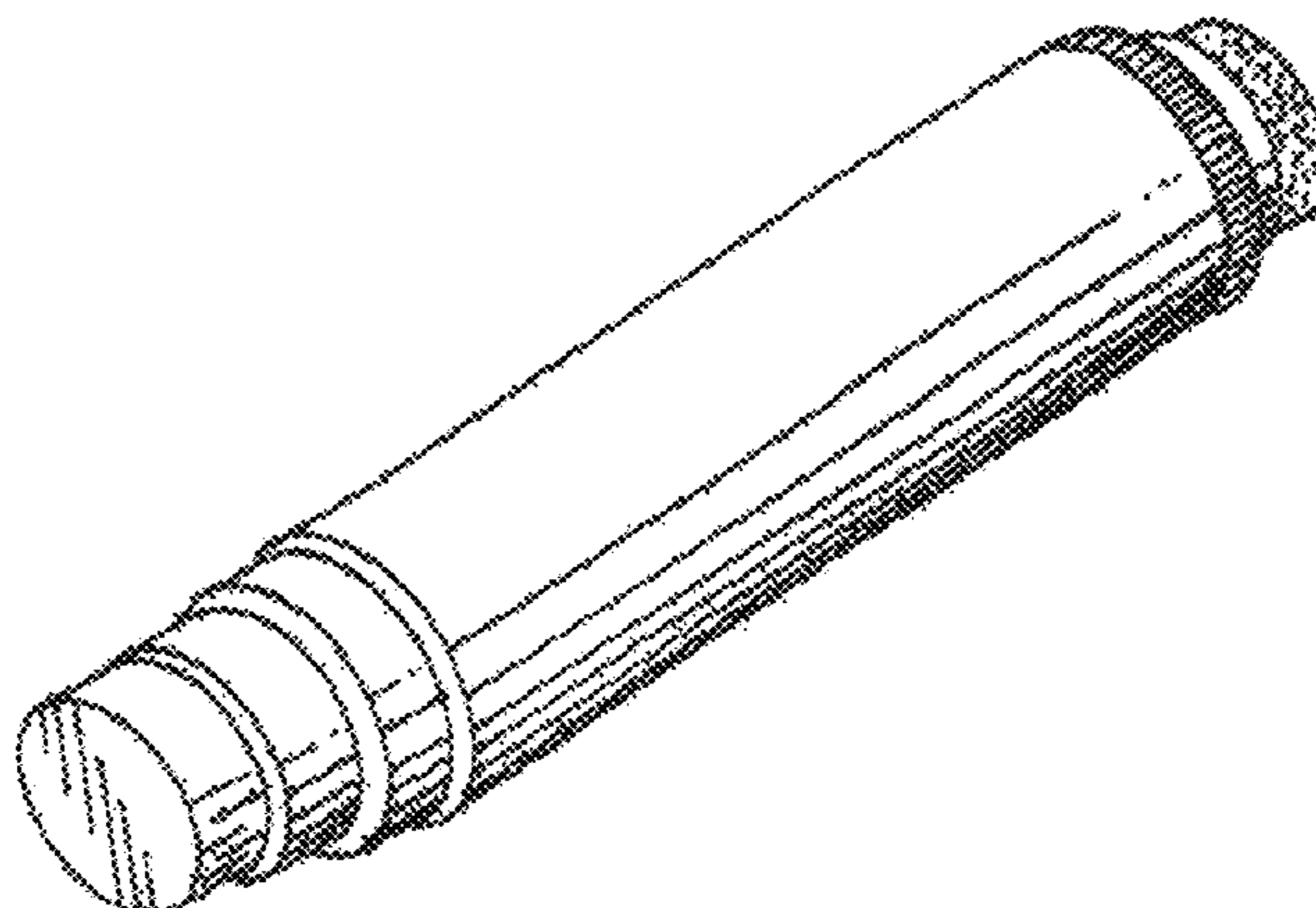
Primary Examiner — Jennifer Rivard
Assistant Examiner — April Rivas
(74) *Attorney, Agent, or Firm* — Rodgers & Rodgers

(57) **CLAIM**
The ornamental design for a lip balm container, as shown and described.

DESCRIPTION

FIG. 1 is a perspective view of a lip balm container showing my new design;
FIG. 2 is a front elevational view thereof, the top, bottom and rear being the same in appearance;
FIG. 3 is a left-side elevational view thereof;
FIG. 4 is a right-side elevational view thereof; and,
FIG. 5 is a perspective view showing the removable caps.
The lip balm container is disclosed without the removable caps in FIGS. 1-4 for convenience of illustration.

1 Claim, 1 Drawing Sheet



(56)

References Cited

U.S. PATENT DOCUMENTS

D697,807	S	*	1/2014	Servaire	D9/504
D703,060	S	*	4/2014	Okulla	D9/529
8,967,896	B2	*	3/2015	Johnson et al.	401/130
2011/0150558	A1	*	6/2011	Bissah et al.	401/262

OTHER PUBLICATIONS

Google image search “double sided lip balm”. Date restricted to results prior Sep. 24, 2013. Accessed on Aug. 13, 2015. (https://www.google.com/search?q=double+sided+lip+balm&es_sm=122)

&biw=1920&bih=1067&source=Int&tbs=cdr%3A1%2Ccd_min%3A%2Ccd_max%3A9%2F24%2F2013&tbm=isch#imgcr=Url8qbUI4Tt7IM%3A).*
Musings of a Muse Blog. “Hard Candy Hide & Glow Cheek Duo Cheek Tint Hot Date Review, Swatches, Photos” Posted Oct. 25, 2010. Accessed Aug. 13, 2015. (<http://www.musingsofamuse.com/2010/10/hard-candy-hide-glow-cheek-duo-cheek-tint-hot-date-review-swatches-photos.html>).*
Beauty Judy Blog. “ChapStick MixStix—and Giveaway!” Posted Aug. 14, 2013. Accessed Aug. 13, 2015. (<http://beautyjudy.com/2013/08/chapstick-mixstix/>).*

* cited by examiner

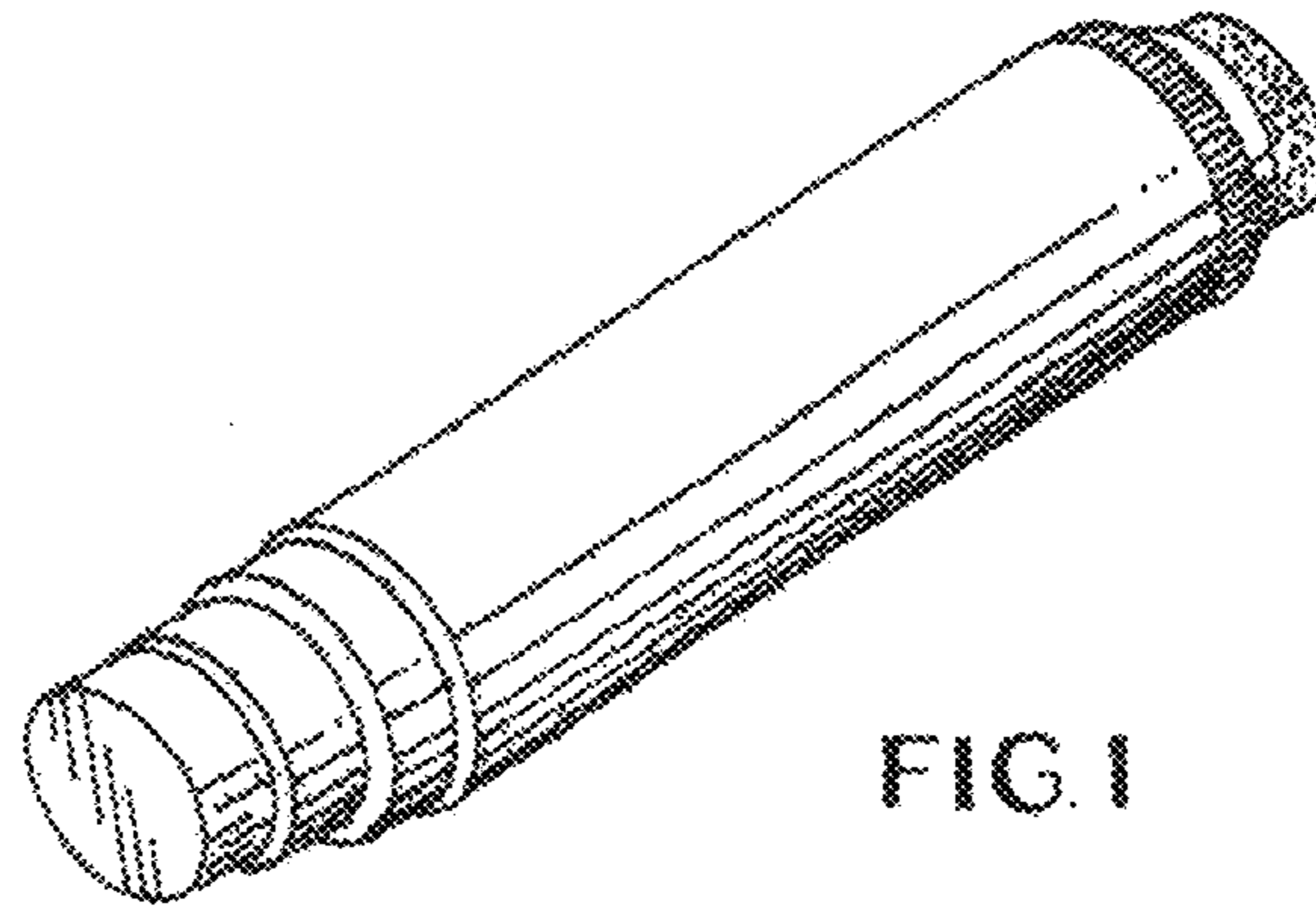


FIG. 1

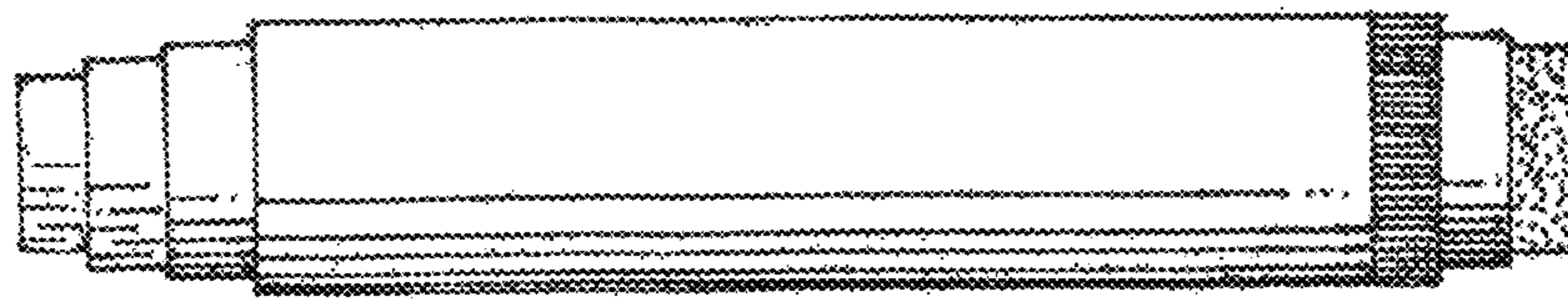


FIG. 2

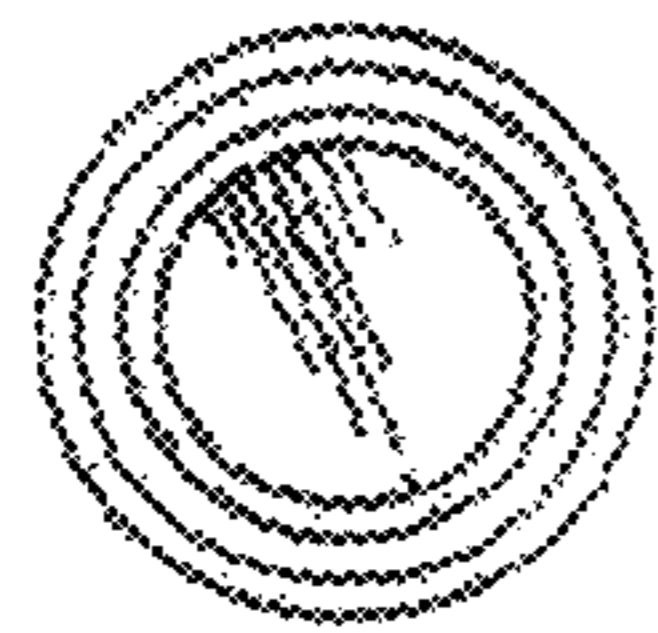


FIG. 3

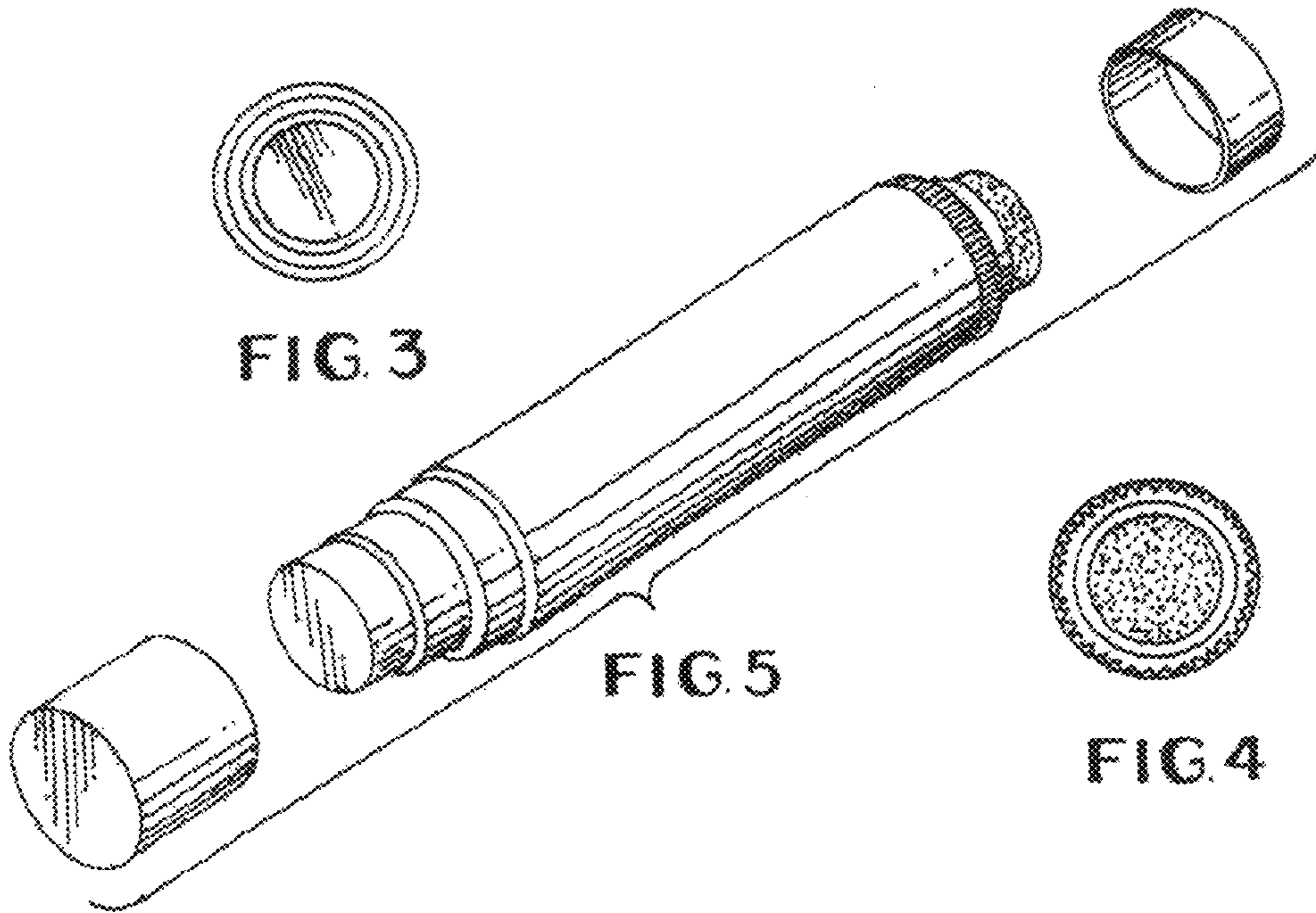


FIG. 5

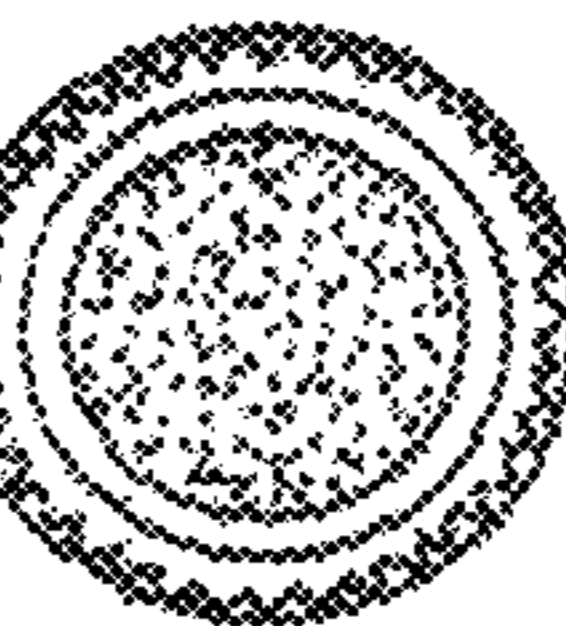


FIG. 4