



US00D745740S

(12) **United States Design Patent**
Chen

(10) **Patent No.:** **US D745,740 S**

(45) **Date of Patent:** **** Dec. 15, 2015**

- (54) **HAIR STYLING TOOL**
- (71) Applicant: **YUMARK ENTERPRISES CORP.**,
Taipei (TW)
- (72) Inventor: **Ming-Hung Chen**, Taipei (TW)
- (73) Assignee: **YUMARK ENTERPRISES CORP.**,
Taipei (TW)
- (**) Term: **14 Years**
- (21) Appl. No.: **29/490,345**
- (22) Filed: **May 8, 2014**
- (51) **LOC (10) Cl.** **28-03**
- (52) **U.S. Cl.**
USPC **D28/10**
- (58) **Field of Classification Search**
USPC D28/10, 39-43; D3/26
CPC A45D 8/34; A45D 2002/003-2002/008;
A45D 2/00; A45D 2/10
See application file for complete search history.

5,819,761	A *	10/1998	Sloan	A45D 2/00 132/210
6,276,368	B1 *	8/2001	Giamalva	A45D 8/36 132/201
6,427,701	B1 *	8/2002	Roth	A45D 2/20 132/212
6,601,590	B2 *	8/2003	Neary	A45D 8/34 132/200
D492,446	S *	6/2004	Srivastava	D28/10
D515,739	S *	2/2006	Washington	D28/39
7,011,097	B2 *	3/2006	Srivastava	A45D 8/34 132/200
7,284,557	B1 *	10/2007	Williams	A45D 24/00 132/212
D555,833	S *	11/2007	Stotts	D28/10
D560,850	S *	1/2008	James	D28/10
8,851,086	B2 *	10/2014	Stachowski	A45D 8/34 132/200
9,027,571	B2 *	5/2015	Baker	A45D 19/00 132/212
2003/0188759	A1 *	10/2003	Srivastava	A45D 8/34 132/210
2005/0016560	A1 *	1/2005	Voughlohn	A45D 8/20 132/273

* cited by examiner

Primary Examiner — Jennifer Rivard
(74) *Attorney, Agent, or Firm* — Li&Cai Intellectual
Property (USA) Office

(56) **References Cited**

U.S. PATENT DOCUMENTS

440,812	A *	11/1890	Keats	242/118
1,504,791	A *	8/1924	Siegel	A45D 2/145 132/245
2,430,766	A *	11/1947	Gregory	A45D 2/10 132/245
2,513,097	A *	6/1950	Klotkowski	A45D 2/10 132/245
2,515,751	A *	7/1950	Warrington	A45D 2/10 132/245
2,712,943	A *	7/1955	Morrison	G11B 3/60 369/290.1
2,796,069	A *	6/1957	Mooney, Jr.	A45D 8/34 132/273
5,544,666	A *	8/1996	Schach	A45D 8/34 132/200
D388,537	S *	12/1997	Jones	D28/10
5,806,538	A *	9/1998	Keltner	A45D 8/34 132/200
5,810,023	A *	9/1998	Jones	A45D 2/00 132/207

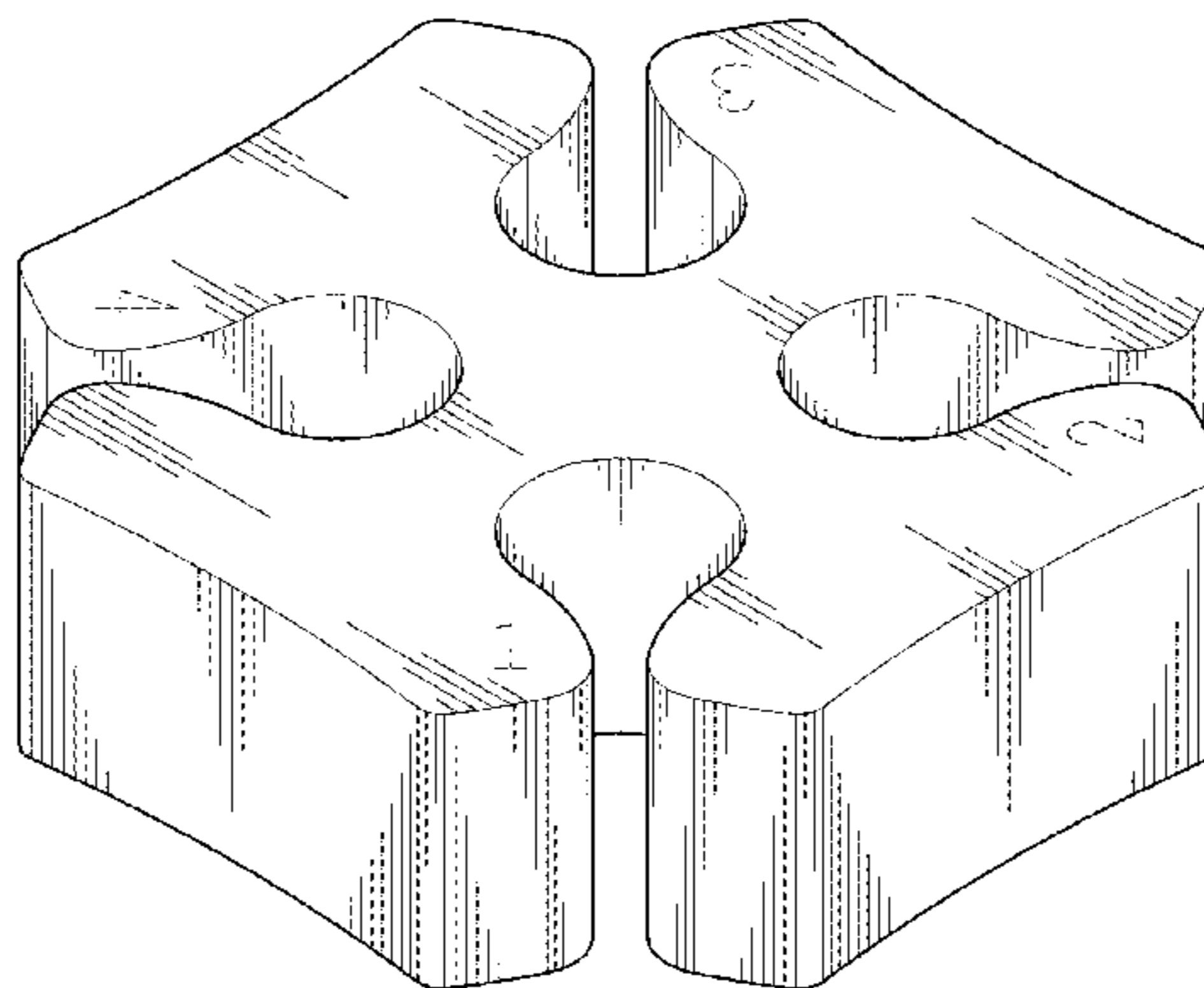
(57) **CLAIM**

The ornamental design for a “hair styling tool,” as shown and described.

DESCRIPTION

FIG. 1 is a perspective view of a hair styling tool showing my new design;
FIG. 2 is a front view thereof;
FIG. 3 is a rear view thereof;
FIG. 4 is a left side view thereof;
FIG. 5 is a right side view thereof;
FIG. 6 is a top view thereof; and,
FIG. 7 is a bottom view thereof.
The broken lines depict portions of the hair styling tool which form no part of the claimed design.

1 Claim, 4 Drawing Sheets



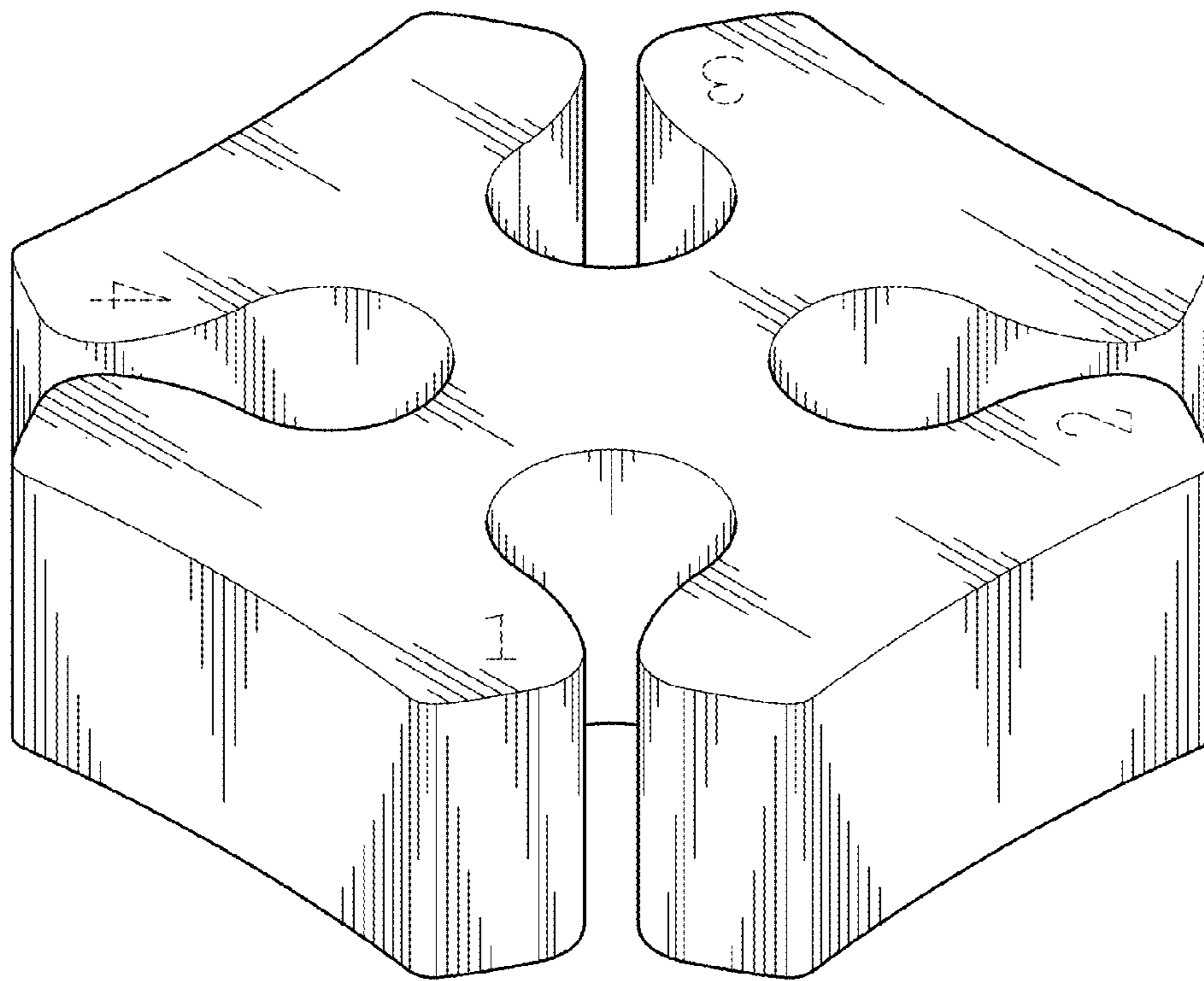


FIG.1

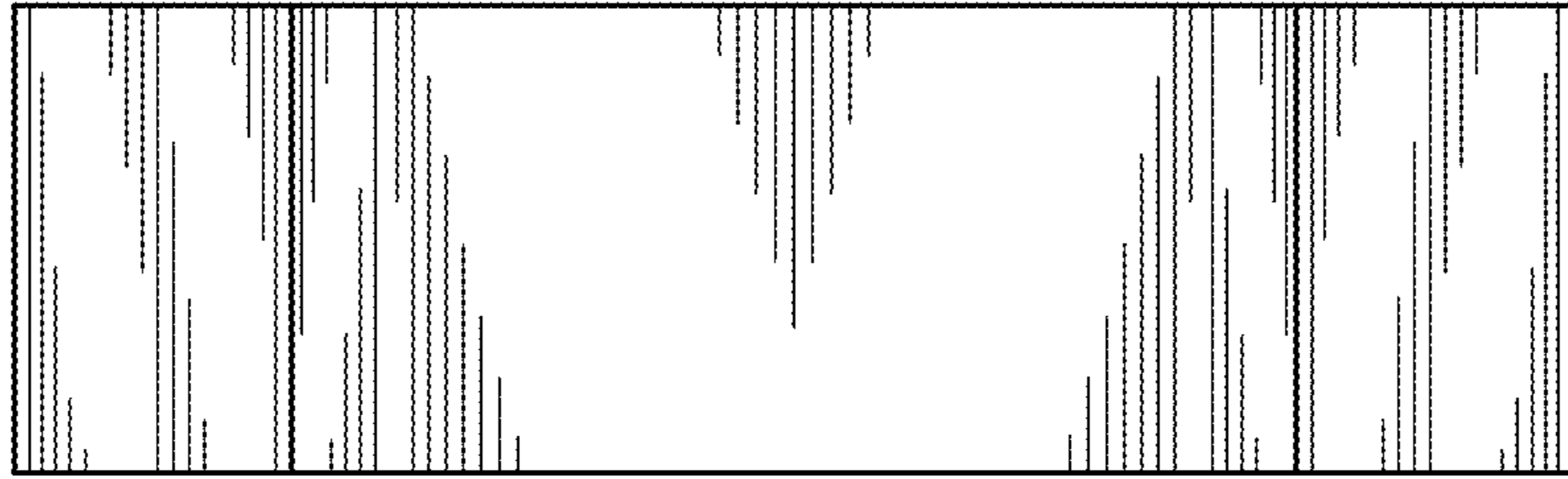


FIG. 2

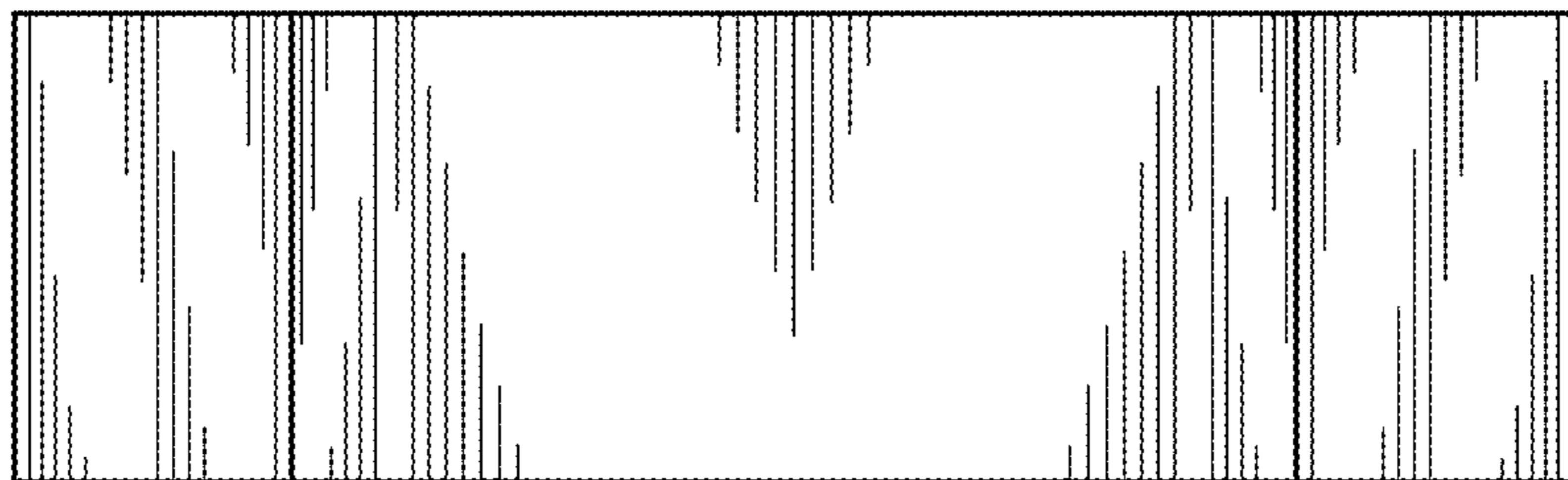


FIG. 3

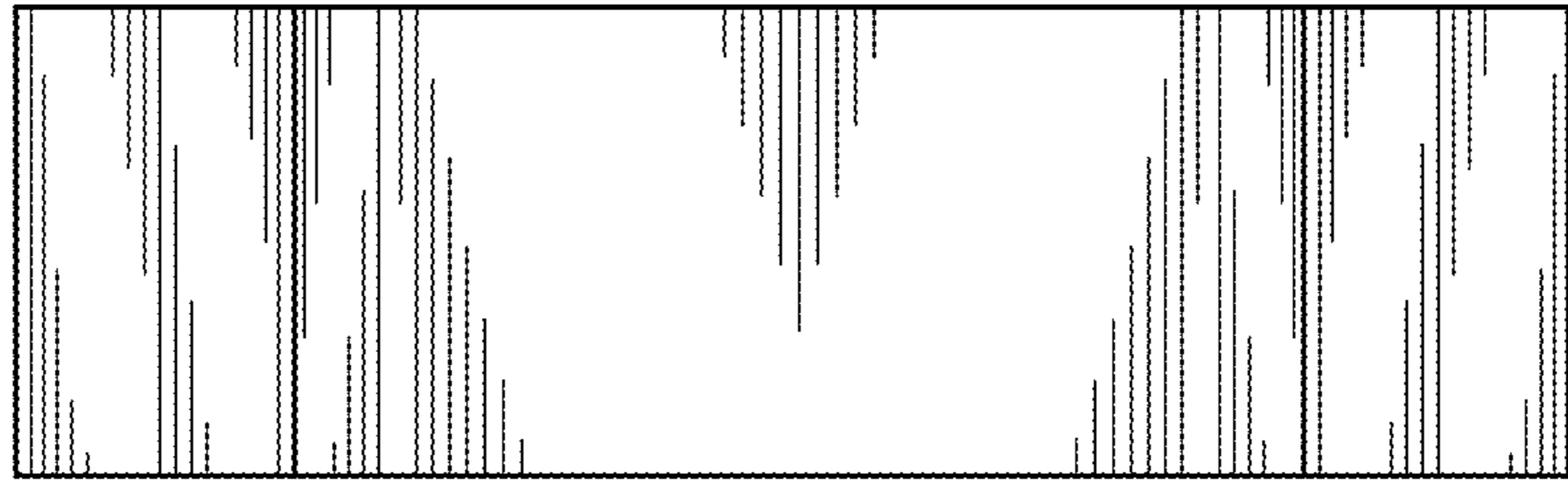


FIG. 4

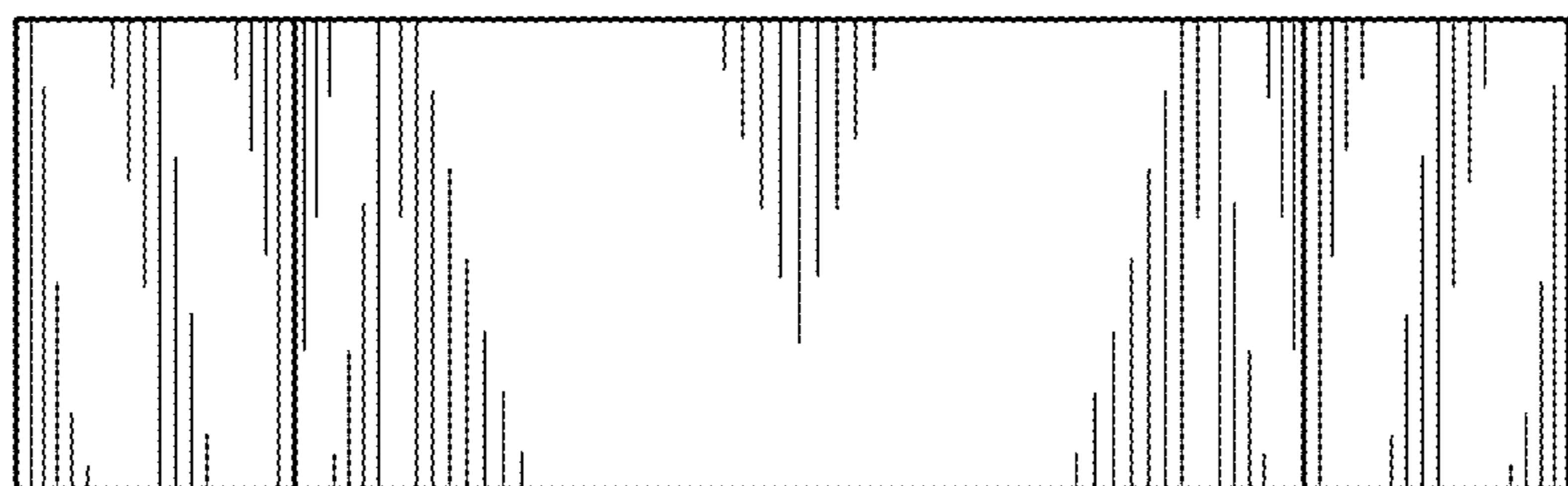


FIG. 5

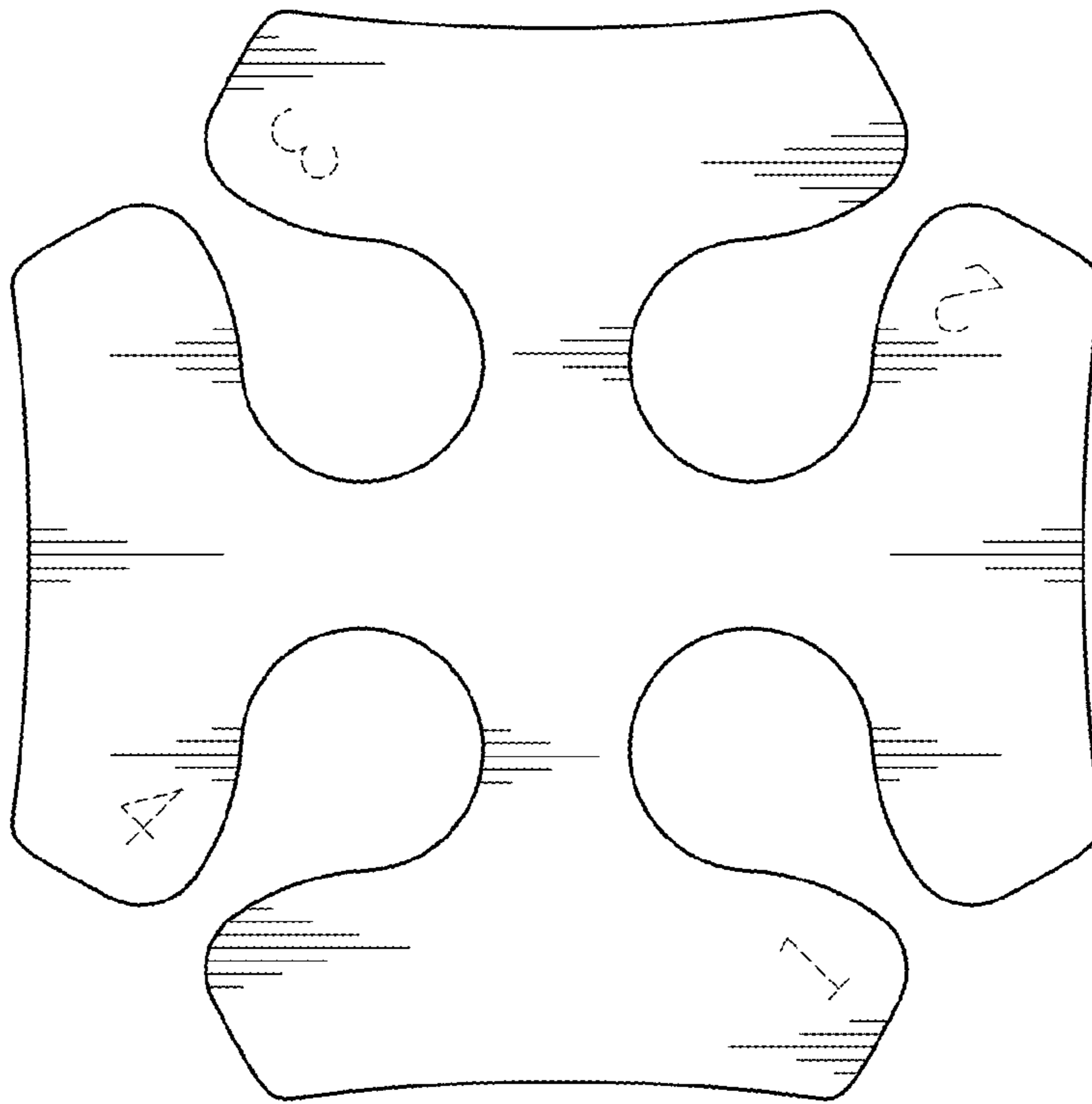


FIG. 6

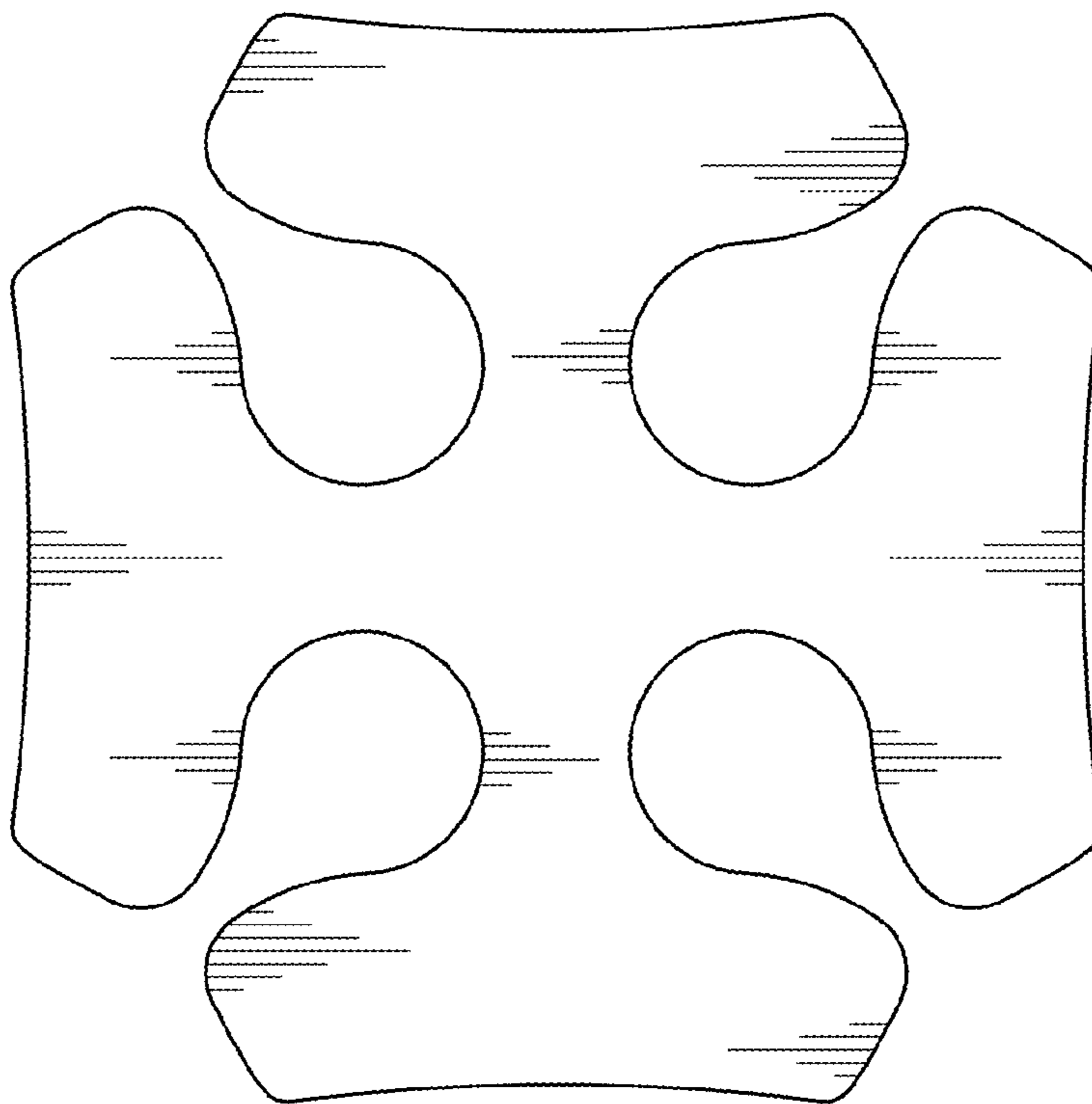


FIG. 7