



US00D745739S

(12) **United States Design Patent**  
**Abadi et al.**

(10) **Patent No.:** **US D745,739 S**

(45) **Date of Patent:** **\*\* Dec. 15, 2015**

(54) **ELECTRONIC HOOKAH**

(71) Applicants: **Michael Abadi**, Aventura, FL (US);  
**David Krevat**, Aventura, FL (US)

(72) Inventors: **Michael Abadi**, Aventura, FL (US);  
**David Krevat**, Aventura, FL (US)

(\*\*) Term: **14 Years**

(21) Appl. No.: **29/511,224**

(22) Filed: **Dec. 8, 2014**

(51) **LOC (10) Cl.** ..... **27-02**

(52) **U.S. Cl.**  
USPC ..... **D27/162; D7/507; D7/316**

(58) **Field of Classification Search**  
USPC ..... D27/162-169; 131/173, 178, 214, 222,  
131/226, 329, 330; 215/370; D9/500-504,  
D9/516, 519, 557, 558; D23/360, 366;  
D7/309, 310, 311, 316, 507, 598  
CPC ..... A24F 1/00; A24F 1/30; A24F 1/32;  
A24F 3/00; A24F 5/00; A24F 7/00; A24F  
9/00; A24F 9/14  
See application file for complete search history.

(56) **References Cited**

**U.S. PATENT DOCUMENTS**

2,757,524	A *	8/1956	Witten	.....	A47G 19/06 220/23.83
D224,034	S *	6/1972	Douglas	.....	D7/318
4,029,109	A *	6/1977	Kahler	.....	A24F 1/30 131/173
D535,559	S *	1/2007	Kehoe	.....	D9/440
D536,205	S *	2/2007	Jensen	.....	D7/300
D567,005	S *	4/2008	Bodum	.....	D7/312
D567,008	S *	4/2008	Bodum	.....	D7/312
D612,659	S *	3/2010	Kehoe	.....	D7/316

D637,445	S *	5/2011	Chung	.....	D7/312
D673,726	S *	1/2013	Cartwright	.....	D26/142
D729,443	S *	5/2015	Mehio	.....	D27/162

**OTHER PUBLICATIONS**

Square E-Head Electronic Hookah Bowl. Dec. 7, 2014. <https://www.hookah-shisha.com/p-17305-square-e-head.html>, HookahShisha.com.

E Hookah Electronic Cigarettes. May 19, 2014. <http://www.ehookahbrand.com/>, E Hookah LLC.

The Blow Electronic Hookah. Dec. 7, 2014. <http://www.smoking-hookah.com/e-hookahs/blow-e-hookah/the-blow-electronic-hookah.html#>, Smoking-Hookah.com.

Electronic Hookah Pod—Our eShisha Mod. Dec. 7, 2014. <http://www.180smoke.com/collections/electronic-shisha-hookah-nargile/products/electronic-hookah-our-first-eshisha>, 180 Smoke, LLC.

\* cited by examiner

*Primary Examiner* — Elizabeth Albert

(74) *Attorney, Agent, or Firm* — Brooklyn Law IP Clinic;  
Serge Krimnus; Suzanne A. Mourad

(57) **CLAIM**

The ornamental design for an electronic hookah, as shown and described.

**DESCRIPTION**

FIG. 1 is a perspective view an electronic hookah showing our new design;

FIG. 2 is a front view of our new electronic hookah.

FIG. 3 is a rear view of our new electronic hookah.

FIG. 4 is a right side view of our new electronic hookah.

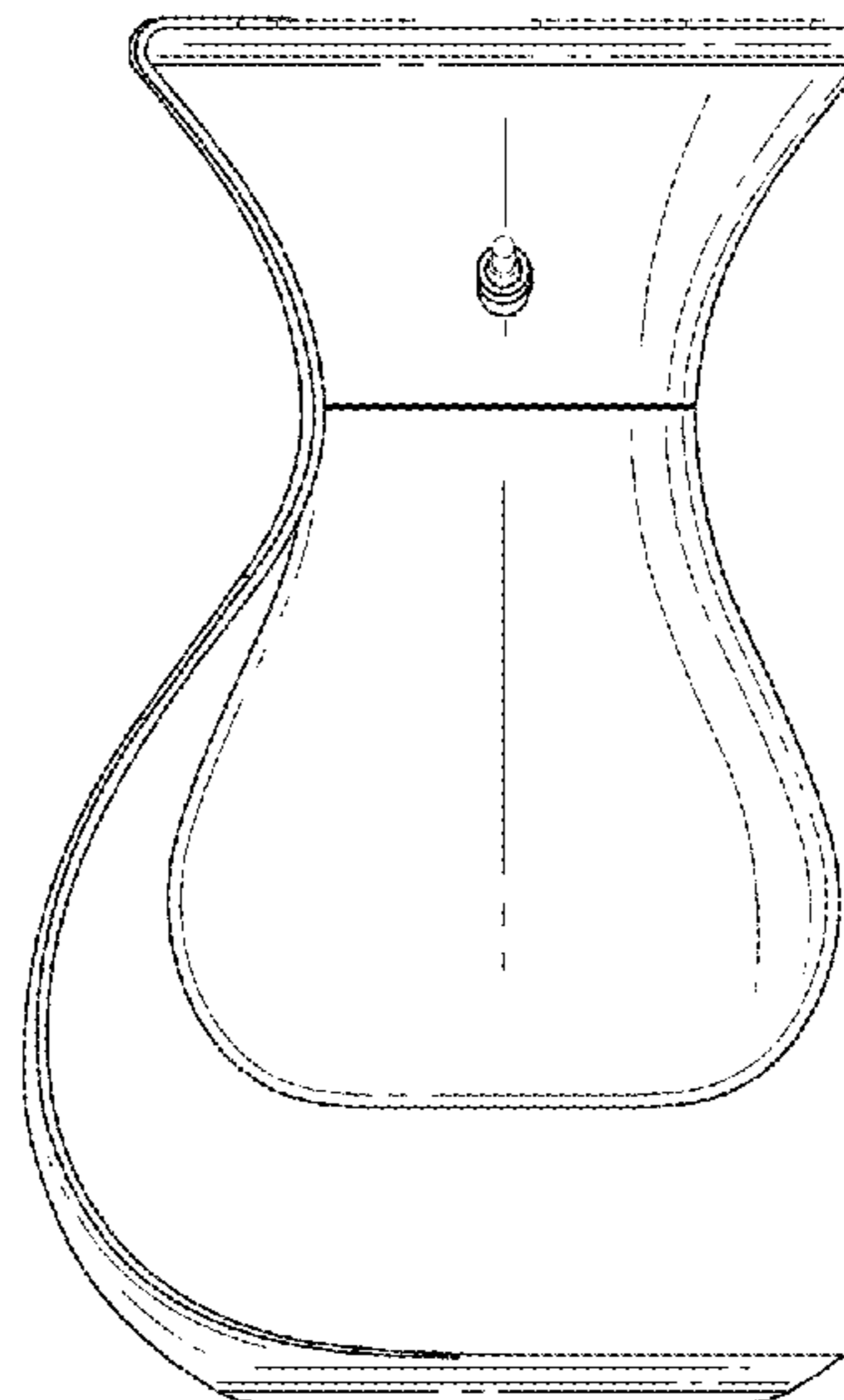
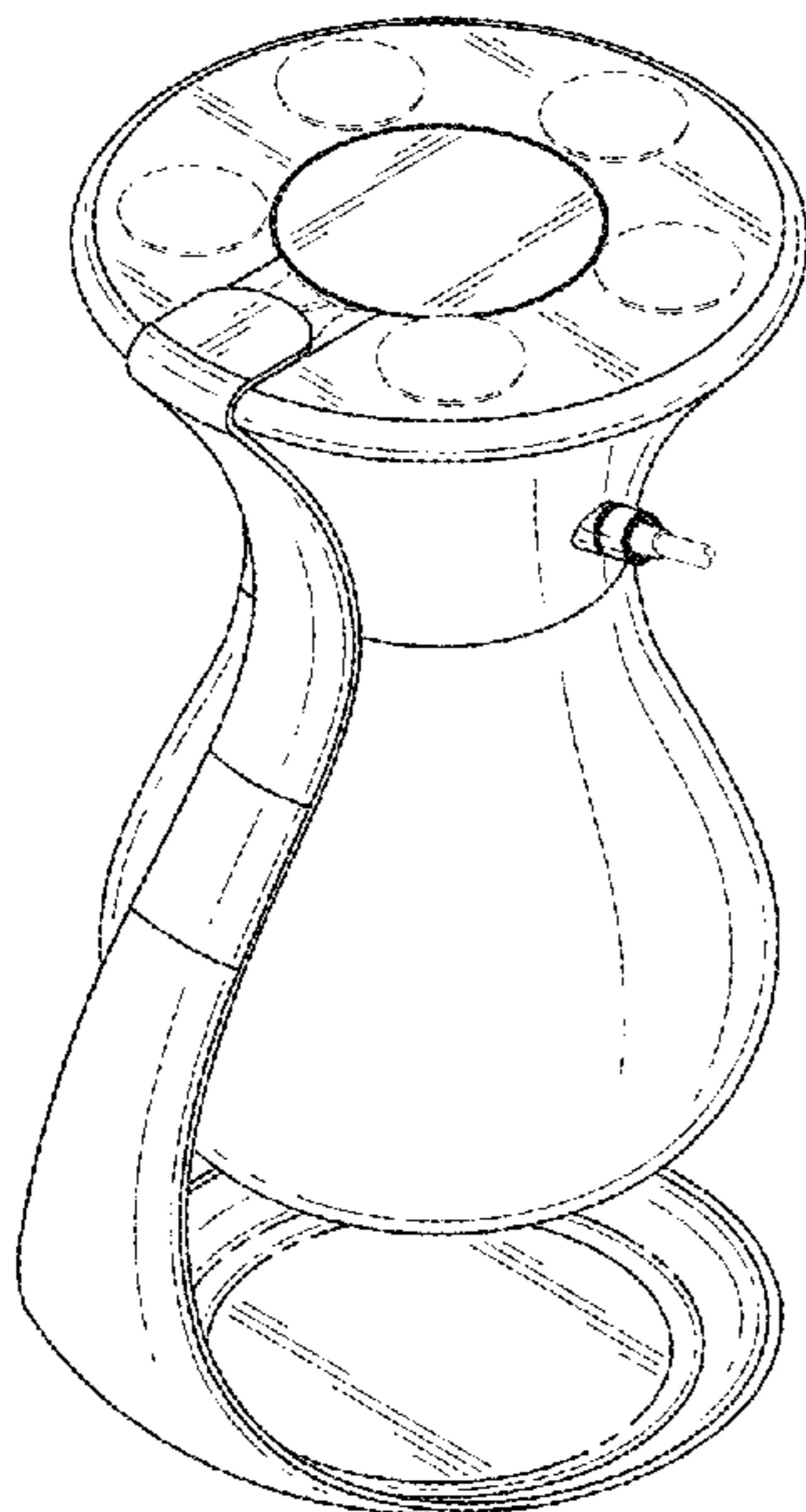
FIG. 5 is a left side view of our new electronic hookah.

FIG. 6 is a top view of our new electronic hookah; and,

FIG. 7 is a bottom view of our new electronic hookah.

The broken lines shown in FIGS. 1-7 are included to show portions of the electronic hookah that form no part of the claimed design.

**1 Claim, 2 Drawing Sheets**



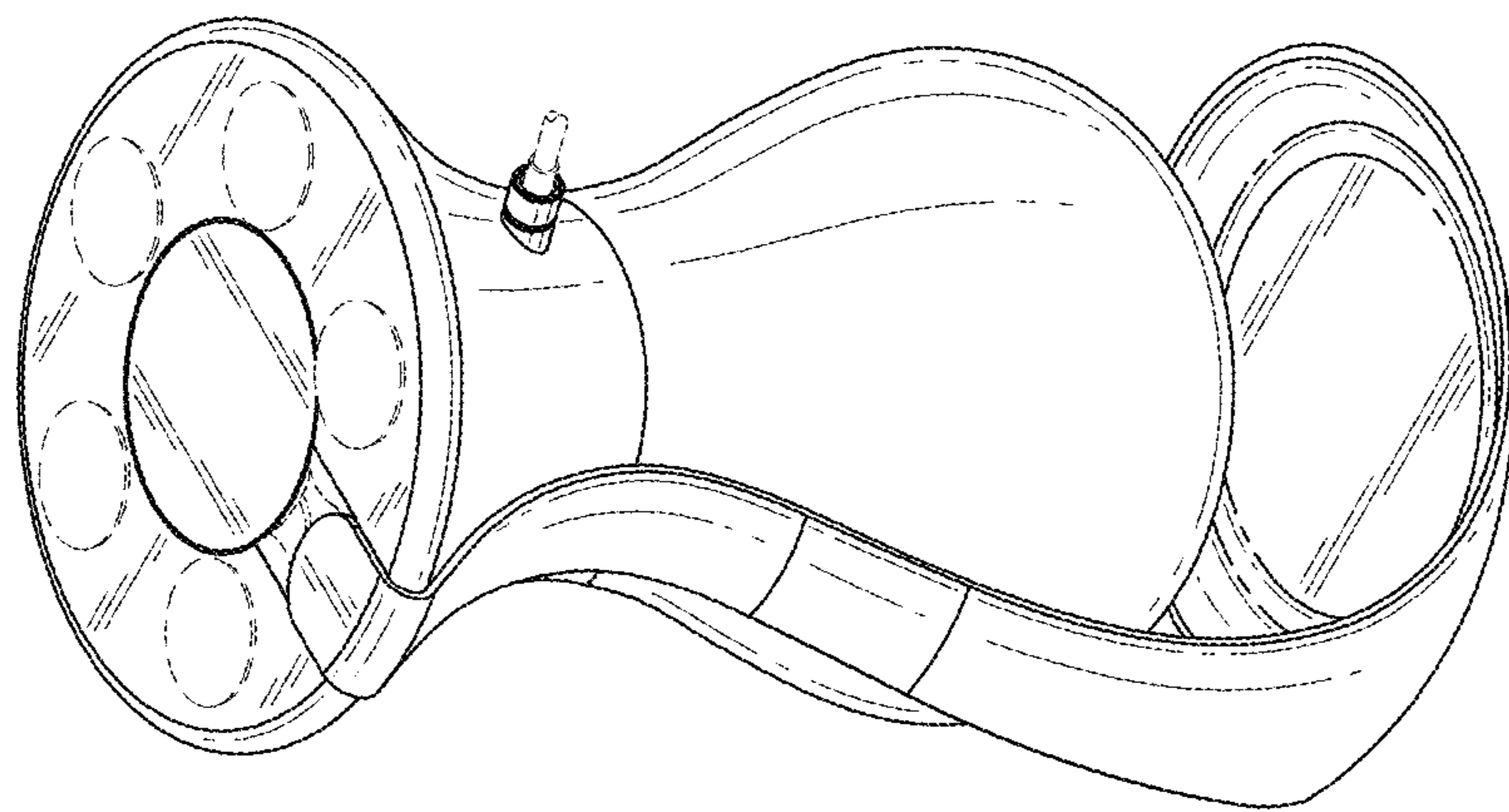


FIG. 1

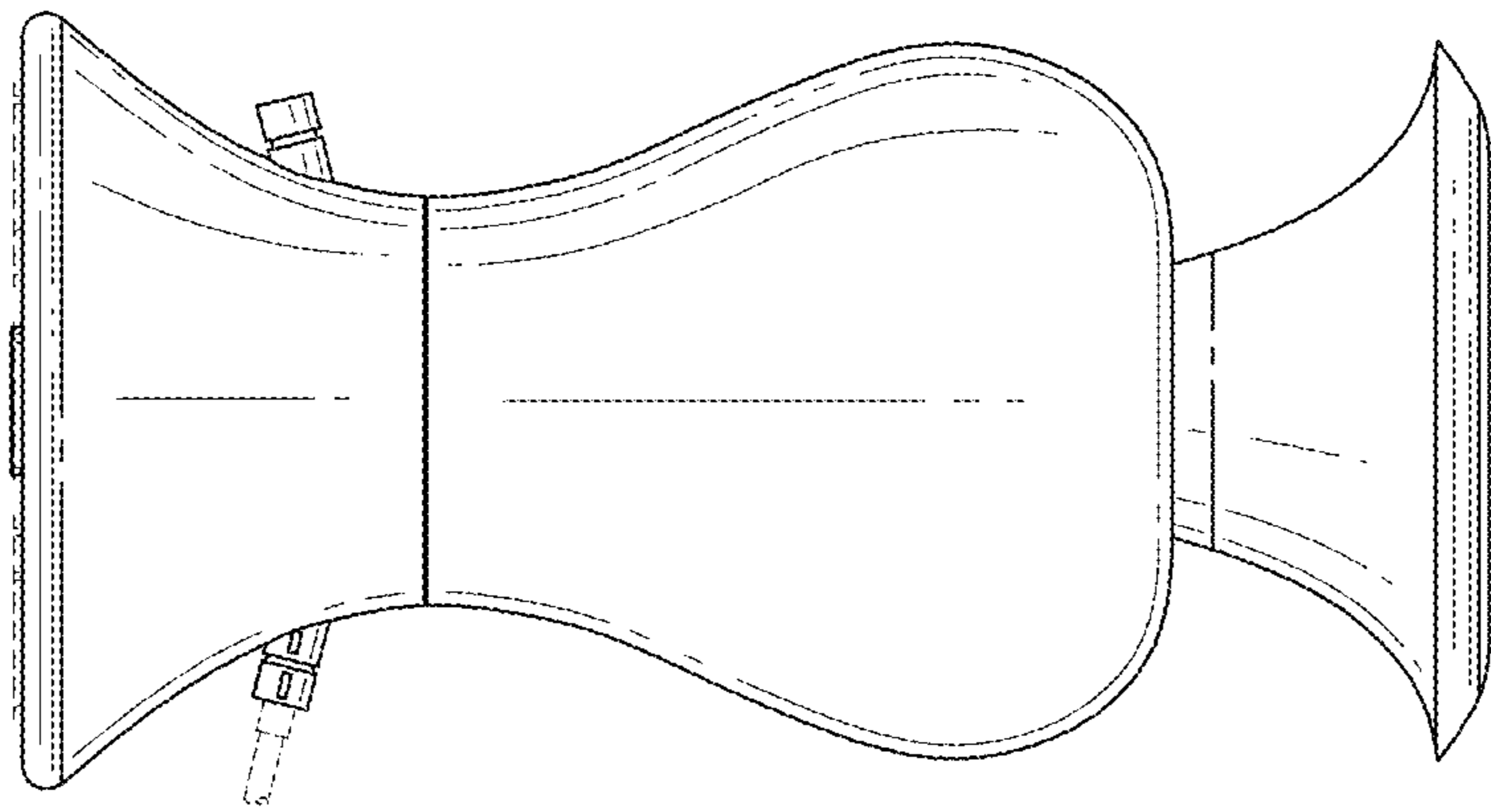


FIG. 2

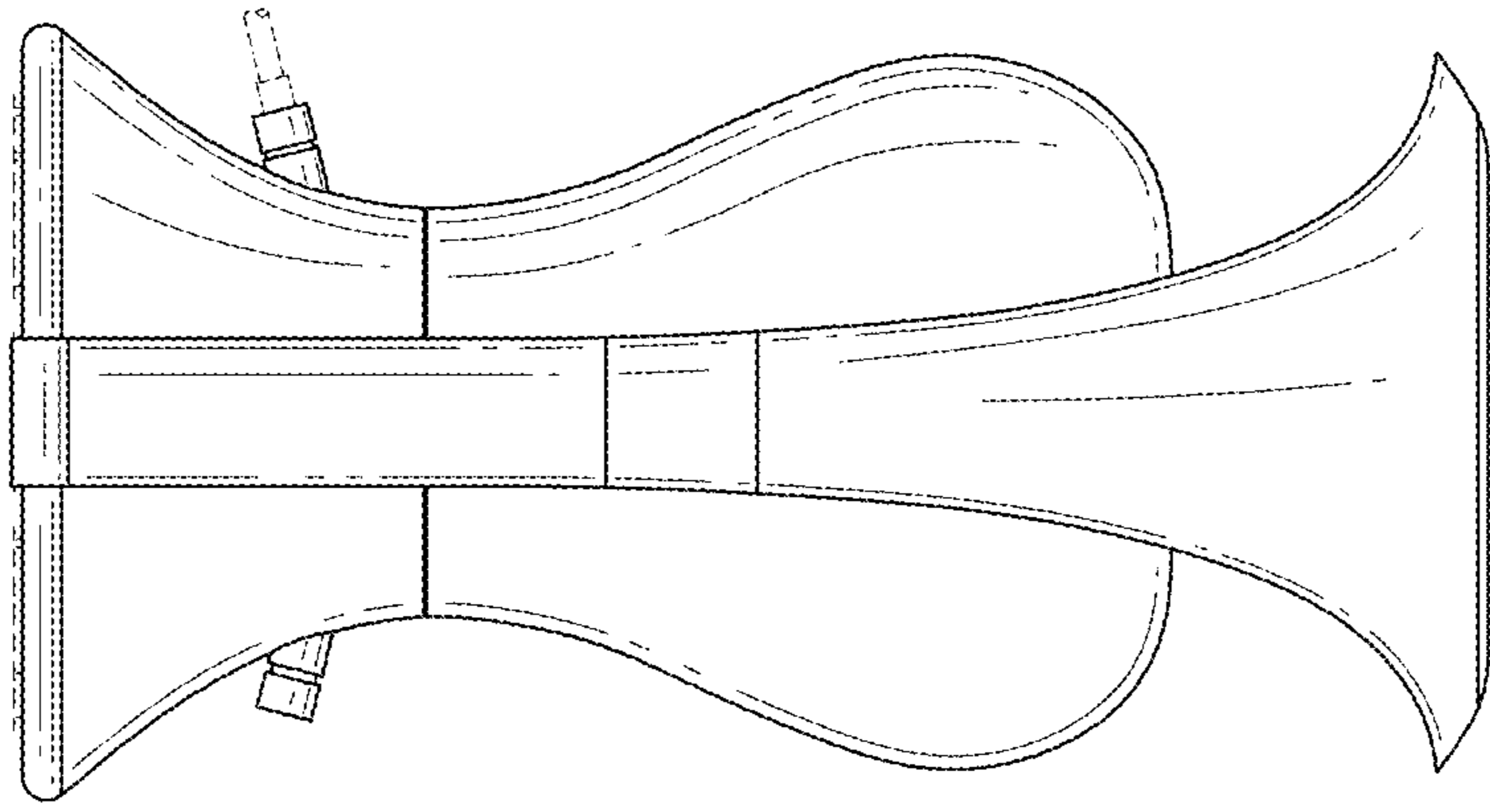


FIG. 3

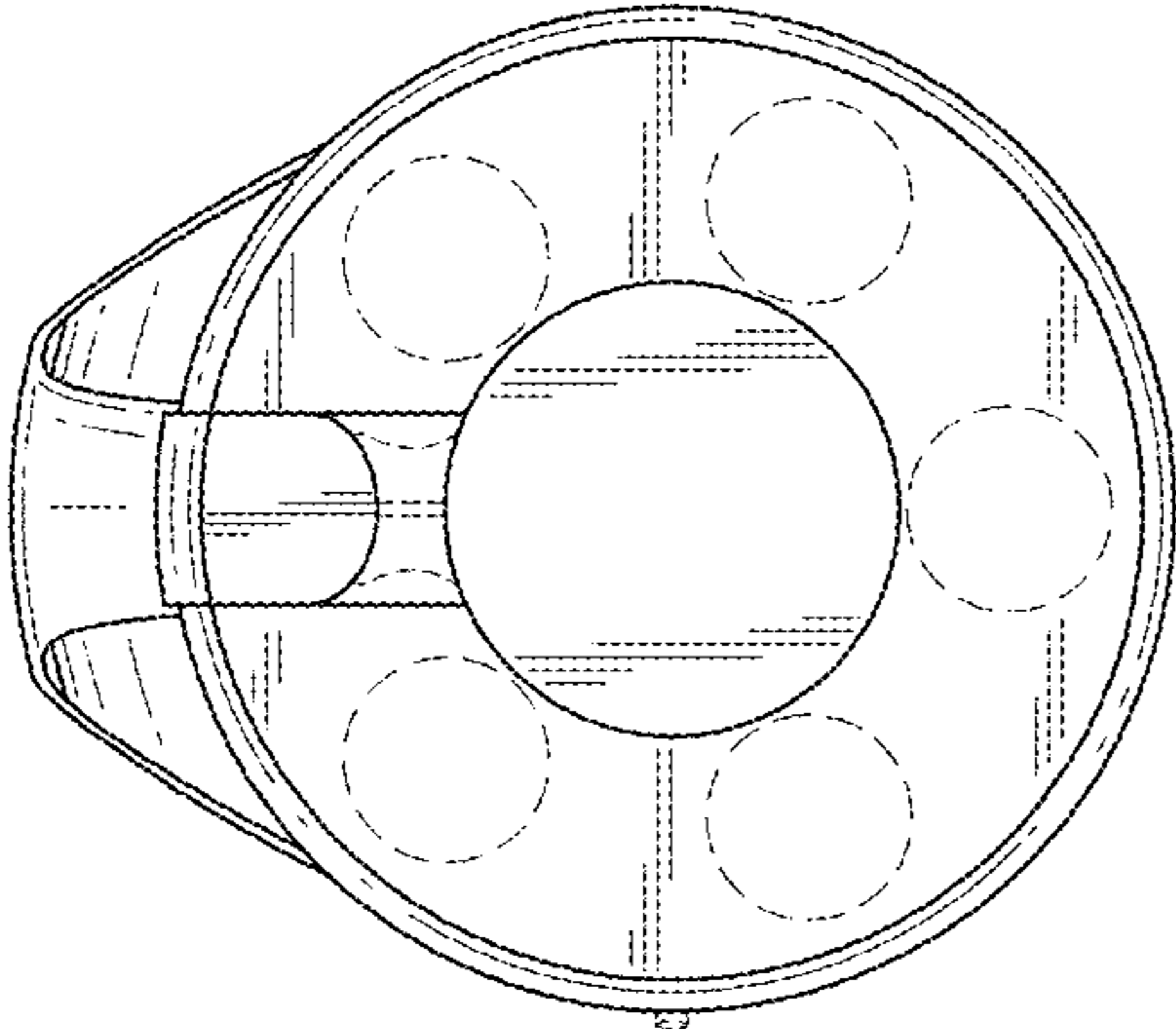


FIG. 6

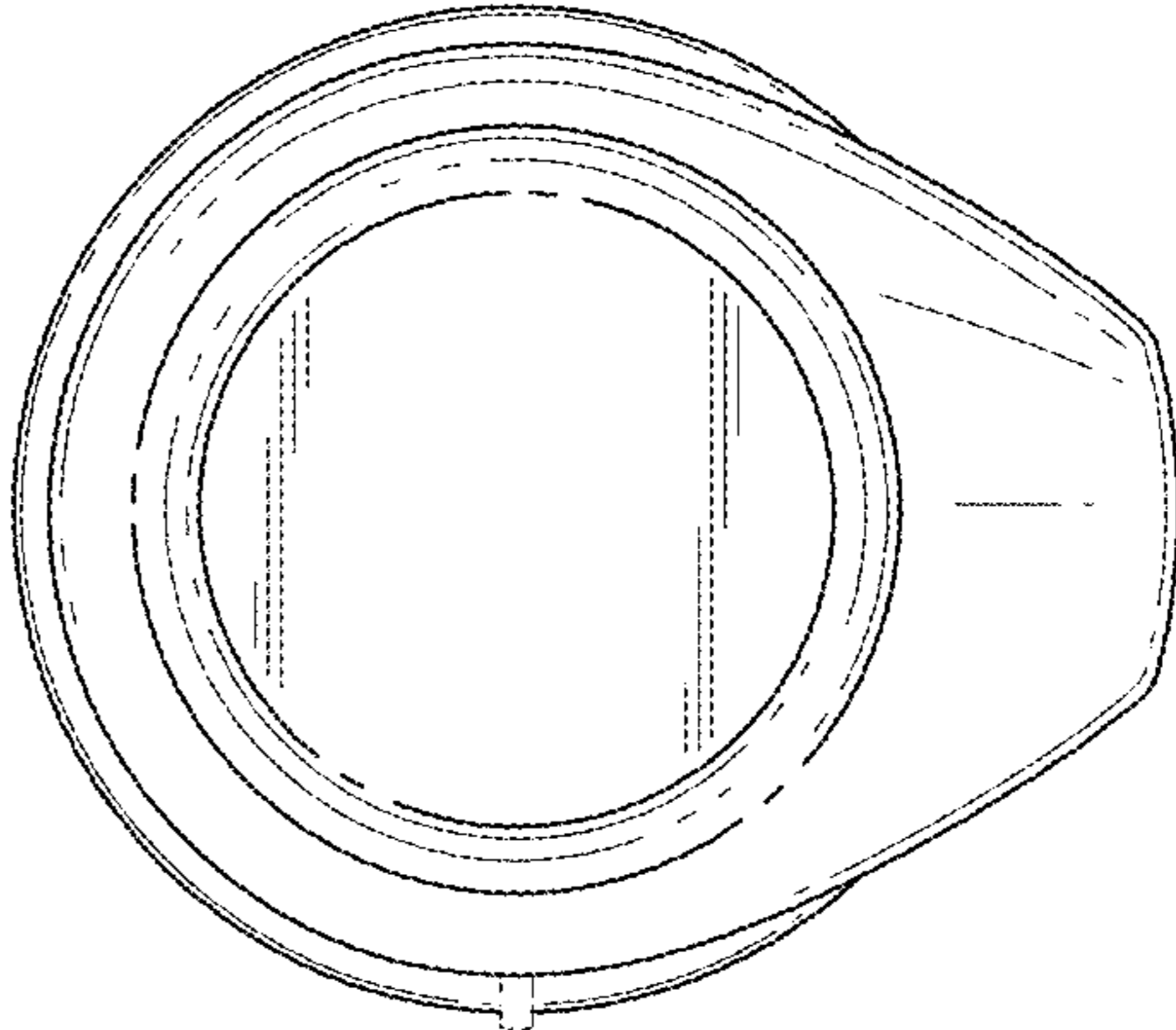


FIG. 7

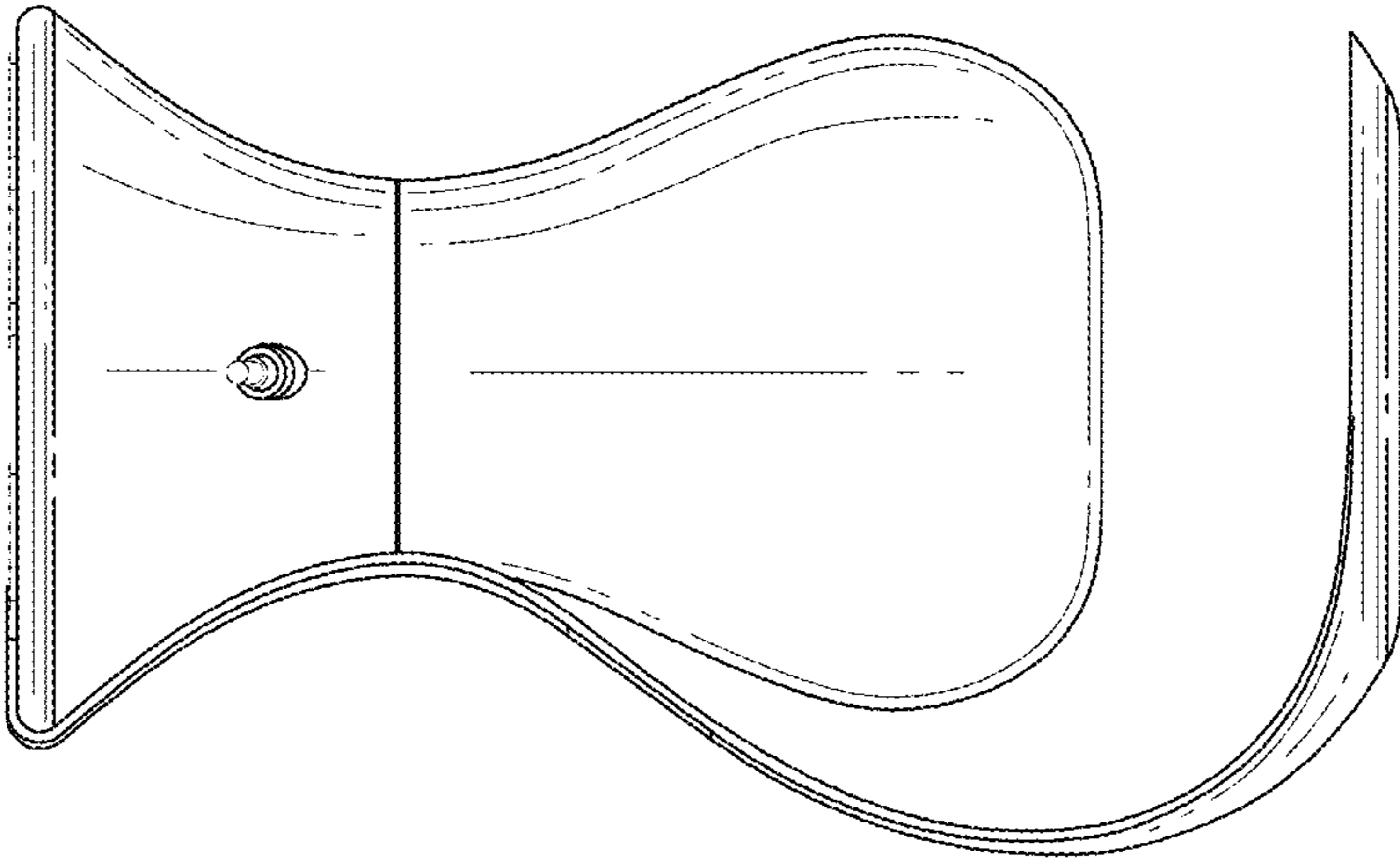


FIG. 5

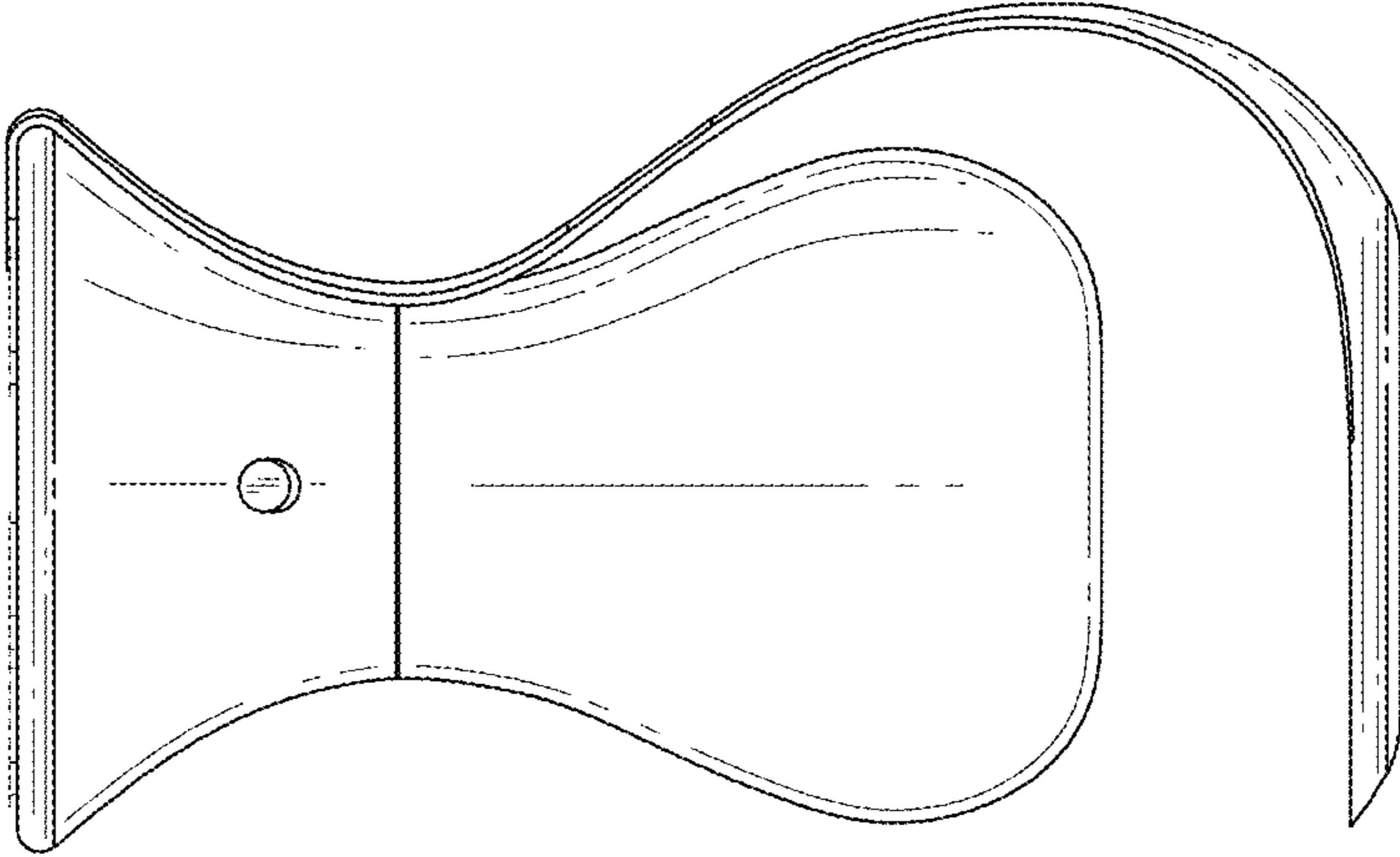


FIG. 4