



US00D745737S

(12) **United States Design Patent**
Stuckey

(10) **Patent No.:** **US D745,737 S**

(45) **Date of Patent:** **** Dec. 15, 2015**

(54) **ADJUSTABLE LIGHT STAND**

(71) Applicant: **Carl Stuckey**, Hilton Head Island, SC
(US)

(72) Inventor: **Carl Stuckey**, Hilton Head Island, SC
(US)

(**) Term: **14 Years**

(21) Appl. No.: **29/478,410**

(22) Filed: **Jan. 4, 2014**

(51) **LOC (10) Cl.** **26-99**

(52) **U.S. Cl.**
USPC **D26/138**

(58) **Field of Classification Search**
USPC D26/76, 78, 79, 80, 81, 82, 83, 85, 86,
D26/88, 90, 113, 118, 119, 120, 121, 122,
D26/138, 139, 140, 141, 142; 362/23.07,
362/23.09, 23.16, 217.01, 217.02, 217.05,
362/217.08, 217.09, 218, 249.02, 260,
362/311.02, 555, 612, 614, 800
CPC F21S 2/00; F21S 4/00; F21S 4/003;
F21S 4/005; F21S 4/006; F21S 4/007; F21S
4/008; F21S 6/00; F21S 8/00; F21S 8/024;
F21S 8/026; F21S 8/031; F21S 8/033; F21S
8/035-8/037; F21S 8/04; F21S 8/043; F21S
8/063

See application file for complete search history.

(56) **References Cited**

U.S. PATENT DOCUMENTS

1,656,777	A *	1/1928	Dennis	392/422
D202,372	S *	9/1965	Deskey et al.	D26/69
D275,895	S *	10/1984	Dietzen	D26/61
4,803,606	A	2/1989	Rotter		
5,448,464	A *	9/1995	Moss	362/401
5,675,417	A	10/1997	Jenkins et al.		
5,818,593	A	10/1998	Ventura		

6,019,484	A *	2/2000	Seyler	362/287
6,854,862	B1	2/2005	Hopf		
7,153,005	B2	12/2006	Rodriquez et al.		
D598,156	S *	8/2009	Xiao et al.	D26/71
D616,586	S *	5/2010	Sabernig	D26/63
D624,689	S *	9/2010	Kao	D26/102
8,172,421	B2 *	5/2012	Emmert	362/220
8,322,877	B1 *	12/2012	Merritt	362/220
D724,253	S *	3/2015	Anastassiades	D26/93

* cited by examiner

Primary Examiner — George D Kirschbaum

Assistant Examiner — Natasha Vujcic

(74) *Attorney, Agent, or Firm* — QuickPatents; Kevin Prince

(57) **CLAIM**

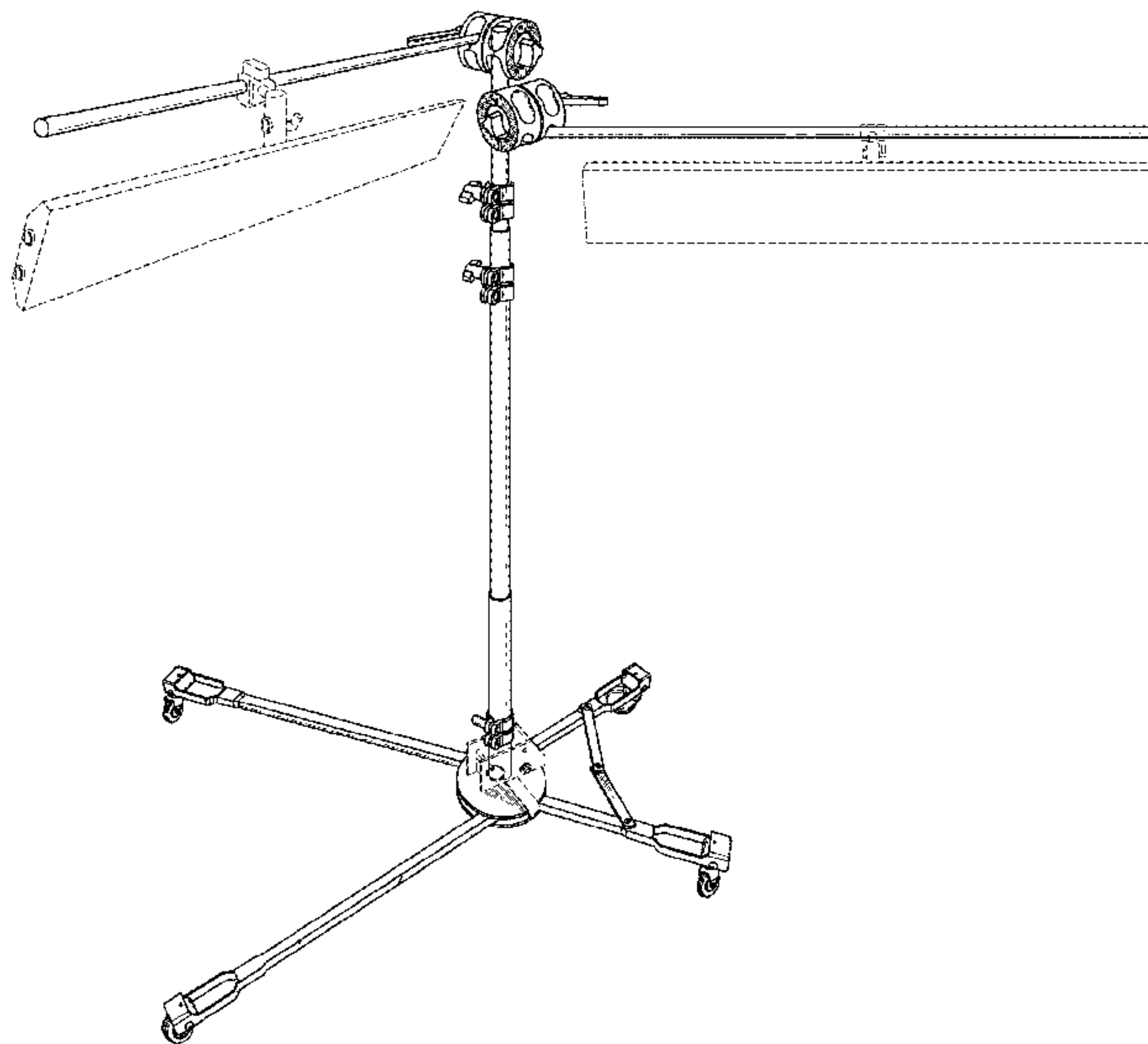
I claim the ornamental design for an adjustable light stand, as shown and described.

DESCRIPTION

FIG. 1 is a perspective view of an adjustable light stand, showing my new design in an extended position; FIG. 2 is a left-side elevational view of FIG. 1; FIG. 3 is a right-side elevational view of FIG. 1; FIG. 4 is a front elevational view of FIG. 1; FIG. 5 is a rear elevational view of FIG. 1; FIG. 6 is a top plan view of FIG. 1; FIG. 7 is a bottom plan view of FIG. 1; FIG. 8 is a perspective view thereof, illustrated in an alternate position; FIG. 9 is a left-side elevational view of FIG. 8; FIG. 10 is a right-side elevational view of FIG. 8; FIG. 11 is a front elevational view of FIG. 8; FIG. 12 is a rear elevational view of FIG. 8; FIG. 13 is a top plan view of FIG. 8; and, FIG. 14 is a bottom plan view of FIG. 8.

The broken line showing of attachable lights in FIG. 1 is included for the purpose of illustrating portions of the “article” and forms no part of the claimed design.

1 Claim, 6 Drawing Sheets



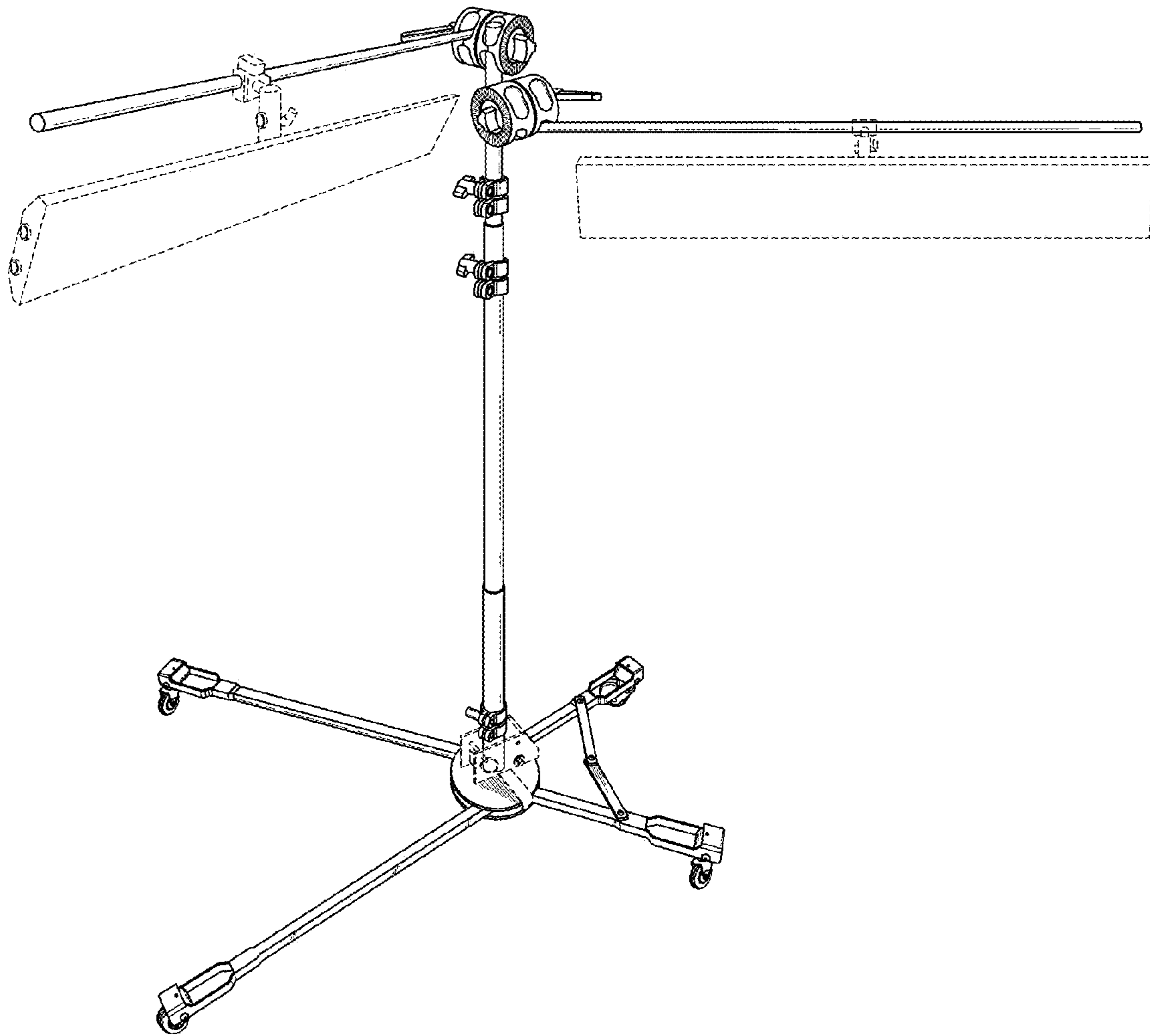


FIG. 1

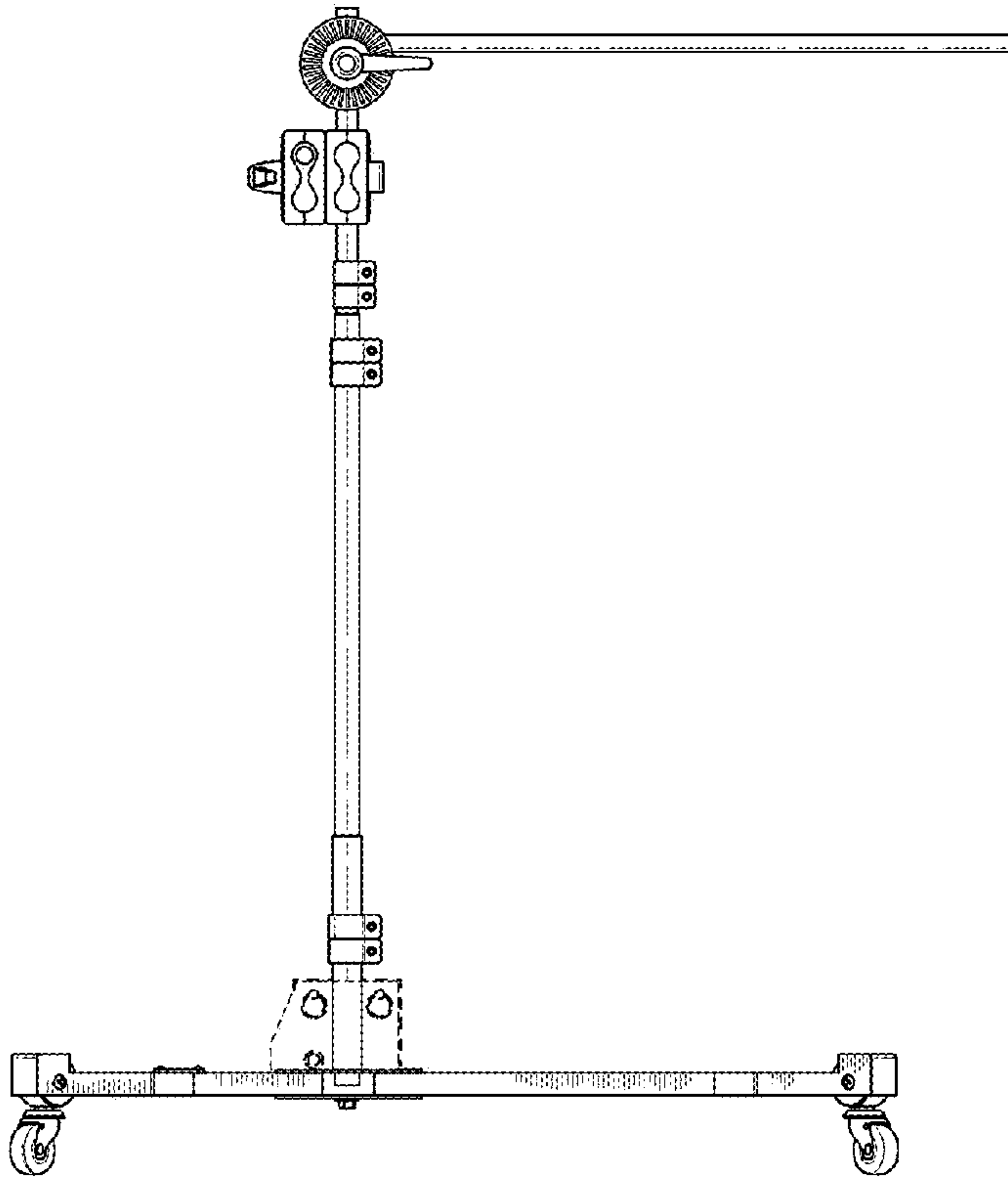


FIG. 2

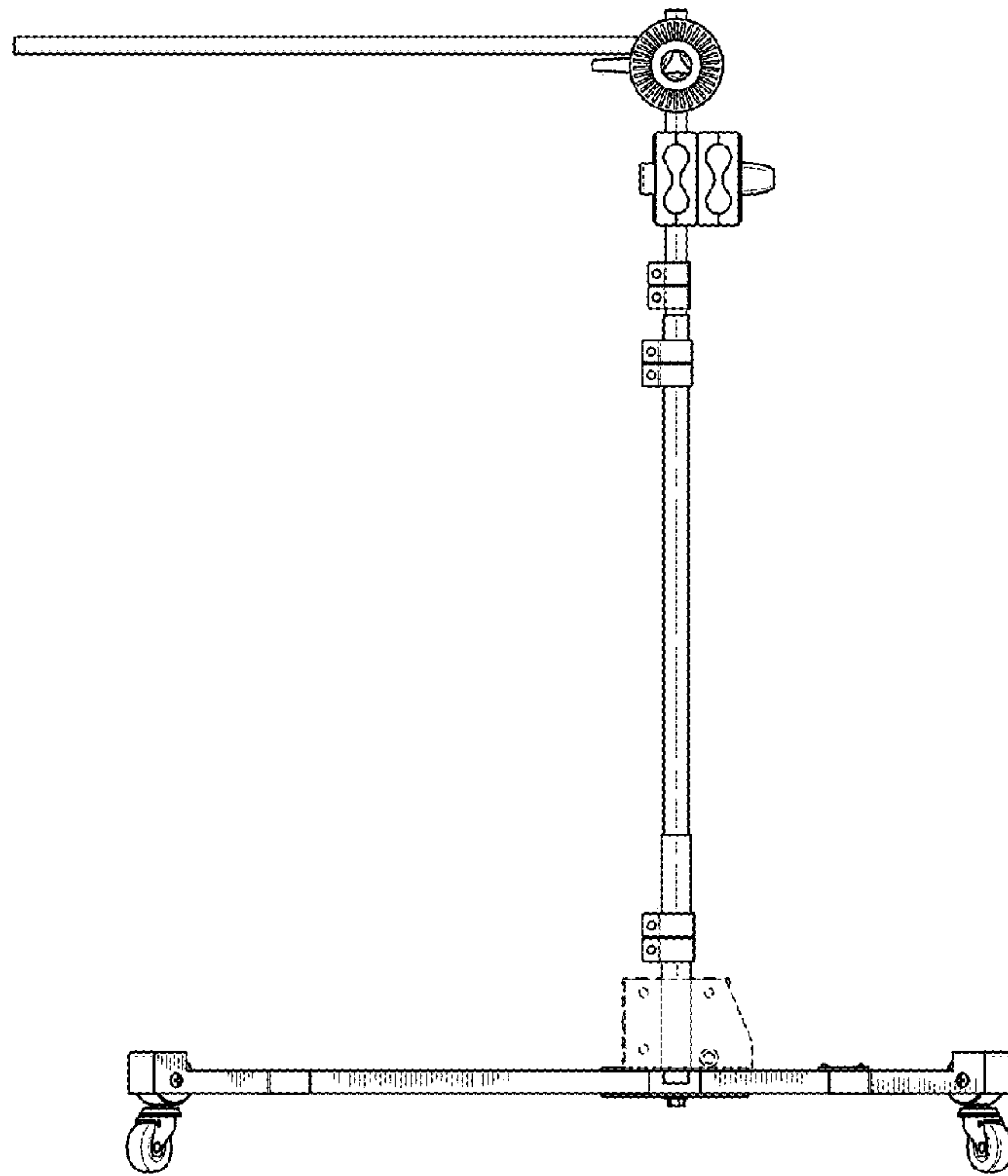


FIG. 3

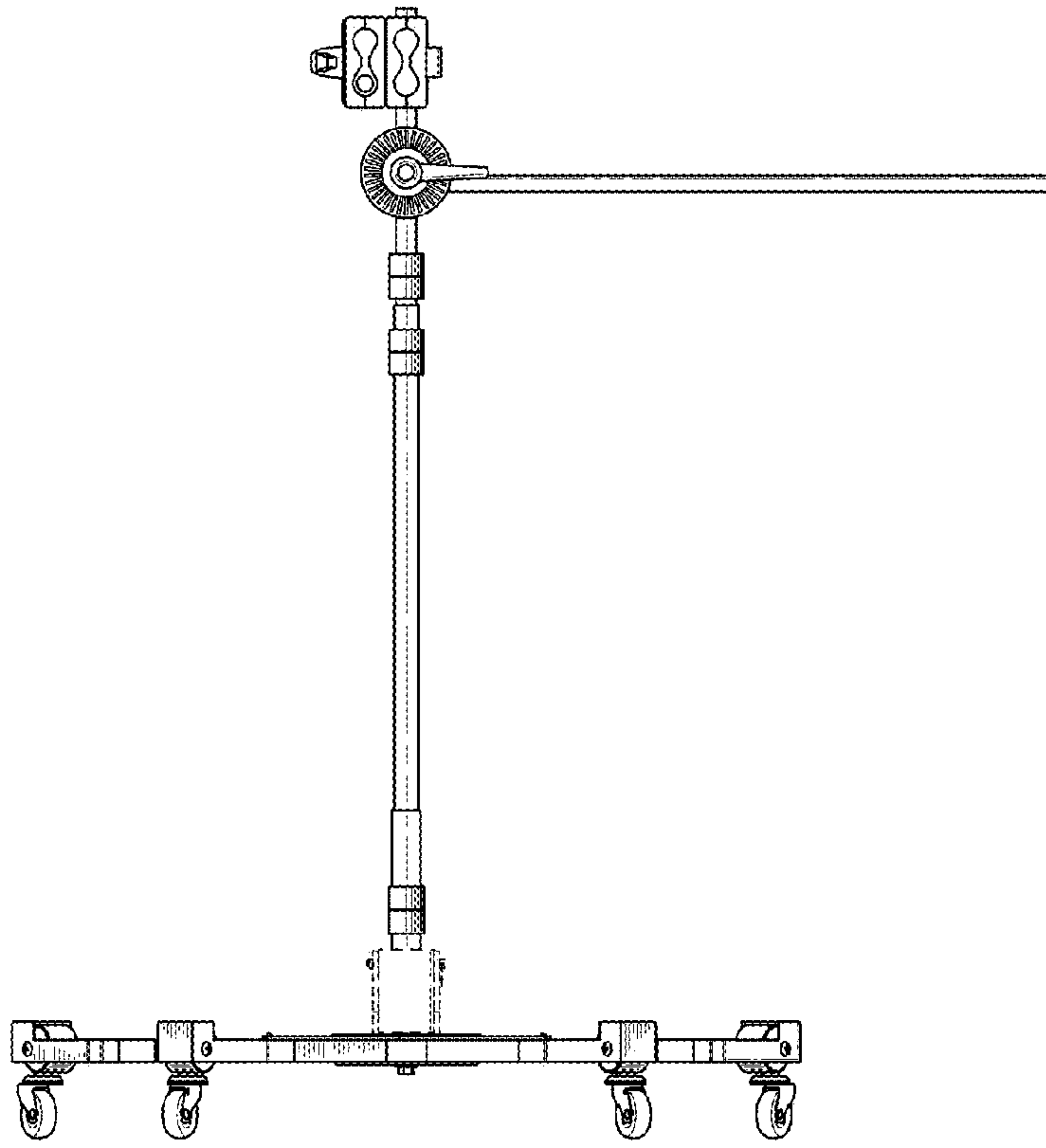


FIG. 4

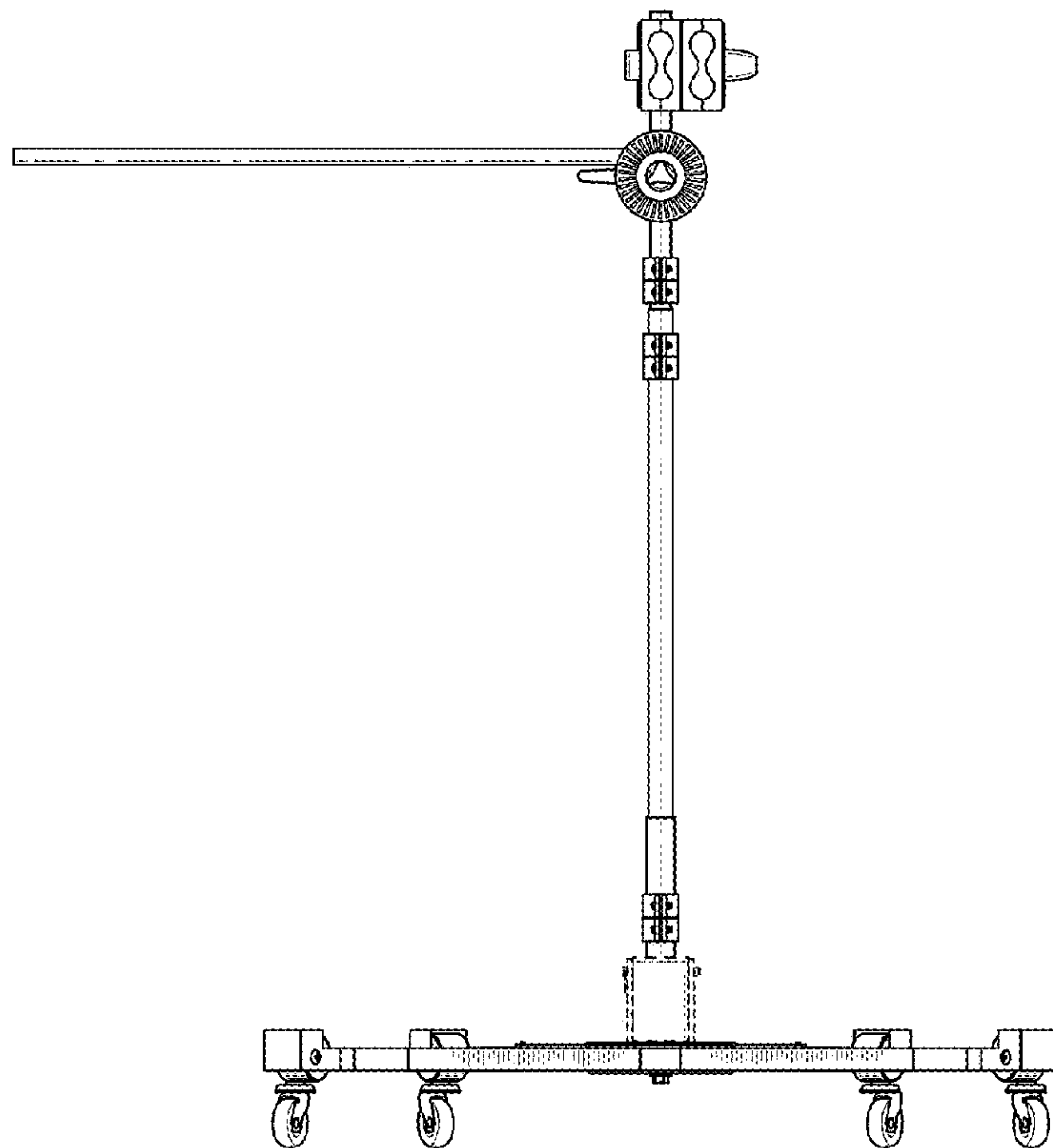


FIG. 5

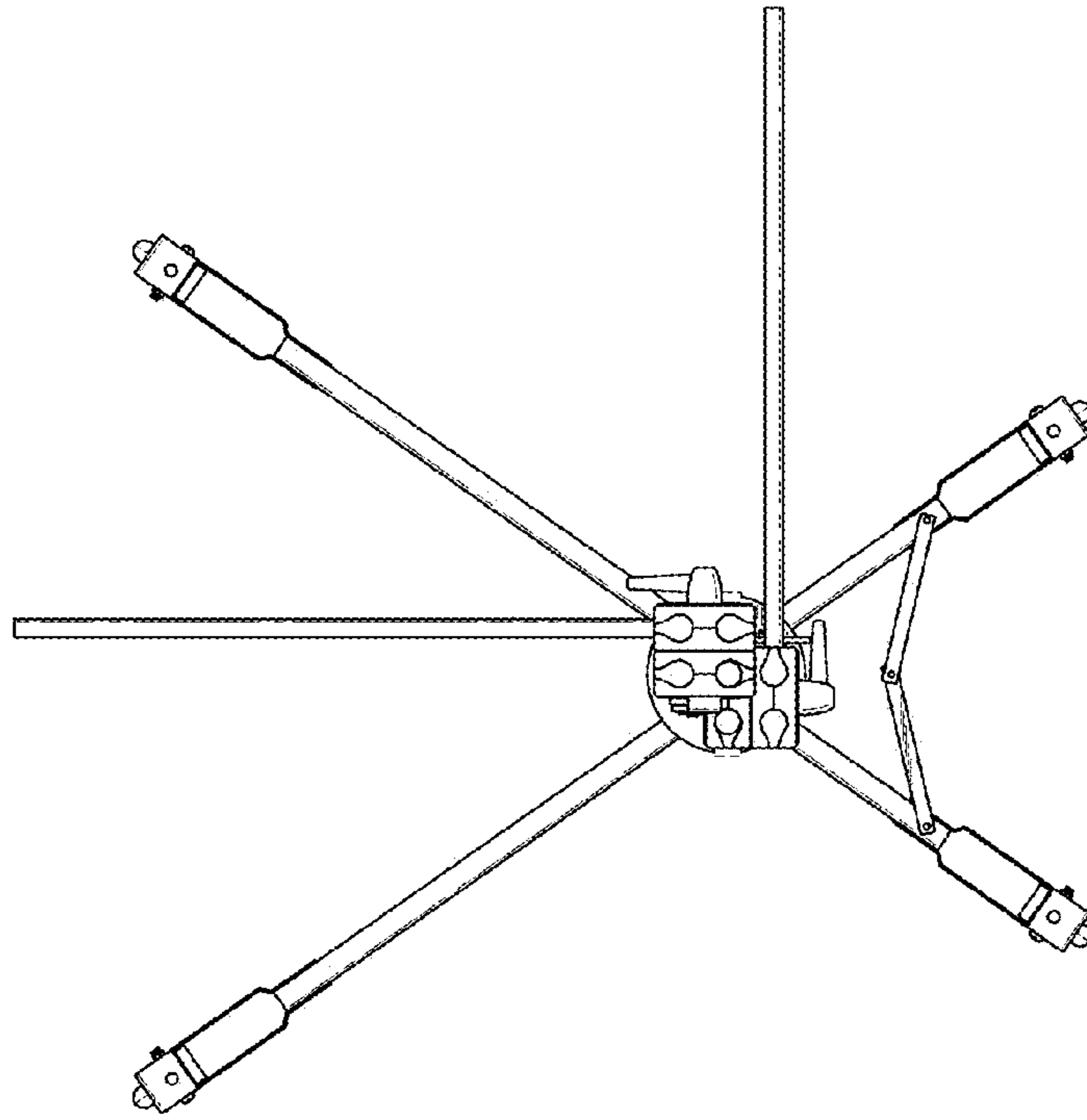


FIG. 6

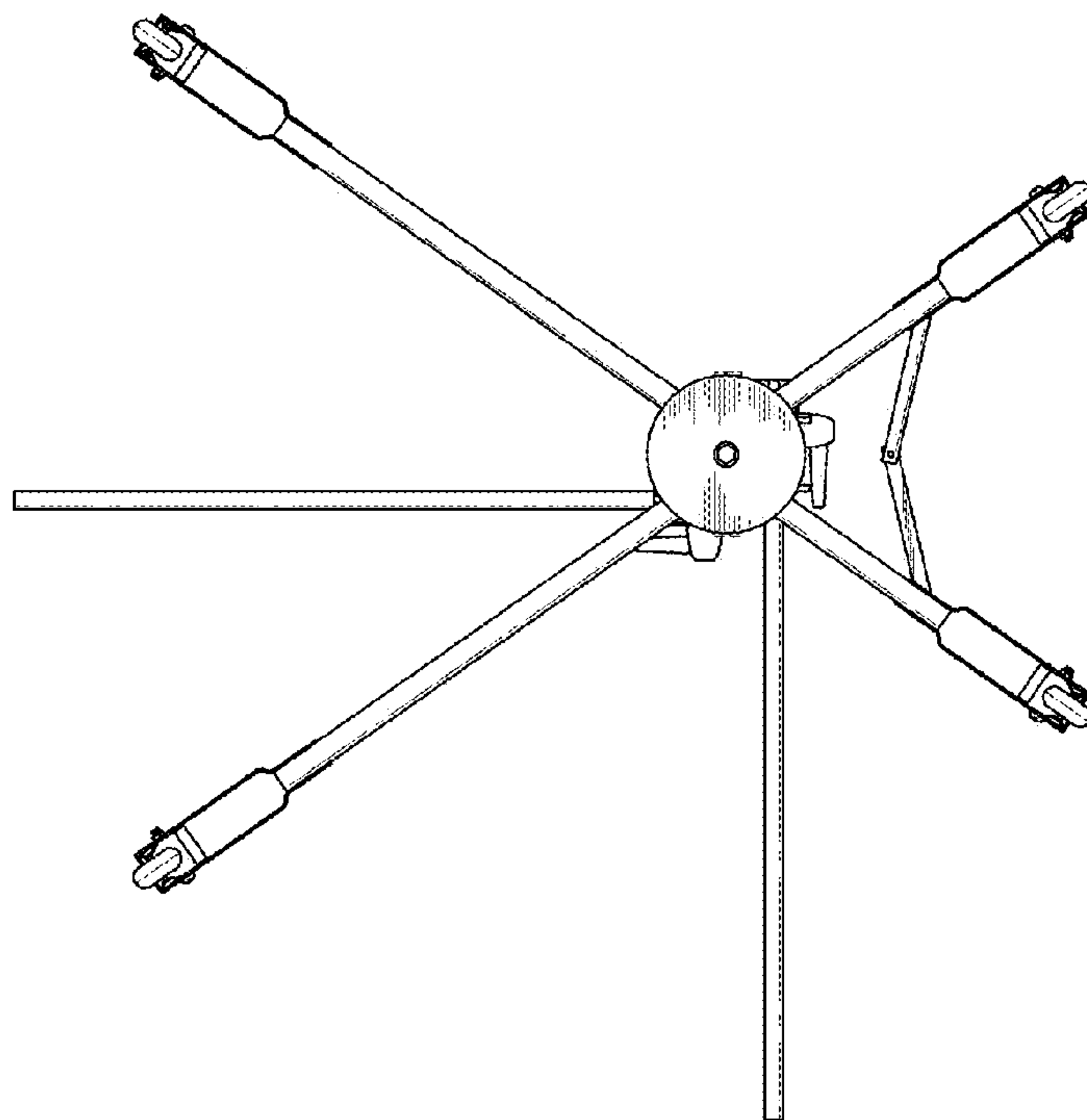


FIG. 7

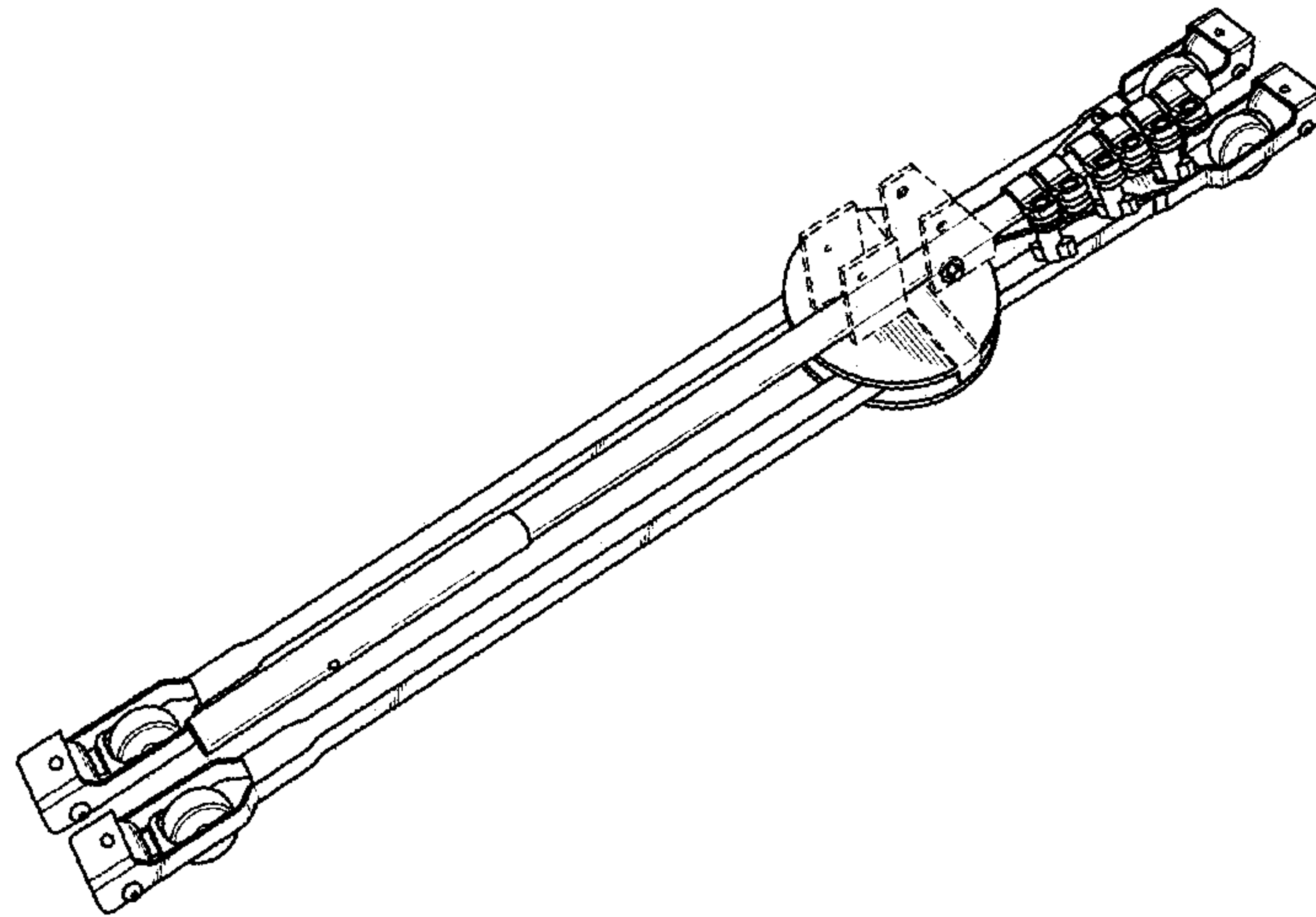


FIG. 8

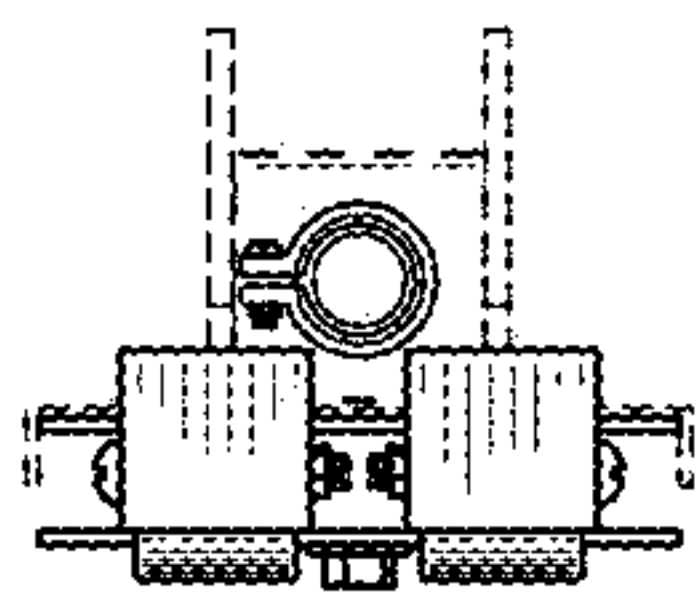


FIG. 9

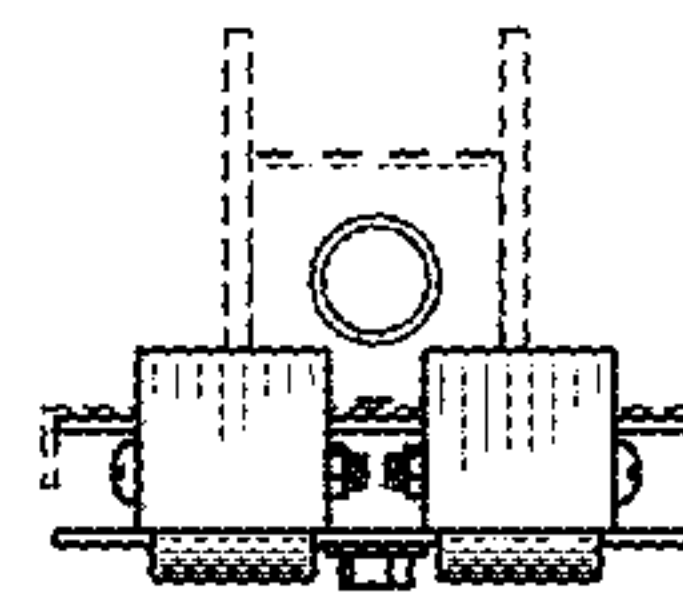


FIG. 10

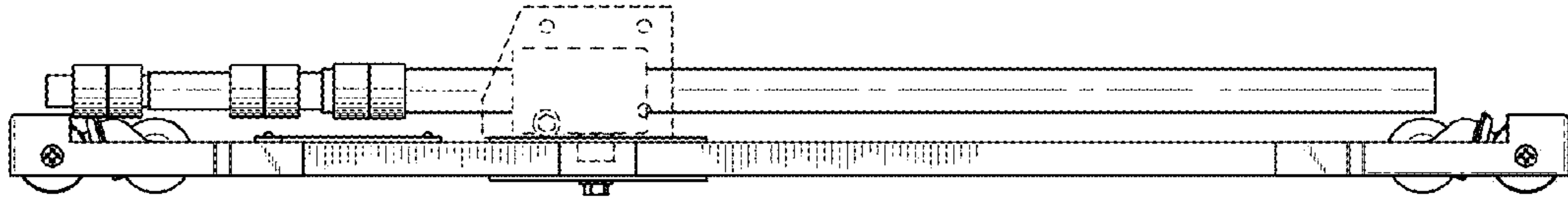


FIG. 1

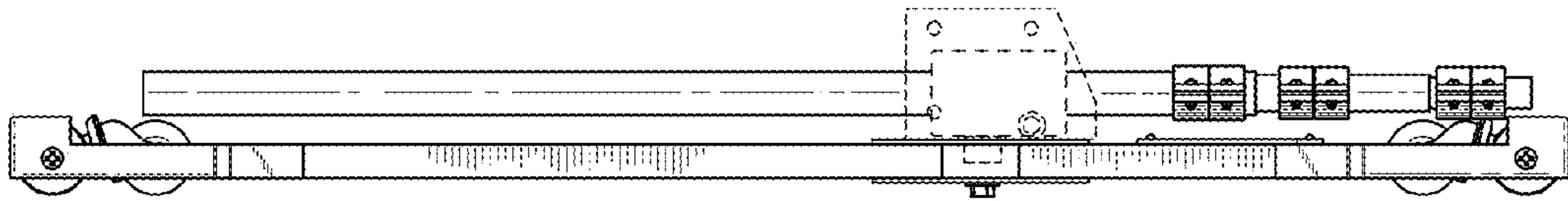


FIG. 12

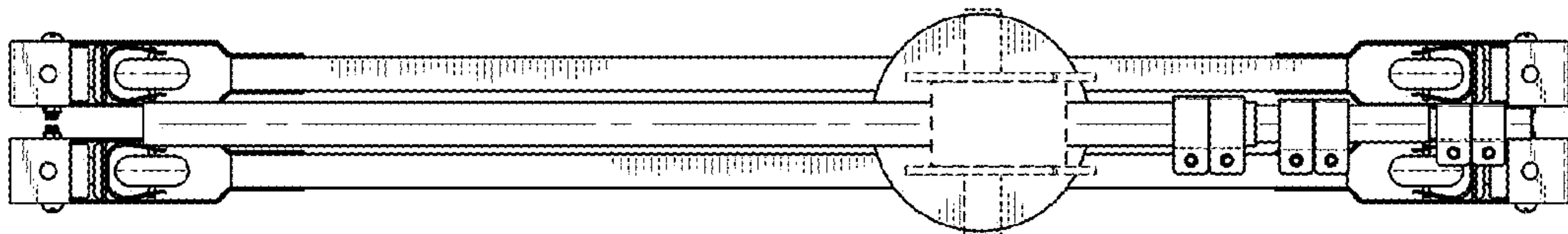


FIG. 13

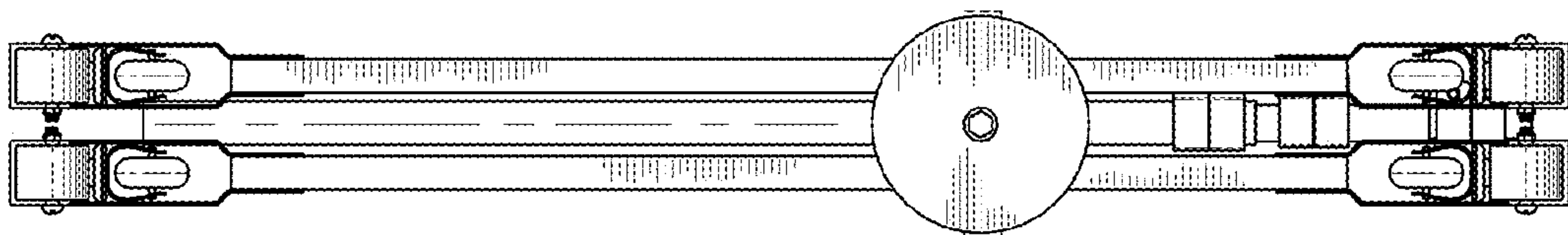


FIG. 14