



US00D745735S

(12) **United States Design Patent**
Tran et al.

(10) **Patent No.:** **US D745,735 S**

(45) **Date of Patent:** **** Dec. 15, 2015**

(54) **LUMINAIRE**

(71) Applicant: **ABL IP Holding, LLC**, Conyers, GA (US)

(72) Inventors: **Michael Trung Tran**, Oakland, CA (US); **Peter Y. Y. Ngai**, Alamo, CA (US)

(73) Assignee: **ABL IP HOLDING, LLC**, Conyers, GA (US)

(**) Term: **14 Years**

(21) Appl. No.: **29/525,774**

(22) Filed: **May 1, 2015**

Related U.S. Application Data

(63) Continuation-in-part of application No. 29/492,463, filed on May 30, 2014, now Pat. No. Des. 730,560.

(51) **LOC (10) Cl.** **26-03**

(52) **U.S. Cl.**
USPC **D26/90**; D26/80

(58) **Field of Classification Search**
USPC D26/76, 80, 86, 88, 90, 91, 118, 120
CPC F21S 8/06; F21S 8/061; F21S 8/063;
F21S 8/065; F21S 8/068; F21V 5/007; F21V
5/005; F21V 5/008
See application file for complete search history.

(56) **References Cited**

U.S. PATENT DOCUMENTS

D140,107 S *	1/1945	Lippincott	D26/76
D459,014 S *	6/2002	Chen	D26/85
D481,149 S *	10/2003	Engel	D26/76
D567,985 S *	4/2008	Komar et al.	D26/84
D584,848 S *	1/2009	Menke	D26/88
D600,394 S *	9/2009	Ambruster	D26/91
D602,626 S *	10/2009	Santoro et al.	D26/76
D617,030 S *	6/2010	Sabernig	D26/84
D620,180 S *	7/2010	Sabernig	D26/84
D635,709 S *	4/2011	Federico et al.	D26/84

(Continued)

Primary Examiner — Clare E Heflin

(74) *Attorney, Agent, or Firm* — Beeson Skinner Beverly, LLP

(57) **CLAIM**

The ornamental design for a luminaire, as shown and described.

DESCRIPTION

FIG. 1 is a bottom perspective view of a luminaire showing our new design;

FIG. 2 is a right side elevational view thereof, the left side being a mirror image;

FIG. 3 is a right end elevational view thereof;

FIG. 4 is a left end elevational view thereof; and,

FIG. 5 is a bottom plan view thereof;

FIG. 6 is a bottom perspective view of a luminaire showing an alternative embodiment our new design;

FIG. 7 is a right side elevational view thereof, the left side being a mirror image;

FIG. 8 is a right end elevational view thereof;

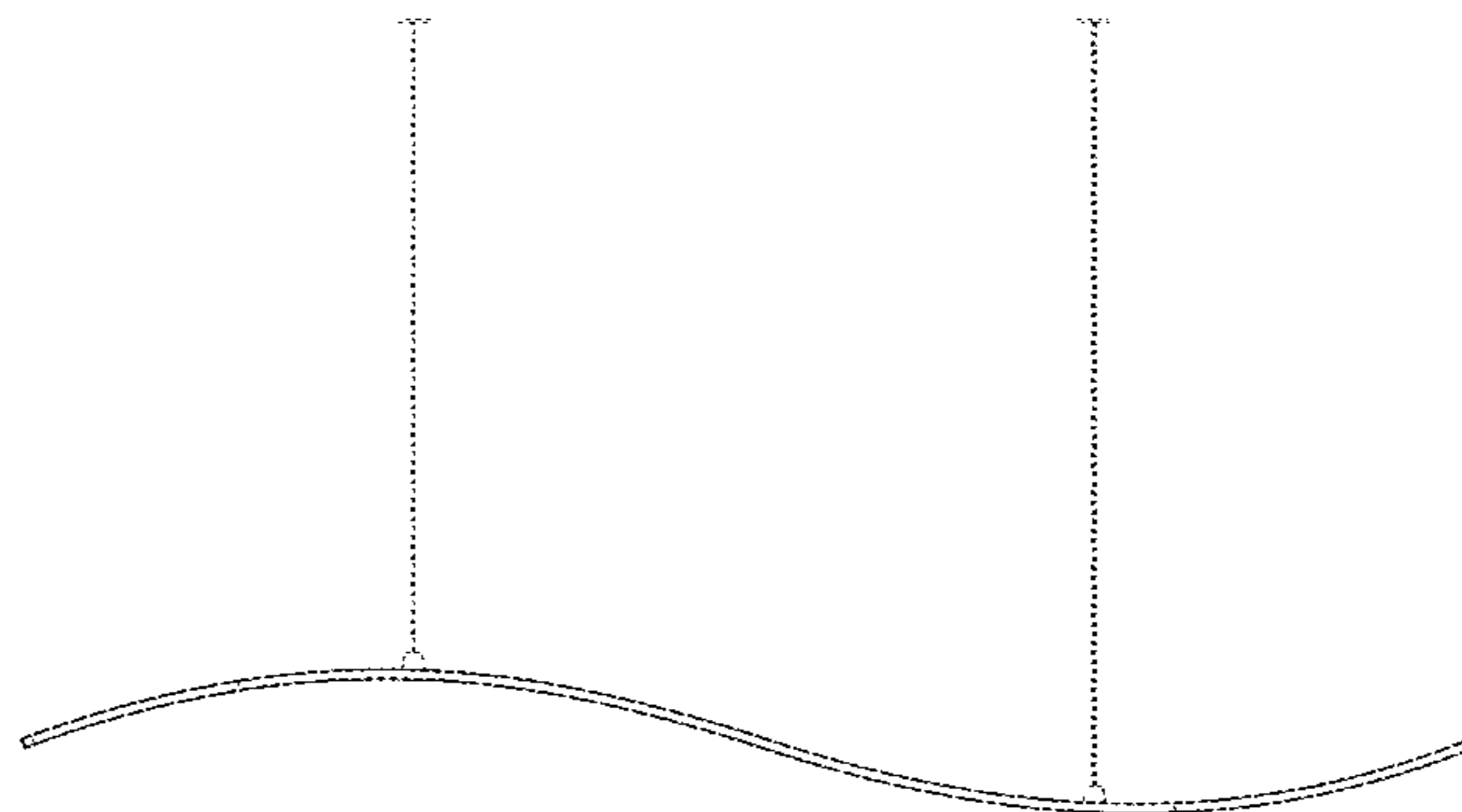
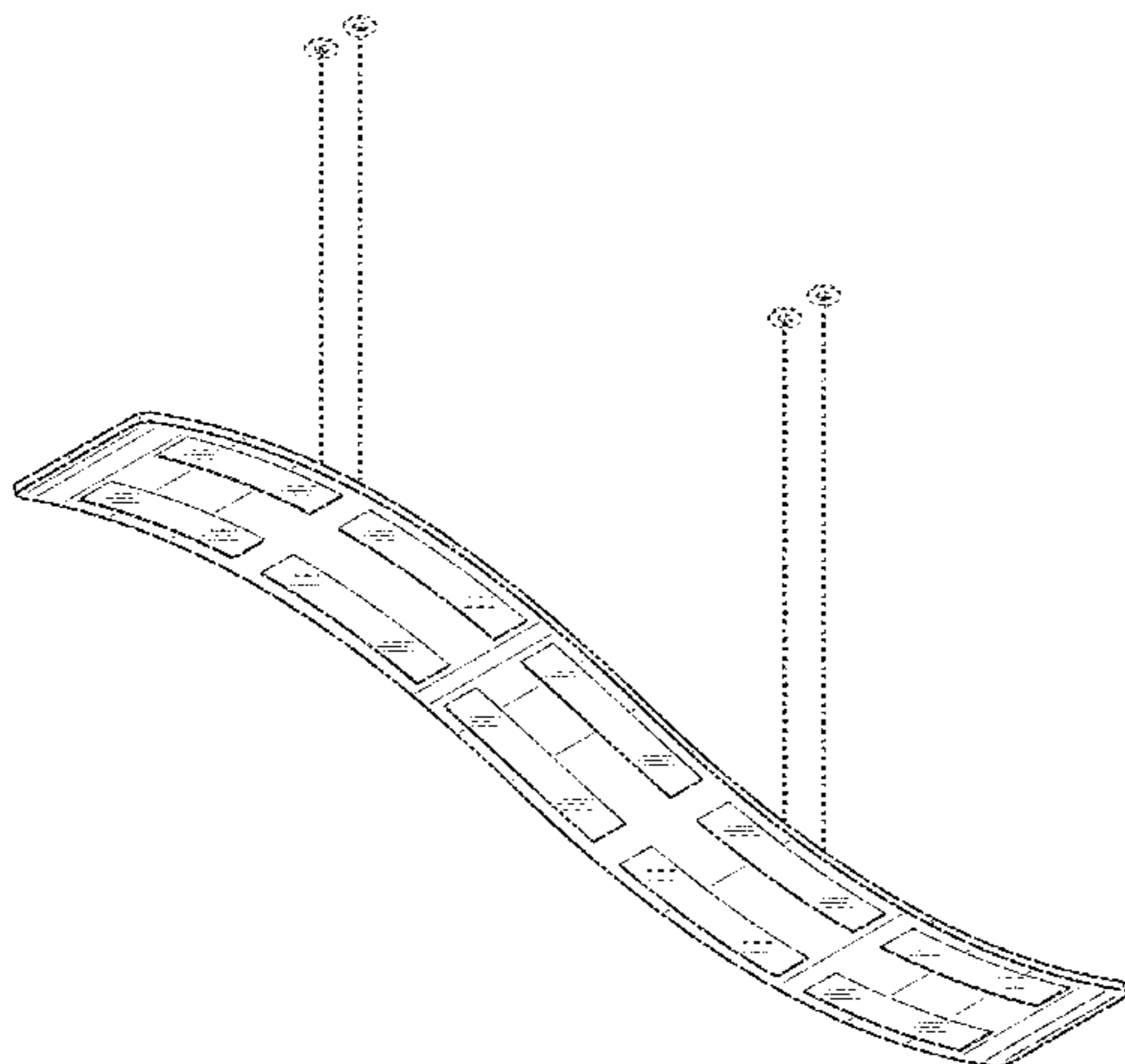
FIG. 9 is a left end elevational view thereof; and,

FIG. 10 is a bottom plan view thereof.

The vertical broken lines shown in FIGS. 1-4 and 6-9 represent suspension cables for suspending the luminaire from an overhead ceiling; the broken line detail at the top and bottom of the suspension cables represent ceiling plates and connectors for the suspension cables. The suspension cables, ceiling plates and connectors shown in broken lines form no part of the claimed design. The broken line rectangles shown in FIGS. 3, 4, 8, and 9 are boundary lines; the area inside the rectangles form no part of the claimed design.

In the embodiment shown in FIGS. 6-10, the broken line rectangles on the bottom surface of the luminaire shown in FIGS. 6 and 10 and partially shown in FIGS. 8 and 9 represent area light sources such as OLED panels. The broken line OLED panels form no part of the claimed design in the embodiment shown in FIGS. 6-10.

1 Claim, 4 Drawing Sheets



(56)

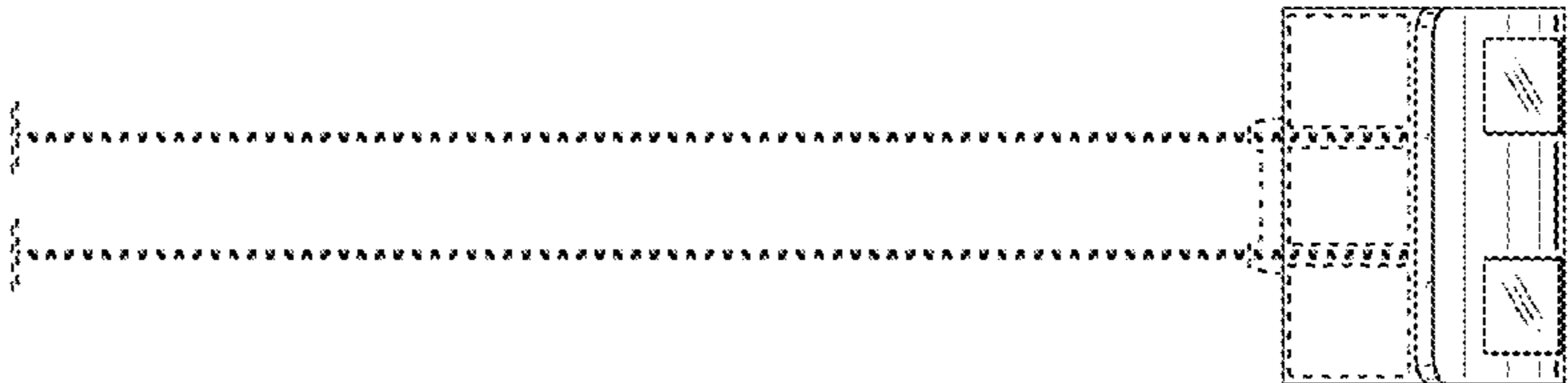
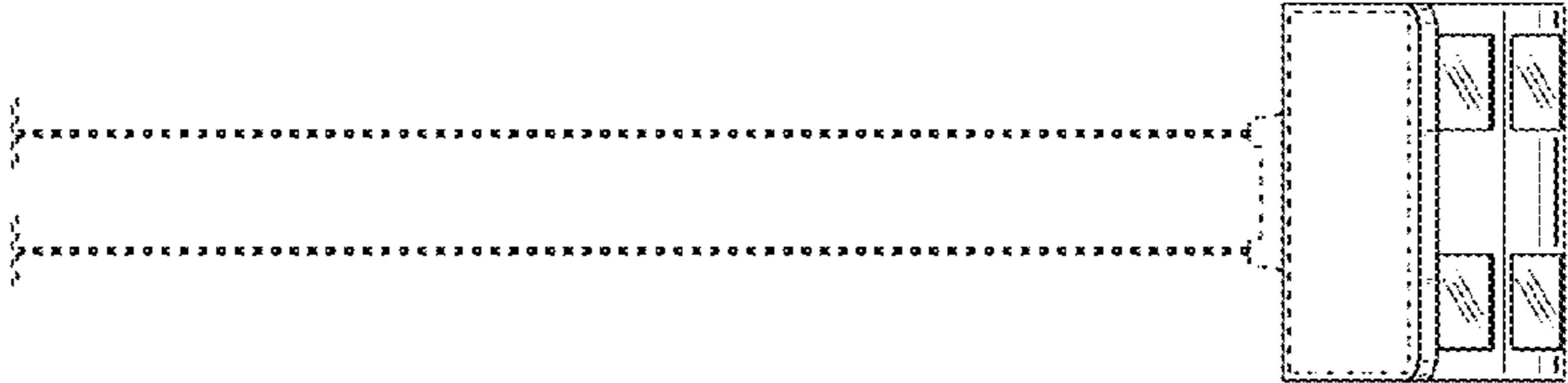
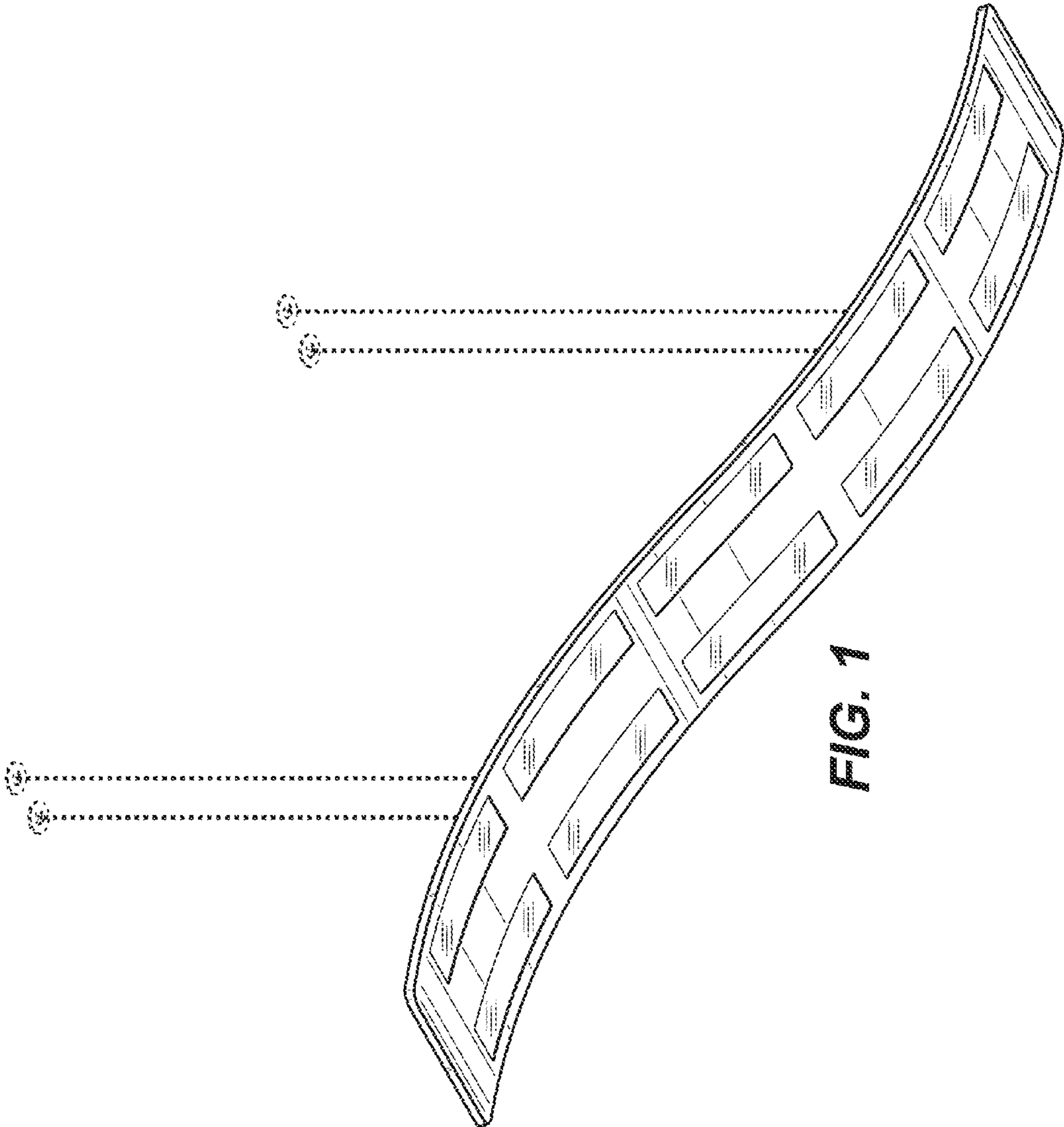
References Cited

U.S. PATENT DOCUMENTS

D643,566 S * 8/2011 Hickok et al. D26/88
D645,196 S * 9/2011 Hickok D26/88
D649,679 S * 11/2011 Germain et al. D26/91
D650,509 S * 12/2011 Wegger et al. D26/90
D654,212 S 2/2012 Blum et al.

D667,163 S 9/2012 Blum et al.
8,430,530 B2 * 4/2013 Aurongzeb et al. 362/249.04
8,538,217 B2 * 9/2013 Li 385/120
D703,864 S * 4/2014 Blum et al. D26/118
D713,591 S 9/2014 Blum et al.
D724,250 S 3/2015 Tran et al.
D730,560 S 5/2015 Tran et al.

* cited by examiner



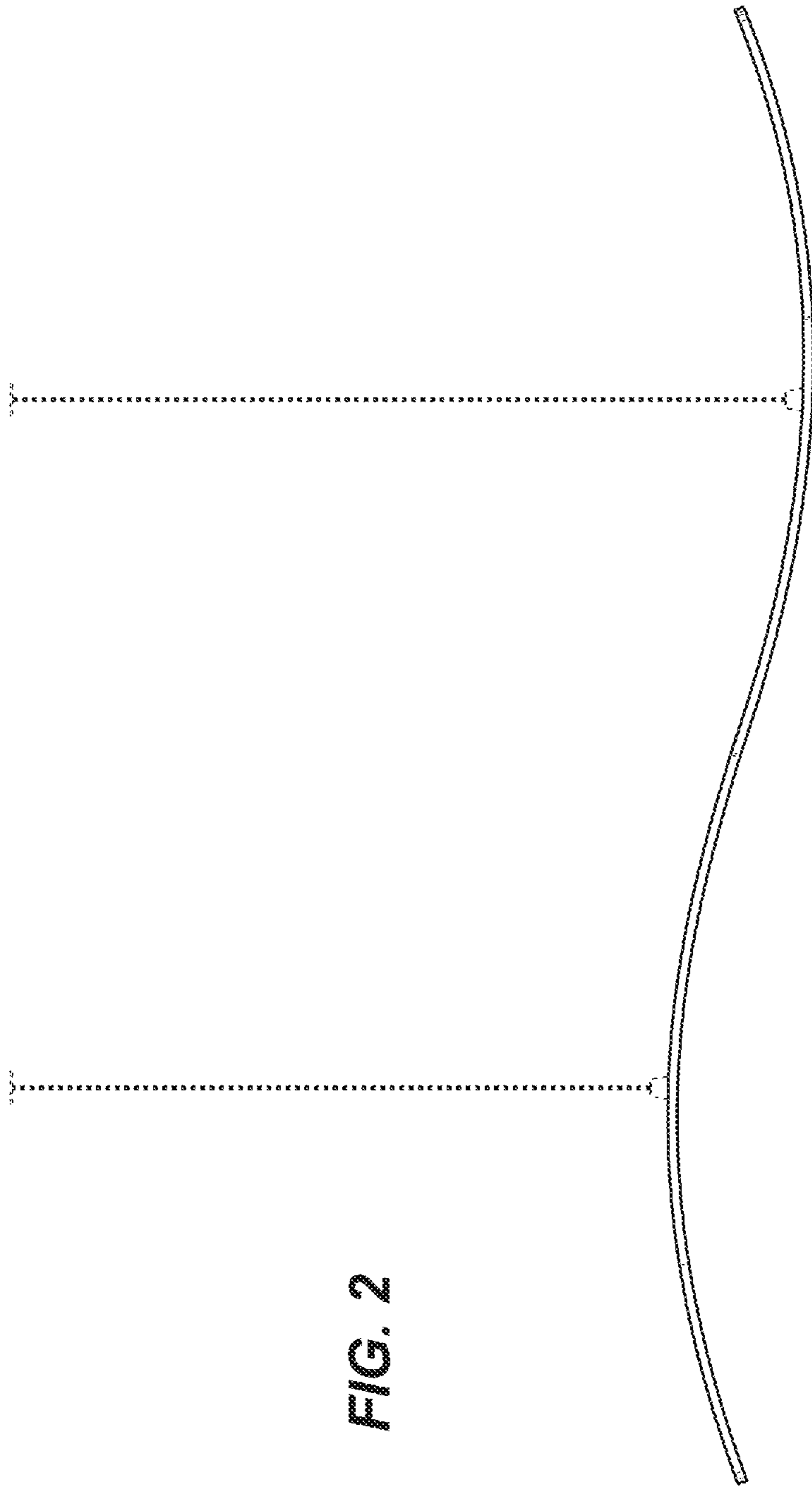


FIG. 2

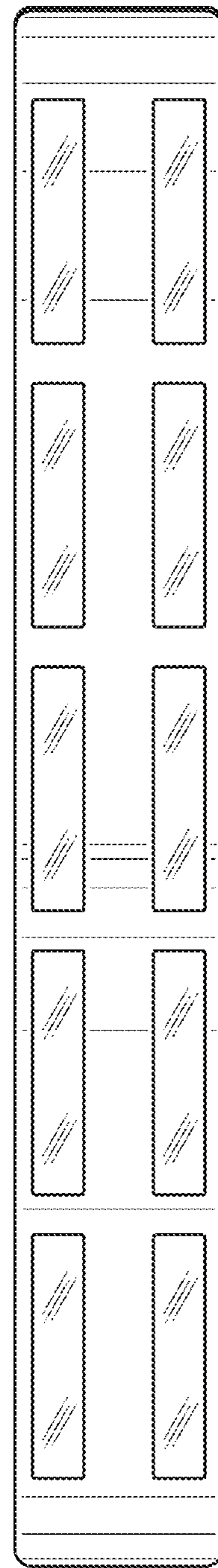


FIG. 5

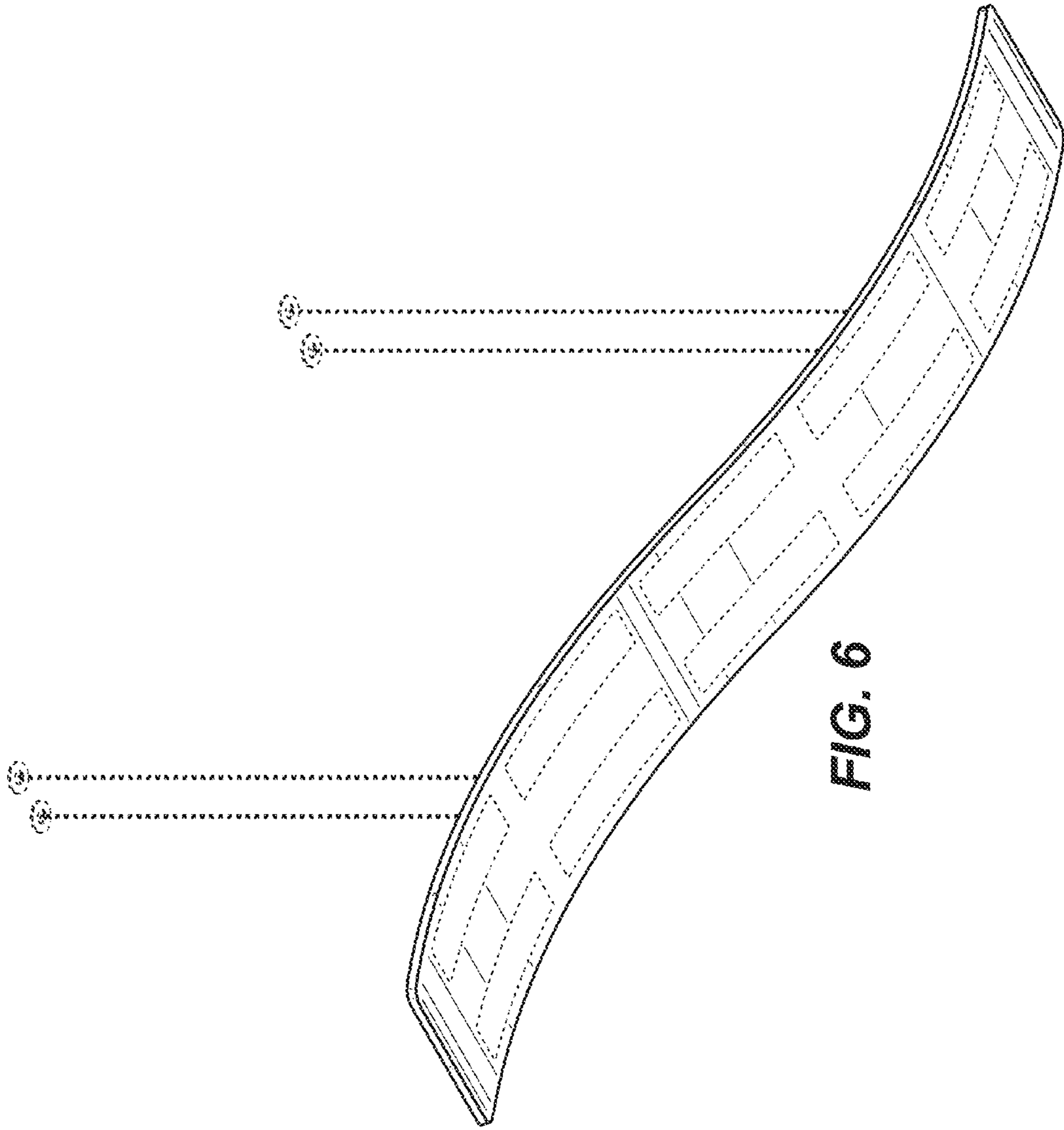


FIG. 6

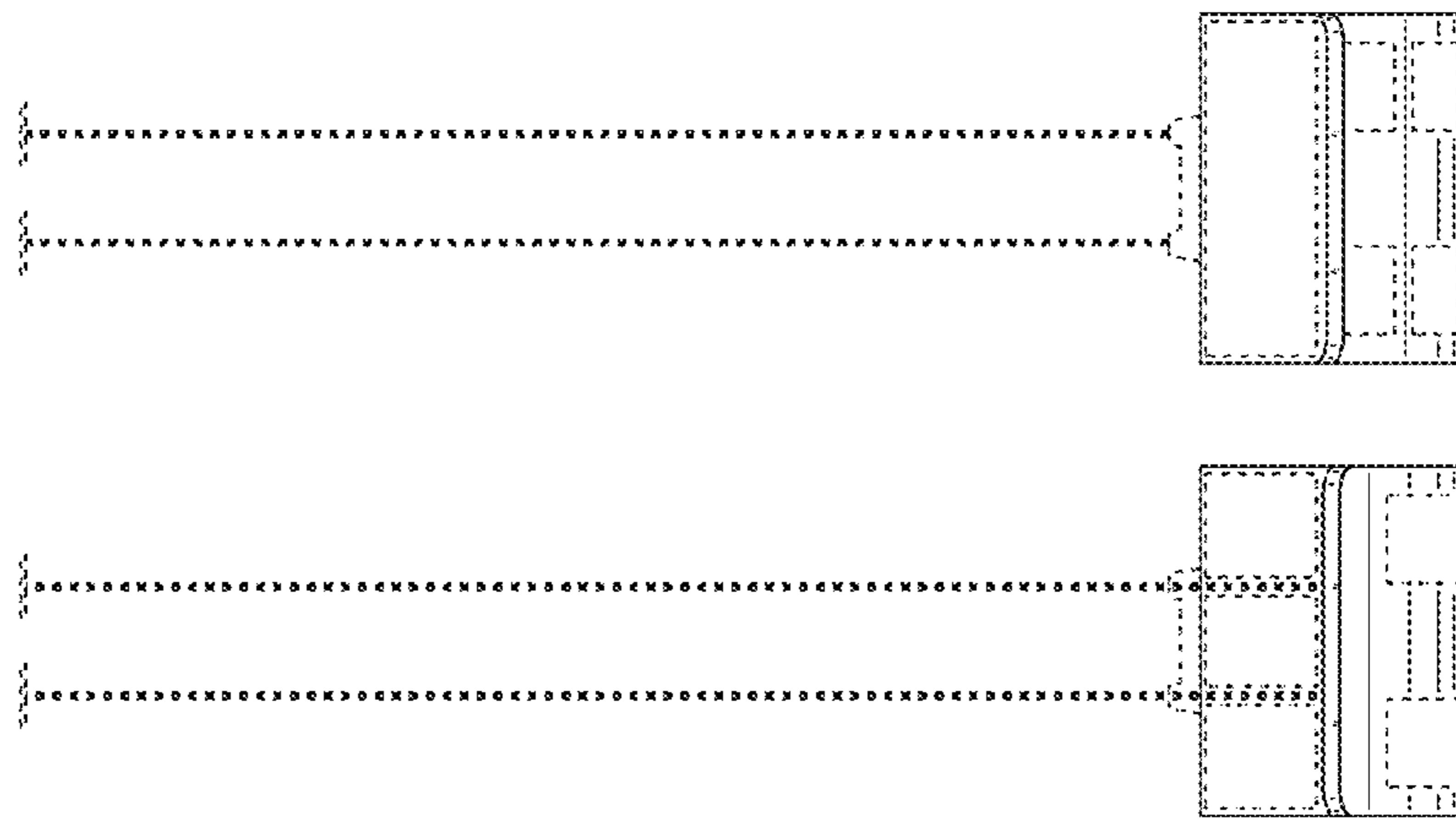


FIG. 8

FIG. 9

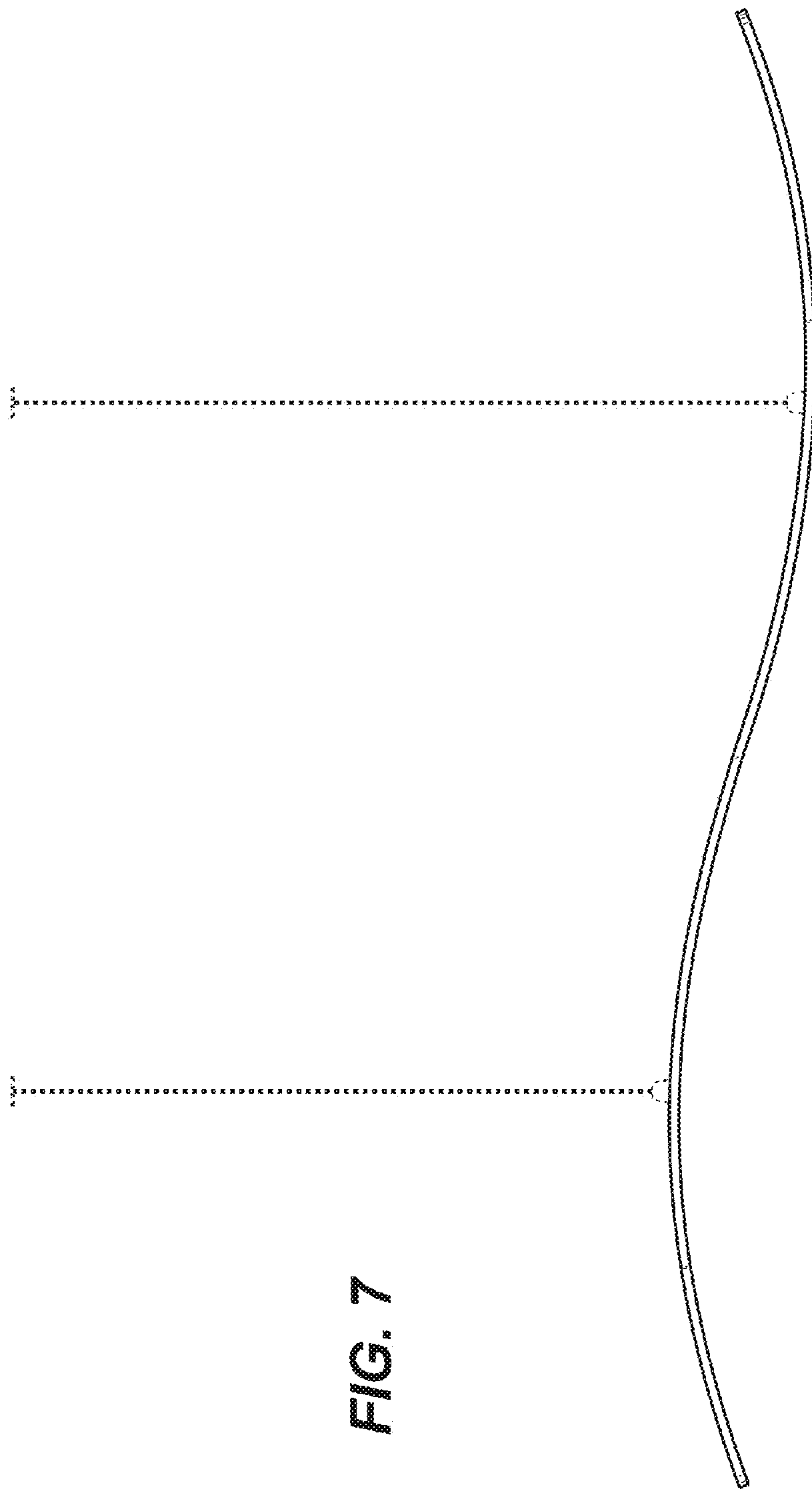


FIG. 7

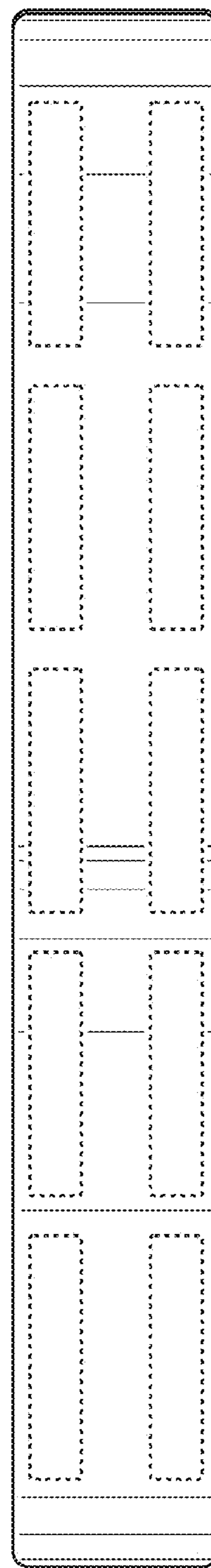


FIG. 10