



US00D745732S

(12) **United States Design Patent**  
**Inskeep**

(10) **Patent No.:** **US D745,732 S**

(45) **Date of Patent:** **\*\* Dec. 15, 2015**

(54) **FLASHLIGHT**

(71) Applicant: **Mathew Inskeep**, Highland Beach, FL  
(US)

(72) Inventor: **Mathew Inskeep**, Highland Beach, FL  
(US)

(\*\*) Term: **14 Years**

(21) Appl. No.: **29/499,126**

(22) Filed: **Aug. 12, 2014**

(51) **LOC (10) Cl.** ..... **26-02**

(52) **U.S. Cl.**  
USPC ..... **D26/49**

(58) **Field of Classification Search**  
USPC ..... D26/37, 38, 45, 46, 49, 51; 362/157,  
362/158, 184, 183, 194-196, 202-208  
CPC ..... F21V 33/00; F21V 14/025; F21V 21/406;  
F21Y 2101/02; F21L 17/00; F21L 13/08;  
F21L 2001/00; F21L 14/02  
See application file for complete search history.

(56) **References Cited**

**U.S. PATENT DOCUMENTS**

D579,595 S	*	10/2008	Shiu	.....	D26/49
D590,972 S	*	4/2009	Palmer	.....	D26/49
D644,365 S	*	8/2011	Yuen	.....	D26/49
D709,232 S	*	7/2014	Inskeep	.....	D26/49

D709,233 S	*	7/2014	Inskeep	.....	D26/49
D709,234 S	*	7/2014	Inskeep	.....	D26/49
D716,984 S	*	11/2014	Inskeep	.....	D26/49
D717,480 S	*	11/2014	Hsu	.....	D26/49
D738,021 S	*	9/2015	Wang	.....	D26/41

\* cited by examiner

*Primary Examiner* — Ian Simmons

*Assistant Examiner* — Carissa C Fitts

(57) **CLAIM**

I, Mathew Inskeep, claim the ornamental design for a flashlight, as shown and described.

**DESCRIPTION**

FIG. 1 is a top perspective view of the flashlight showing my new design.

FIG. 2 is a bottom perspective view thereof.

FIG. 3 is a top view thereof.

FIG. 4 is a bottom view thereof.

FIG. 5 is a front right side view thereof.

FIG. 6 is a front left side view thereof.

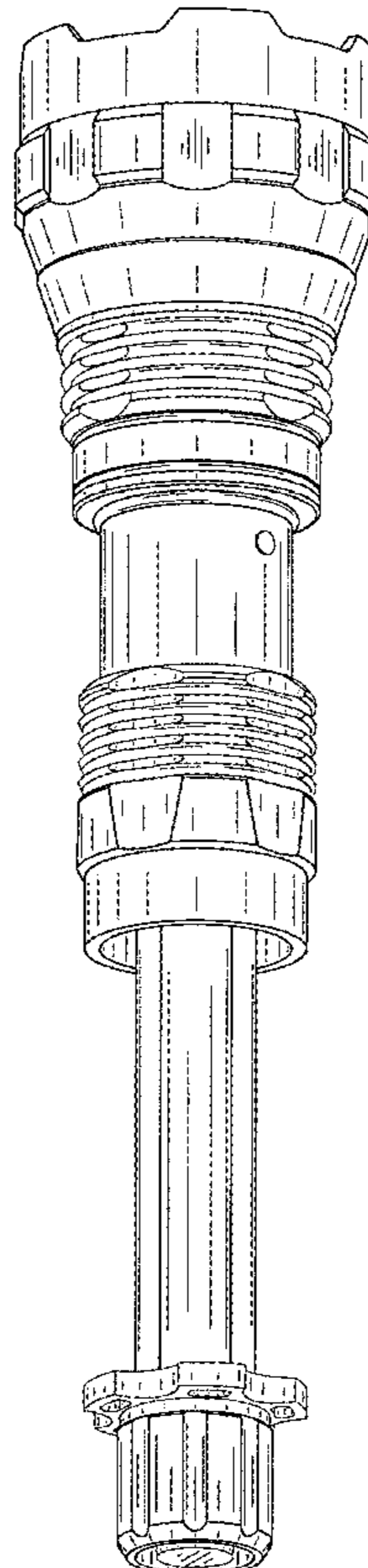
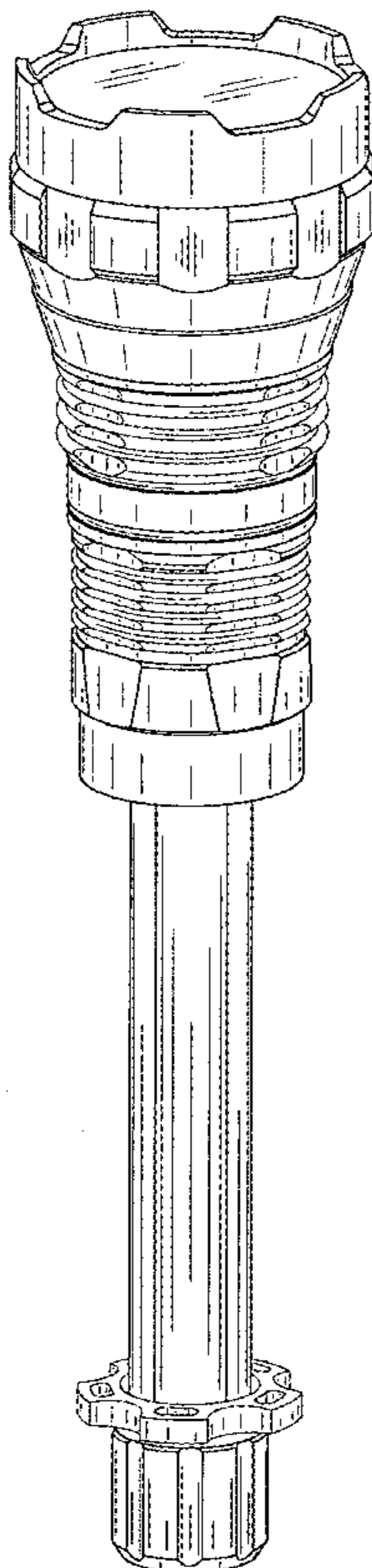
FIG. 7 is a back right side view thereof.

FIG. 8 is a back left side view thereof.

FIG. 9 is a perspective view with the charging port exposed; and,

FIG. 10 is a side perspective view with the charging light exposed.

**1 Claim, 5 Drawing Sheets**



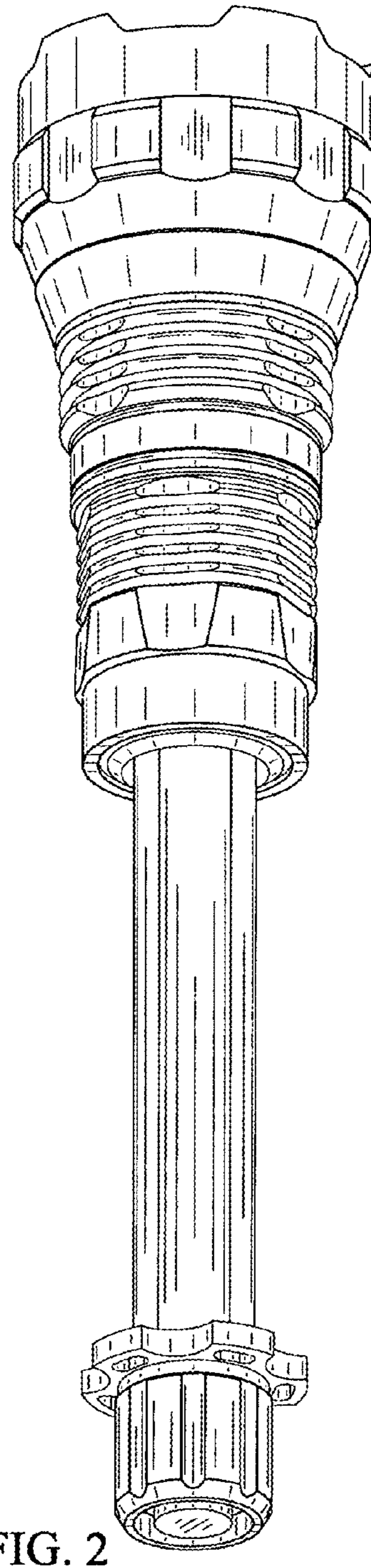
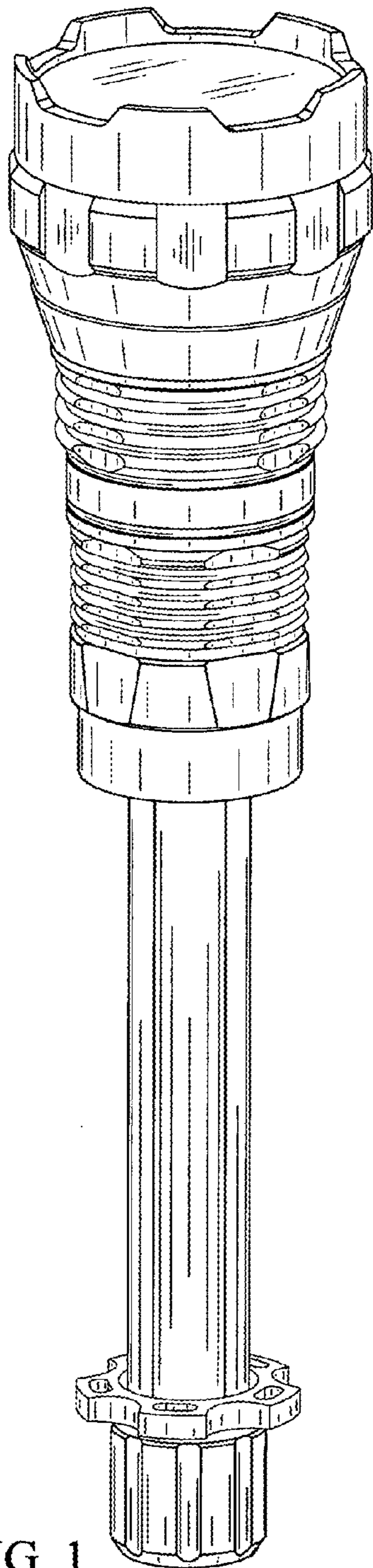


FIG. 1

FIG. 2

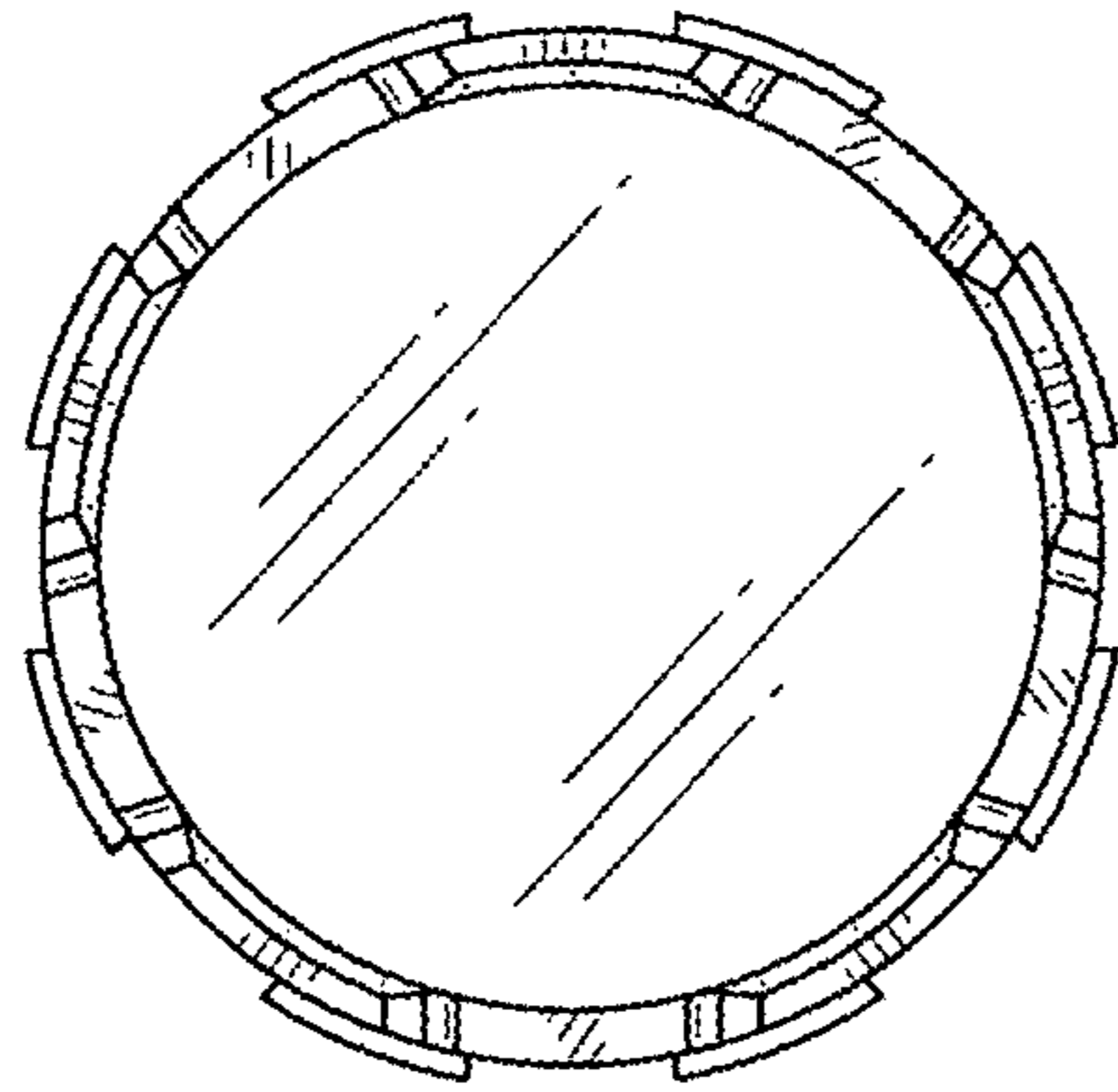


FIG. 3

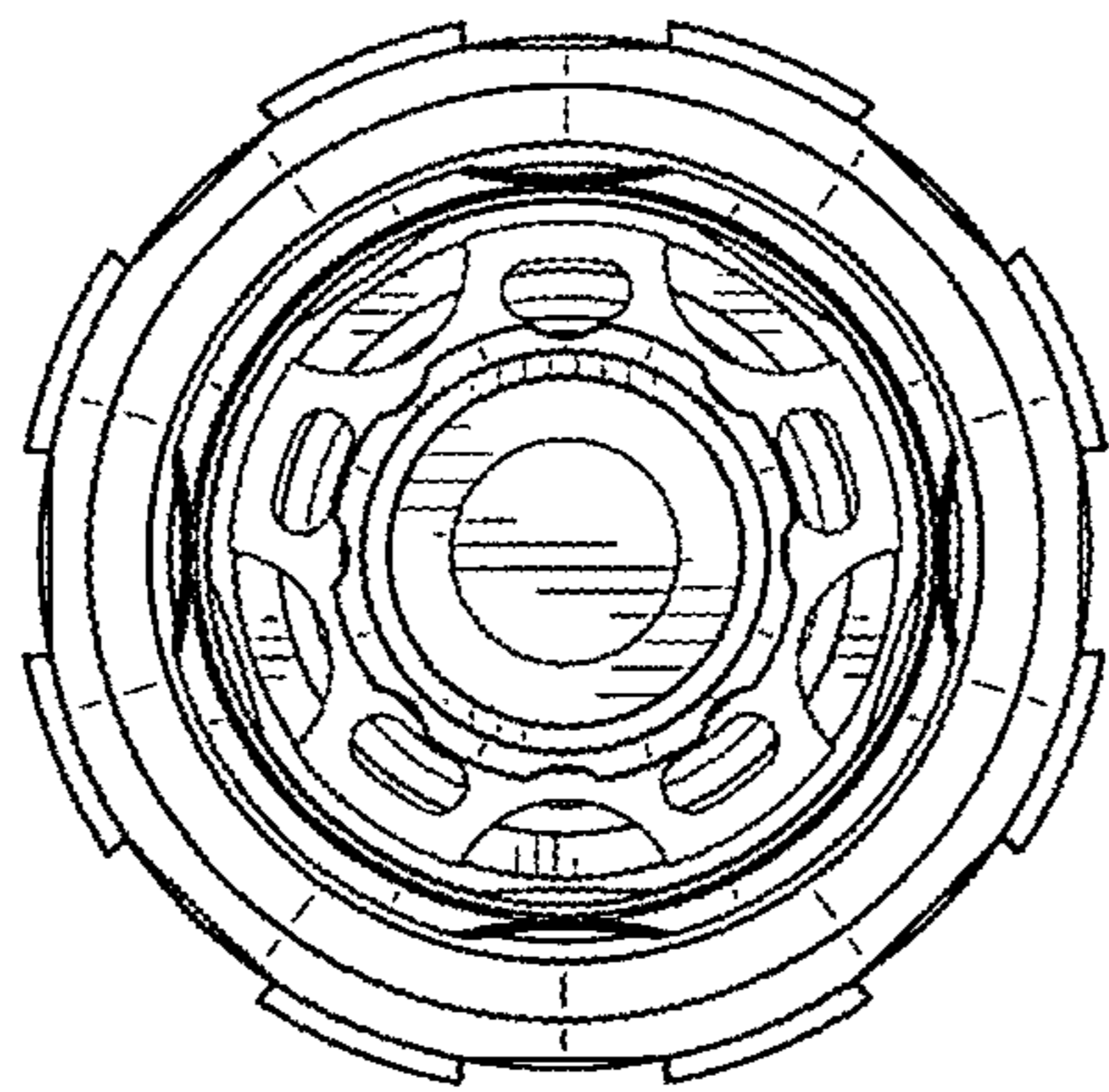


FIG. 4



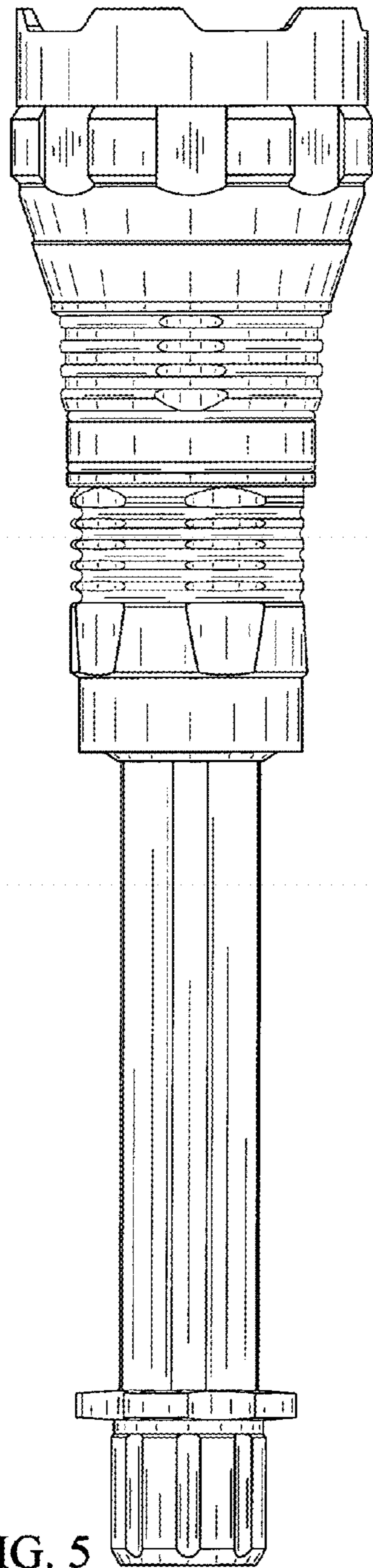


FIG. 5

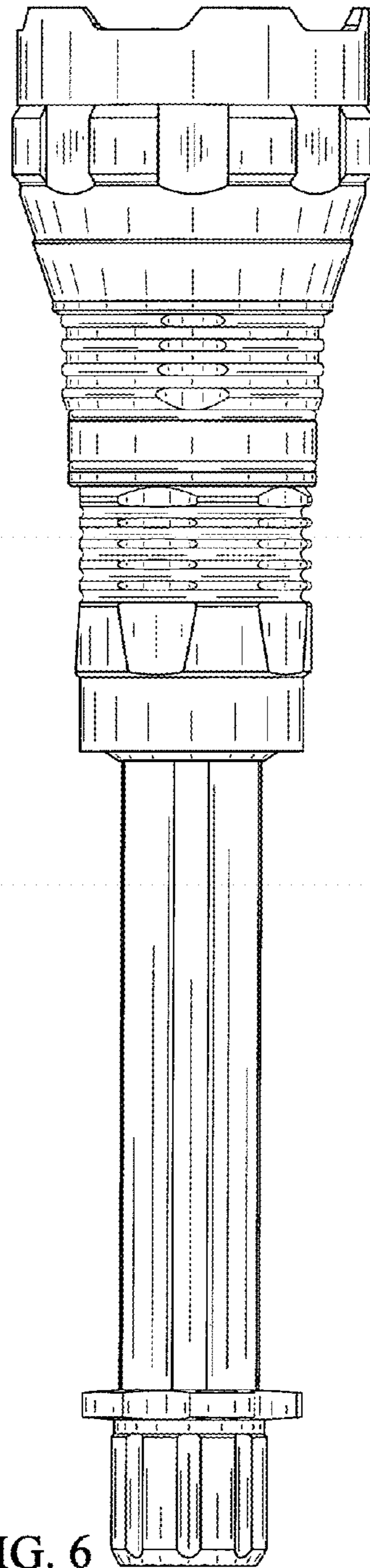


FIG. 6

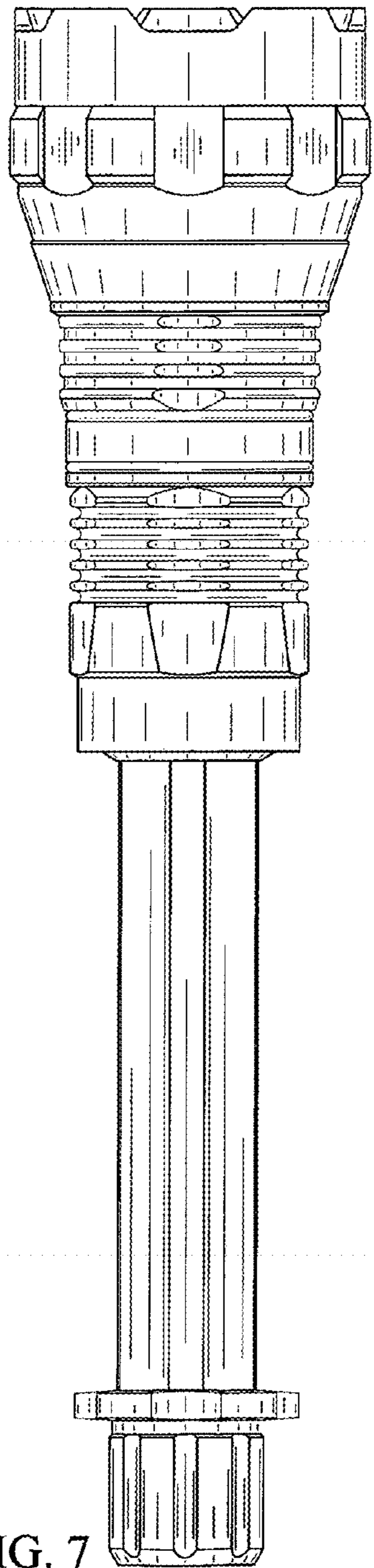


FIG. 7

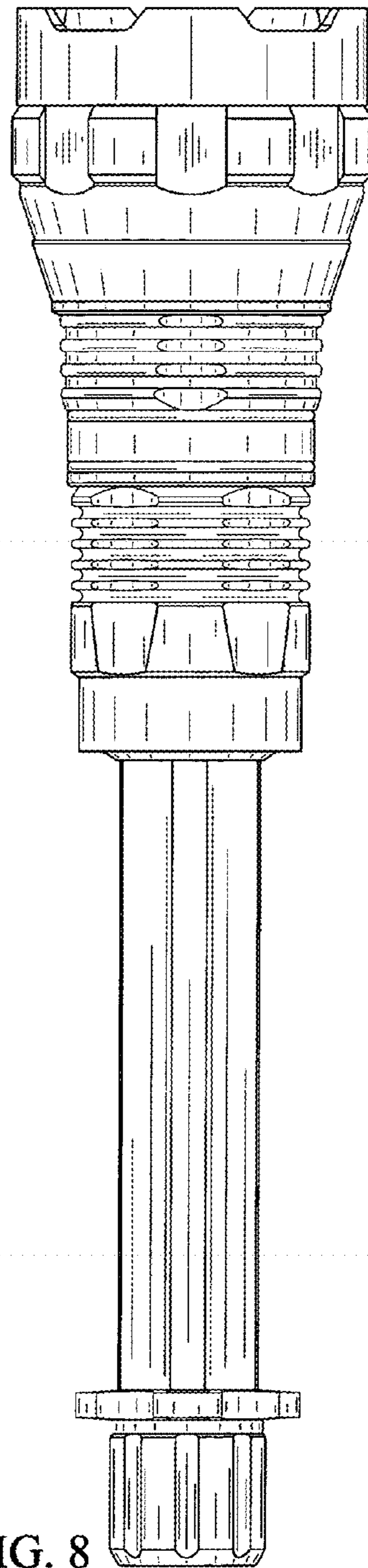


FIG. 8

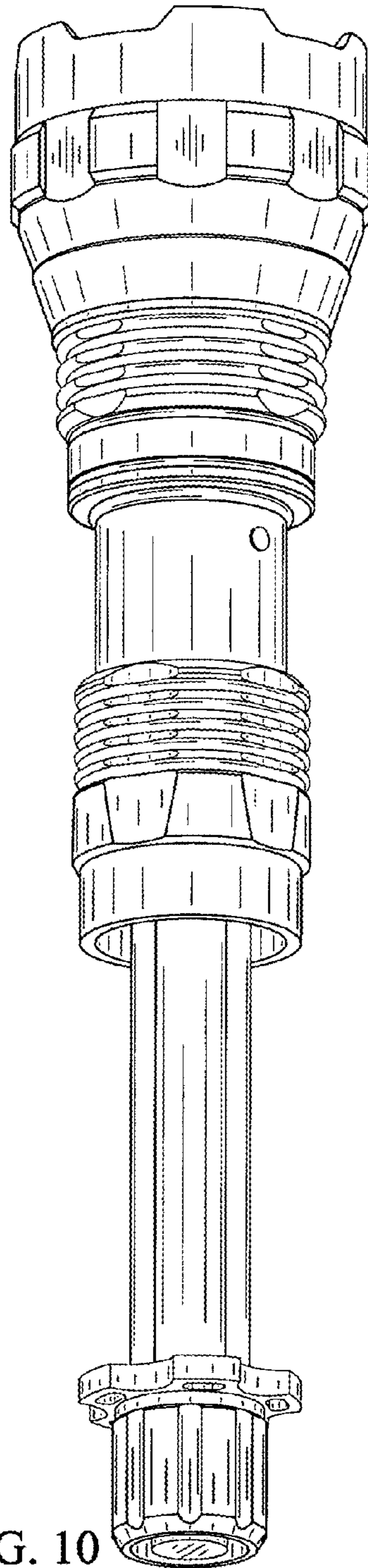
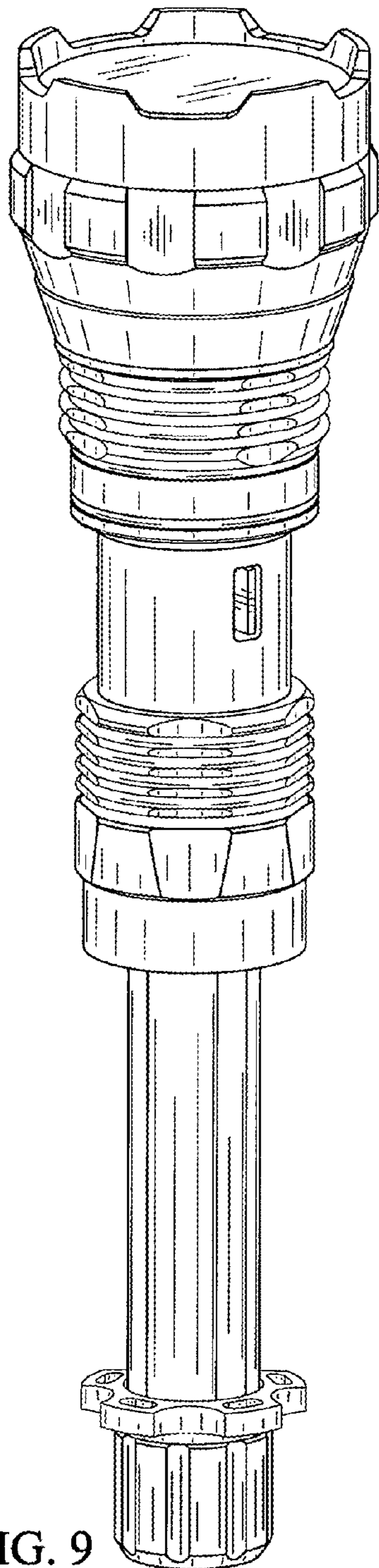


FIG. 9

FIG. 10