



US00D745730S

(12) **United States Design Patent**  
**Kunzendorf**

(10) **Patent No.:** **US D745,730 S**

(45) **Date of Patent:** **\*\* Dec. 15, 2015**

(54) **LIGHT EMITTING DEVICE**  
(71) Applicant: **Zweibrüder Optoelectronics GmbH & Co. KG**, Solingen (DE)  
(72) Inventor: **Andre Kunzendorf**, Solingen (DE)  
(73) Assignee: **Zweibruder Optoelectronics GmbH & Co. KG**, Solingen (DE)

(\*\*) Term: **14 Years**

(21) Appl. No.: **29/478,776**

(22) Filed: **Jan. 8, 2014**

(51) **LOC (10) Cl.** ..... **26-39**

(52) **U.S. Cl.**  
USPC ..... **D26/39**

(58) **Field of Classification Search**  
USPC ..... D26/37, 38, 39, 46, 49, 51; 362/103, 362/105, 108, 157, 158, 183, 184, 194-196, 362/200-208, 253  
CPC ..... F21V 33/00; F21V 14/025; F21V 21/406; F21Y 2101/02; F21L 17/00; F21L 13/08  
See application file for complete search history.

(56) **References Cited**

**U.S. PATENT DOCUMENTS**

D472,998 S \* 4/2003 Paris et al. .... D26/39  
D560,008 S \* 1/2008 Poon ..... D26/39  
D575,888 S \* 8/2008 Shiu ..... D26/39  
D582,085 S \* 12/2008 Feinbloom et al. .... D26/39  
D585,576 S \* 1/2009 Chisholm ..... D26/39

D590,083 S \* 4/2009 Petzl ..... D26/39  
D597,237 S \* 7/2009 Kumthampinij et al. .... D26/61  
D656,644 S \* 3/2012 Lee ..... D26/39  
D658,323 S \* 4/2012 Freschl ..... D26/39  
D666,343 S \* 8/2012 Lee ..... D26/39  
D672,893 S \* 12/2012 Inskeep ..... D26/39  
D726,943 S \* 4/2015 Petzl ..... D26/39

\* cited by examiner

*Primary Examiner* — Ian Simmons

*Assistant Examiner* — Carissa C Fitts

(74) *Attorney, Agent, or Firm* — Alston & Bird LLP

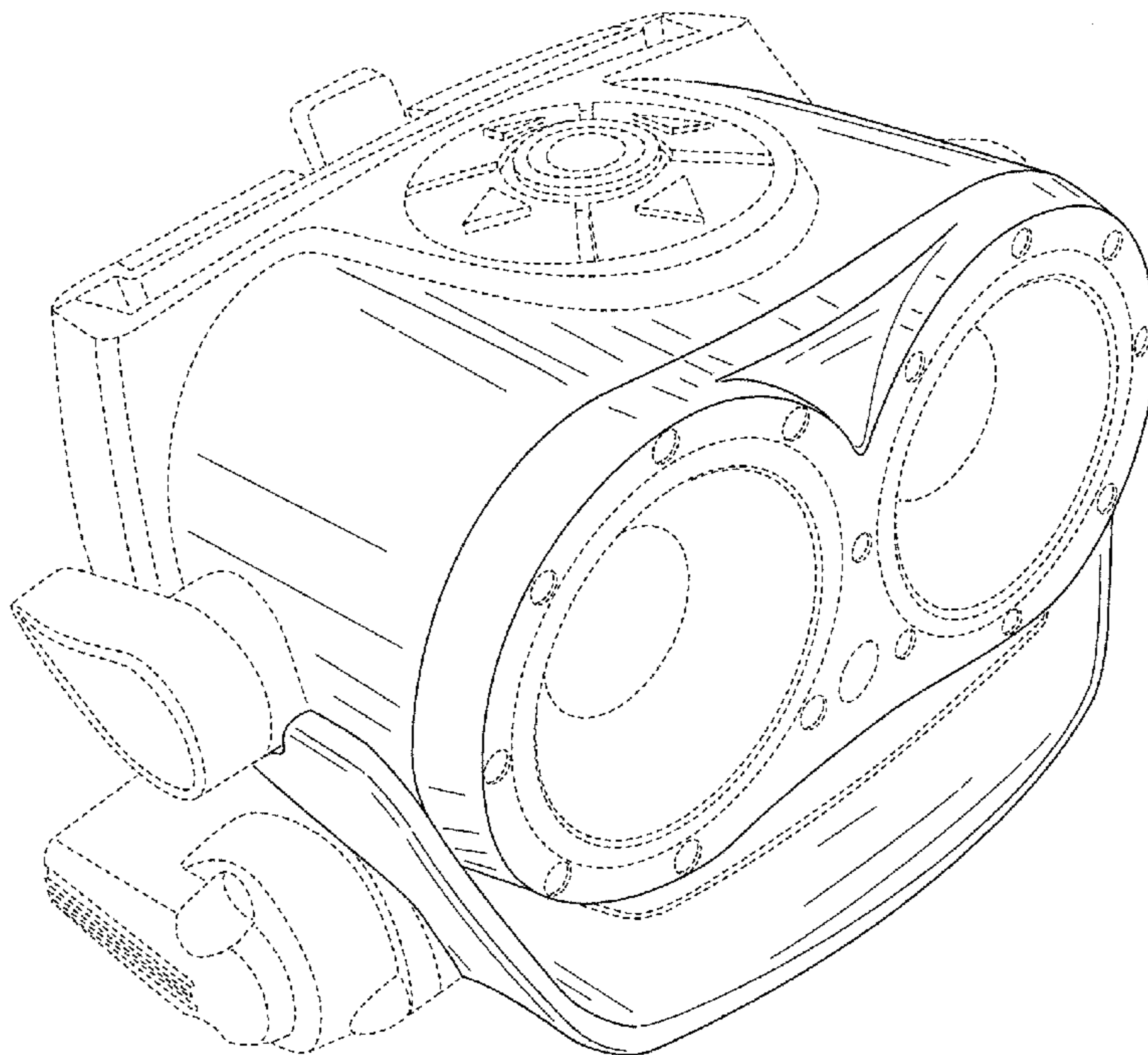
(57) **CLAIM**

The ornamental design for a light emitting device, as shown and described.

**DESCRIPTION**

FIG. 1 is a front perspective view of a light emitting device according to my new design;  
FIG. 2 is a front elevation view thereof;  
FIG. 3 is a back elevation view thereof;  
FIG. 4 is a right side elevation view thereof;  
FIG. 5 is a left side elevation view thereof;  
FIG. 6 is a top side elevation view thereof; and,  
FIG. 7 is a bottom plan view thereof.  
The dash-dot-dash broken lines adjacent the shaded areas in FIGS. 3-5 and 7 represent the bounds of the claimed design while all other broken lines represent unclaimed portions of the article. The broken lines form no part of the claimed design.

**1 Claim, 6 Drawing Sheets**



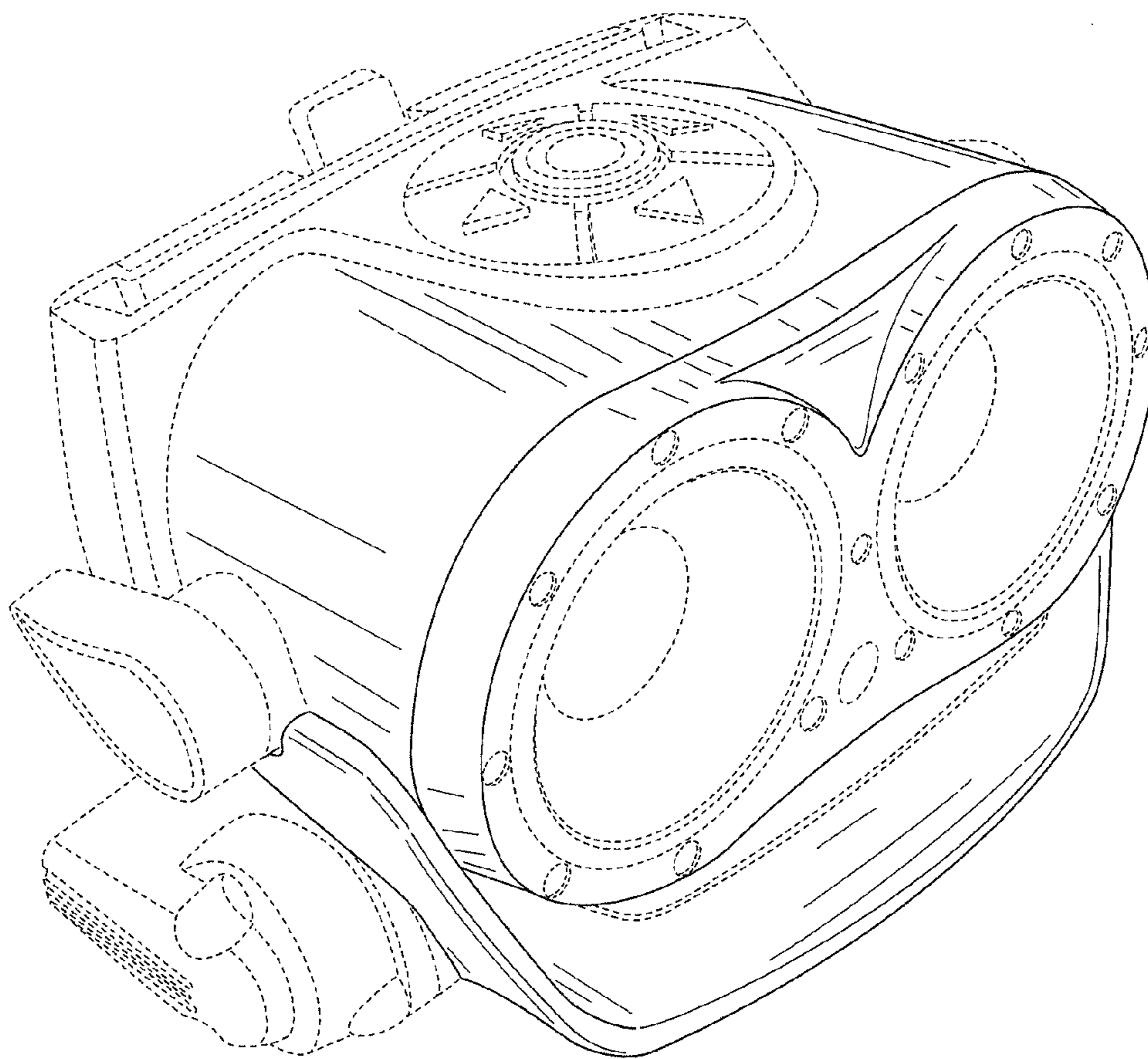


FIG. 1

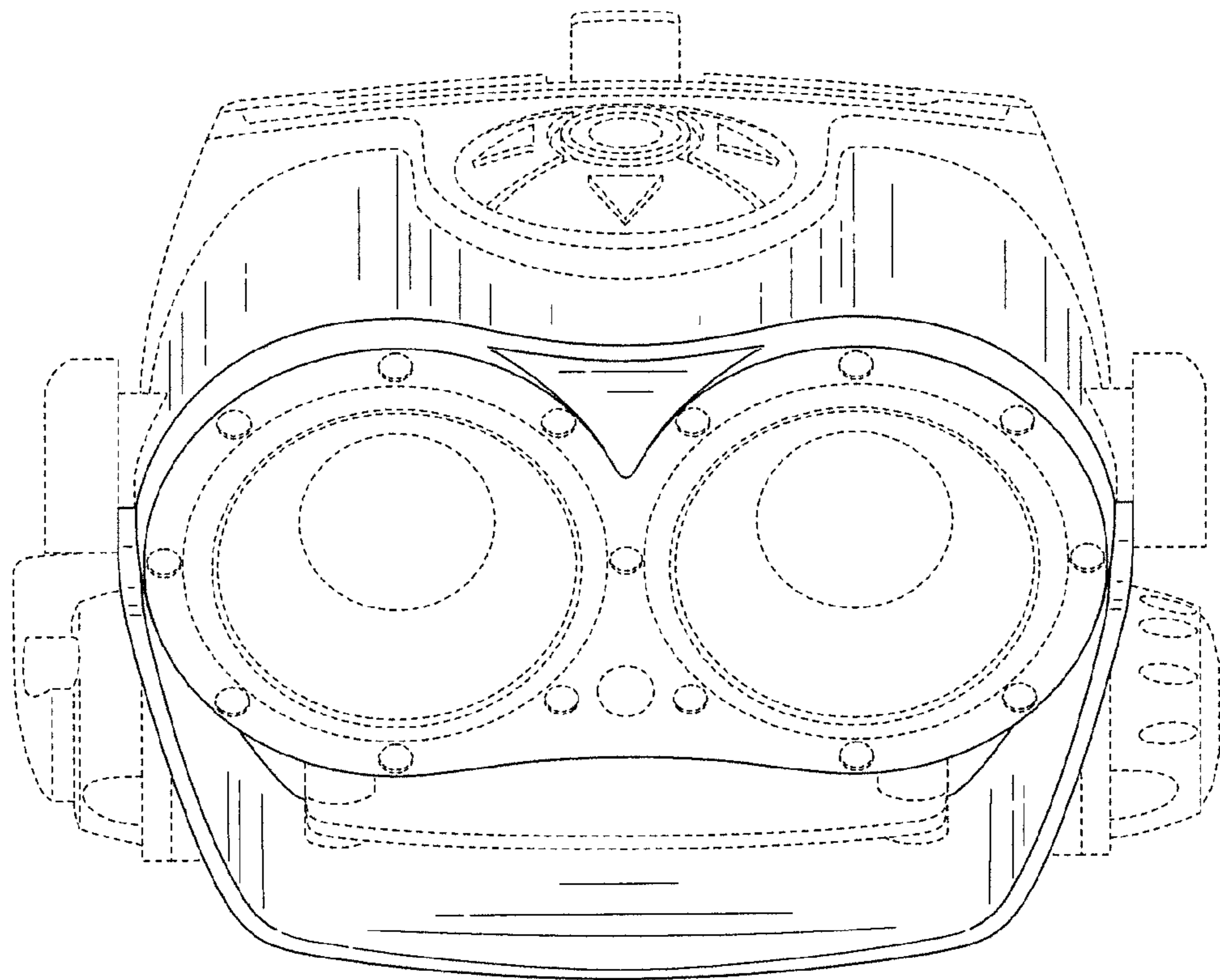


FIG. 2

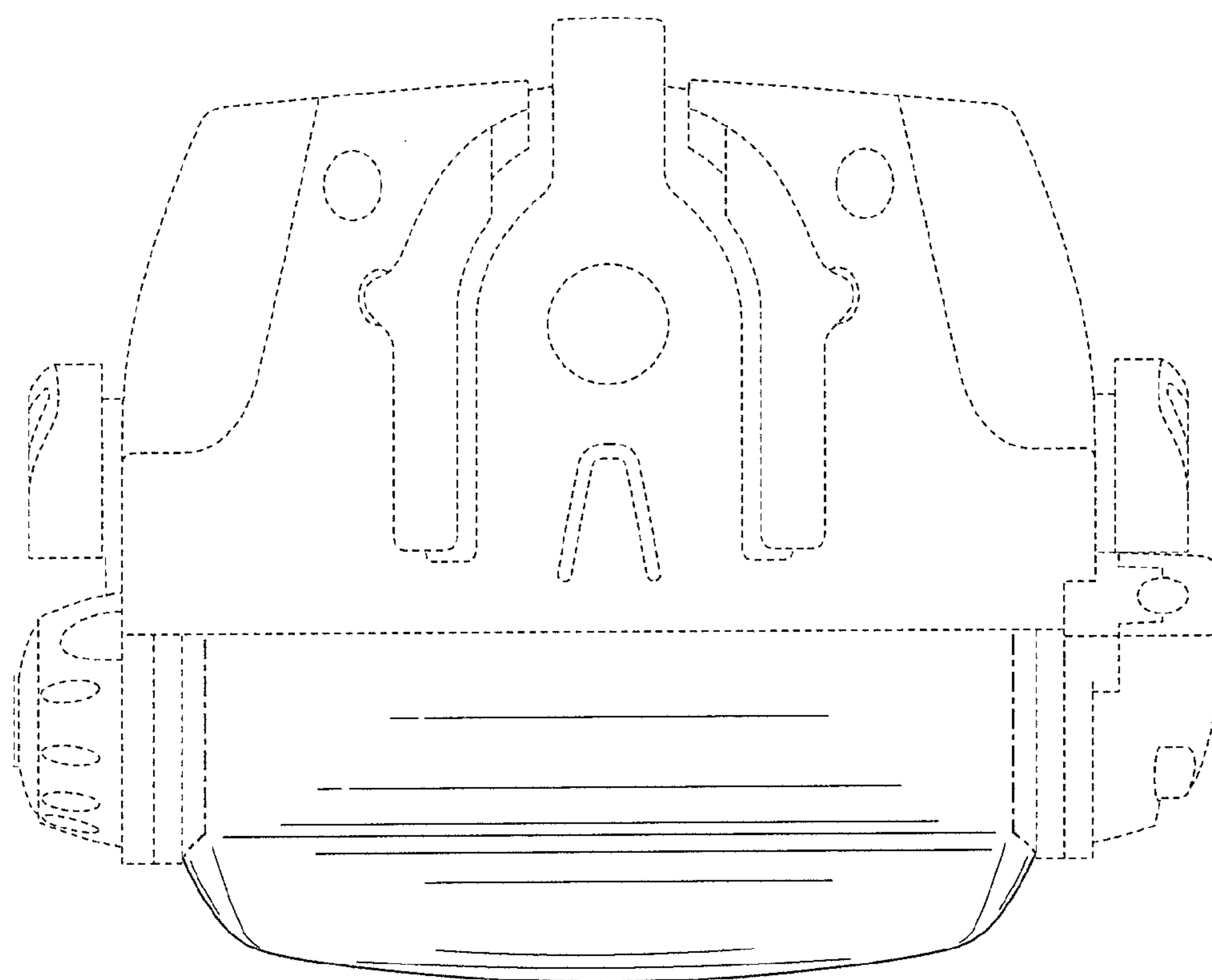


FIG. 3

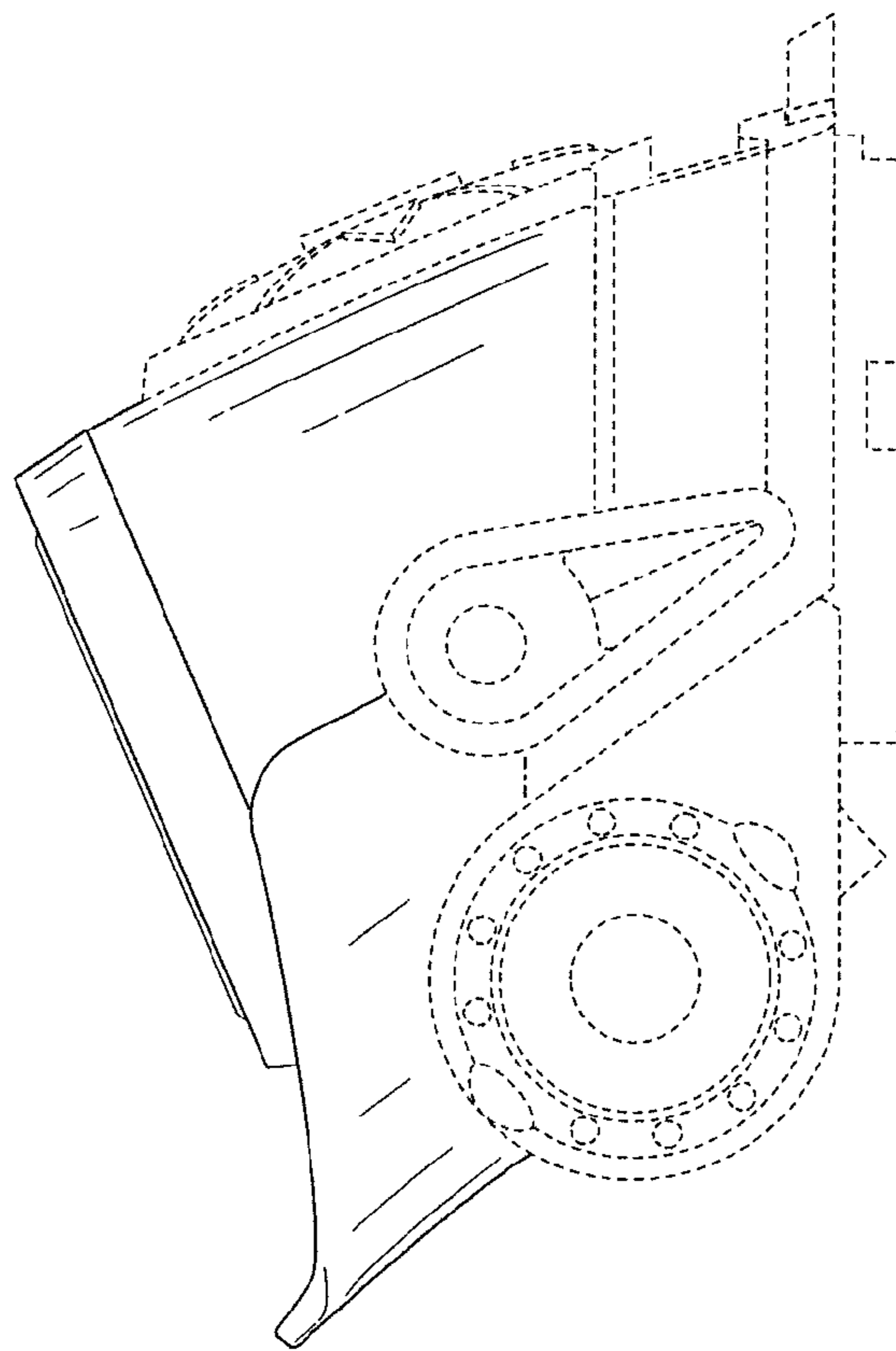


FIG. 4

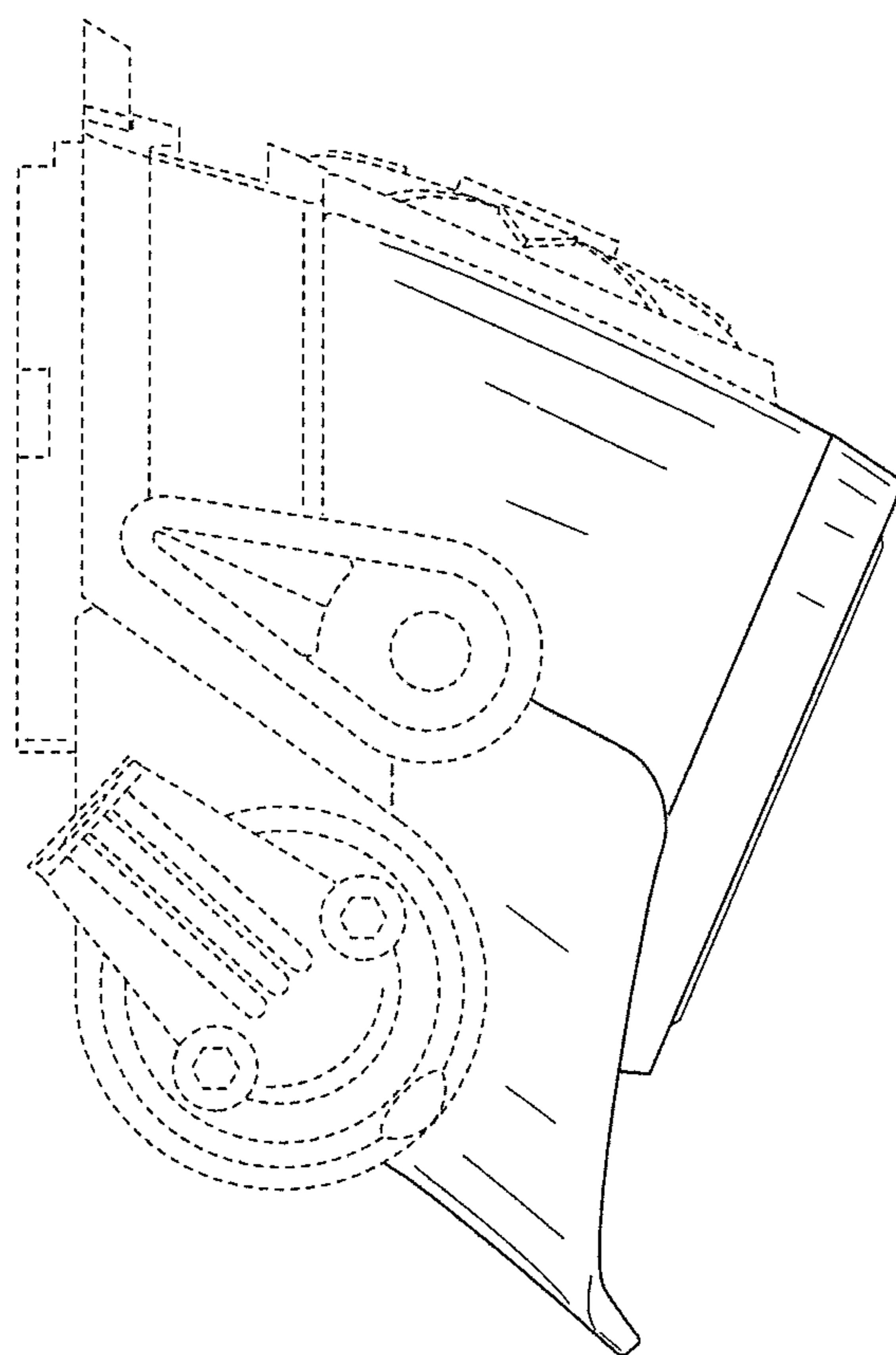


FIG. 5

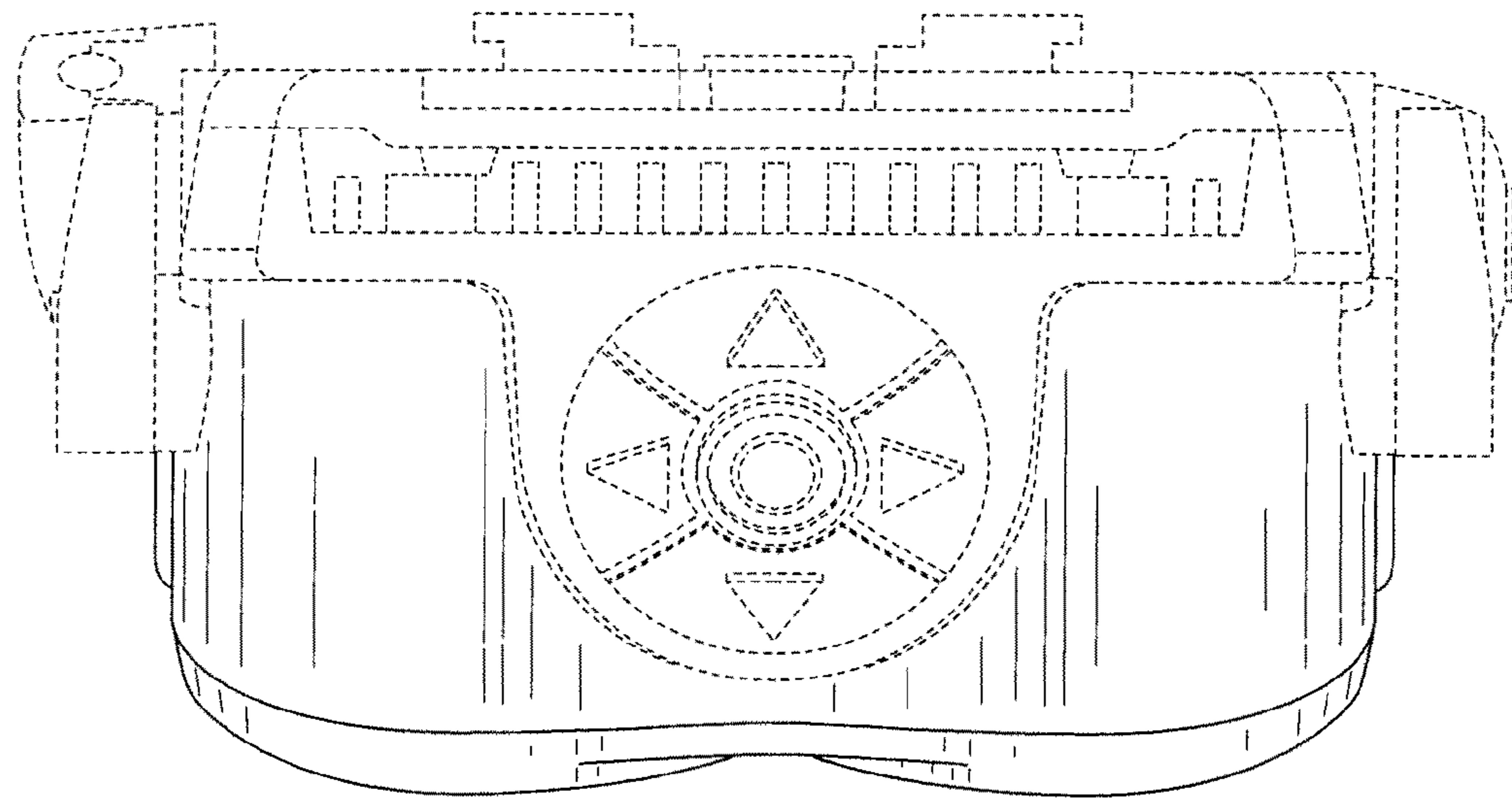


FIG. 6

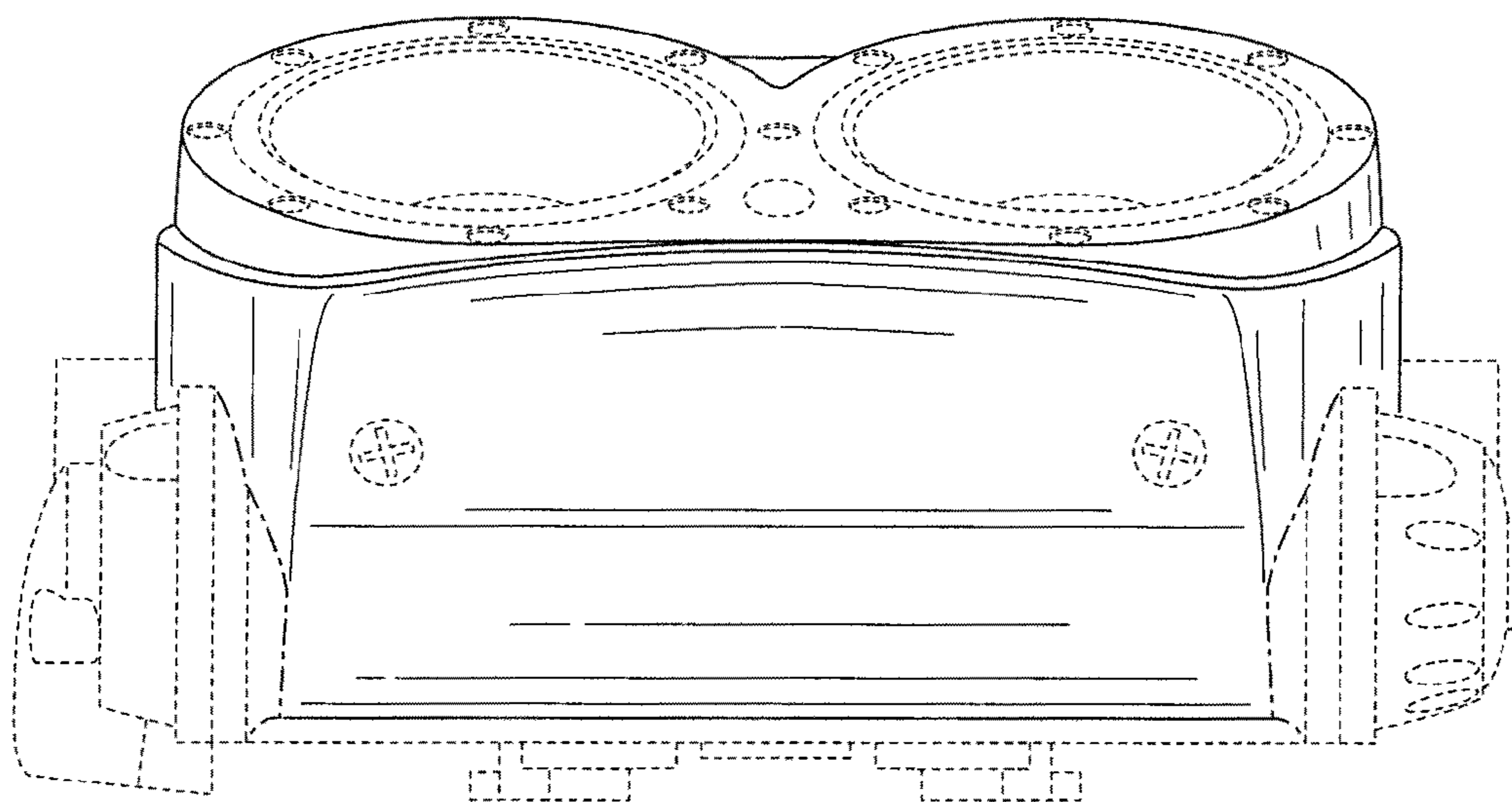


FIG. 7