



US00D745729S

(12) **United States Design Patent**
Salmon

(10) **Patent No.:** **US D745,729 S**

(45) **Date of Patent:** **** *Dec. 15, 2015**

(54) **HEADLIGHT**

(71) Applicant: **Flying Dragon Development Limited,**
New Territories (HK)

(72) Inventor: **Daniel Graham Salmon,** New
Territories (HK)

(73) Assignee: **FLYING DRAGON DEVELOPMENT**
LIMITED, New Territories (HK)

(*) Notice: This patent is subject to a terminal dis-
claimer.

(**) Term: **14 Years**

(21) Appl. No.: **29/465,263**

(22) Filed: **Aug. 26, 2013**

(51) **LOC (10) Cl.** **26-02**

(52) **U.S. Cl.**
USPC **D26/39**

(58) **Field of Classification Search**
USPC D26/37-38, 28, 39, 46, 49, 60;
362/103, 105, 106, 108, 157, 158, 183,
362/184, 194-196, 200-208
See application file for complete search history.

(56) **References Cited**

U.S. PATENT DOCUMENTS

4,788,631 A * 11/1988 Fuller 362/103
D542,450 S * 5/2007 Shiu D26/60
D553,270 S * 10/2007 Xu D26/28
D573,736 S * 7/2008 Poon D26/39

D590,975 S * 4/2009 Ma D26/60
D598,149 S * 8/2009 Leslie et al. D26/37
D603,539 S * 11/2009 Shiu D26/39
D633,635 S * 3/2011 Poon D26/60
D650,103 S * 12/2011 Lee D26/39
D656,644 S * 3/2012 Lee D26/39
D666,343 S * 8/2012 Lee D26/39
D672,483 S * 12/2012 Tedesco D26/39

* cited by examiner

Primary Examiner — Ian Simmons

Assistant Examiner — Carissa C Fitts

(74) *Attorney, Agent, or Firm* — Rabin & Berdo, P.C.

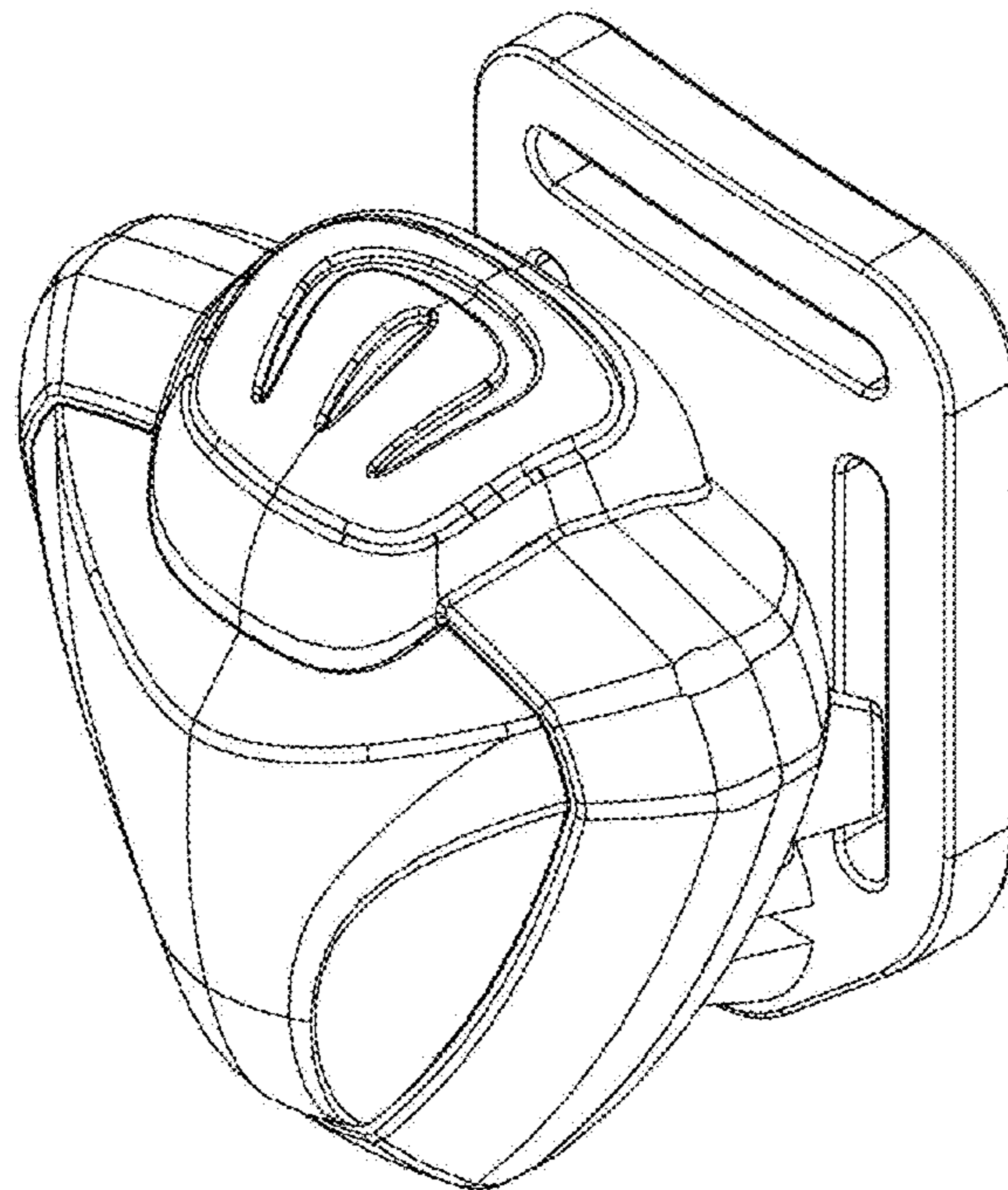
(57) **CLAIM**

The ornamental design for a headlight, as shown and
described.

DESCRIPTION

FIG. 1 is a front view of a headlight showing my new design;
FIG. 2 is a rear view thereof;
FIG. 3 is a left side view thereof;
FIG. 4 is a right side view thereof;
FIG. 5 is a top plan view thereof;
FIG. 6 is a bottom plan view thereof;
FIG. 7 is a perspective view thereof;
FIG. 8 is another perspective view thereof;
FIG. 9 is another perspective view thereof;
FIG. 10 is another right side view thereof, shown in an alter-
nate position;
FIG. 11 is another front view thereof, shown in an alternate
position; and,
FIG. 12 is another front view thereof, shown in an alternate
position.

1 Claim, 12 Drawing Sheets



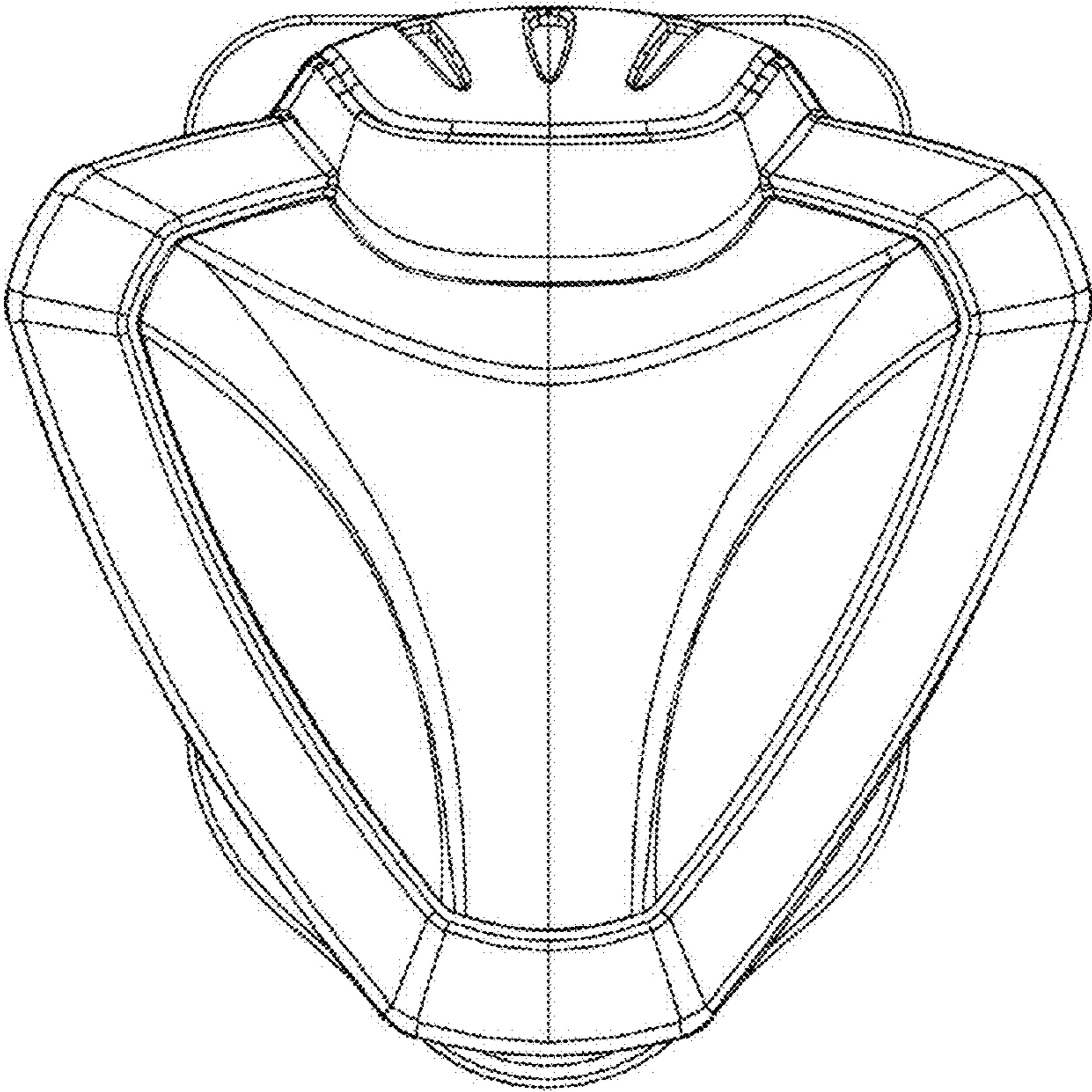


FIG. 1

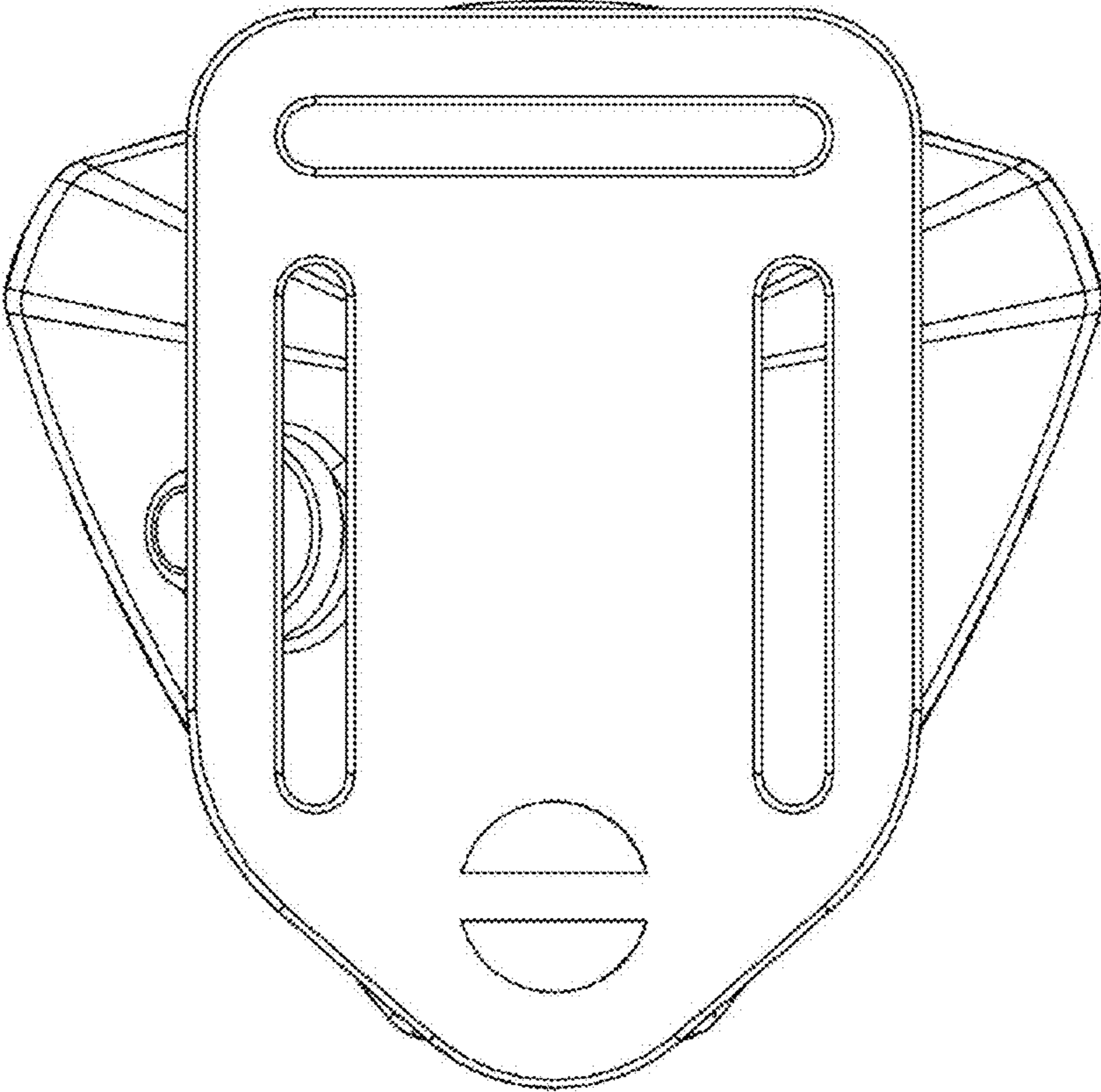


FIG. 2

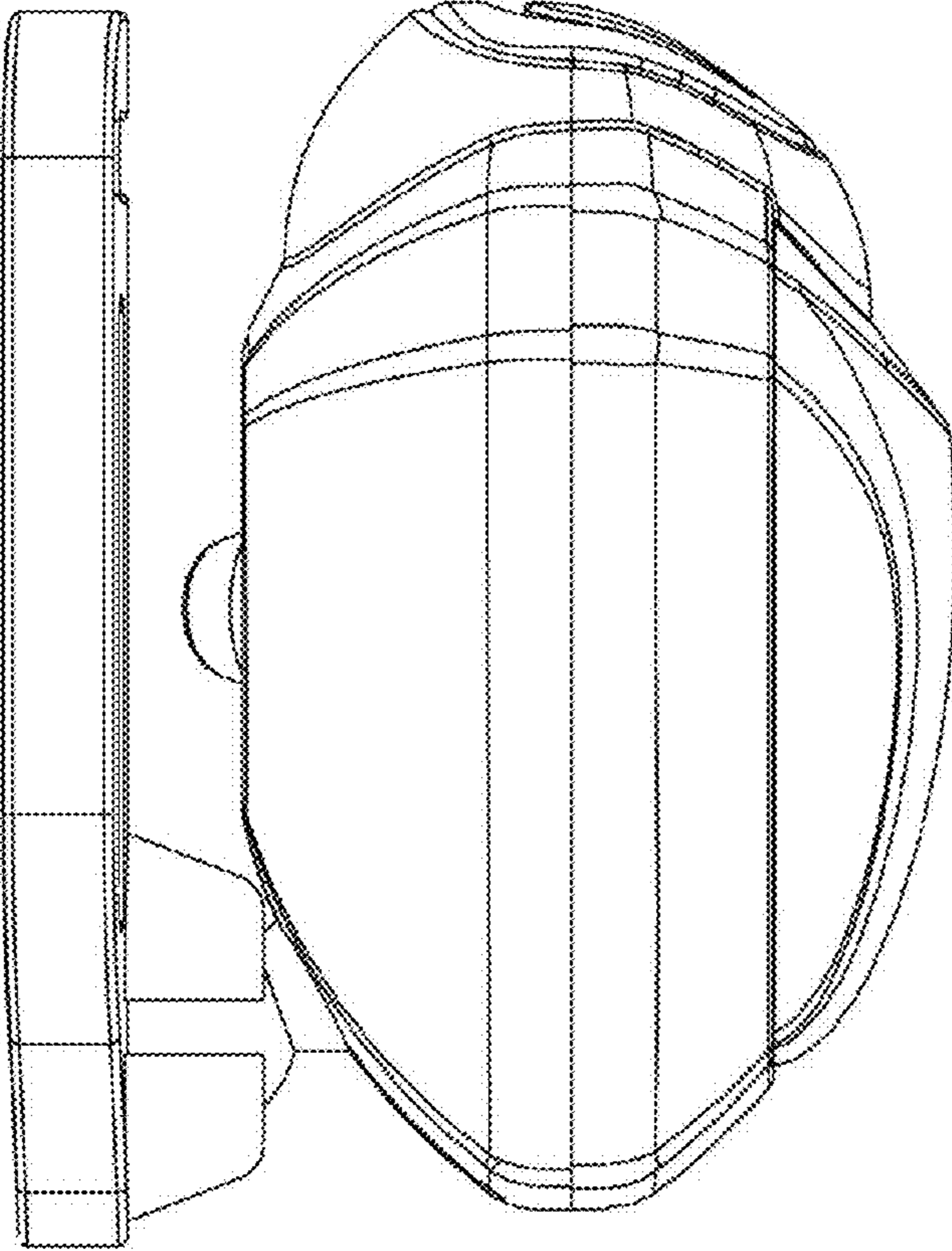


FIG. 3

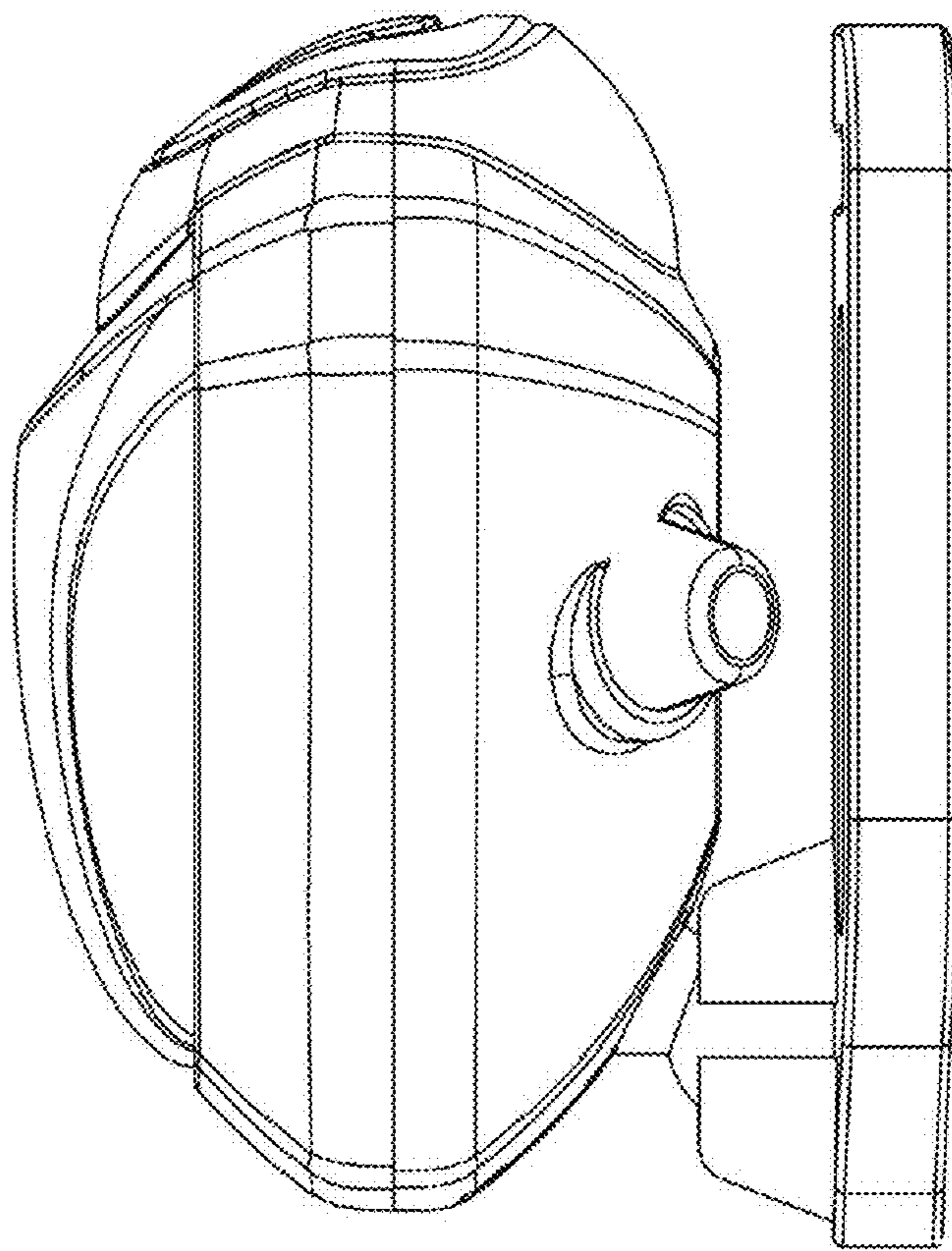


FIG. 4

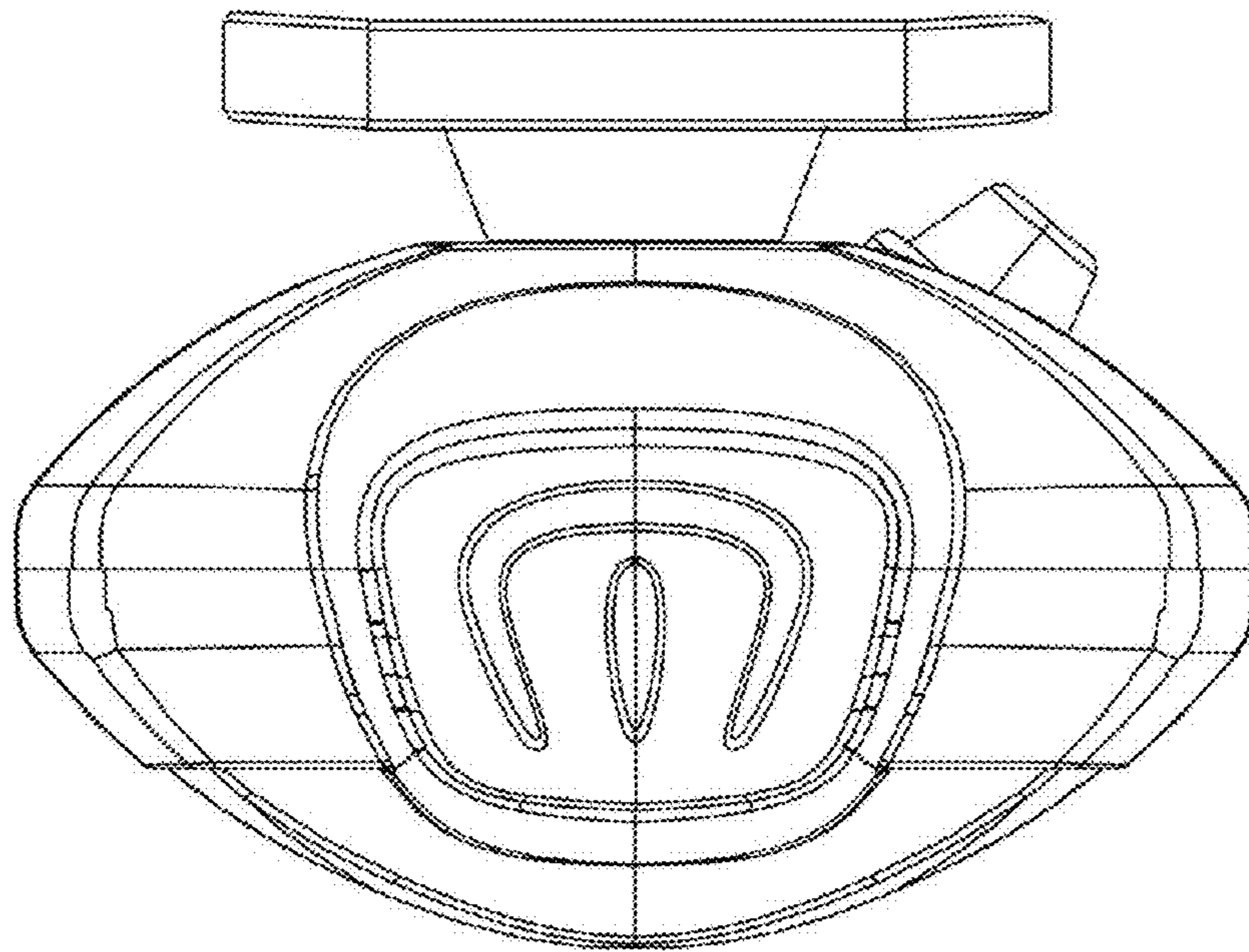


FIG. 5

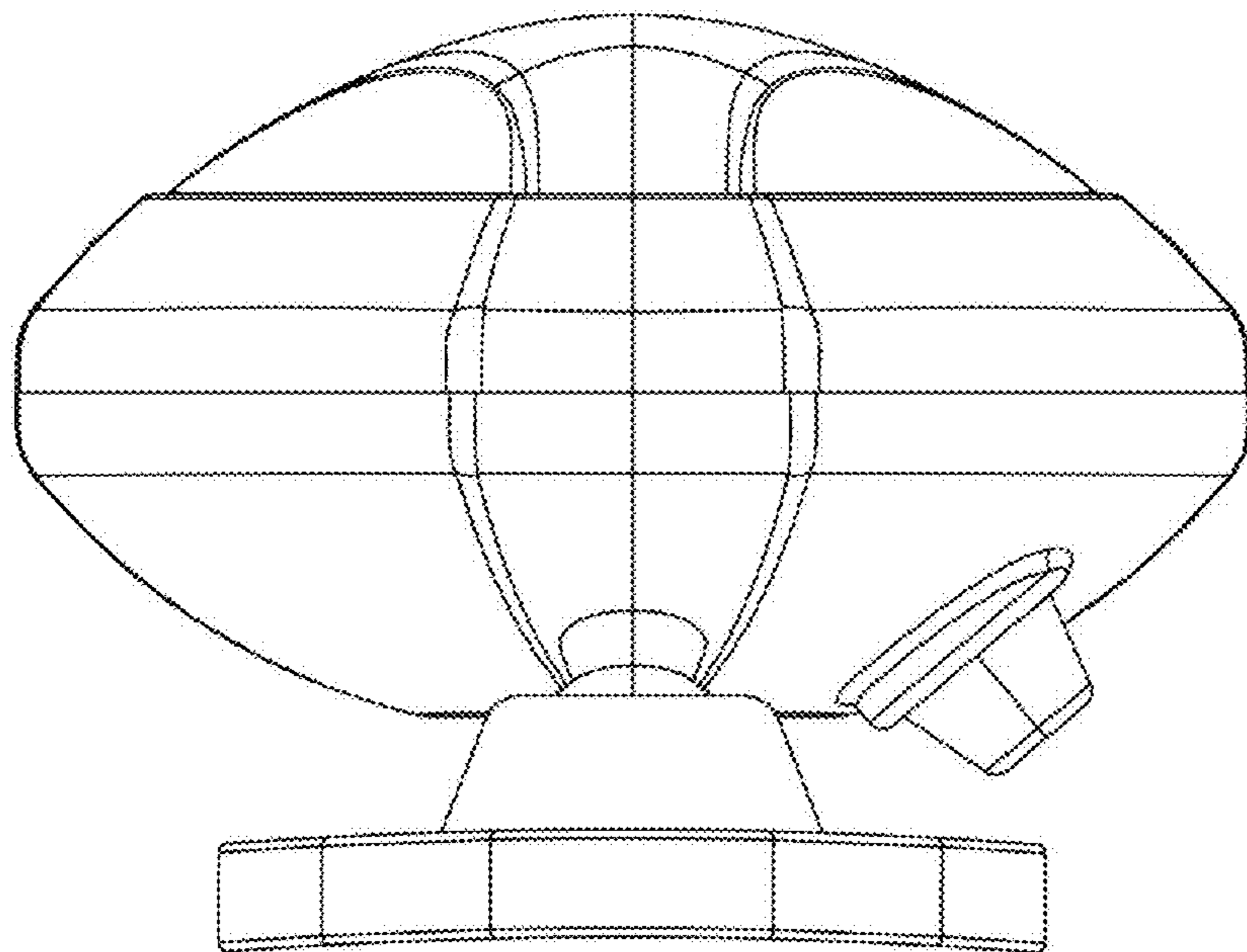


FIG. 6

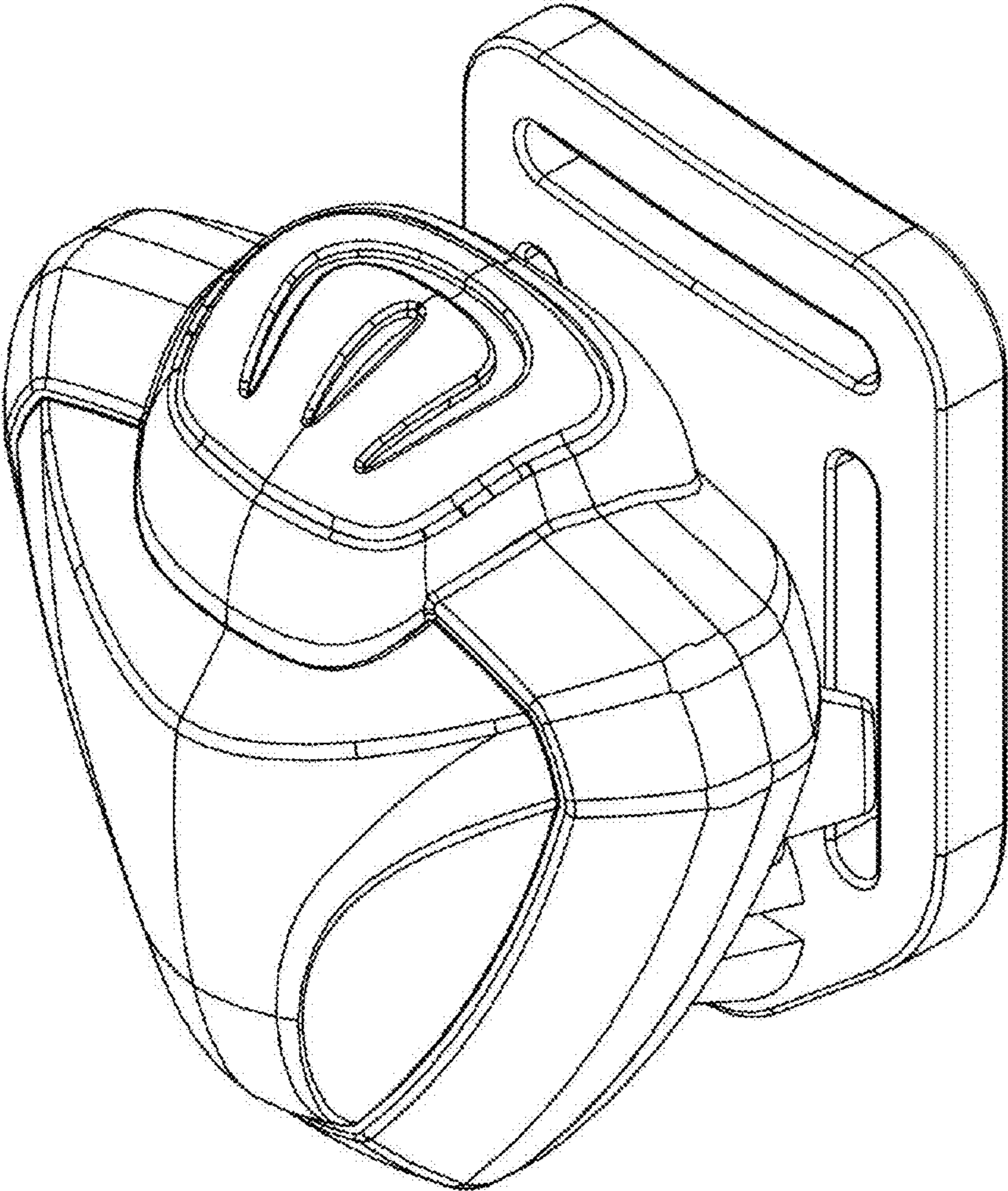


FIG. 7

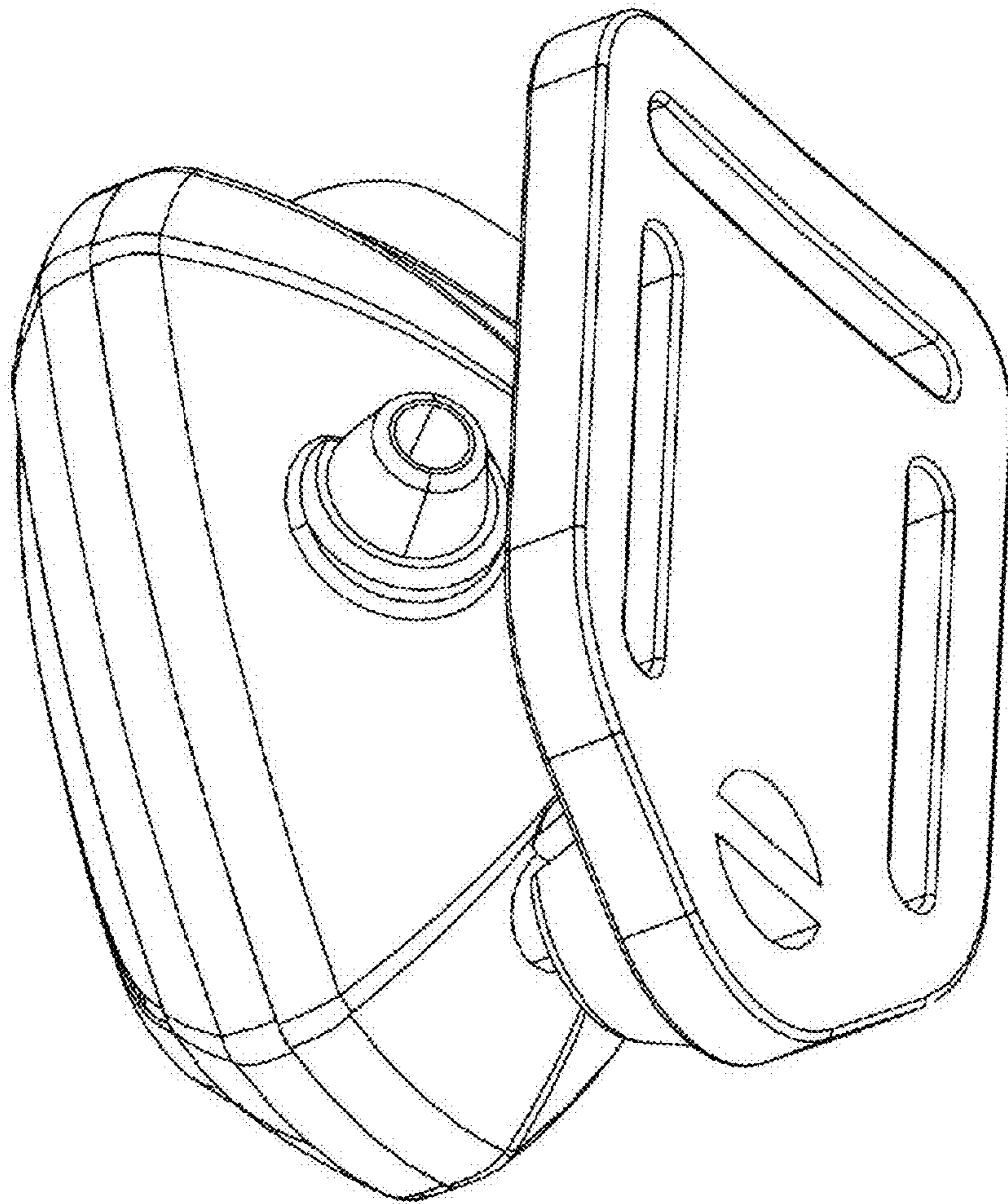


FIG. 8

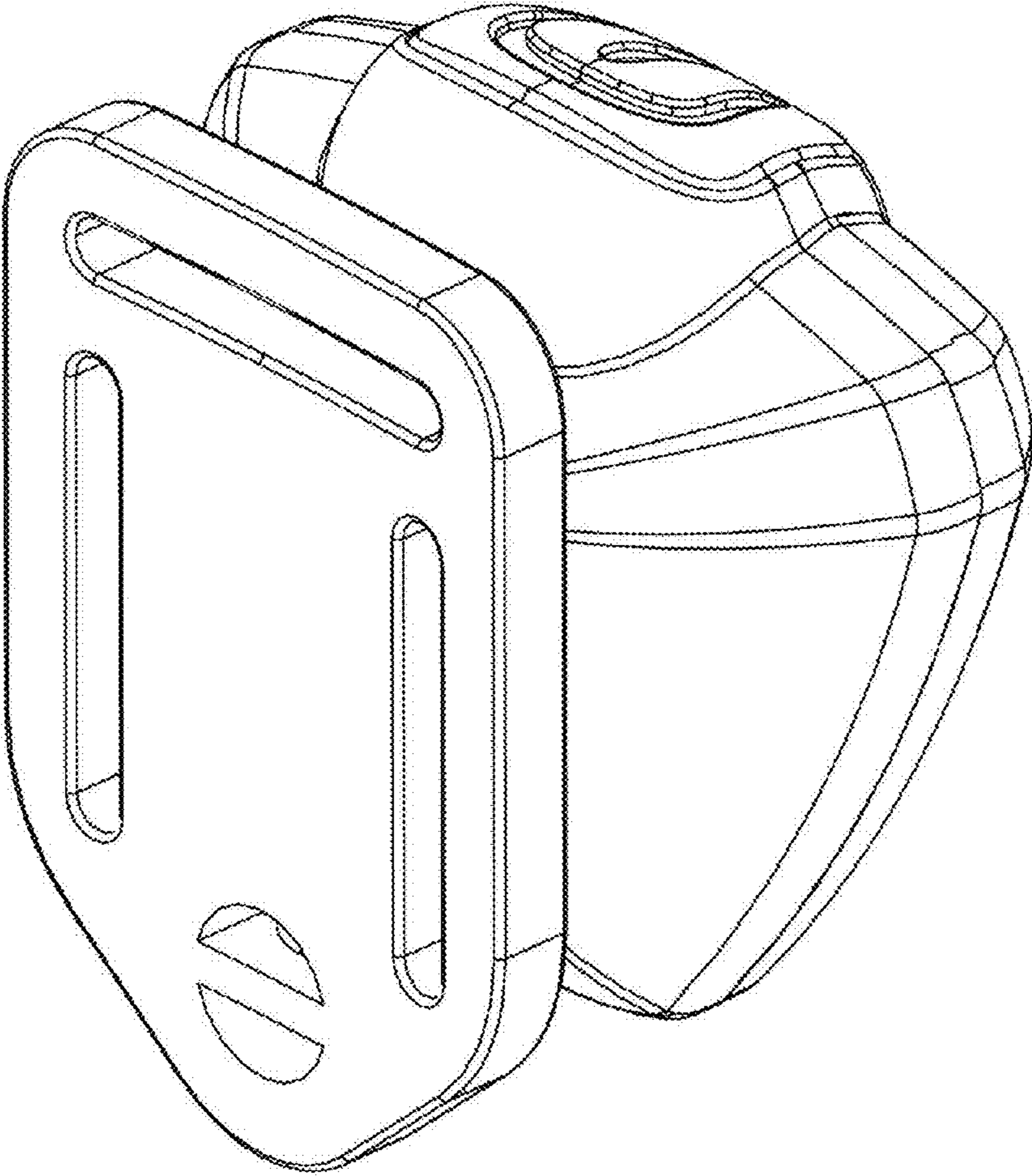


FIG. 9

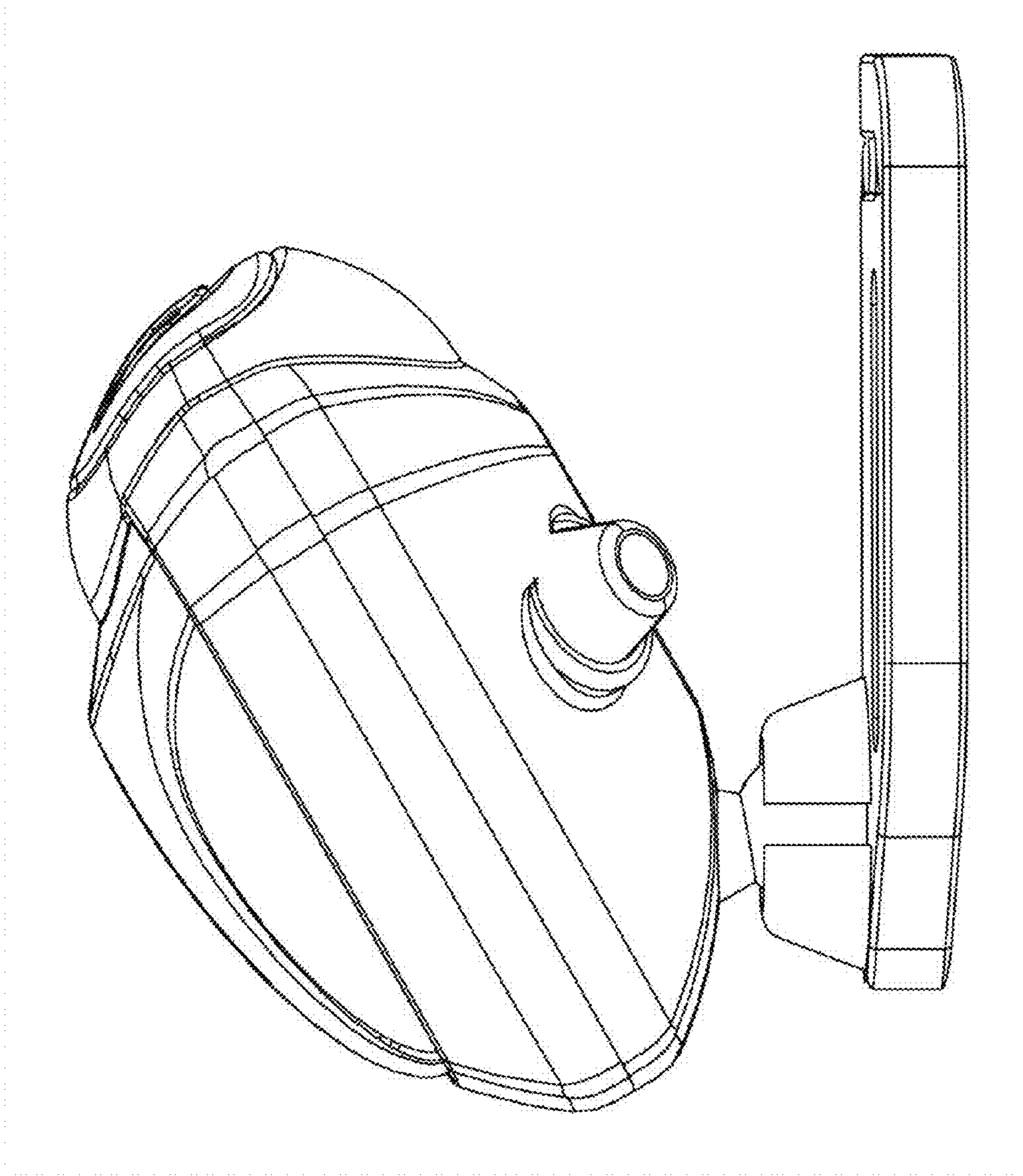


FIG. 10

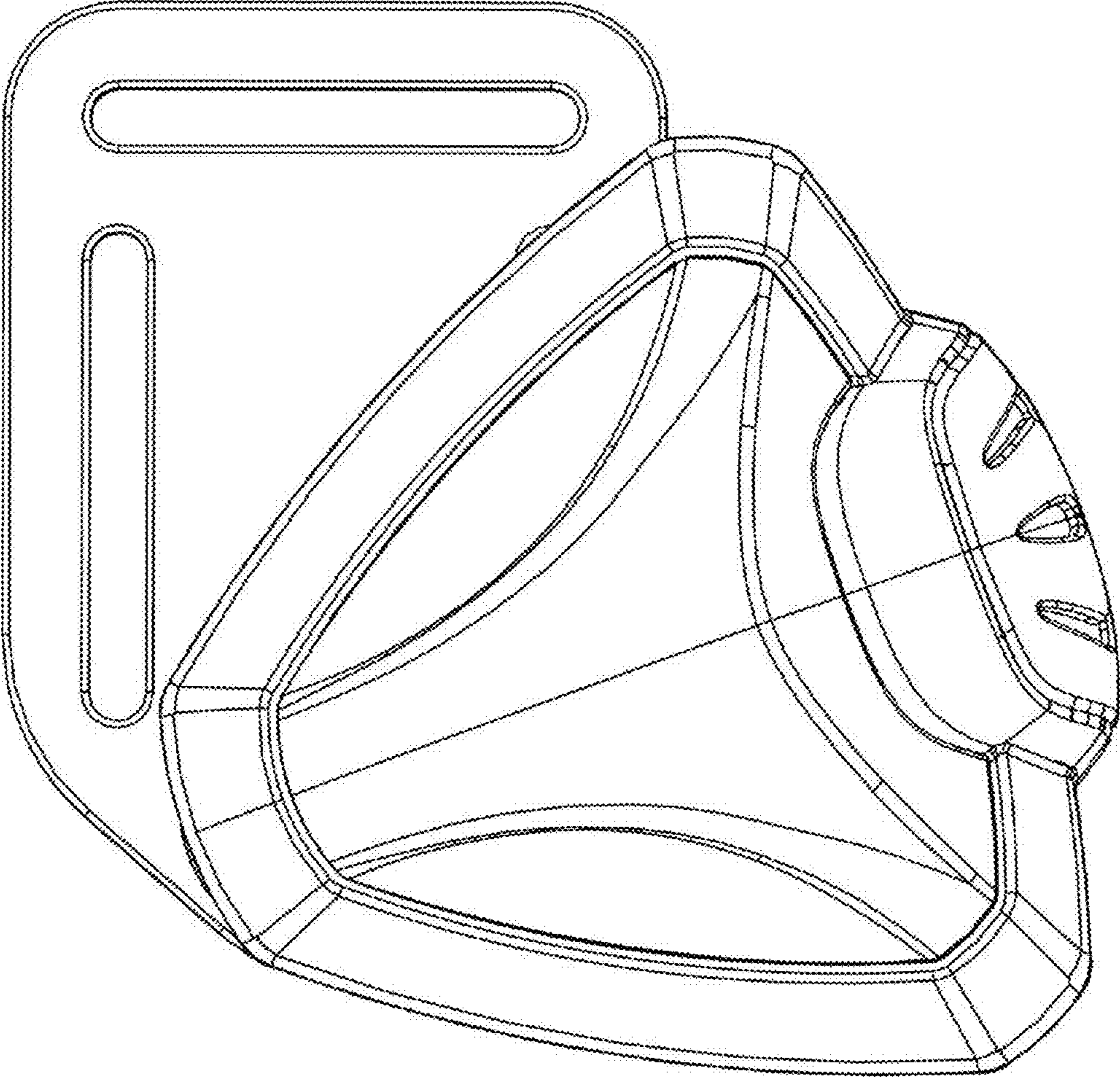


FIG. 11

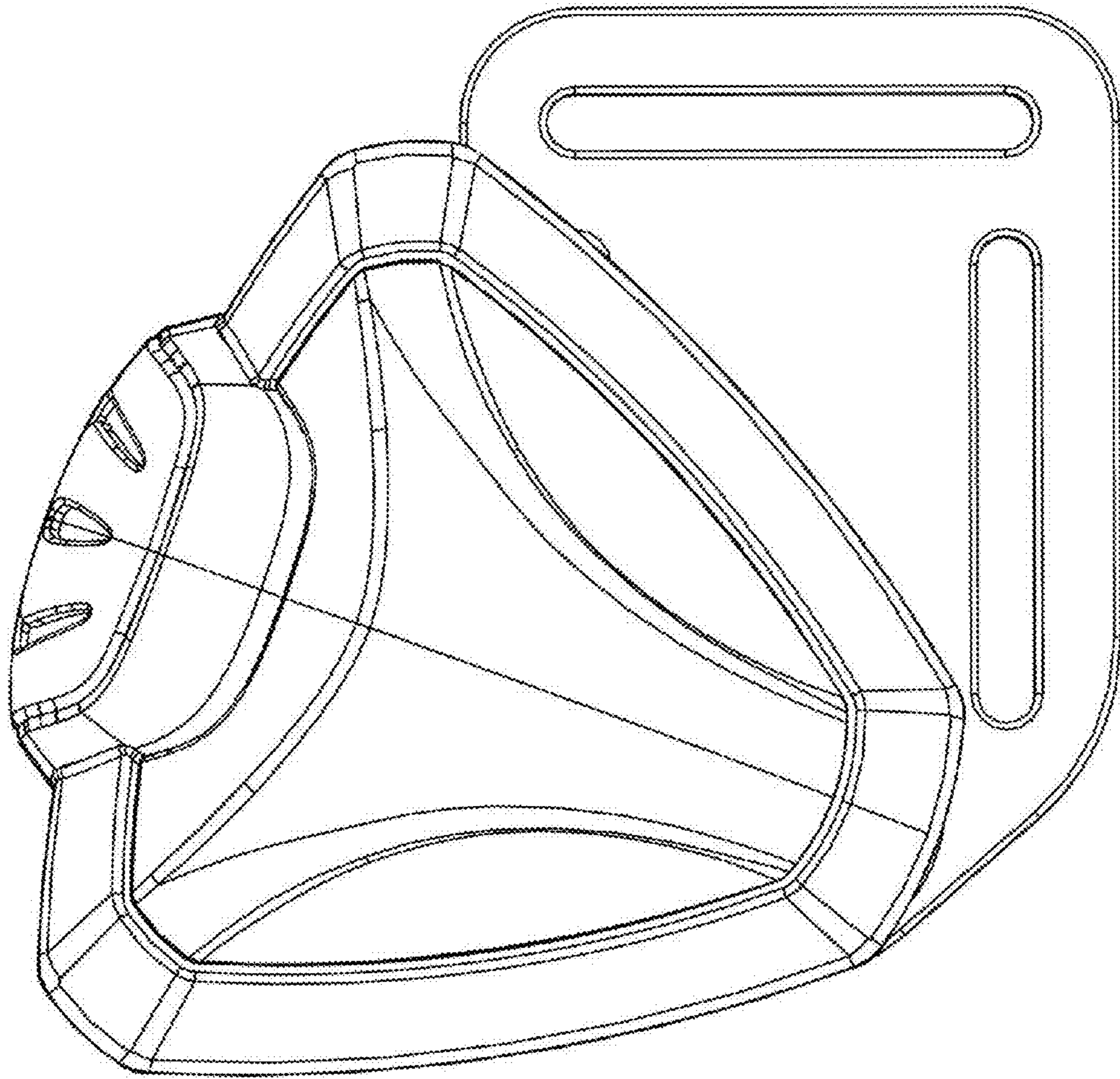


FIG. 12