



US00D745728S

(12) **United States Design Patent**  
**Ruthling**

(10) **Patent No.:** **US D745,728 S**

(45) **Date of Patent:** **\*\* Dec. 15, 2015**

(54) **BICYCLE HEADLIGHT**

(71) Applicant: **Carleton Ruthling**, Vienna, VA (US)

(72) Inventor: **Carleton Ruthling**, Vienna, VA (US)

(\*\*) Term: **14 Years**

(21) Appl. No.: **29/506,493**

(22) Filed: **Oct. 16, 2014**

(51) **LOC (10) Cl.** ..... **26-06**

(52) **U.S. Cl.**  
USPC ..... **D26/28**

(58) **Field of Classification Search**  
USPC ..... D26/28-36; 362/396-399, 473-476  
CPC ..... B62J 6/001; B62J 6/003; B62J 6/02;  
F21S 4/00; F21V 21/00

See application file for complete search history.

(56) **References Cited**

U.S. PATENT DOCUMENTS

D357,989 S \* 5/1995 Nagano ..... D26/28  
D670,838 S \* 11/2012 Ueda ..... D26/28  
D678,562 S \* 3/2013 Chan ..... D26/28

\* cited by examiner

*Primary Examiner* — Marcus Jackson

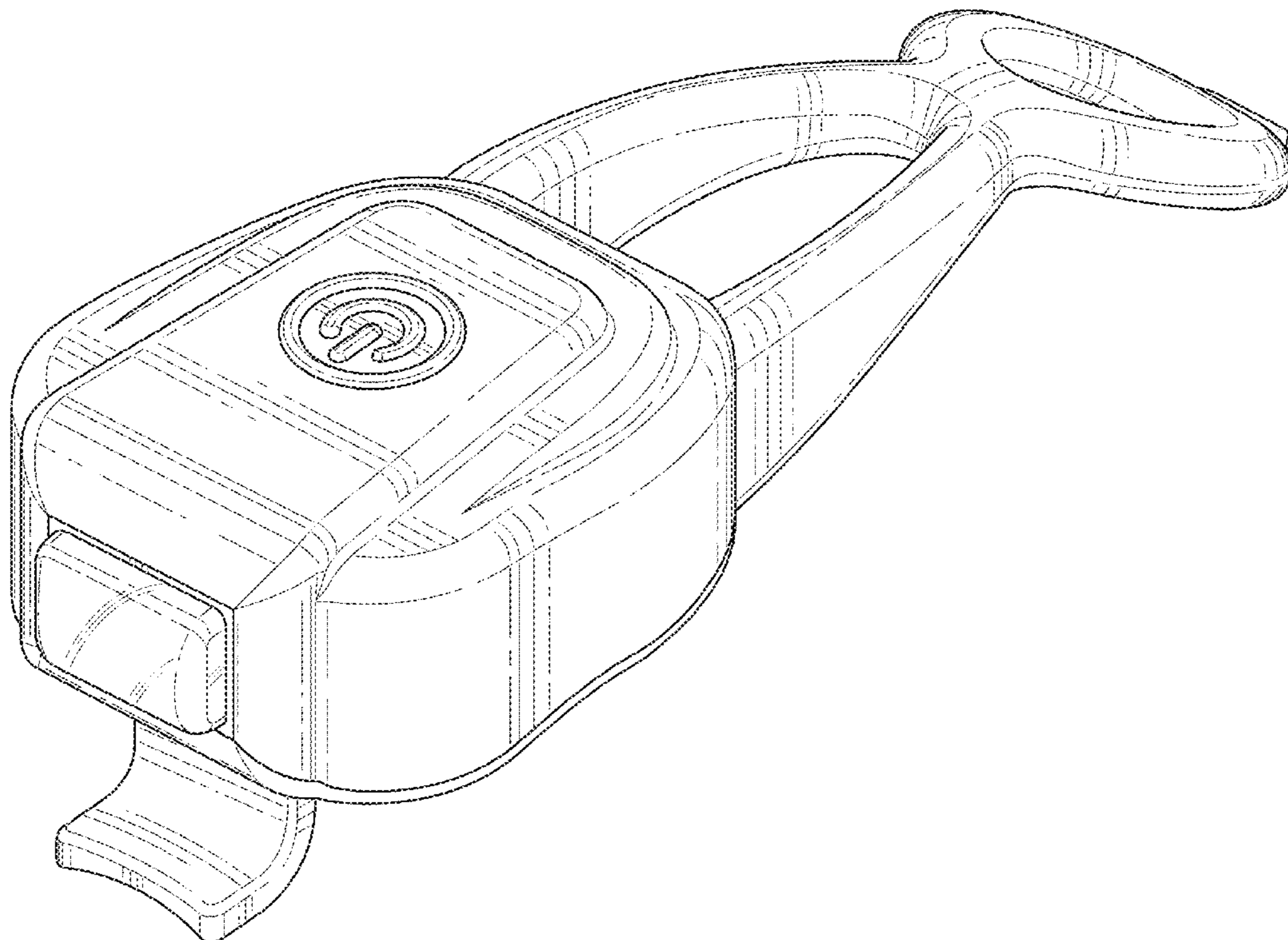
(57) **CLAIM**

The ornamental design for a bicycle headlight, as shown and described.

**DESCRIPTION**

FIG. 1 is a front perspective view of the bicycle headlight showing my new design;  
FIG. 2 is a front view thereof;  
FIG. 3 is a rear view thereof;  
FIG. 4 is a right side view thereof;  
FIG. 5 is a left side view thereof;  
FIG. 6 is a top view thereof; and,  
FIG. 7 is a bottom view thereof.

**1 Claim, 7 Drawing Sheets**



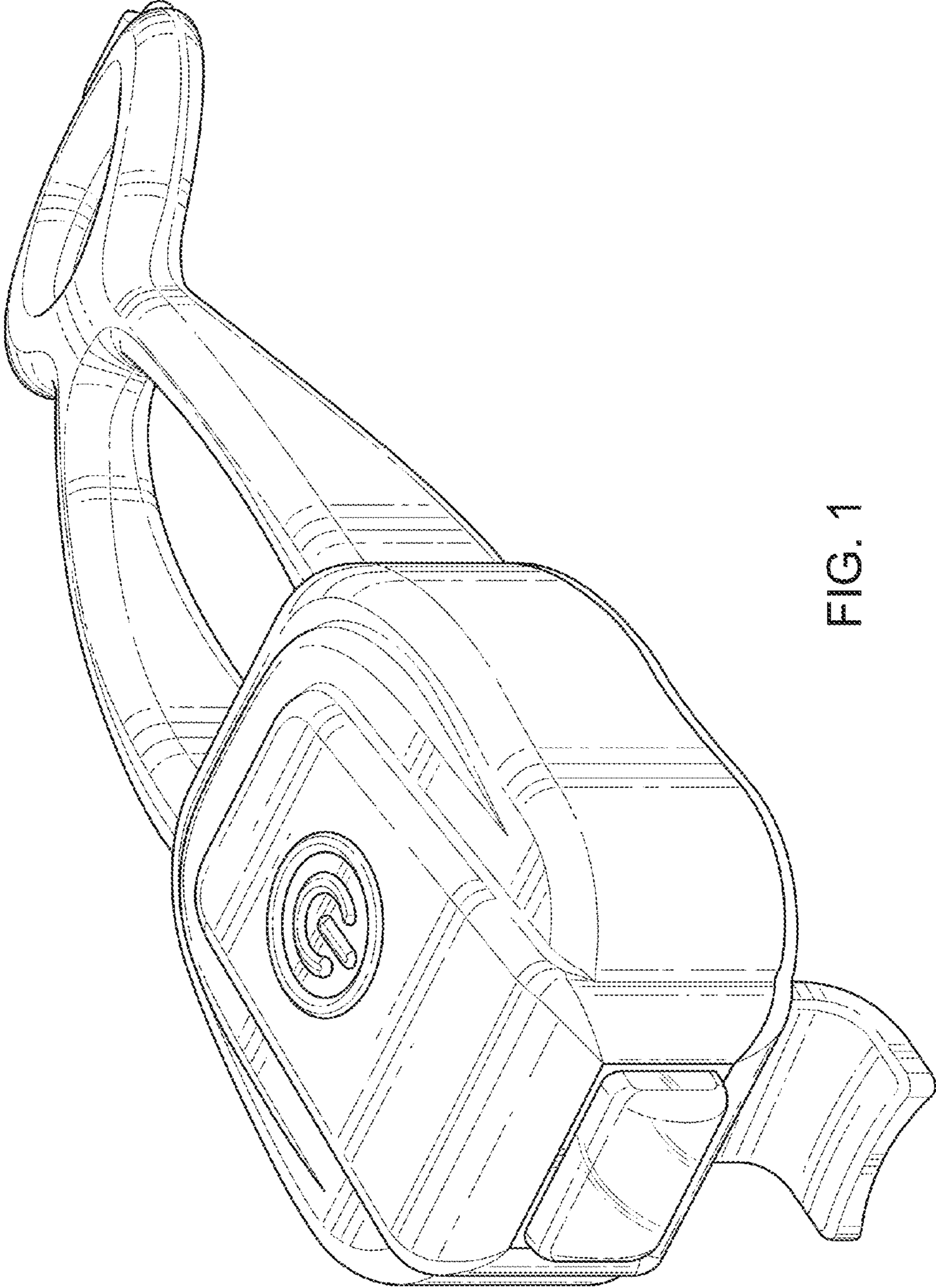


FIG. 1

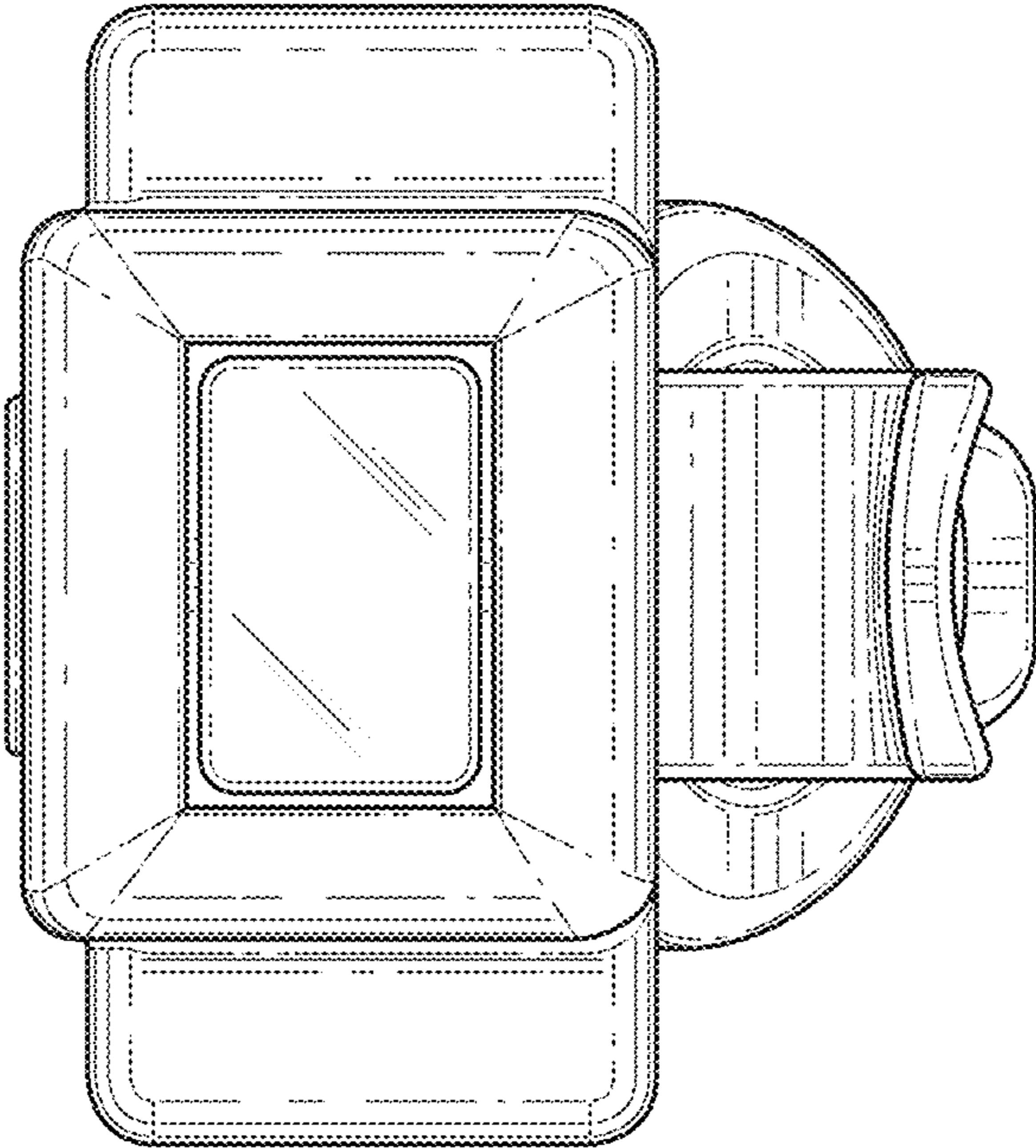


FIG. 2

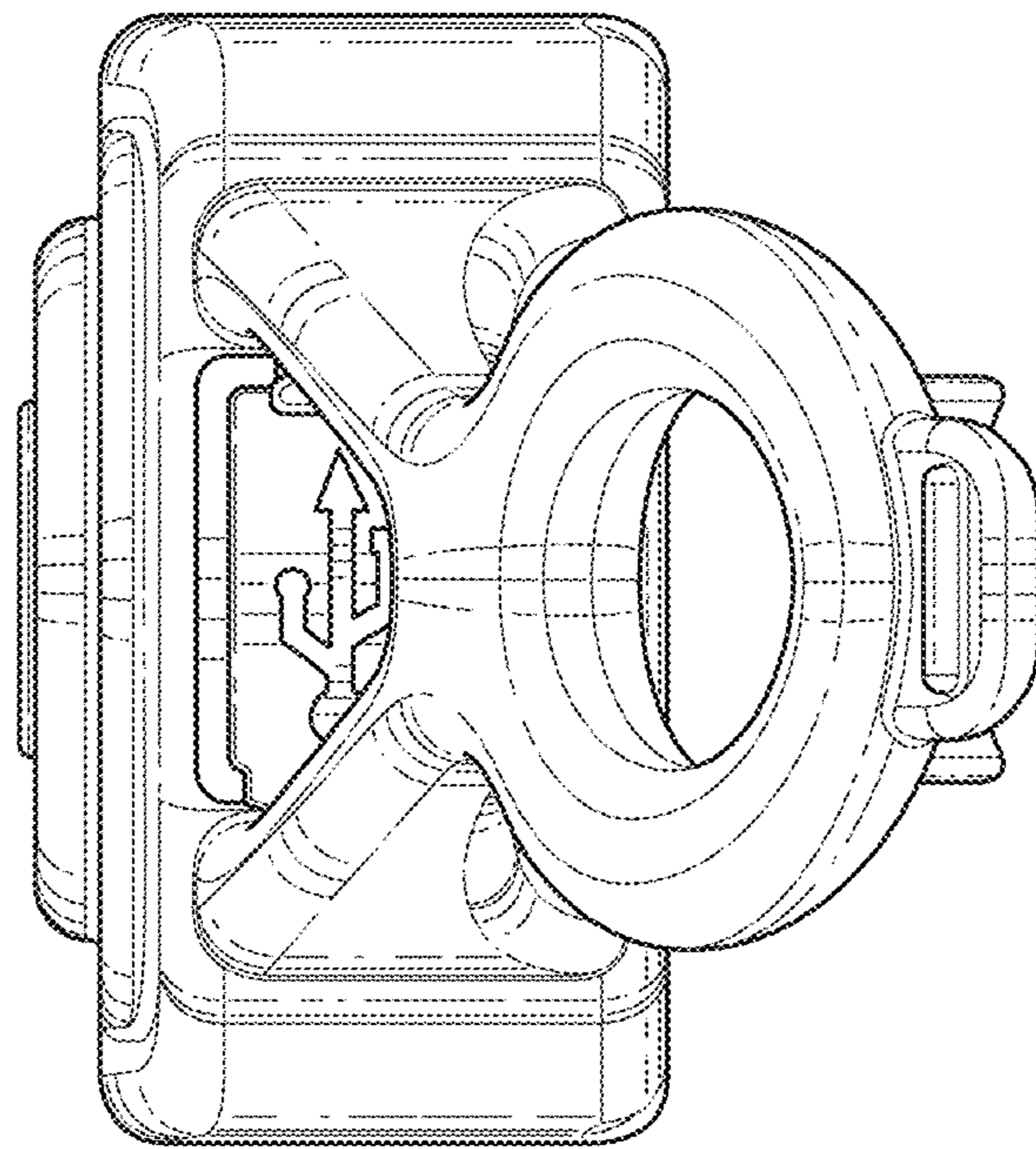


FIG. 3



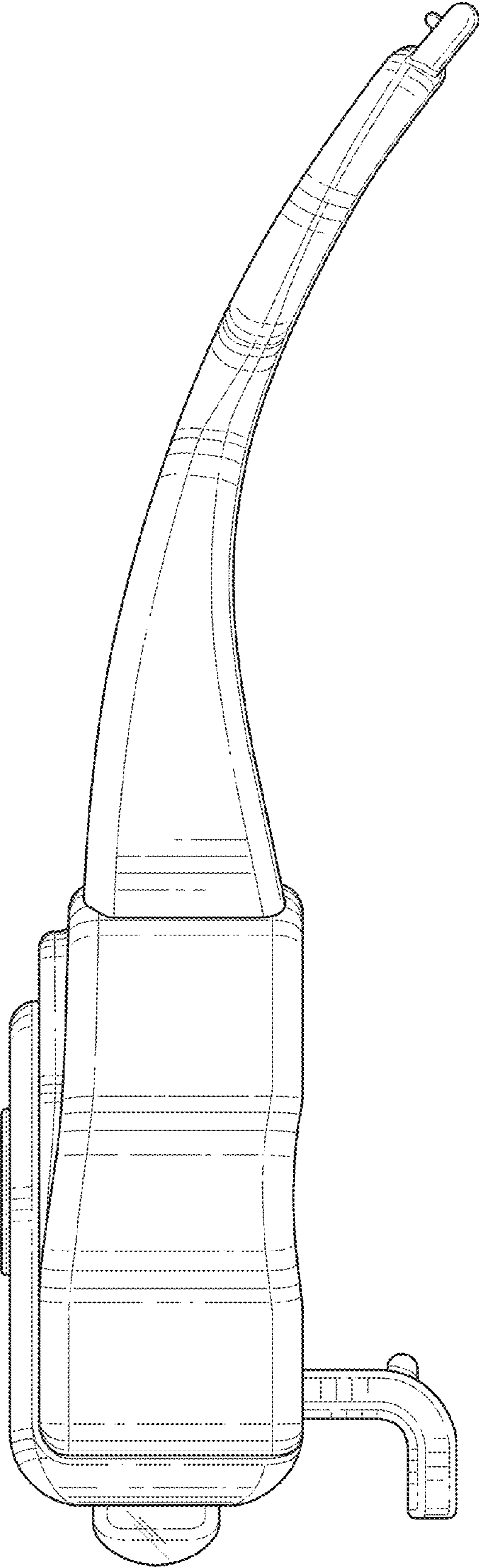


FIG. 4

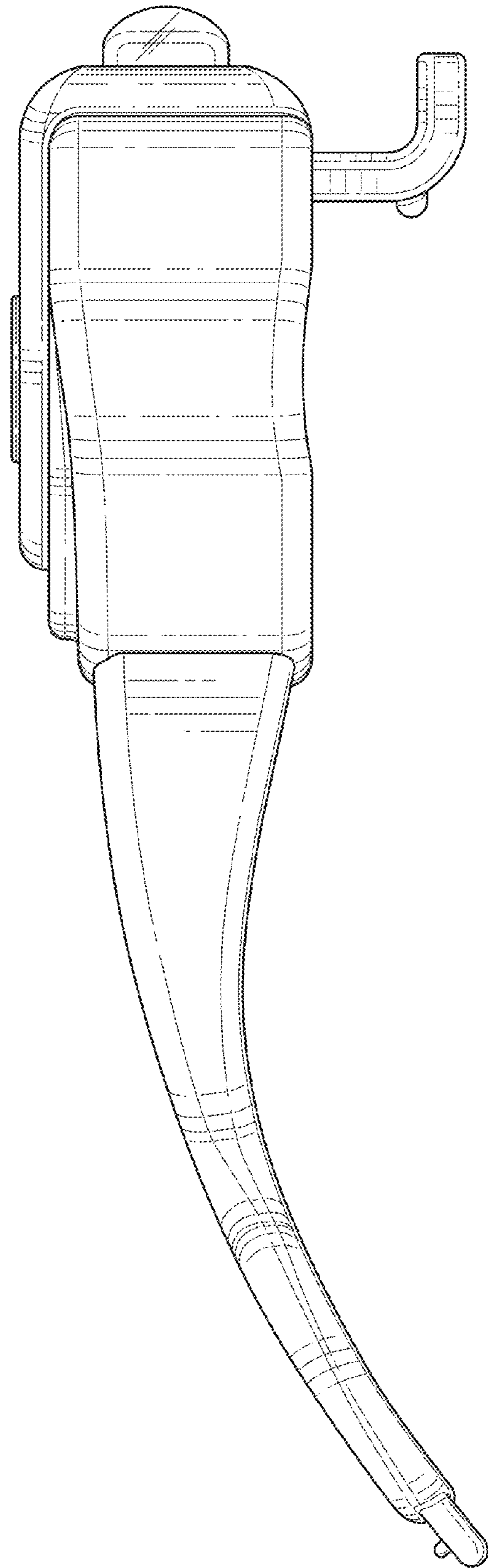


FIG. 5

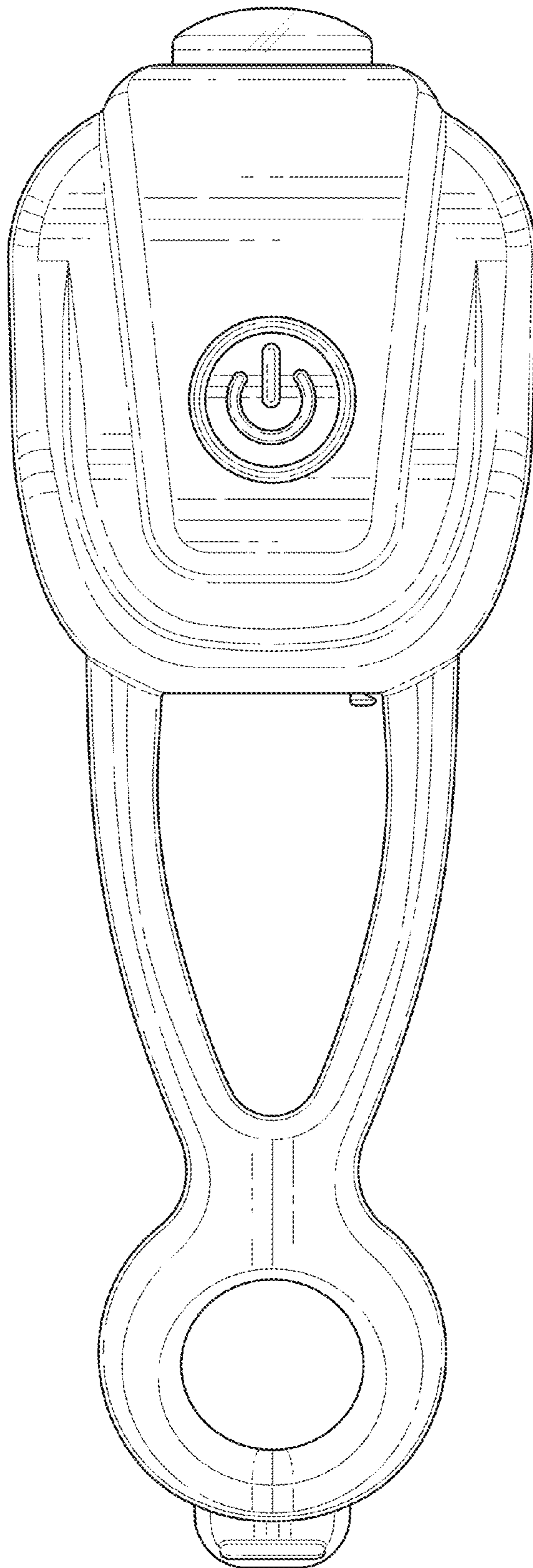


FIG. 6

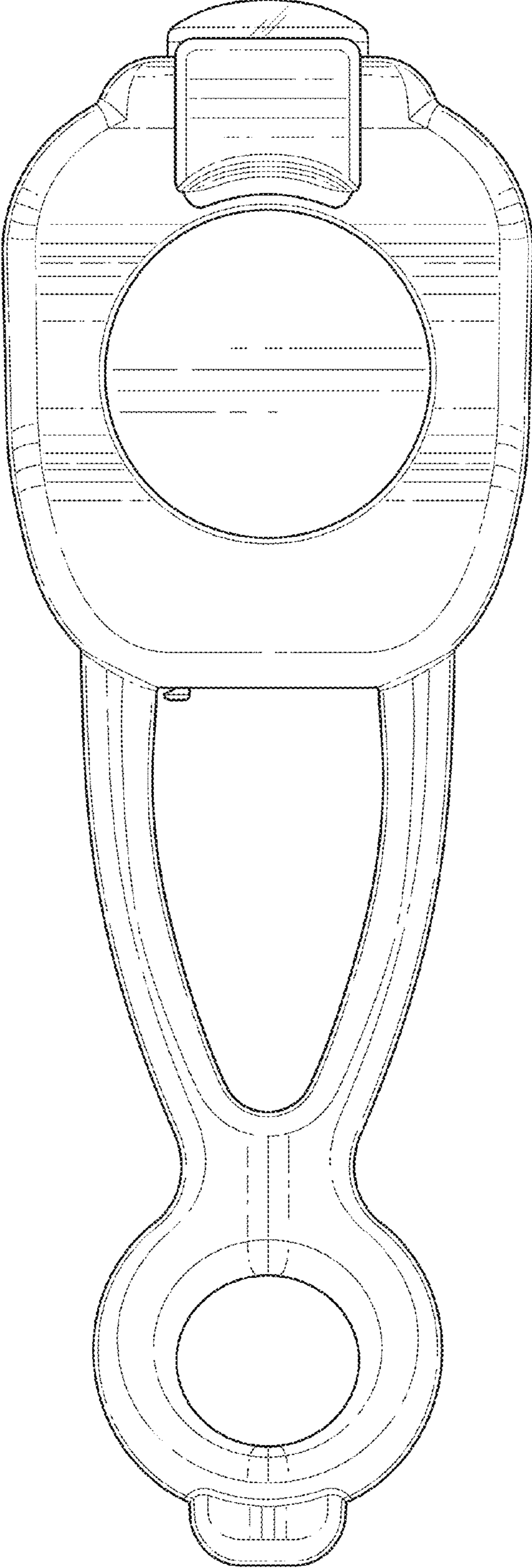


FIG. 7