



US00D745727S

(12) **United States Design Patent**
Ruthling

(10) **Patent No.:** **US D745,727 S**

(45) **Date of Patent:** **** Dec. 15, 2015**

(54) **BICYCLE TAILLIGHT**

(71) Applicant: **Carleton Ruthling**, Vienna, VA (US)

(72) Inventor: **Carleton Ruthling**, Vienna, VA (US)

(**) Term: **14 Years**

(21) Appl. No.: **29/506,486**

(22) Filed: **Oct. 16, 2014**

(51) **LOC (10) Cl.** **26-06**

(52) **U.S. Cl.**
USPC **D26/28**

(58) **Field of Classification Search**
USPC D26/28-36; 362/396-399, 473-476
CPC B62J 6/001; B62J 6/02; B62J 6/003;
F21S 4/00; F21V 21/00

See application file for complete search history.

(56) **References Cited**

U.S. PATENT DOCUMENTS

D357,989 S *	5/1995	Nagano	D26/28
D670,838 S *	11/2012	Ueda	D26/28
D684,284 S *	6/2013	Borovicka	D26/60

* cited by examiner

Primary Examiner — Marcus Jackson

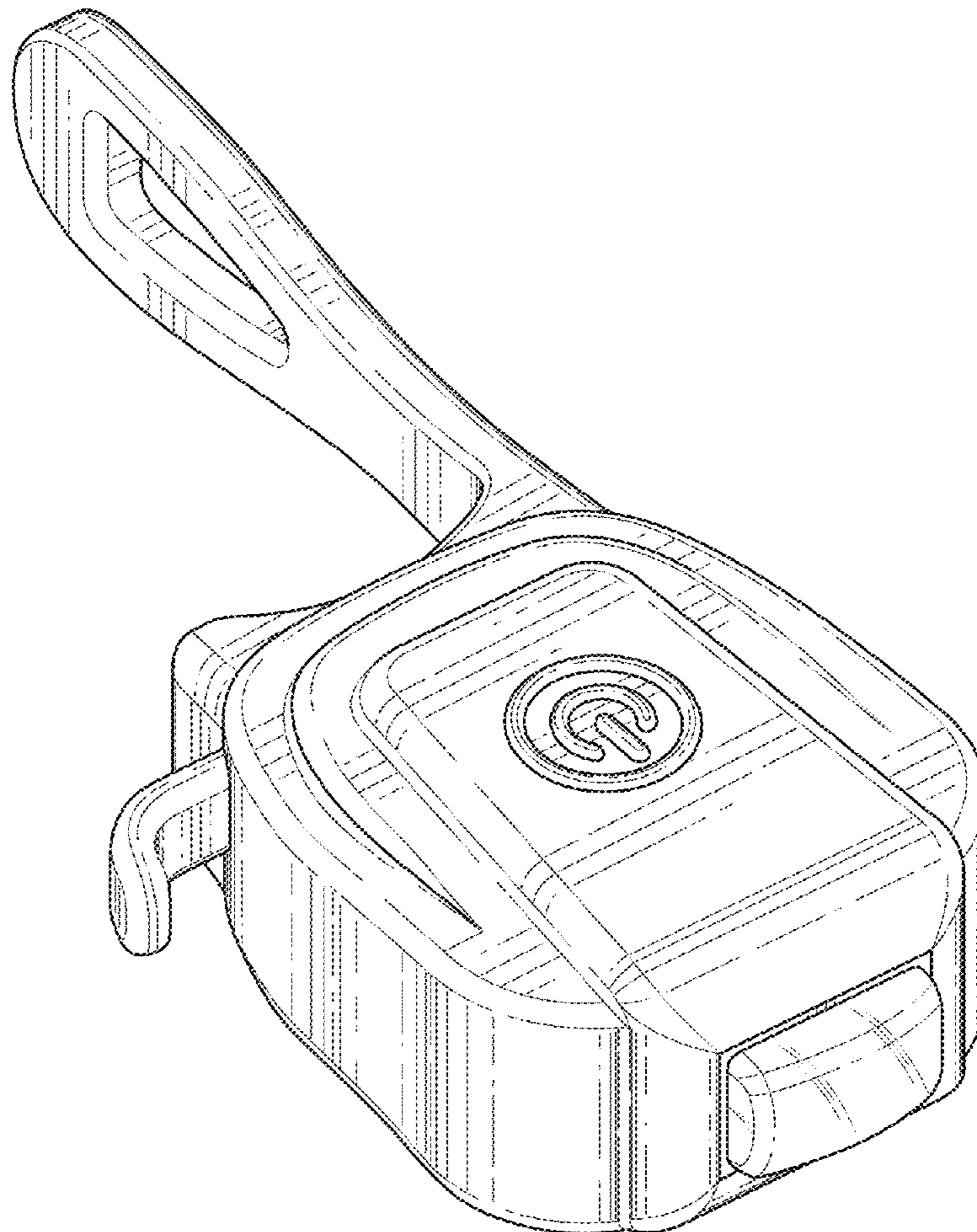
(57) **CLAIM**

The ornamental design for a bicycle taillight, as shown and described.

DESCRIPTION

FIG. 1 is a front perspective view of the bicycle taillight showing my new design;
FIG. 2 is a front view thereof;
FIG. 3 is a rear view thereof;
FIG. 4 is a right side view thereof;
FIG. 5 is a left side view thereof;
FIG. 6 is a top view thereof; and,
FIG. 7 is a bottom view thereof.

1 Claim, 7 Drawing Sheets



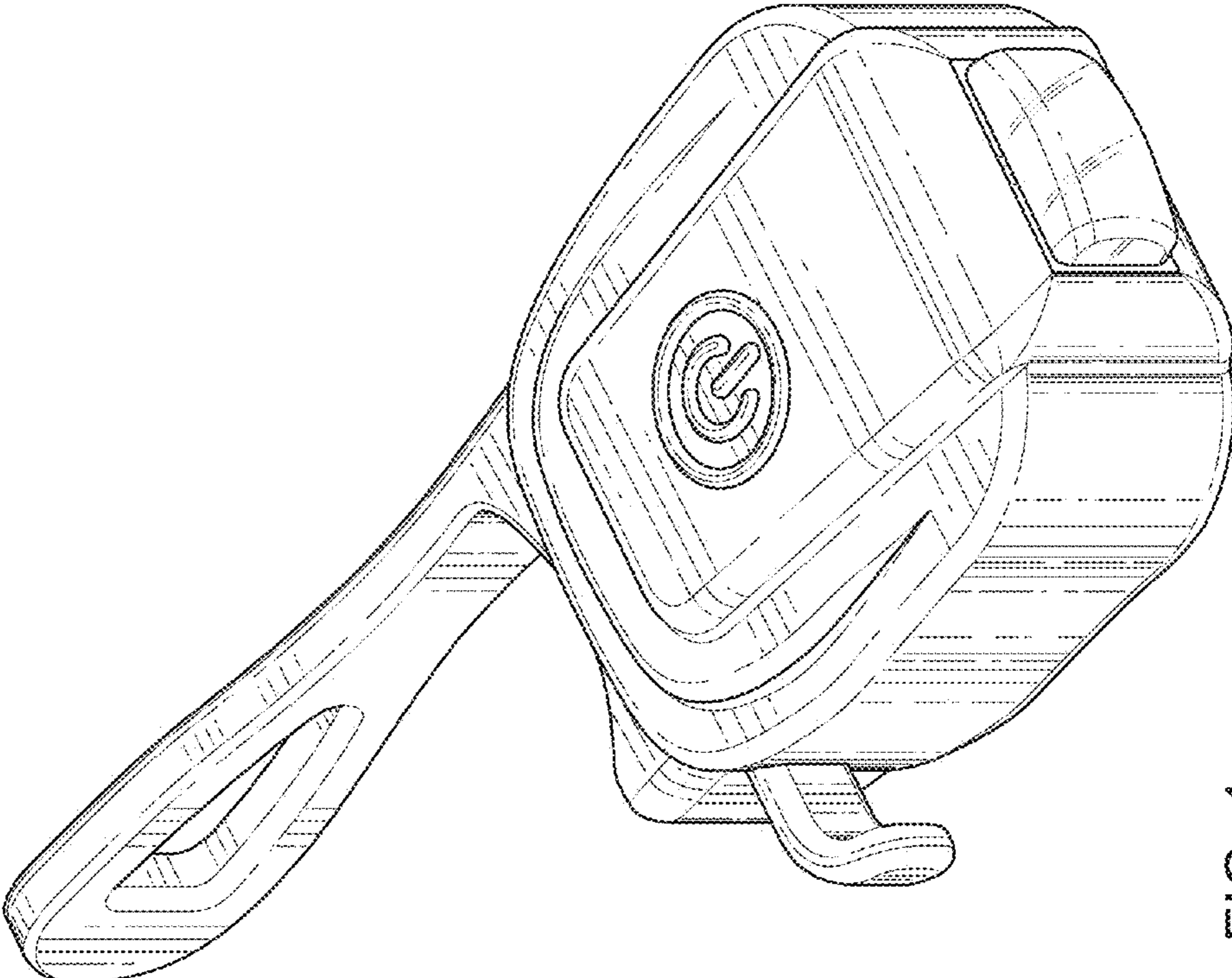


FIG. 1

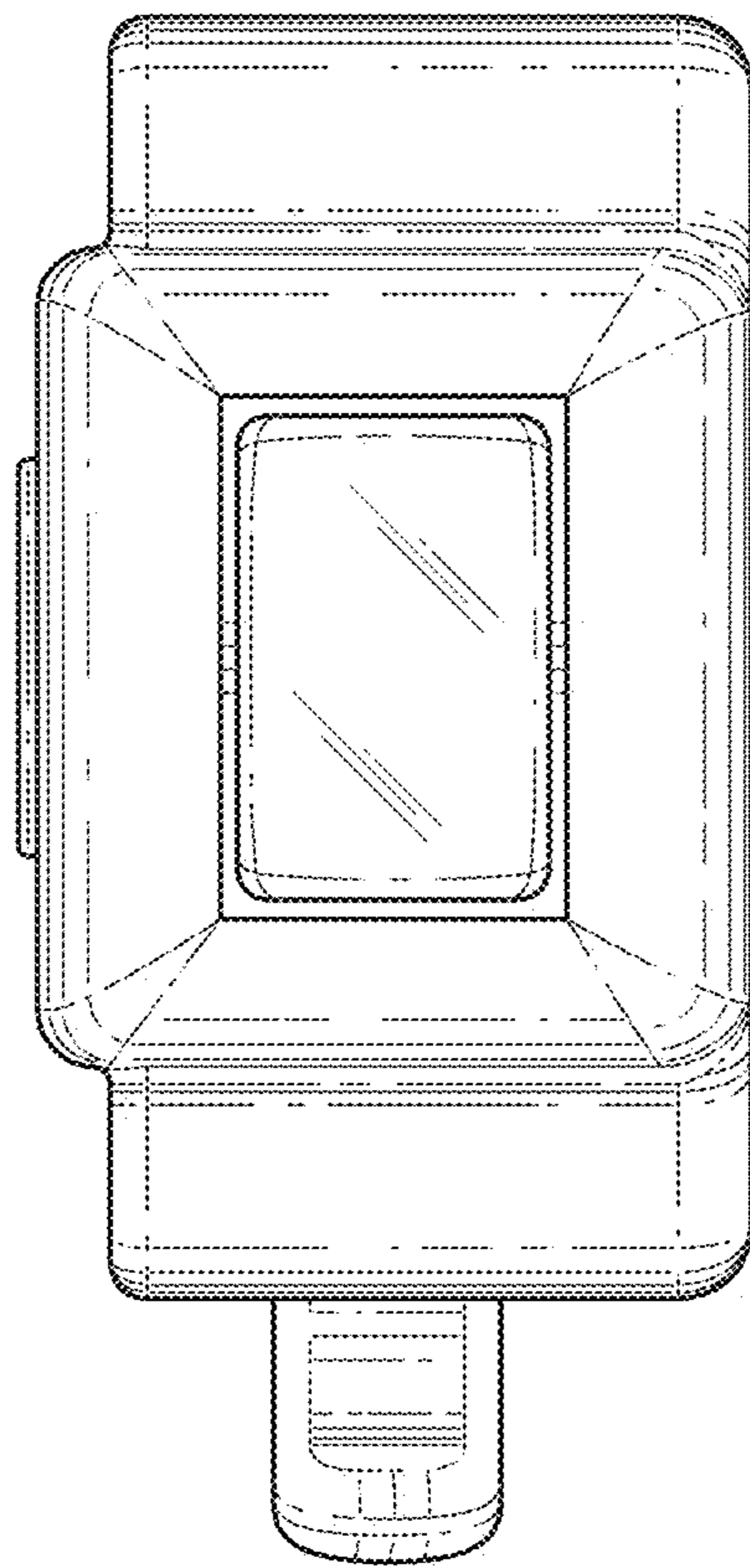


FIG. 2

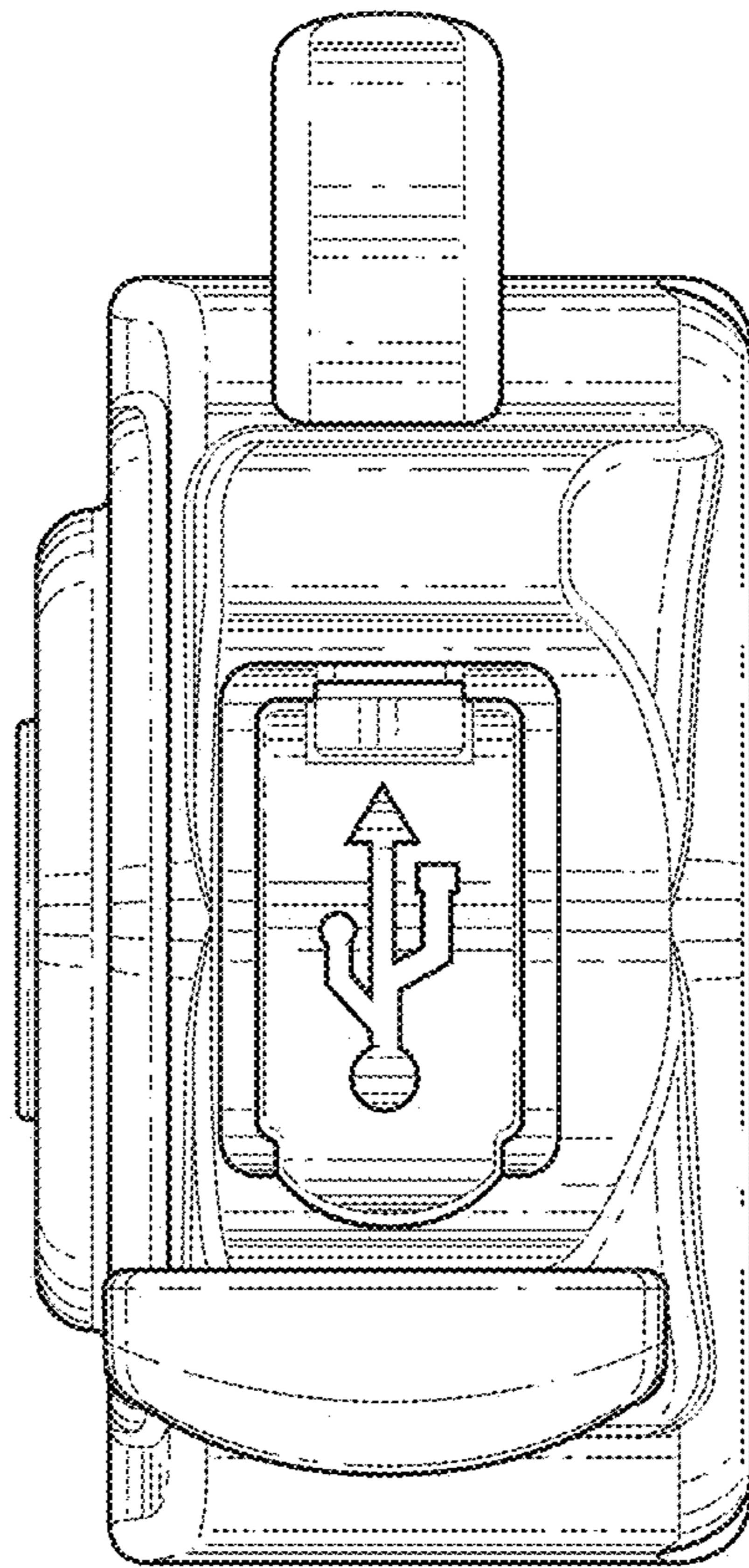


FIG. 3

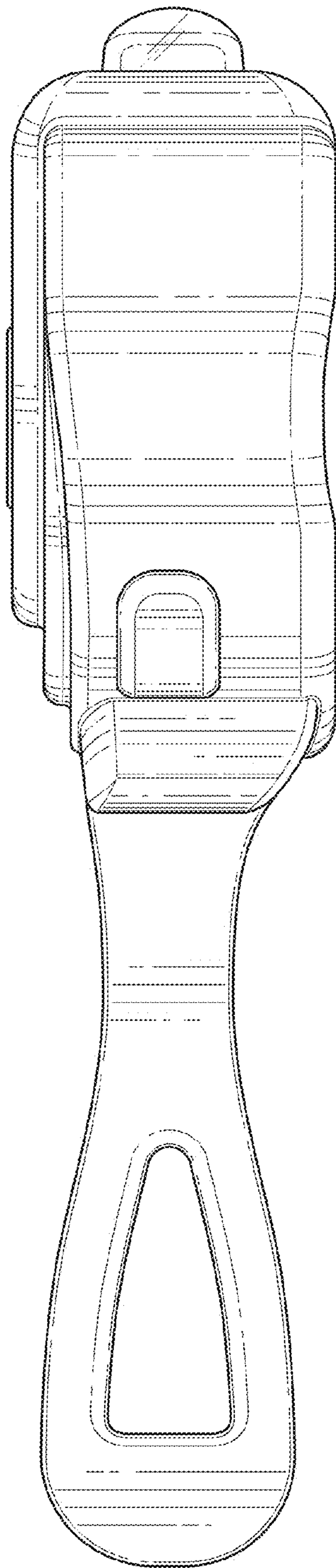


FIG. 4

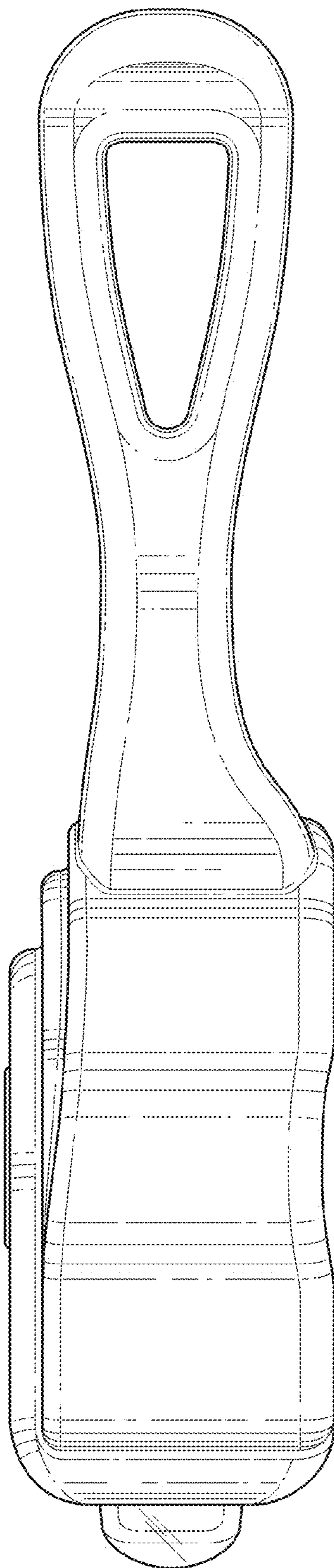


FIG. 5

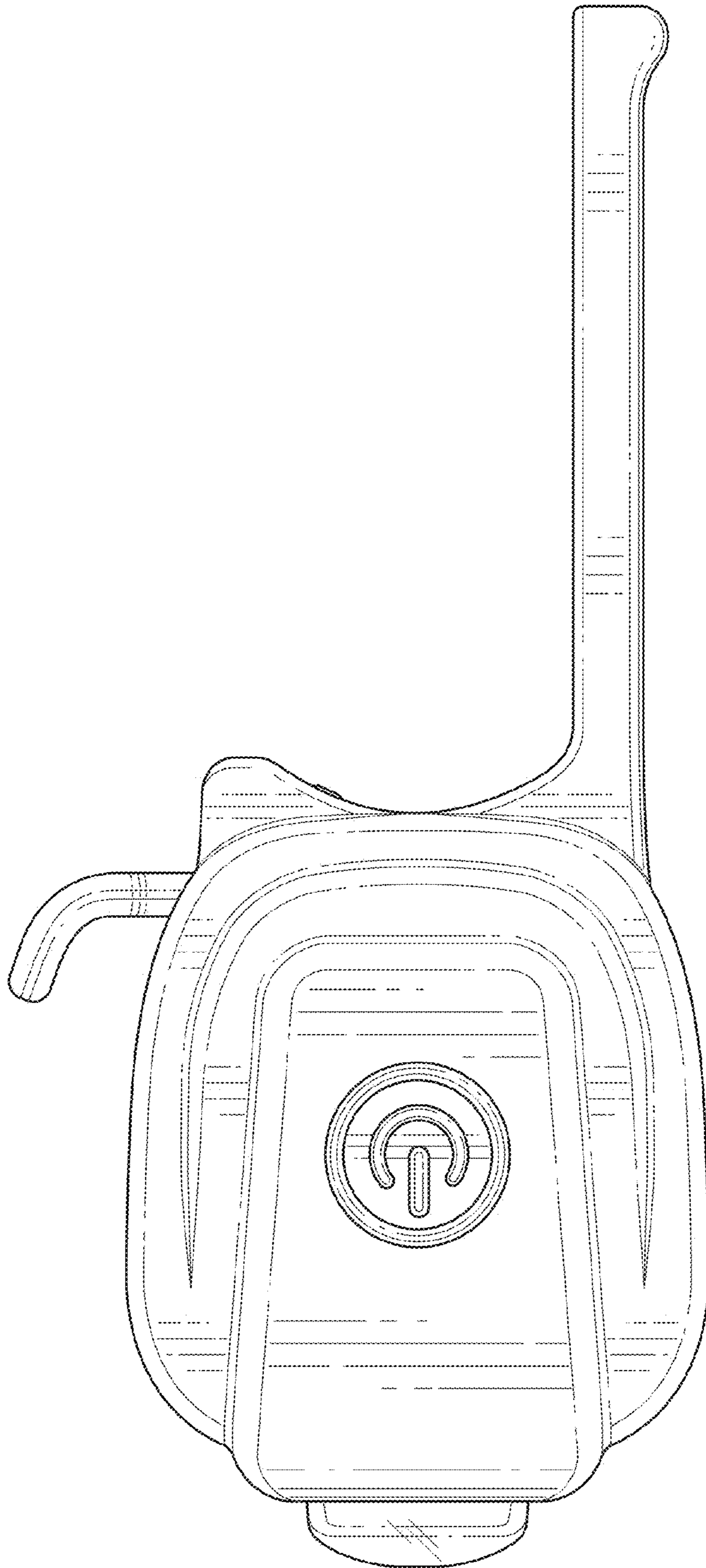


FIG. 6

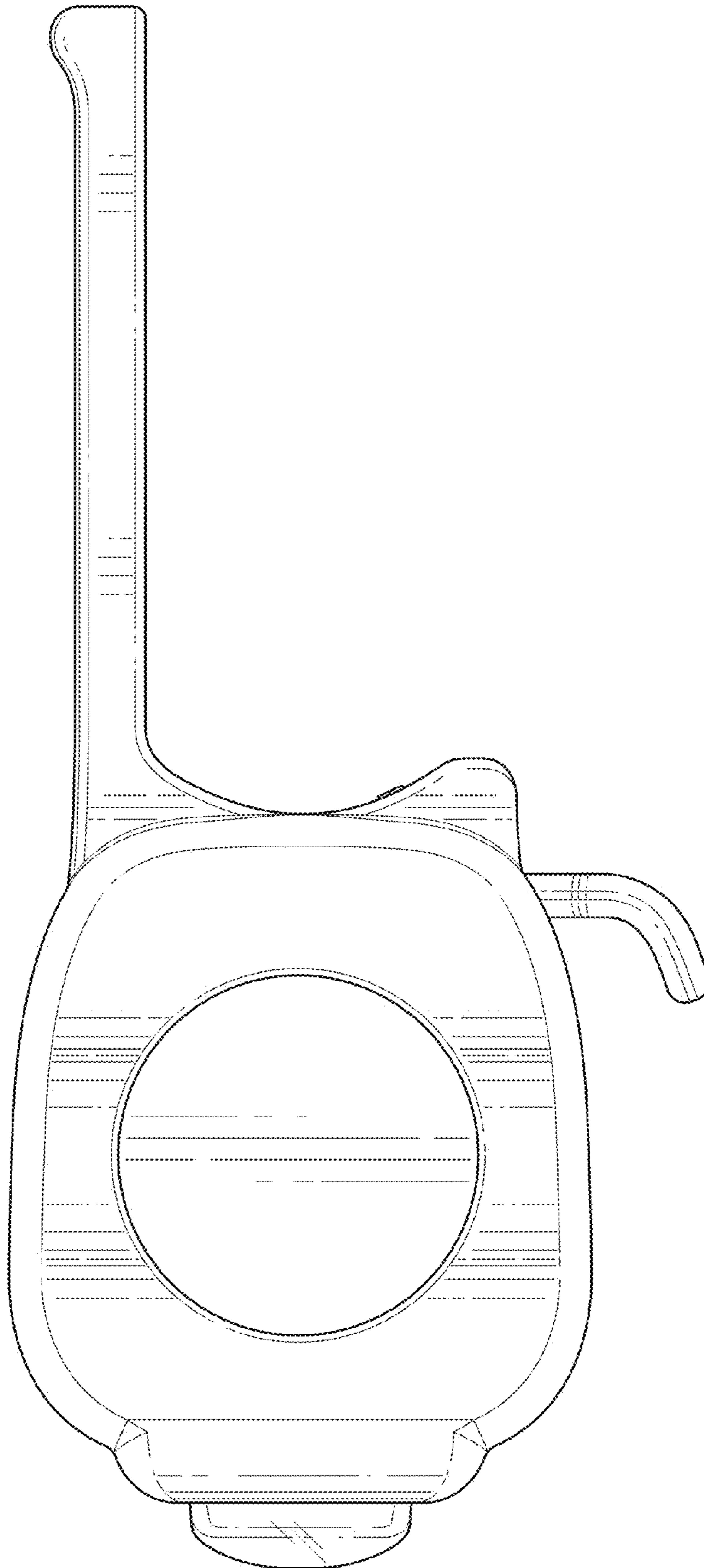


FIG. 7