



US00D745726S

(12) **United States Design Patent**
McMahan et al.

(10) **Patent No.:** **US D745,726 S**

(45) **Date of Patent:** **** Dec. 15, 2015**

(54) **VEHICLE FRONT HEADLAMP**

(71) Applicant: **GM Global Technology Operations LLC**, Detroit, MI (US)

(72) Inventors: **Robert B. McMahan**, Bloomfield Hills, MI (US); **Brendon C. Mackay**, Shelby Township, MI (US); **Tyler L. H. Moffett**, Detroit, MI (US)

(73) Assignee: **GM Global Technology Operations LLC**, Detroit, MI (US)

(**) Term: **14 Years**

(21) Appl. No.: **29/503,974**

(22) Filed: **Oct. 1, 2014**

(51) **LOC (10) Cl.** **26-06**

(52) **U.S. Cl.**
USPC **D26/28**

(58) **Field of Classification Search**
USPC D26/28-36; 362/459-468, 475-478, 362/485-487

CPC F21S 48/00; F21S 48/225; F21S 48/1233; F21S 48/1266; F21S 48/1388; F21S 48/2268; F21V 21/04

See application file for complete search history.

(56) **References Cited**

U.S. PATENT DOCUMENTS

D508,136 S * 8/2005 Pfeiffer D26/28
D518,581 S * 4/2006 Osawa D26/28
D528,231 S * 9/2006 Ikeda D26/28

D535,409 S * 1/2007 Yamaguchi D26/28
D544,614 S * 6/2007 Markefka D26/28
D635,694 S * 4/2011 Yang et al. D26/28
D683,057 S 5/2013 Aikawa et al.
D683,487 S 5/2013 Scheinhutte et al.
D683,488 S 5/2013 Scheinhutte et al.
D683,875 S 6/2013 Platto et al.

OTHER PUBLICATIONS

Design U.S. Appl. No. 29/457,759, filed Jun. 12, 2013, First Named Inventor: Niels Loeb; Title: Vehicle Headlight; 6 pages.
Design U.S. Appl. No. 29/457,686, filed Jun. 12, 2013, First Named Inventor: Niels Loeb; Title: Vehicle Headlight; 5 pages.
Design U.S. Appl. No. 29/473,113, filed Nov. 19, 2013; First Named Inventor: Louis D. Thole; Title: Vehicle Front Headlamp; 3 pages.
Design U.S. Appl. No. 29/491,286, filed May 20, 2014; First Named Inventor: Robert B. McMahan; Title: Vehicle Body Exterior; 7 pages.

* cited by examiner

Primary Examiner — Marcus Jackson

(74) *Attorney, Agent, or Firm* — Lionel D. Anderson; Reising Ethington P.C.

(57) **CLAIM**

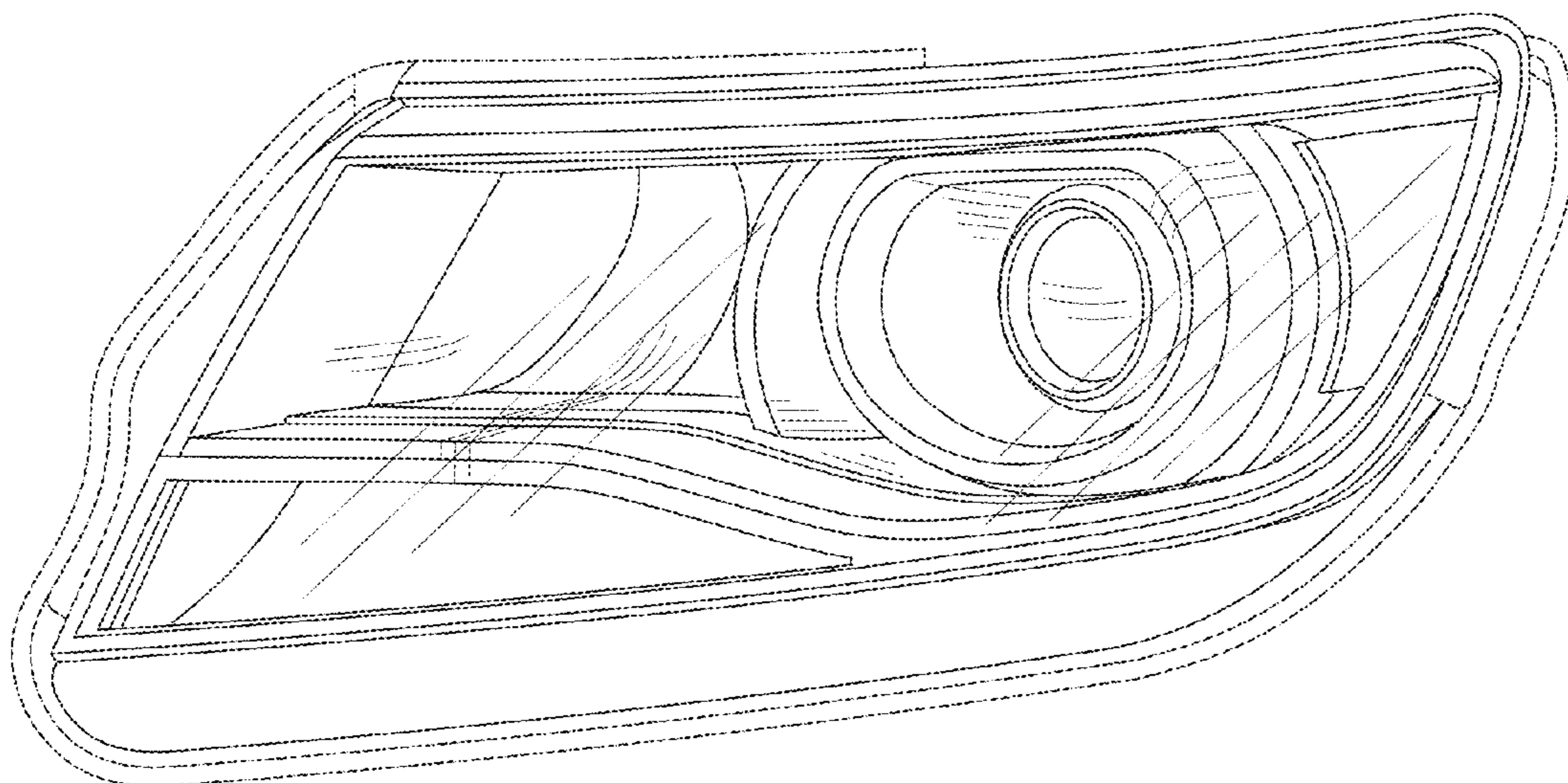
The ornamental design for a vehicle front headlamp, as shown and described.

DESCRIPTION

FIG. 1 is a perspective view of the vehicle front headlamp; FIG. 2 is a front view thereof; FIG. 3 is a side elevation view thereof; and, FIG. 4 is a top plan view thereof.

In the drawings, the portions shown by broken lines form no part of the claimed design.

1 Claim, 2 Drawing Sheets



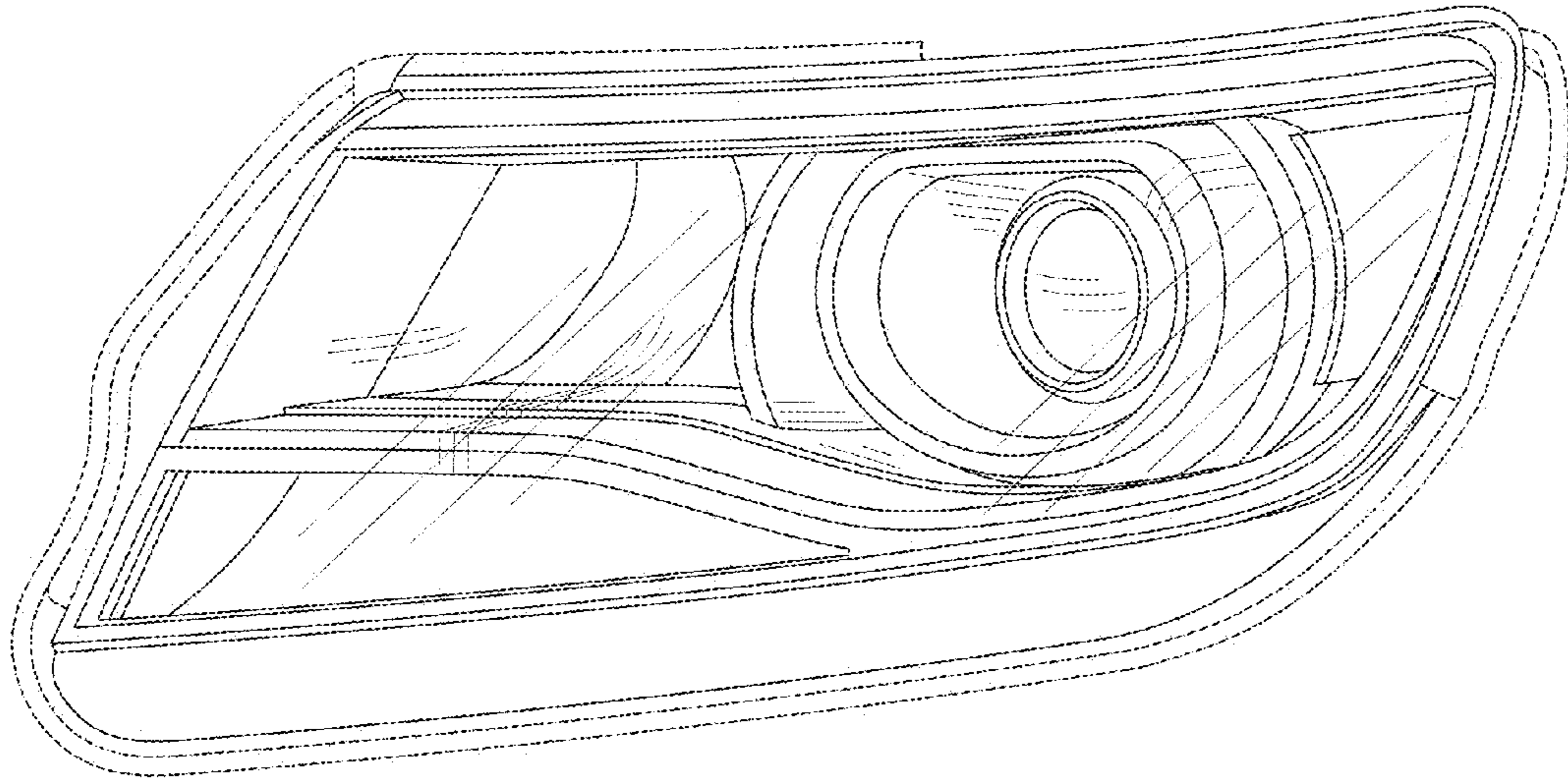


Fig-1

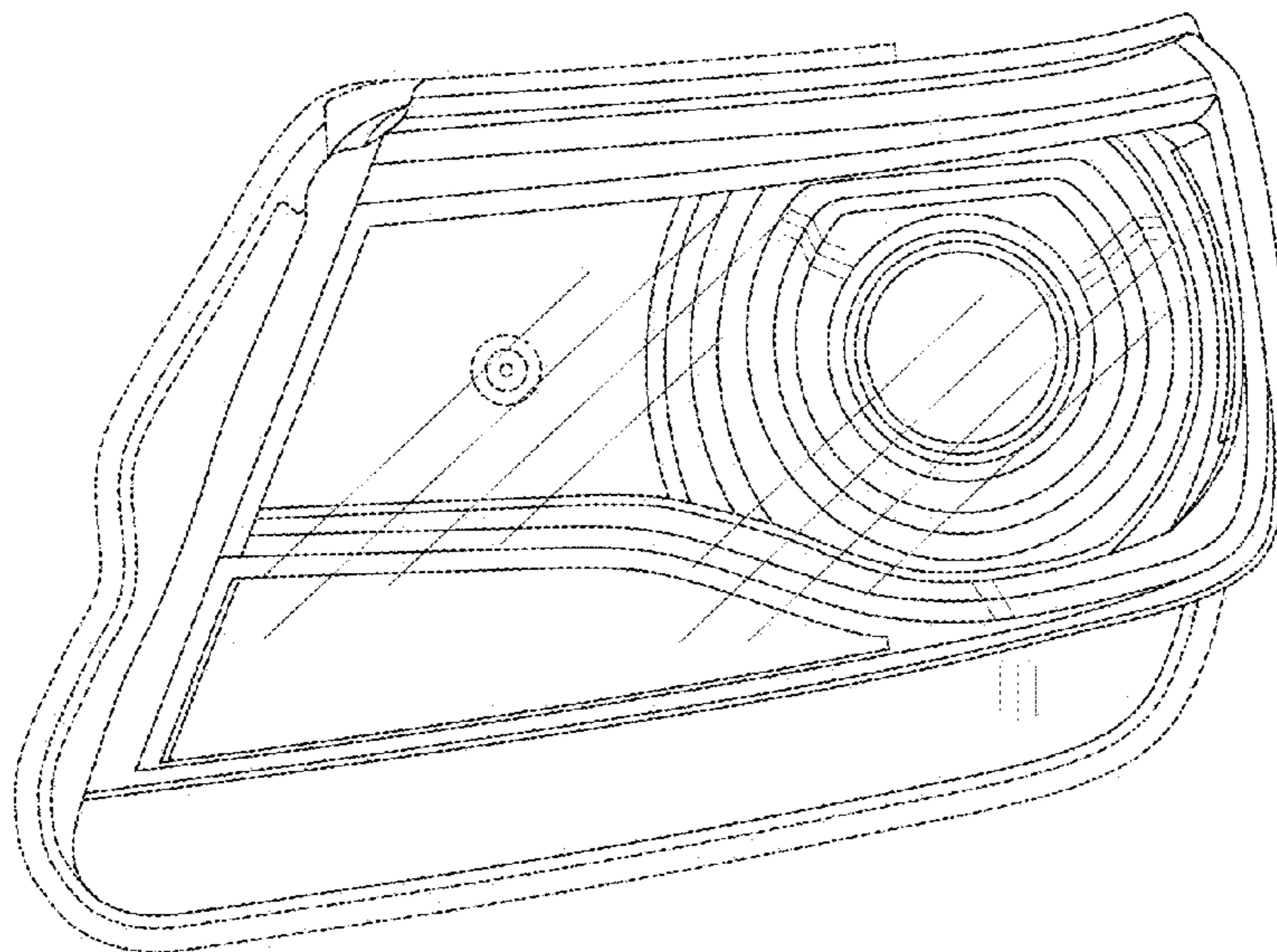


Fig-2

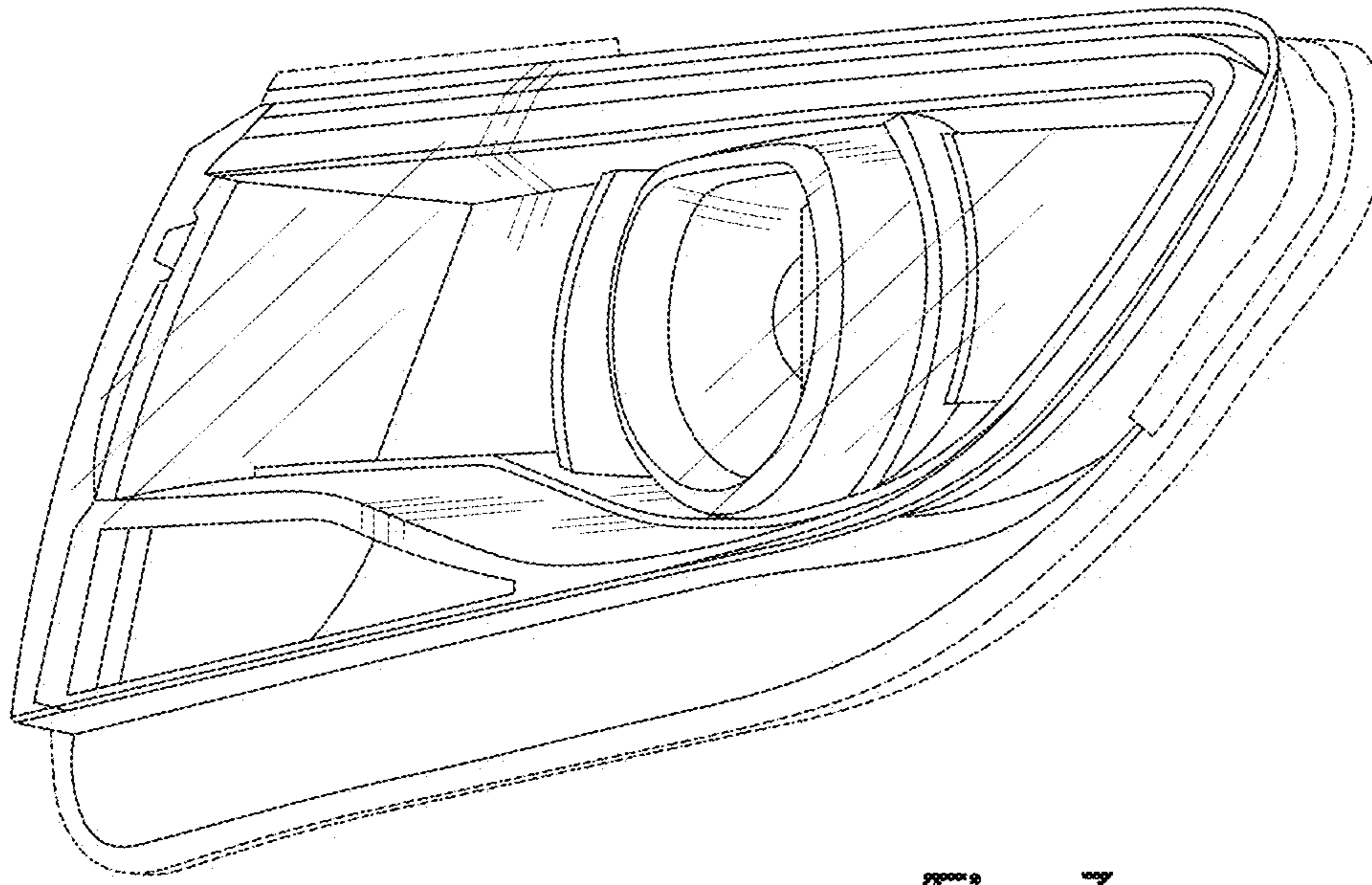


Fig-3

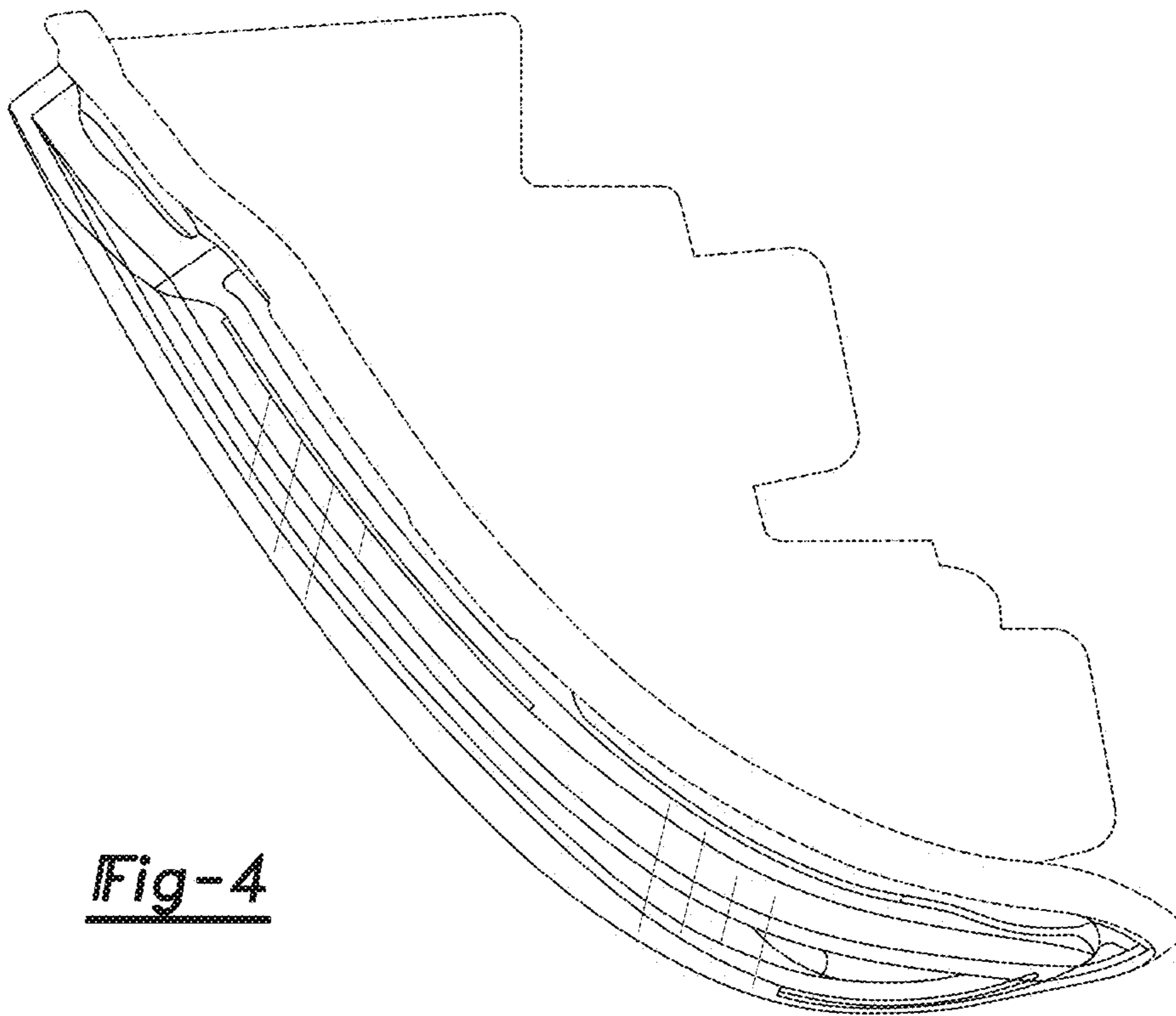


Fig-4