



US00D745724S

(12) **United States Design Patent**  
**Yoshida et al.**

(10) **Patent No.:** **US D745,724 S**  
(45) **Date of Patent:** **\*\* Dec. 15, 2015**

- (54) **REAR LIGHT FOR A MOTOR VEHICLE**
- (71) Applicant: **MAZDA MOTOR CORPORATION**,  
Hiroshima (JP)
- (72) Inventors: **Atsushi Yoshida**, Hiroshima (JP);  
**Tamami Sato**, Hiroshima (JP); **Kota Akagawa**,  
Hiroshima (JP); **Kazuhiro Ito**, Hiroshima (JP)
- (73) Assignee: **Mazda Motor Corporation**, Hiroshima  
(JP)
- (\*\*) Term: **14 Years**
- (21) Appl. No.: **29/503,283**
- (22) Filed: **Sep. 24, 2014**
- (51) **LOC (10) Cl.** ..... **26-06**
- (52) **U.S. Cl.**  
USPC ..... **D26/28**
- (58) **Field of Classification Search**  
USPC ..... D26/28-36; 362/459-468, 475-478,  
362/485-487  
CPC ..... F21S 48/00; F21S 48/10; F21S 48/115;  
F21S 48/225; F21S 48/1233; F21S 48/1266;  
F21S 48/1388; F21S 48/2268; F21V 21/04  
See application file for complete search history.

- D523,976 S \* 6/2006 Pfeiffer et al. .... D26/28
- D538,452 S \* 3/2007 Pfeiffer ..... D26/28
- D539,450 S \* 3/2007 Pfeiffer ..... D26/28
- D549,363 S \* 8/2007 Pfeiffer ..... D26/28

\* cited by examiner

*Primary Examiner* — Marcus Jackson

(74) *Attorney, Agent, or Firm* — Studebaker & Brackett PC

(57) **CLAIM**

The ornamental design for a rear light for a motor vehicle, as shown and described.

**DESCRIPTION**

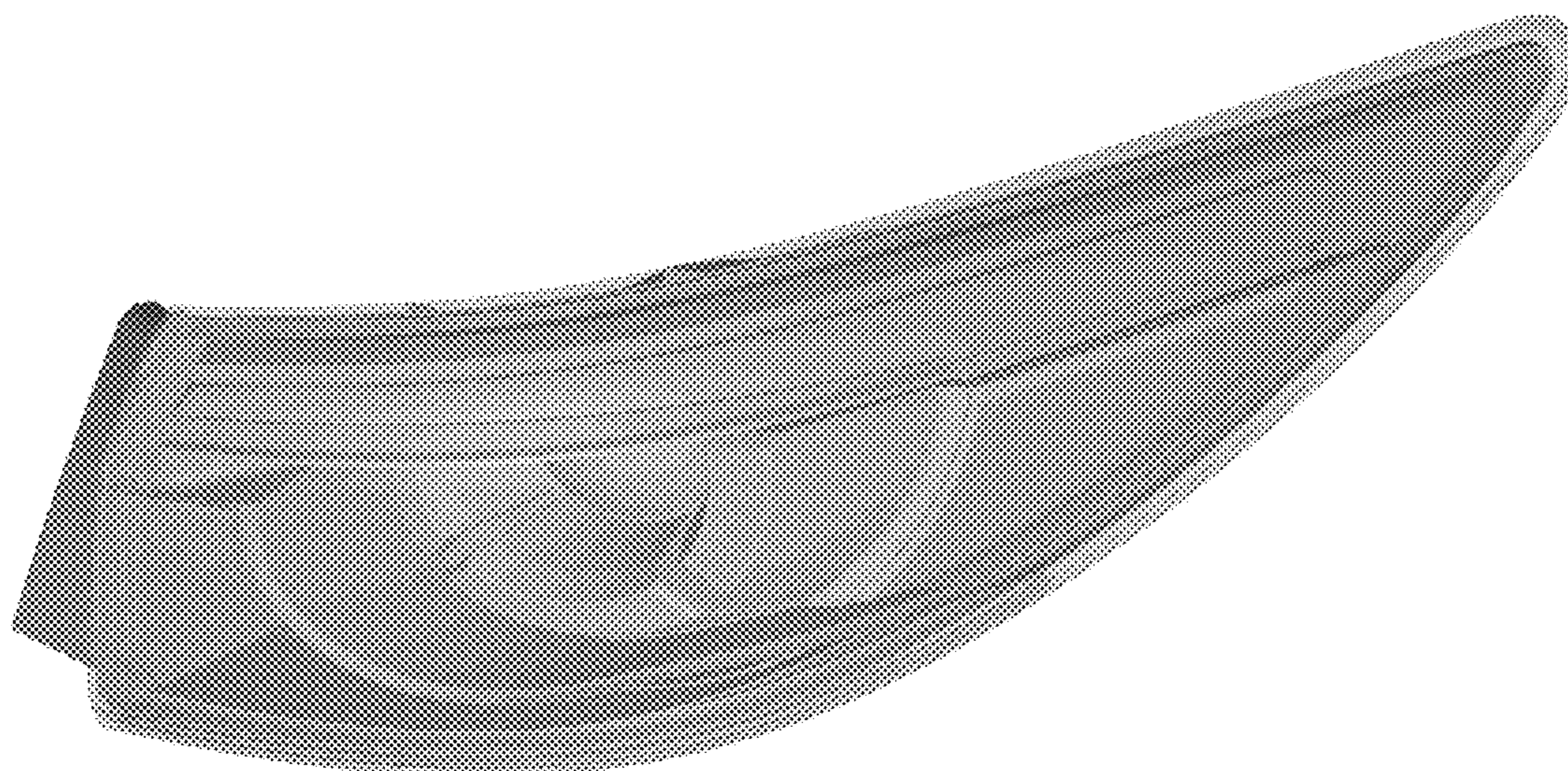
FIG. 1 is a first perspective view of a rear light for a motor vehicle;  
 FIG. 2 is a second perspective view thereof;  
 FIG. 3 is a front view thereof;  
 FIG. 4 is a rear view thereof;  
 FIG. 5 is a left side view thereof;  
 FIG. 6 is a right side view thereof;  
 FIG. 7 is a top view thereof; and,  
 FIG. 8 is a bottom view thereof.

(56) **References Cited**

**U.S. PATENT DOCUMENTS**

- D498,013 S \* 11/2004 Pfeiffer ..... D26/28

**1 Claim, 4 Drawing Sheets**



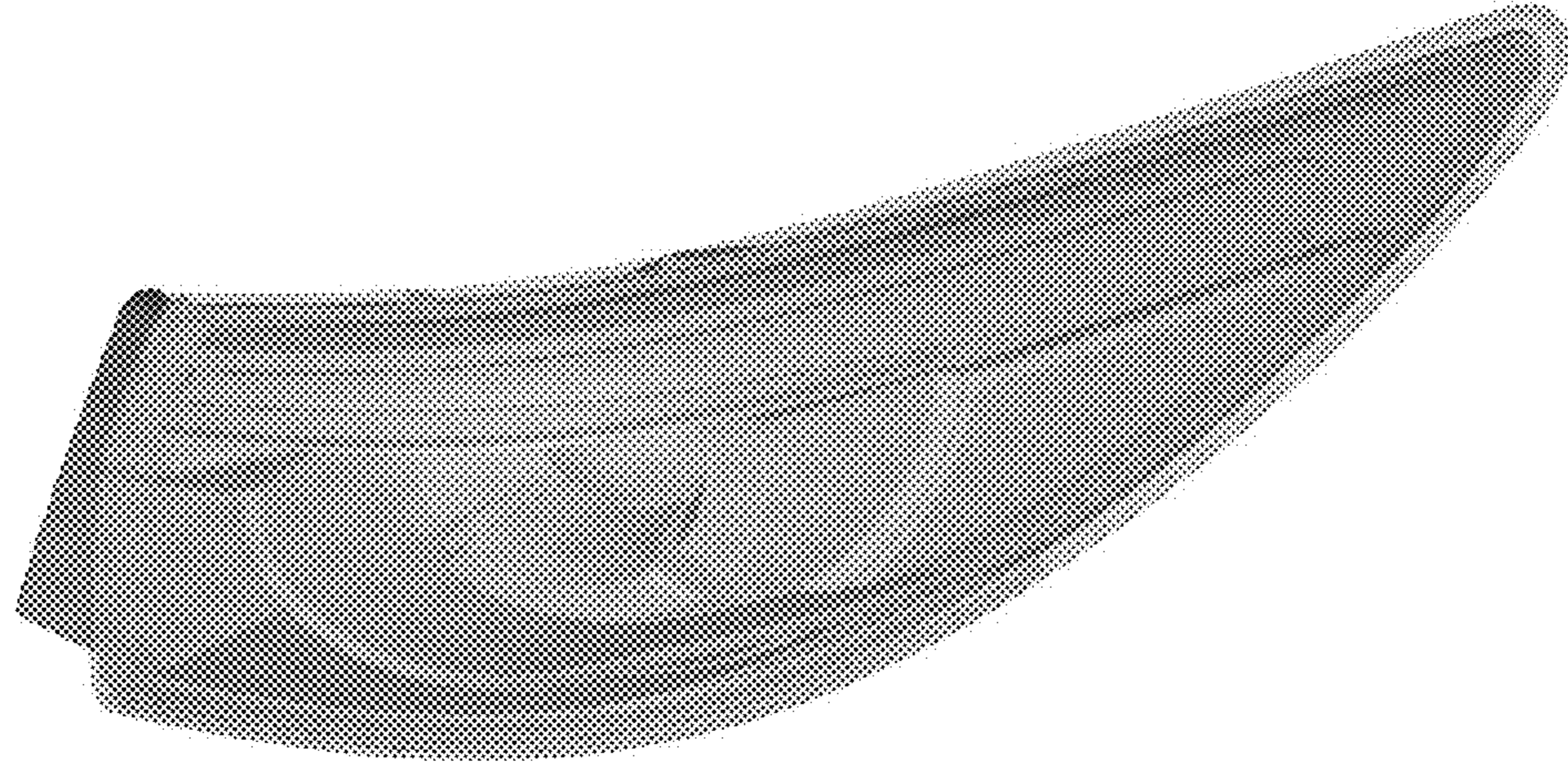


FIG. 1

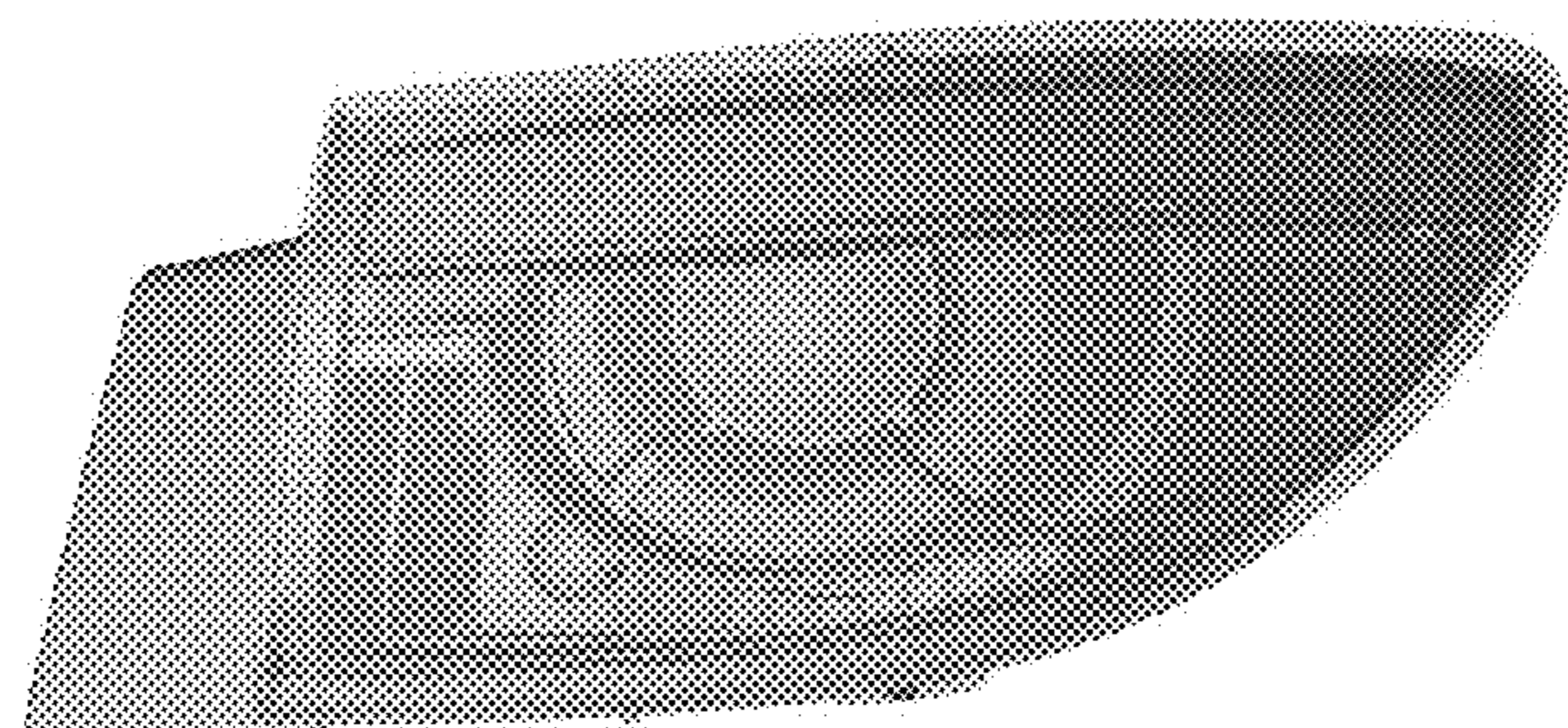


FIG. 2



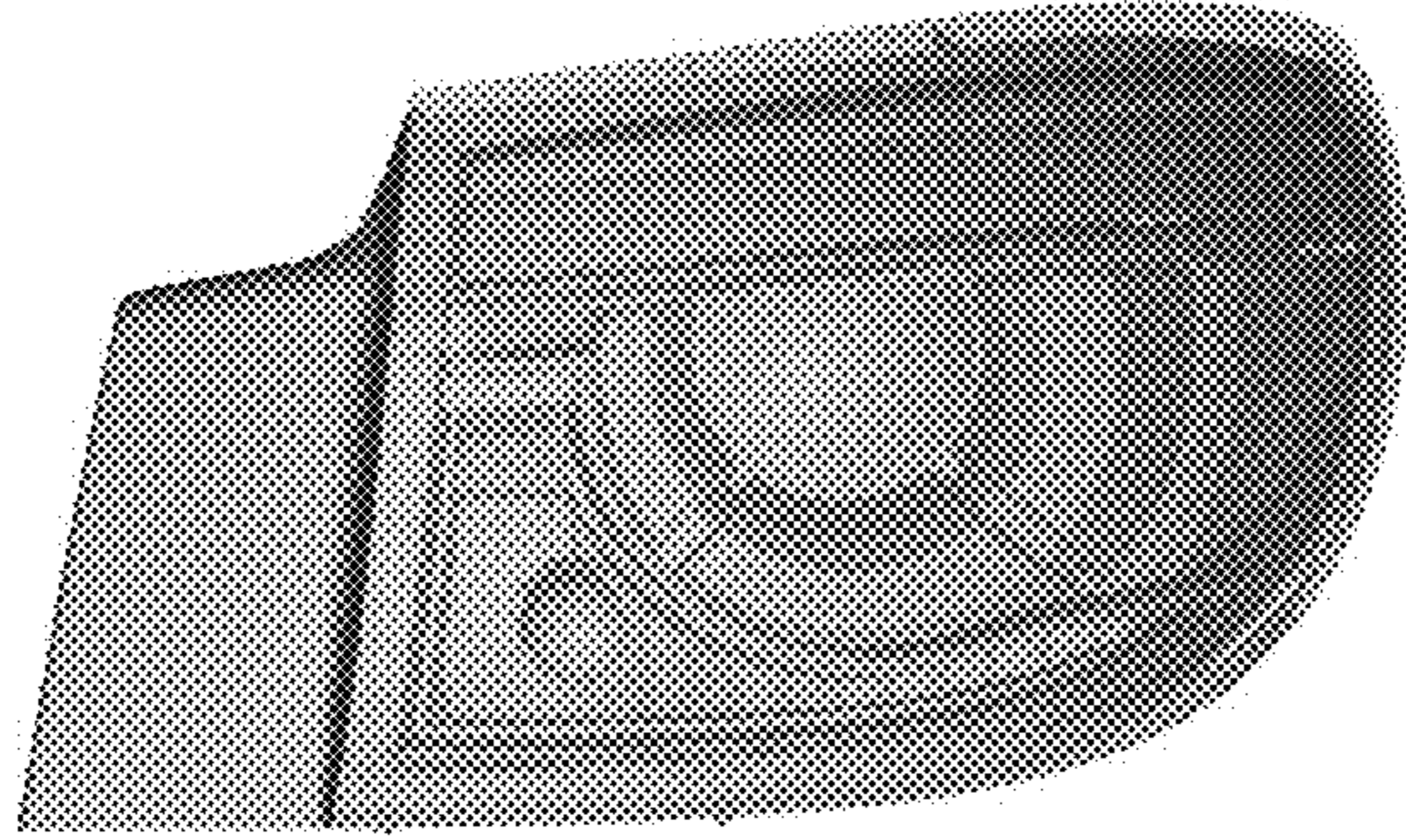


FIG.3

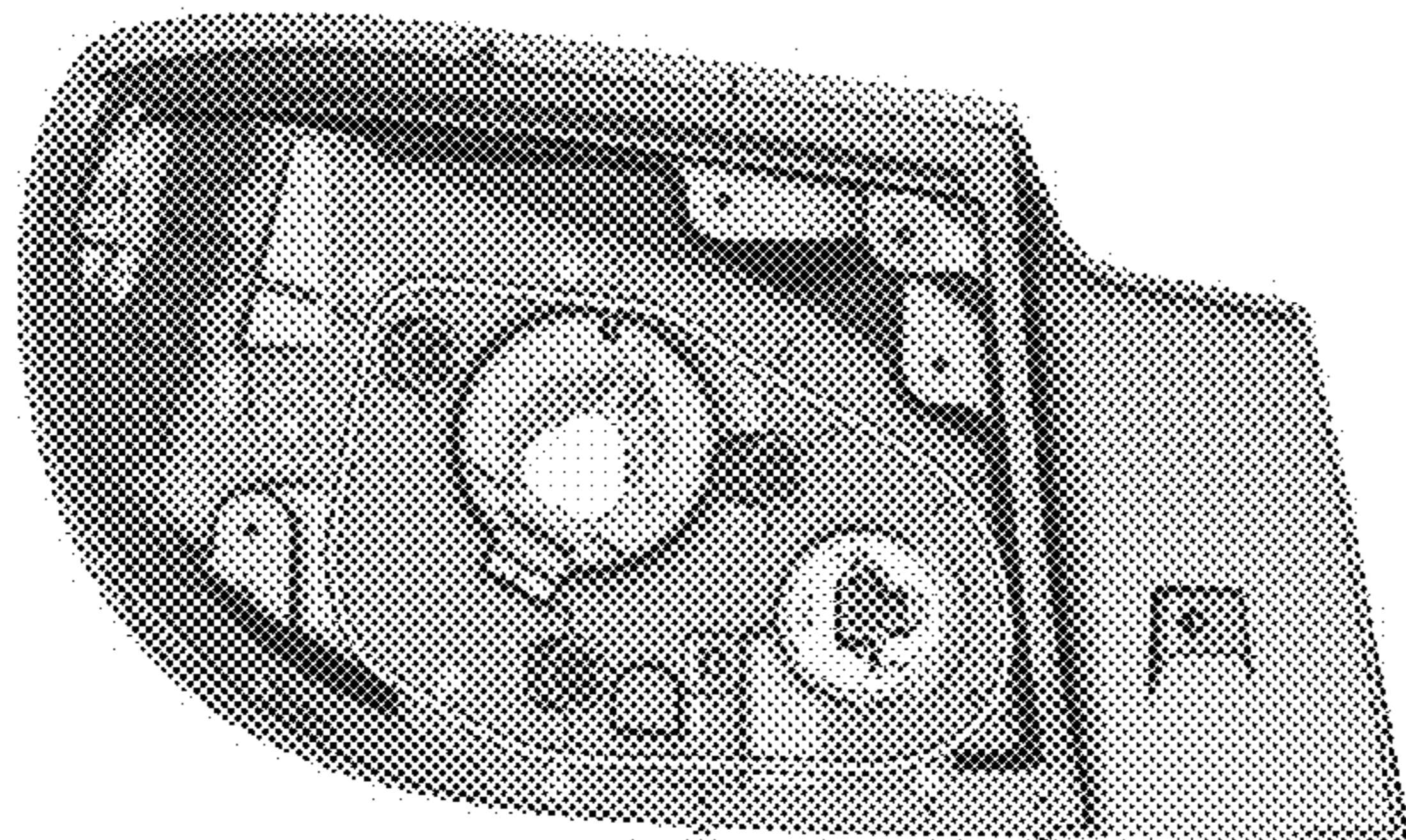


FIG.4

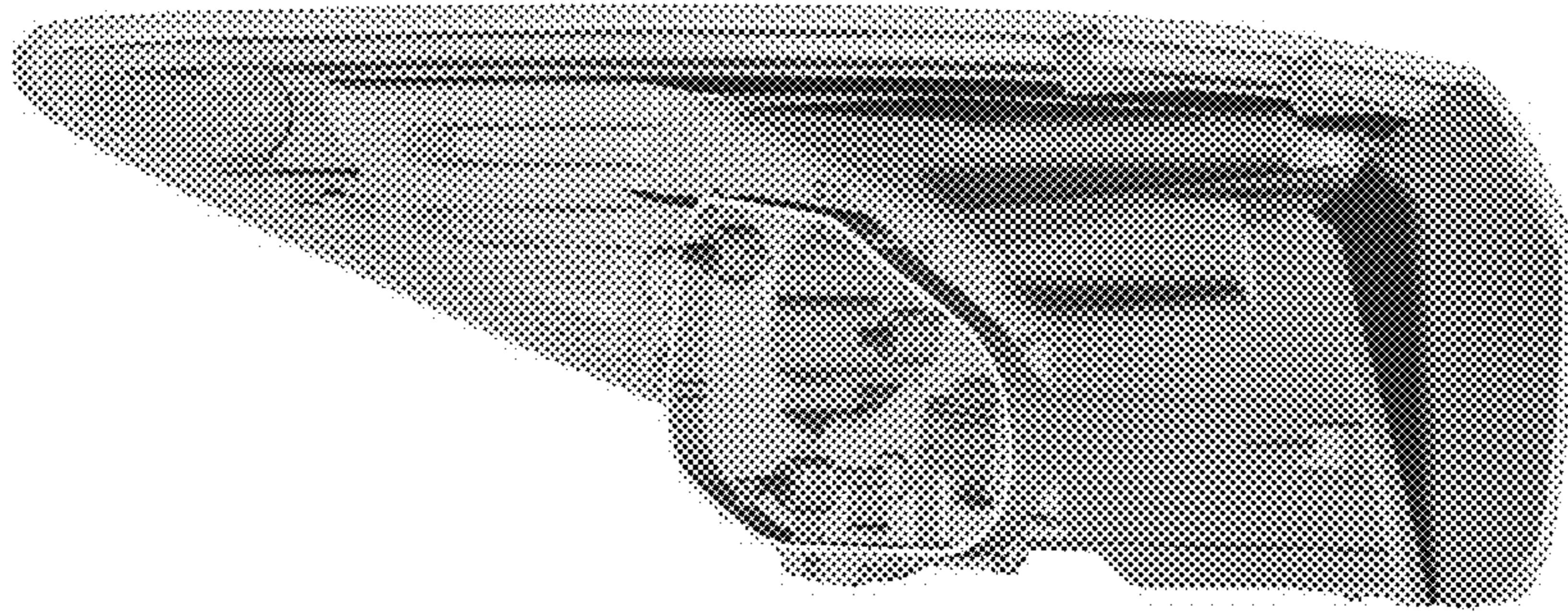


FIG. 5

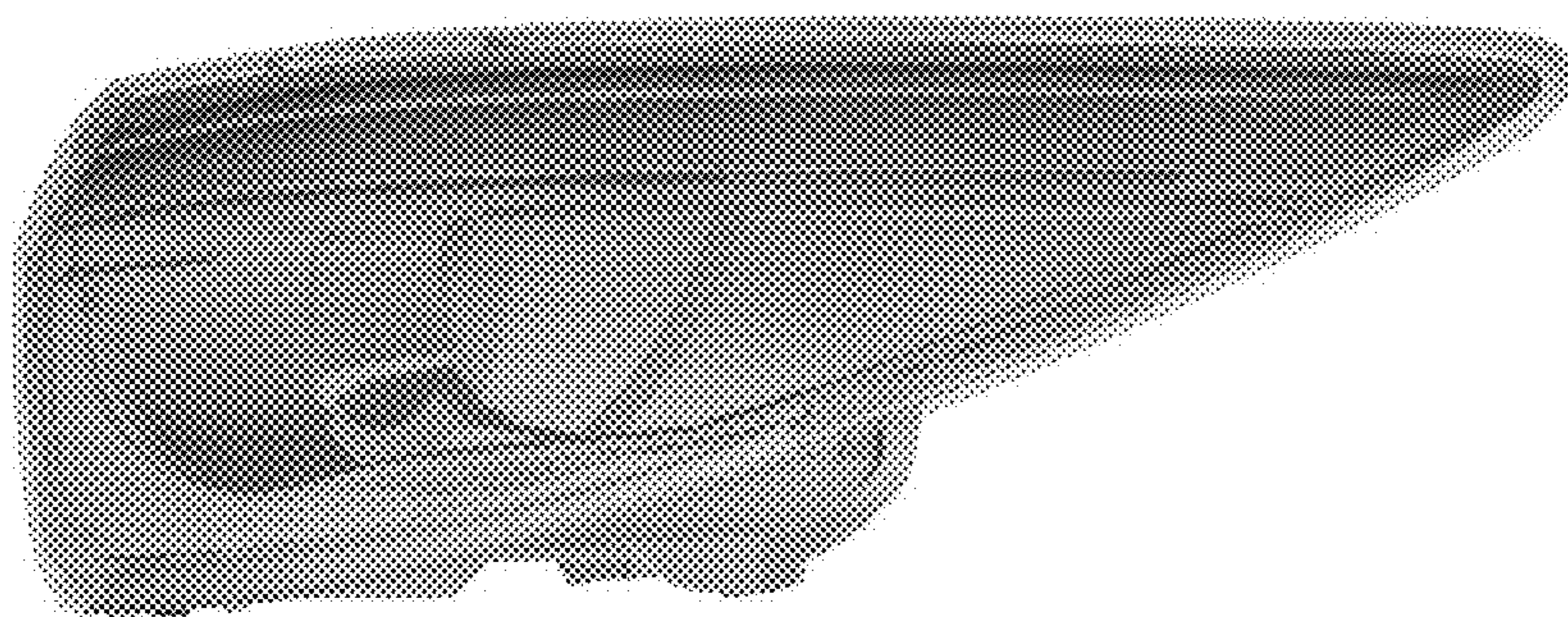


FIG. 6



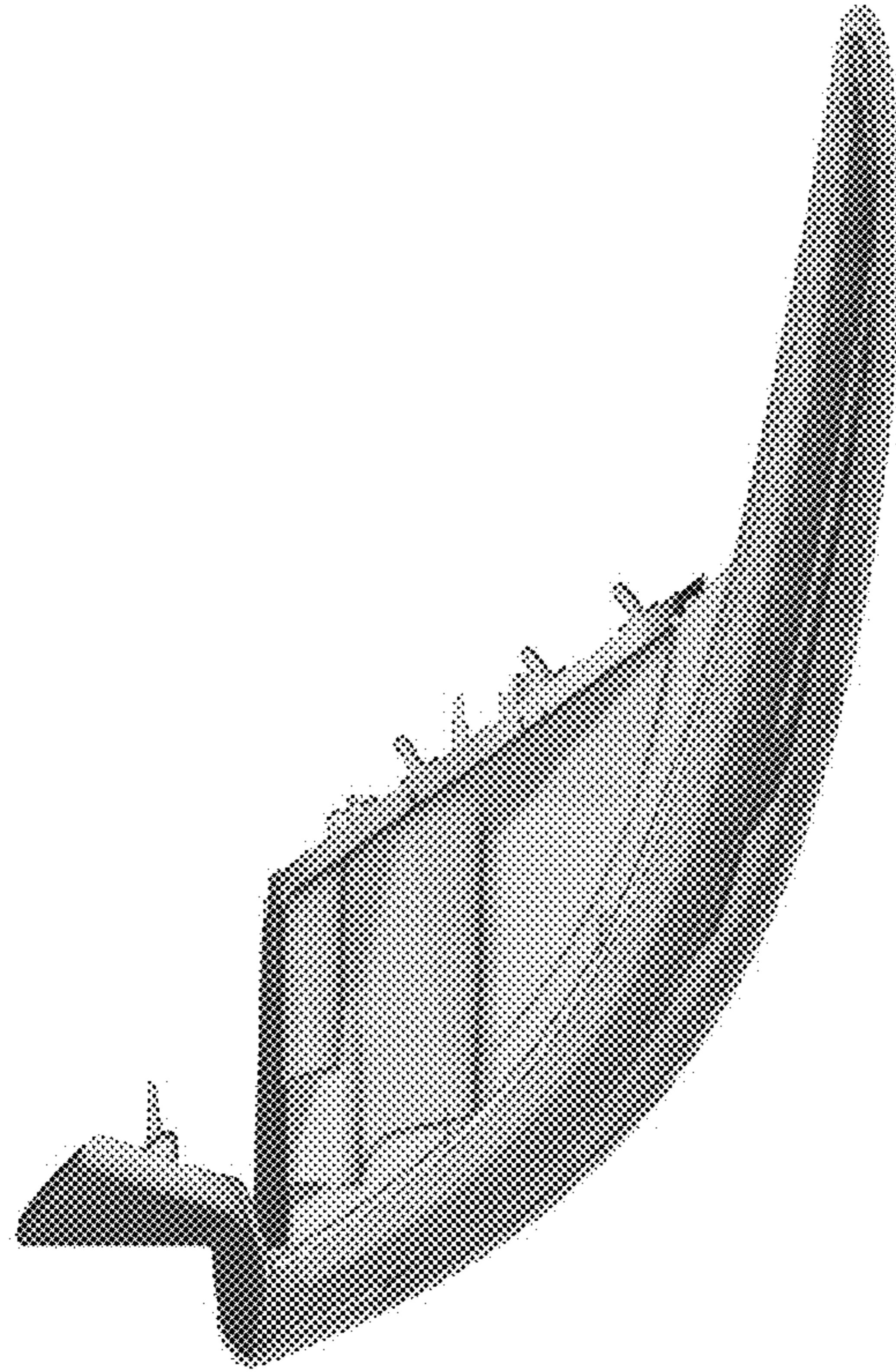


FIG. 7

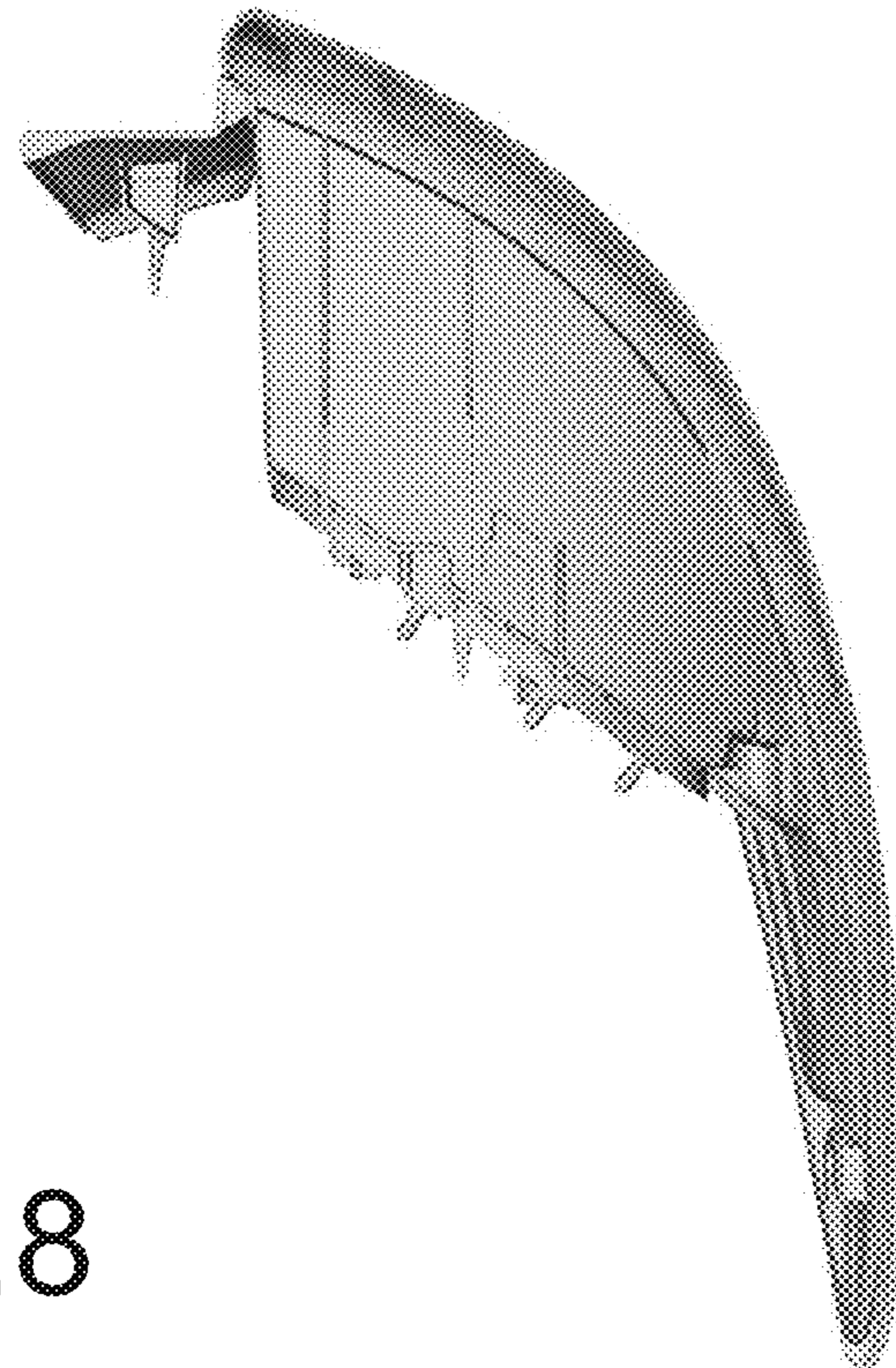


FIG. 8