



US00D745723S

(12) **United States Design Patent**
Yoshida et al.

(10) **Patent No.:** **US D745,723 S**
(45) **Date of Patent:** **** Dec. 15, 2015**

(54) **HEADLIGHT FOR A MOTOR VEHICLE**

(71) Applicant: **MAZDA MOTOR CORPORATION**,
Hiroshima (JP)

(72) Inventors: **Atsushi Yoshida**, Hiroshima (JP);
Tamami Sato, Hiroshima (JP); **Kota**
Akagawa, Hiroshima (JP); **Keisuke**
Nakai, Hiroshima (JP)

(73) Assignee: **Mazda Motor Corporation**, Hiroshima
(JP)

(**) Term: **14 Years**

(21) Appl. No.: **29/503,279**

(22) Filed: **Sep. 24, 2014**

(51) **LOC (10) Cl.** **26-06**

(52) **U.S. Cl.**
USPC **D26/28**

(58) **Field of Classification Search**
USPC D26/28-36; 362/459-468, 475-478,
362/485-487
CPC F21S 48/00; F21S 48/10; F21S 48/115;
F21S 48/1233; F21S 48/1266; F21S 48/1388;
F21S 48/2268; F21V 21/04
See application file for complete search history.

(56) **References Cited**

U.S. PATENT DOCUMENTS

D550,383	S	*	9/2007	Asai	D26/28
D556,349	S	*	11/2007	Golden et al.	D26/28
D560,291	S	*	1/2008	Koyama	D26/28
D561,358	S	*	2/2008	Tachibana	D26/28
D635,694	S	*	4/2011	Yang et al.	D26/28

* cited by examiner

Primary Examiner — Marcus Jackson

(74) *Attorney, Agent, or Firm* — Studebaker & Brackett PC

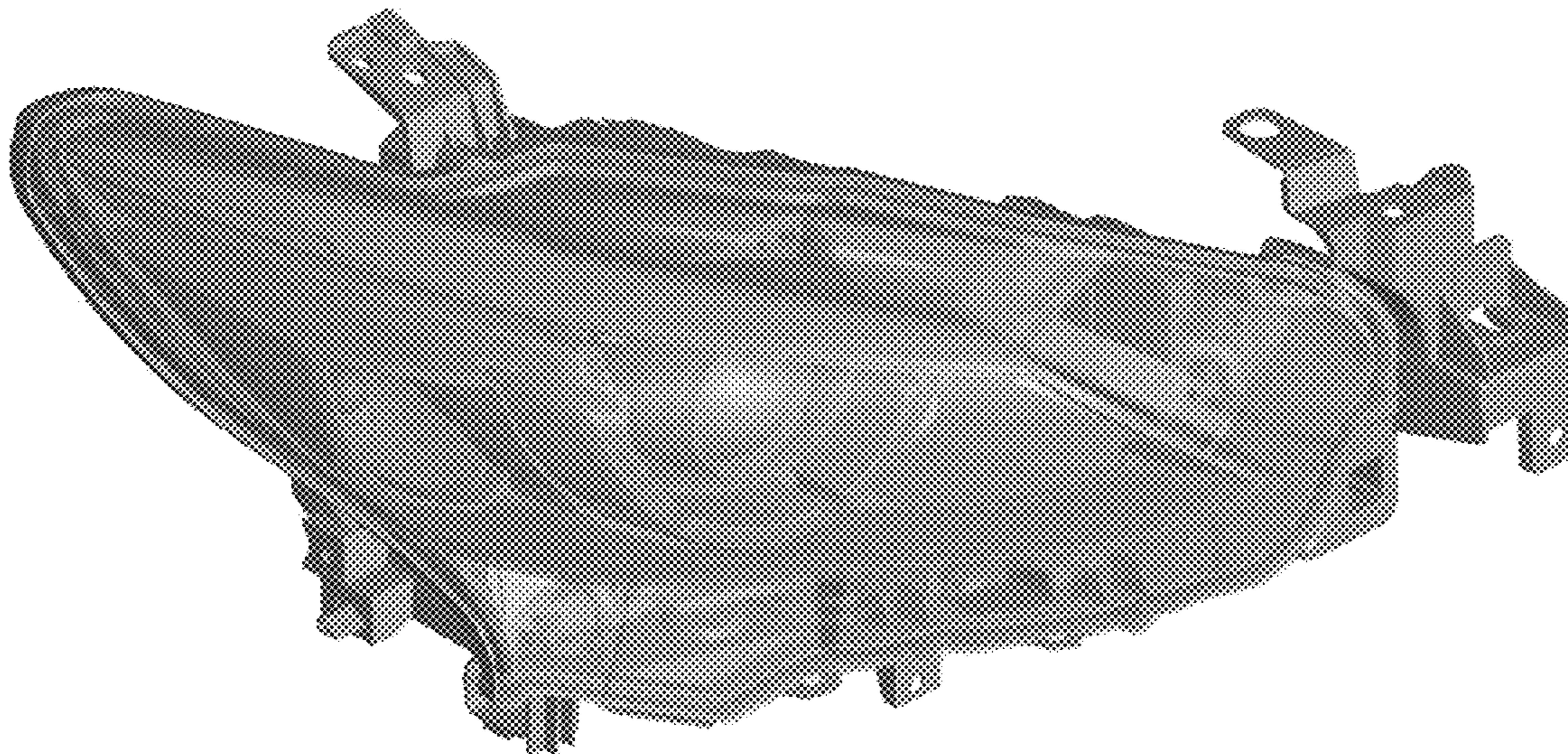
(57) **CLAIM**

The ornamental design for a headlight for a motor vehicle, as shown and described.

DESCRIPTION

FIG. 1 is a first perspective view of a headlight for a motor vehicle;
FIG. 2 is a second perspective view thereof;
FIG. 3 is a front view thereof;
FIG. 4 is a rear view thereof;
FIG. 5 is a left side view thereof;
FIG. 6 is a right side view thereof;
FIG. 7 is a top view thereof; and,
FIG. 8 is a bottom view thereof.

1 Claim, 4 Drawing Sheets



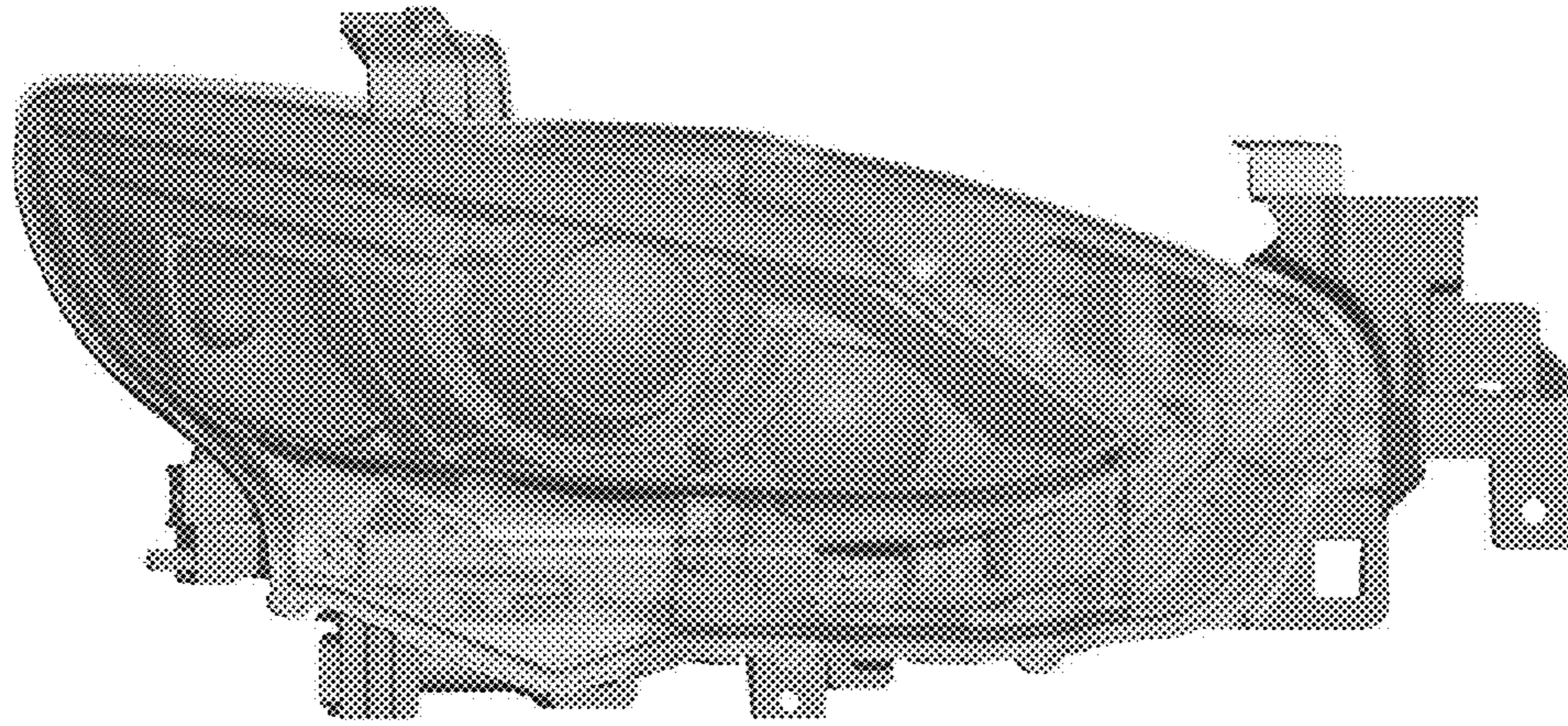


FIG. 1

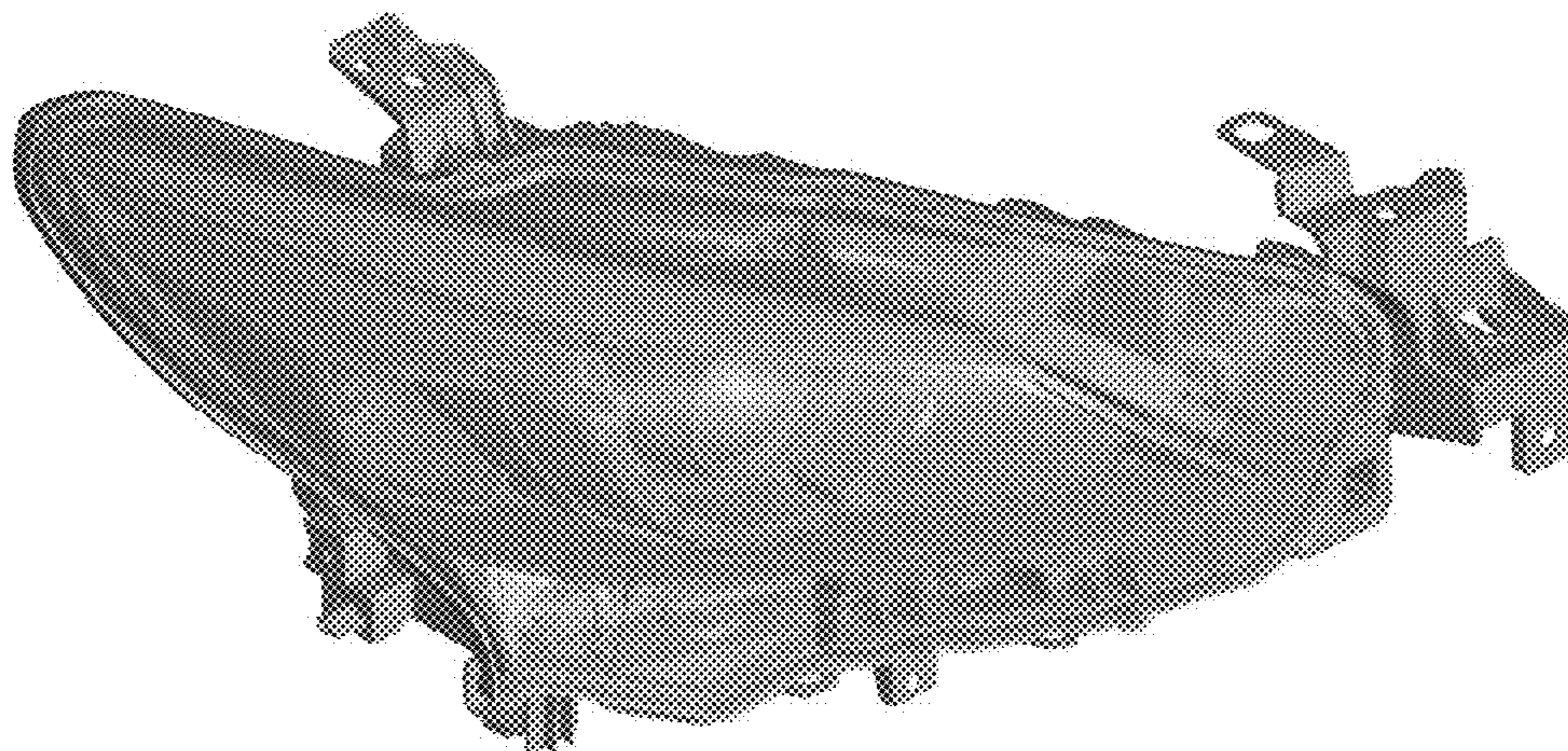


FIG. 2

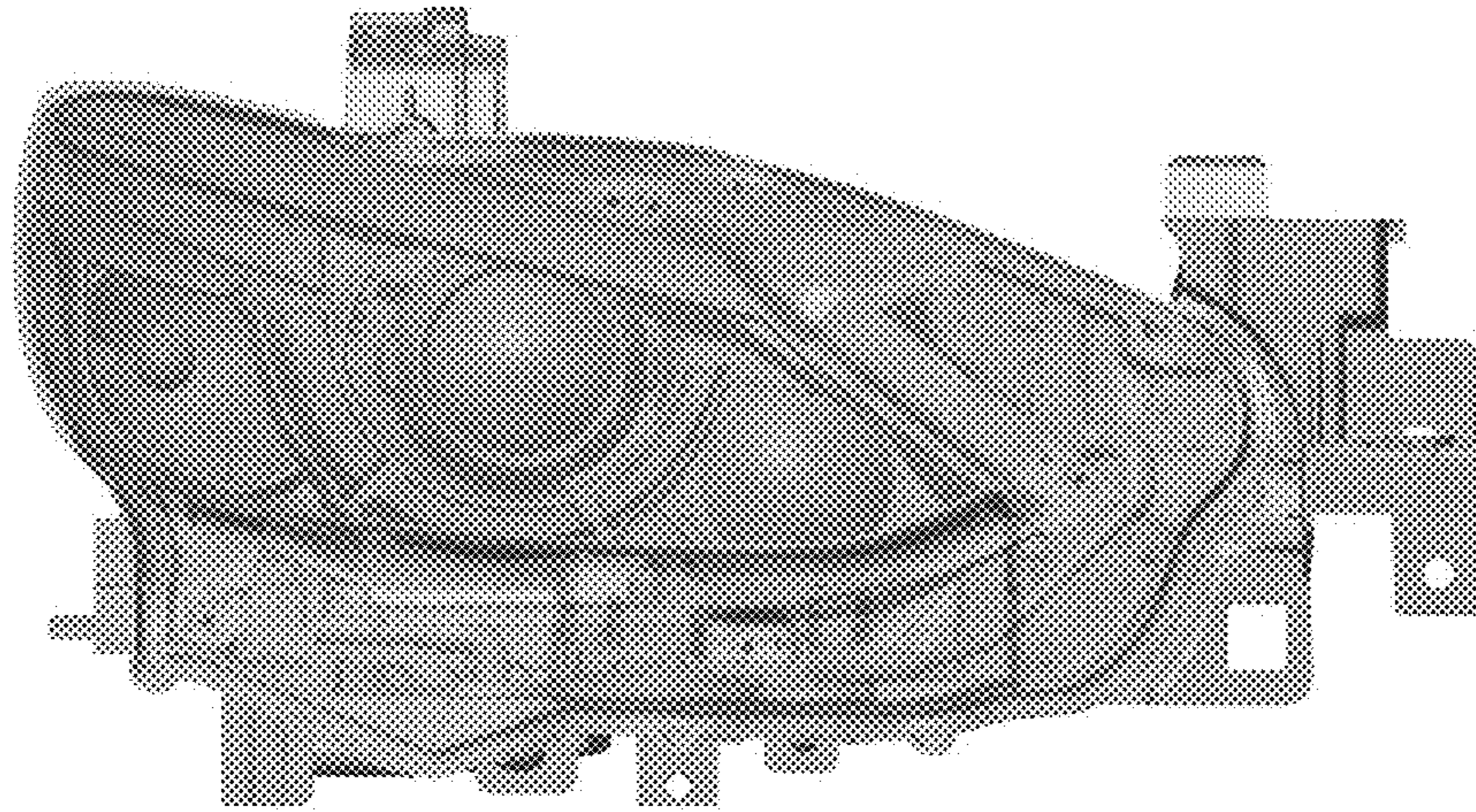


FIG.3

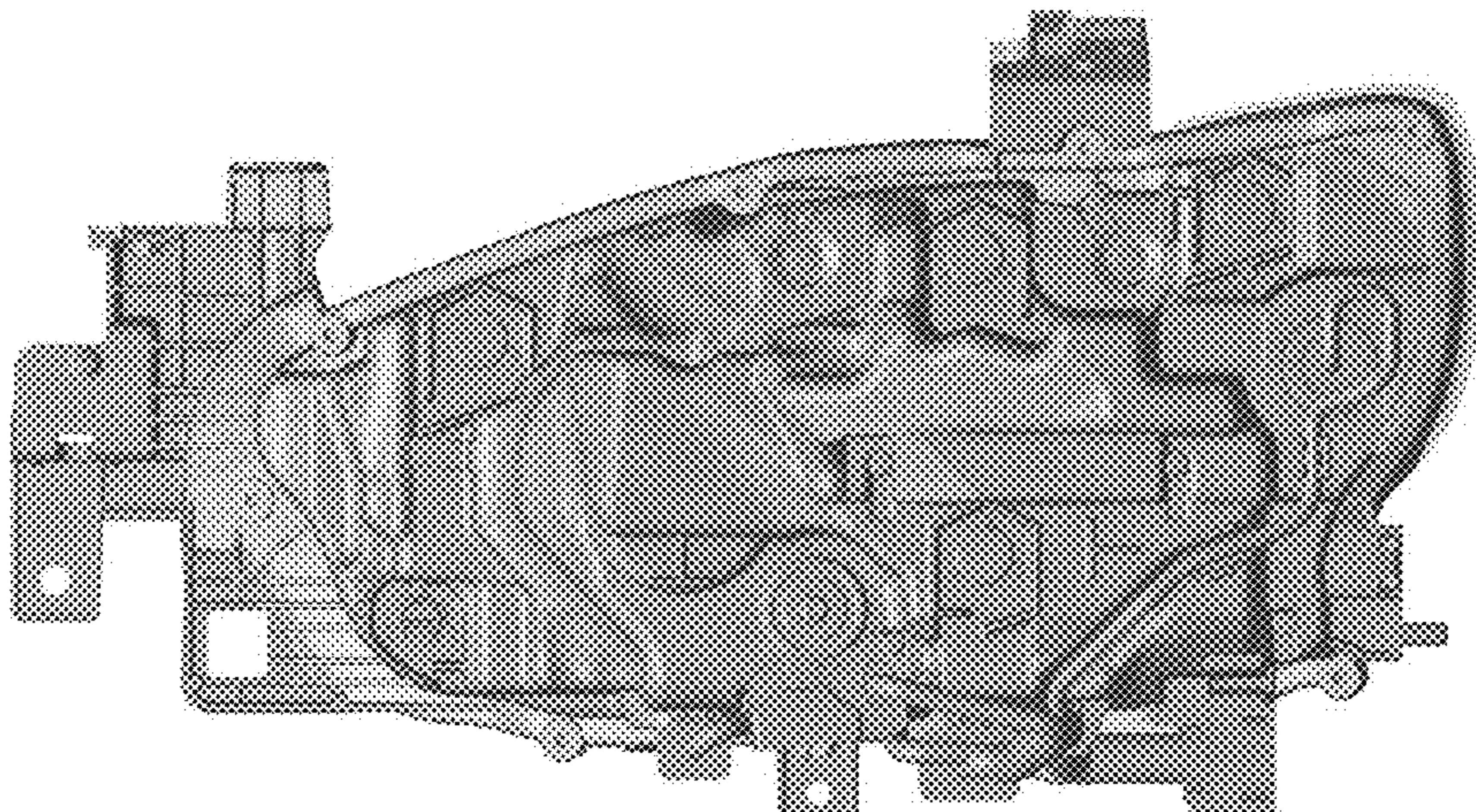


FIG.4

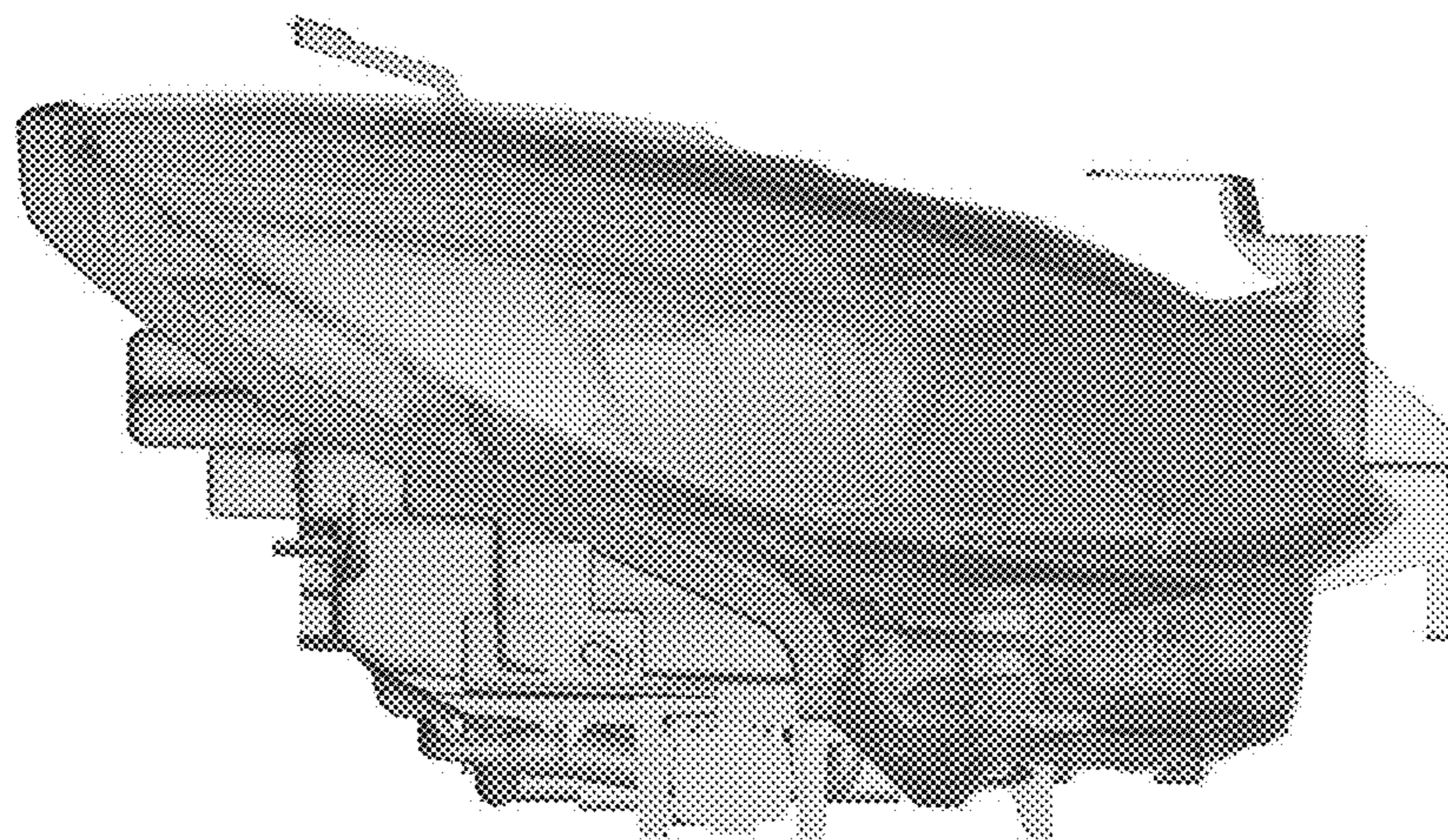


FIG. 5

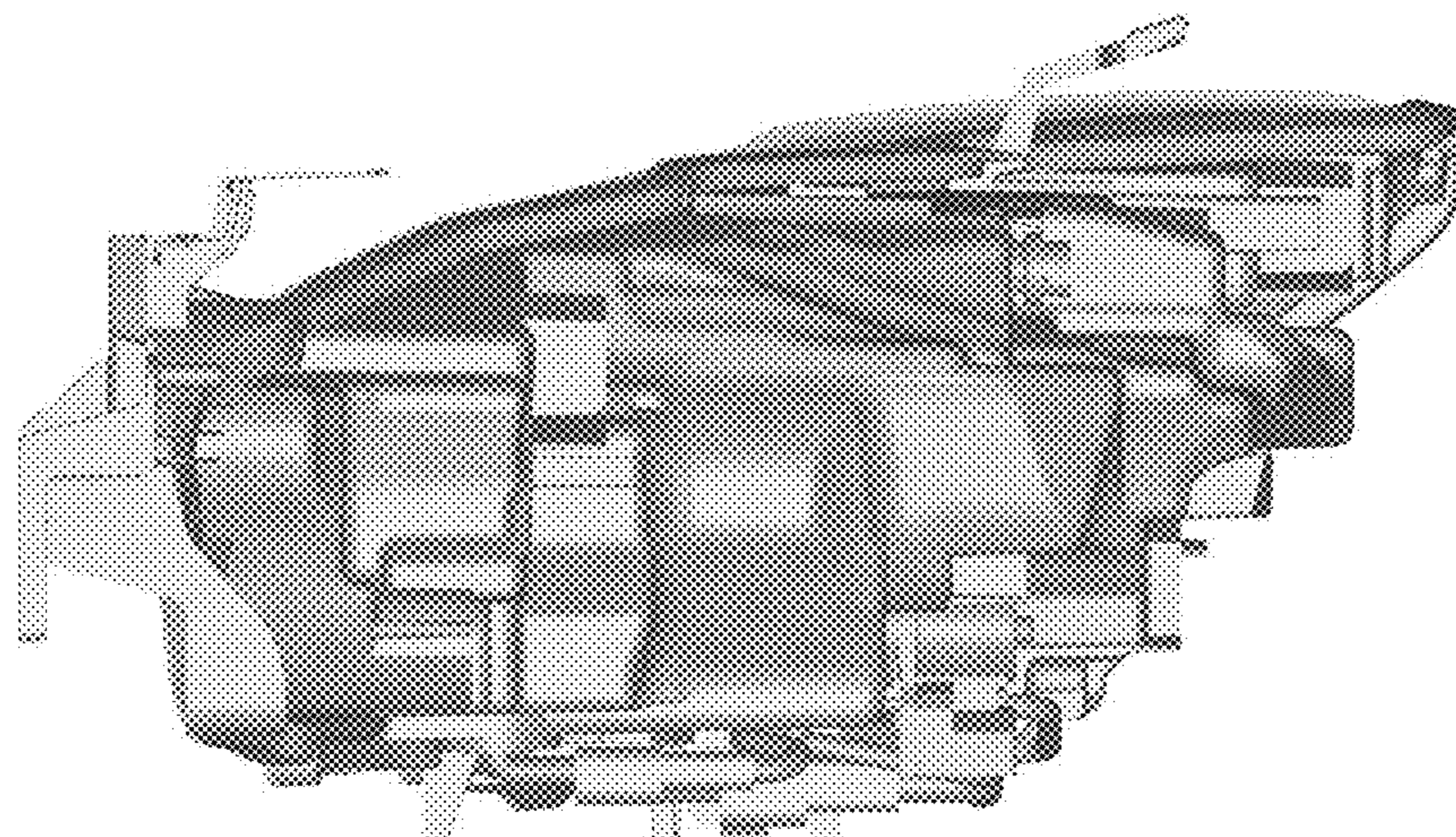


FIG. 6

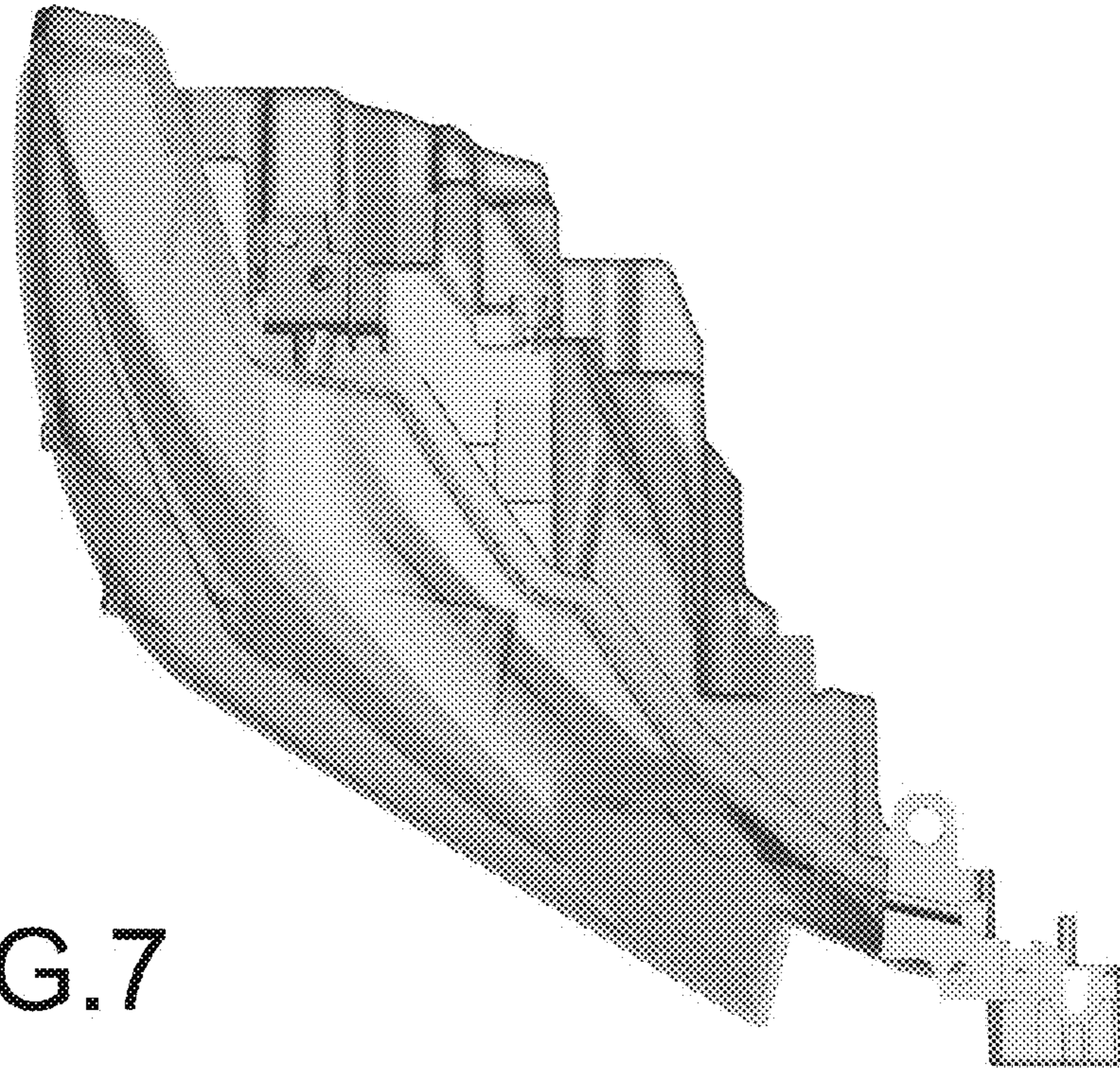


FIG.7

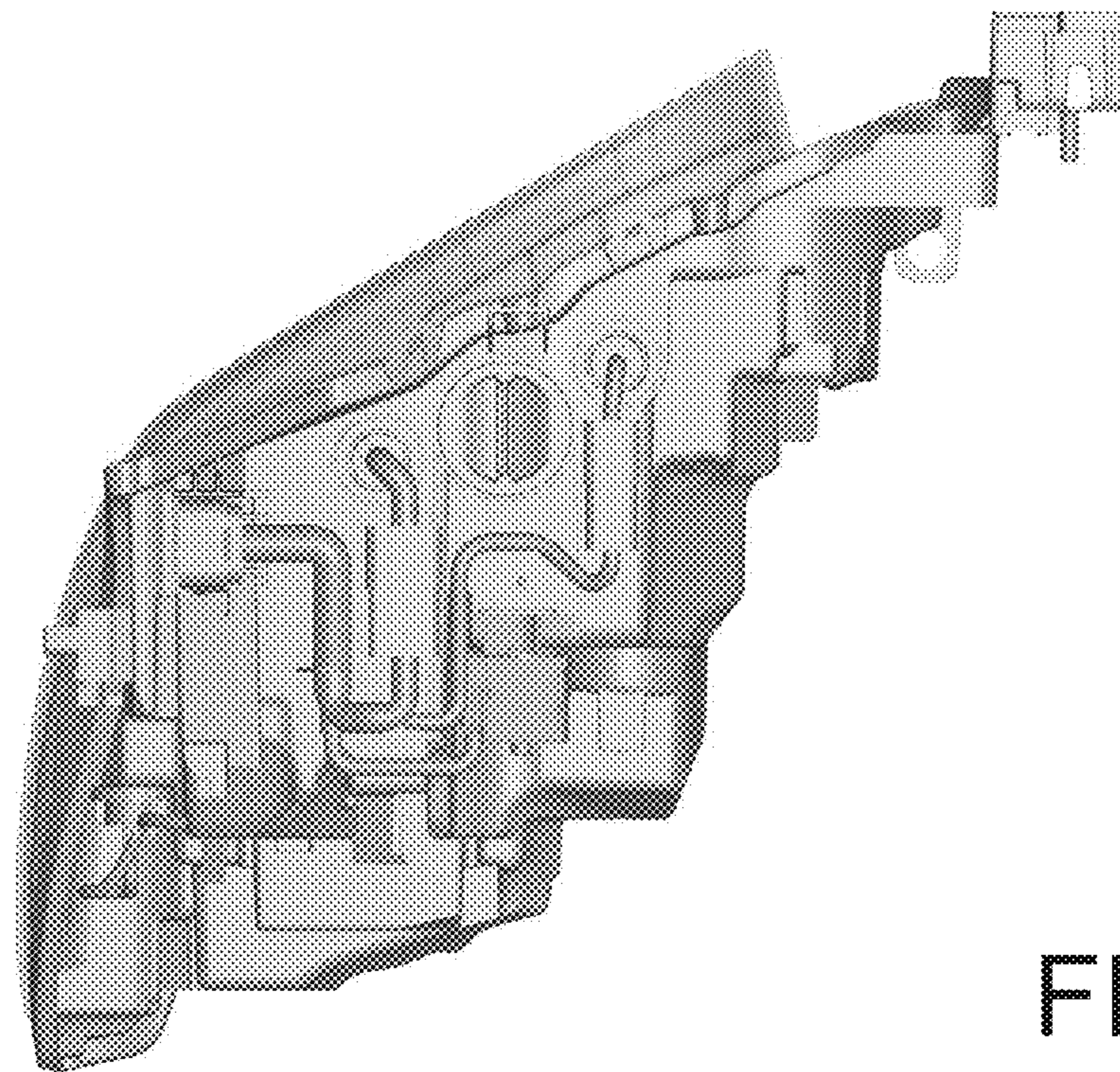


FIG.8