



US00D745722S

(12) **United States Design Patent**  
**Smith**

(10) **Patent No.:** **US D745,722 S**

(45) **Date of Patent:** **\*\* Dec. 15, 2015**

(54) **VEHICLE LIGHT WITH ANTI-THEFT LOCKING RING**

(71) Applicant: **Optronics International, LLC**, Tulsa, OK (US)

(72) Inventor: **Kenneth Smith**, Tulsa, OK (US)

(73) Assignee: **Optronics International, LLC**, Tulsa, OK (US)

(\*\*) Term: **14 Years**

(21) Appl. No.: **29/501,376**

(22) Filed: **Sep. 3, 2014**

(51) **LOC (10) Cl.** ..... **26-06**

(52) **U.S. Cl.**  
USPC ..... **D26/28**

(58) **Field of Classification Search**  
USPC ..... D26/28-36; 362/459-468, 475-478, 362/485-487  
CPC ..... F21S 48/00; F21S 48/10; F21S 48/115; F21S 48/225; F21S 48/1233; F21S 48/1266; F21S 48/1388; F21S 48/2268; F21V 21/04

See application file for complete search history.

(56) **References Cited**

U.S. PATENT DOCUMENTS

D592,330 S *	5/2009	Huang	.....	D26/28
D595,001 S *	6/2009	Gorczyca	.....	D26/28
D601,727 S *	10/2009	Huang	.....	D26/28
D605,789 S *	12/2009	Ko	.....	D26/28
D616,124 S *	5/2010	Wu	.....	D26/28
D626,670 S *	11/2010	Metzger	.....	D26/28
D642,309 S *	7/2011	Huang	.....	D26/28

\* cited by examiner

*Primary Examiner* — Marcus Jackson

(74) *Attorney, Agent, or Firm* — Head, Johnson & Kachigian, P.C.

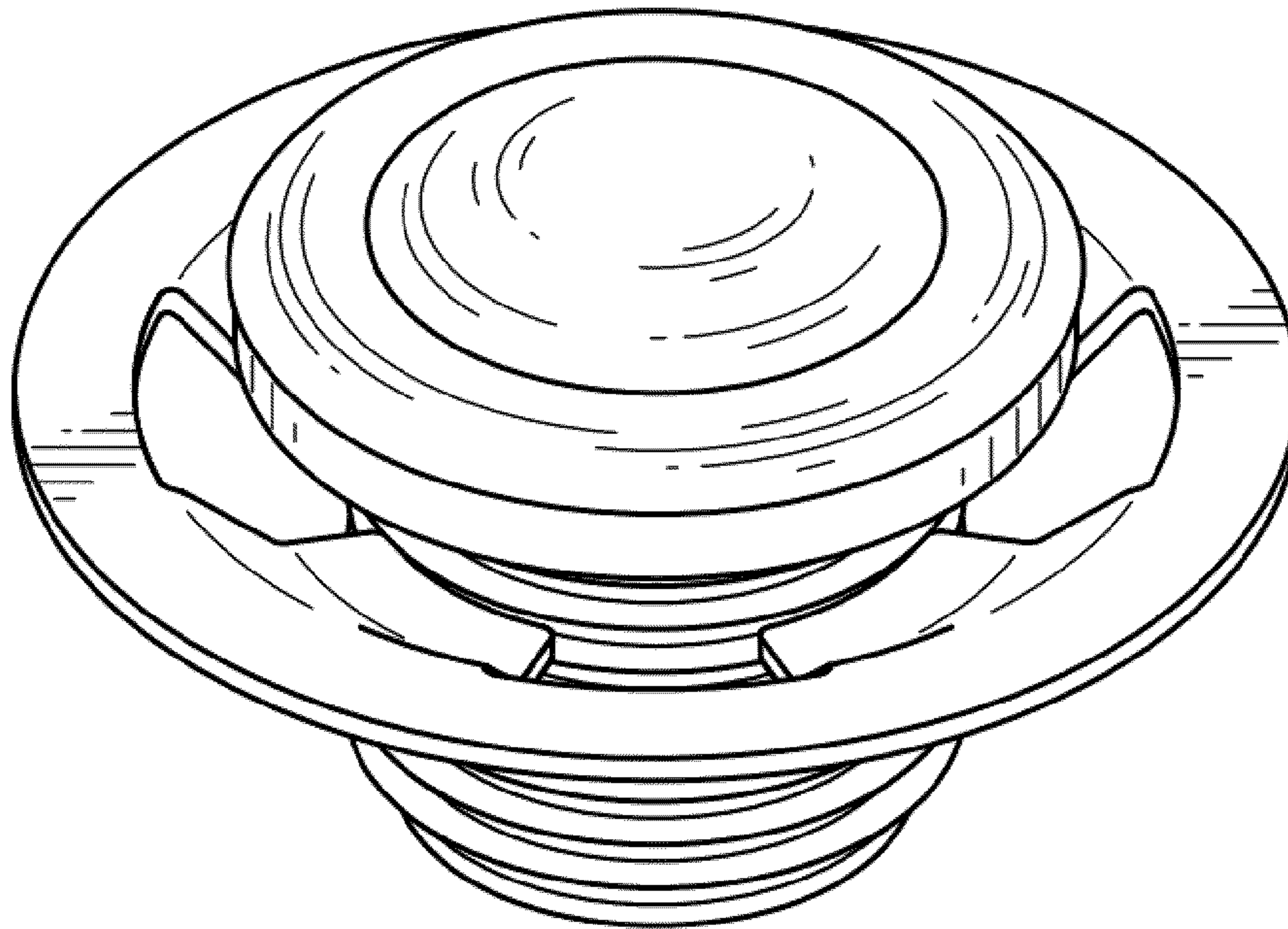
(57) **CLAIM**

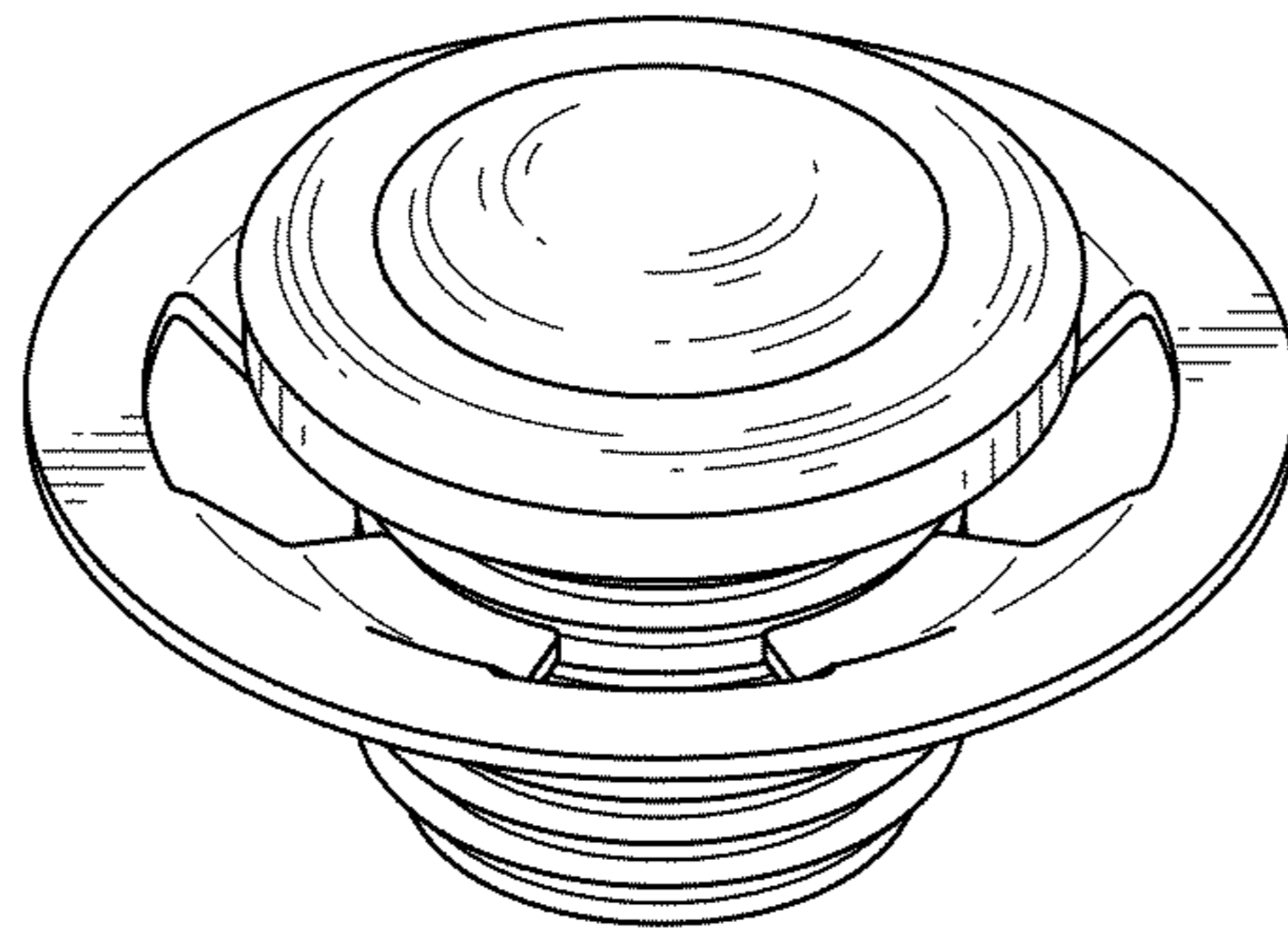
The ornamental design for a vehicle light with anti-theft locking ring, as shown and described.

**DESCRIPTION**

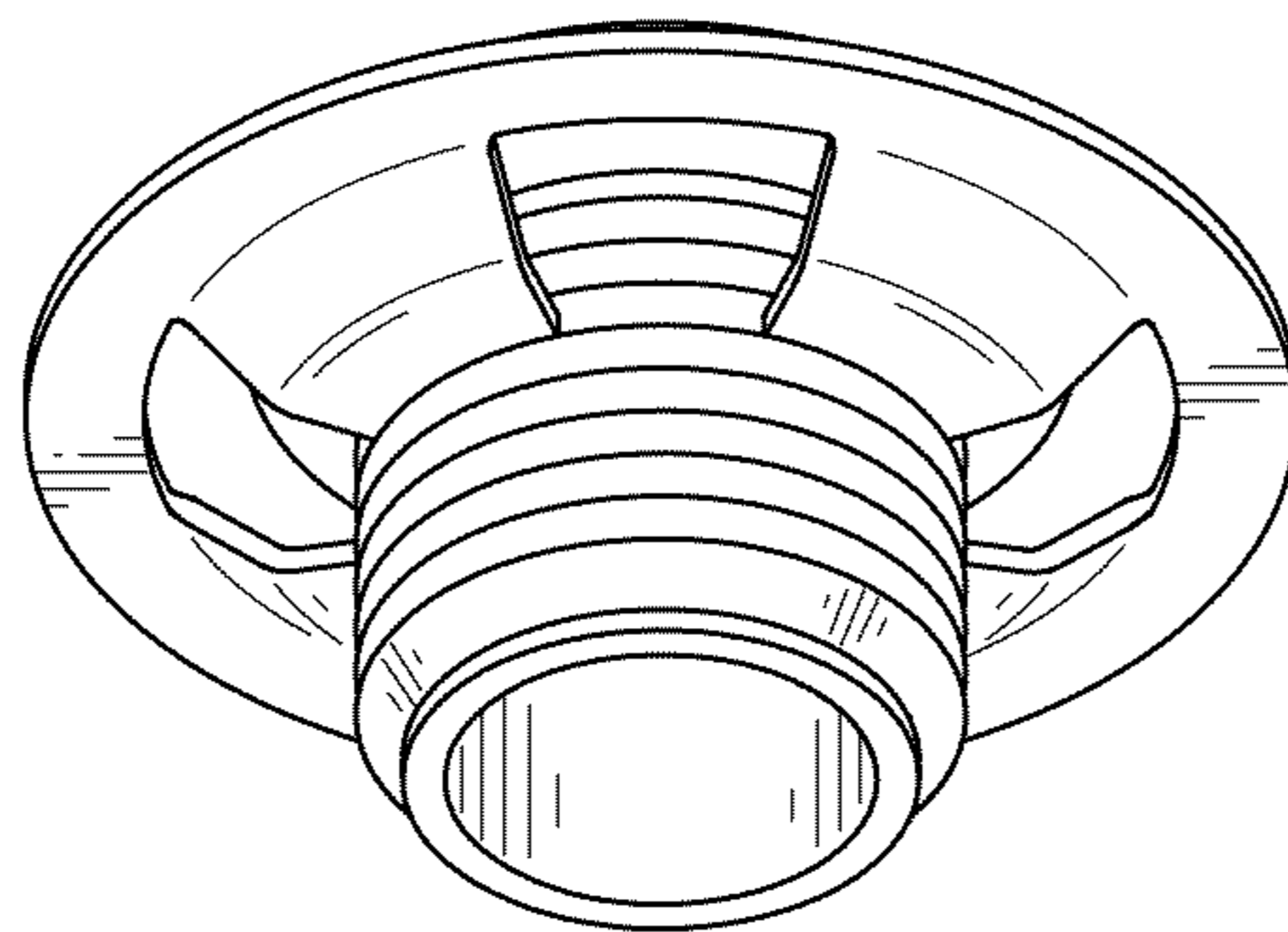
FIG. 1 is a perspective top view of a vehicle light with anti-theft locking ring of the present invention; FIG. 2 is a perspective bottom view thereof; FIG. 3 is a right side view, the left side view being a mirror image thereof; FIG. 4 is a top view thereof; and, FIG. 5 is a bottom view thereof.

**1 Claim, 2 Drawing Sheets**

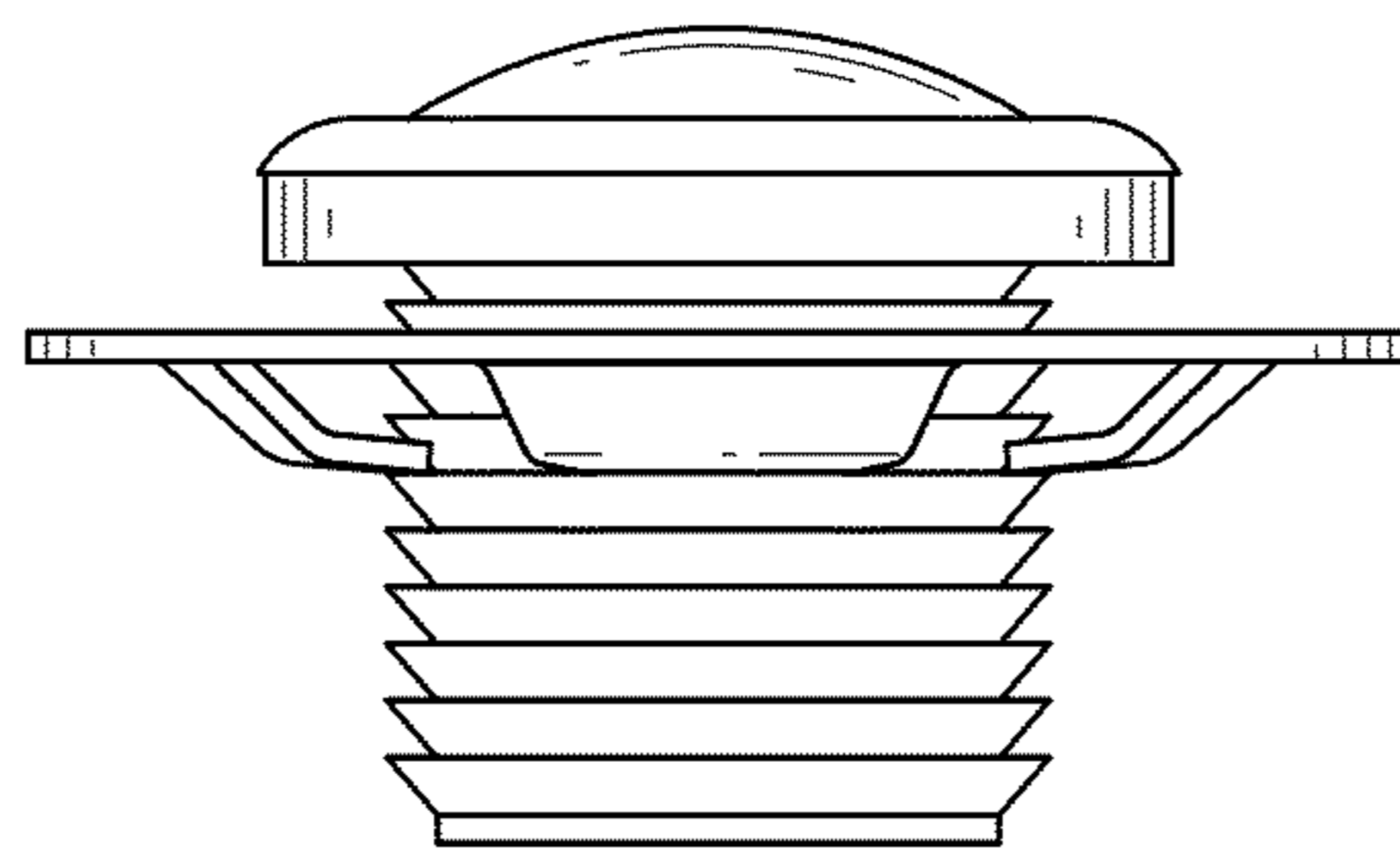




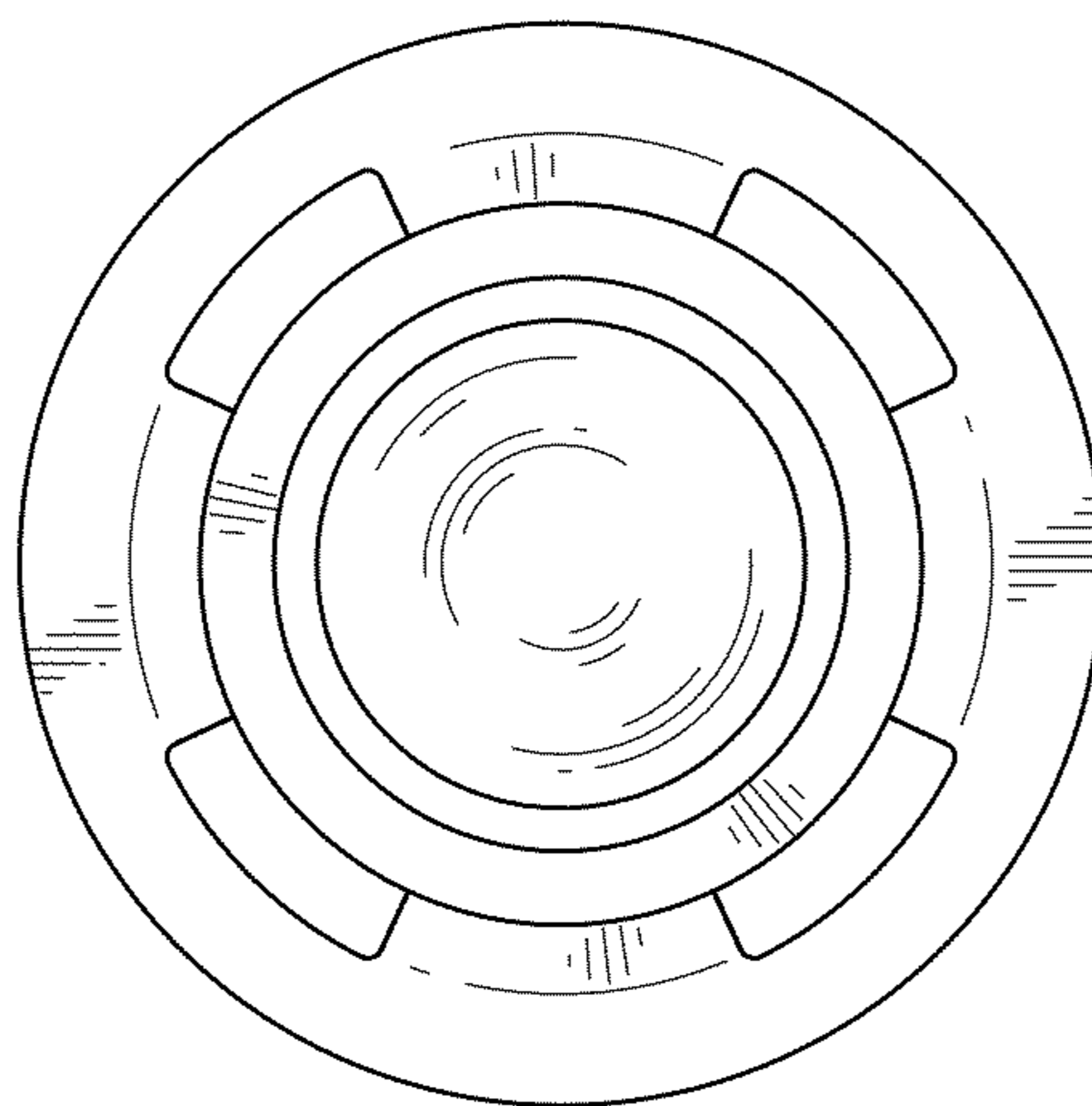
*FIG. 1*



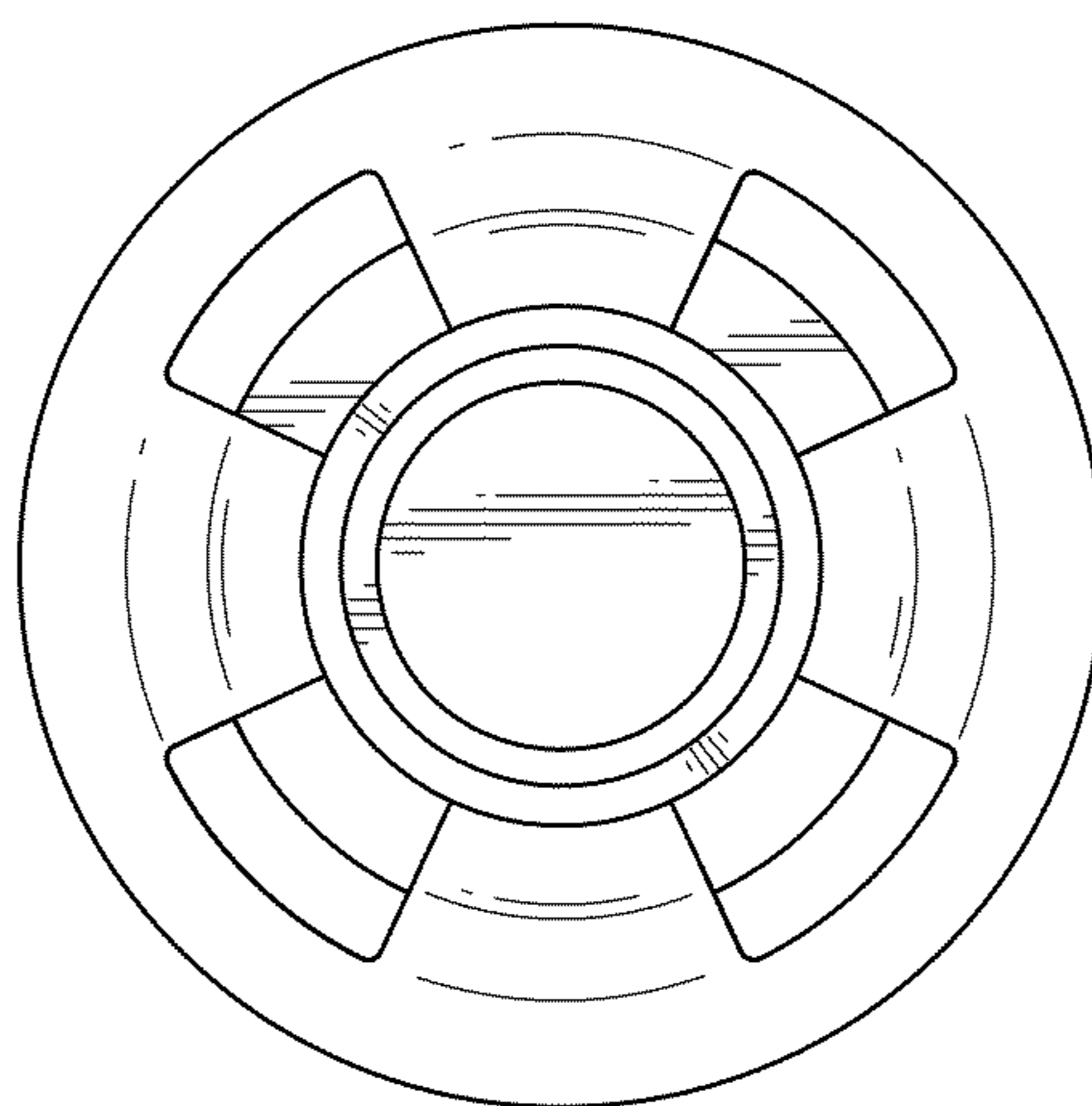
*FIG. 2*



*FIG. 3*



**FIG. 4**



**FIG. 5**