



US00D745721S

(12) **United States Design Patent**
Smith

(10) **Patent No.:** **US D745,721 S**

(45) **Date of Patent:** **** Dec. 15, 2015**

(54) **VEHICLE LIGHT WITH LOCKING CLIP**

(56) **References Cited**

(71) Applicant: **Optronics International, LLC**, Tulsa,
OK (US)

(72) Inventor: **Kenneth Smith**, Tulsa, OK (US)

(73) Assignee: **Optronics International, LLC**, Tulsa,
OK (US)

(**) Term: **14 Years**

(21) Appl. No.: **29/501,367**

(22) Filed: **Sep. 3, 2014**

(51) **LOC (10) Cl.** **26-06**

(52) **U.S. Cl.**
USPC **D26/28**

(58) **Field of Classification Search**
USPC D26/28-36; 362/459-468, 475-478,
362/485-487
CPC F21S 48/00; F21S 48/10; F21S 48/115;
F21S 48/225; F21S 48/1233; F21S 48/1266;
F21S 48/1388; F21S 48/2268; F21V 21/04

See application file for complete search history.

U.S. PATENT DOCUMENTS

D490,172 S *	5/2004	Yamamoto	D26/28
D564,683 S *	3/2008	Roach	D26/28
D570,009 S *	5/2008	Kani	D26/28
D638,963 S *	5/2011	Huang	D26/28
D704,365 S *	5/2014	Adams	D26/28
D718,478 S *	11/2014	Adams	D26/28
D722,713 S *	2/2015	Burns	D26/28

* cited by examiner

Primary Examiner — Marcus Jackson

(74) *Attorney, Agent, or Firm* — Head, Johnson & Kachigian, P.C.

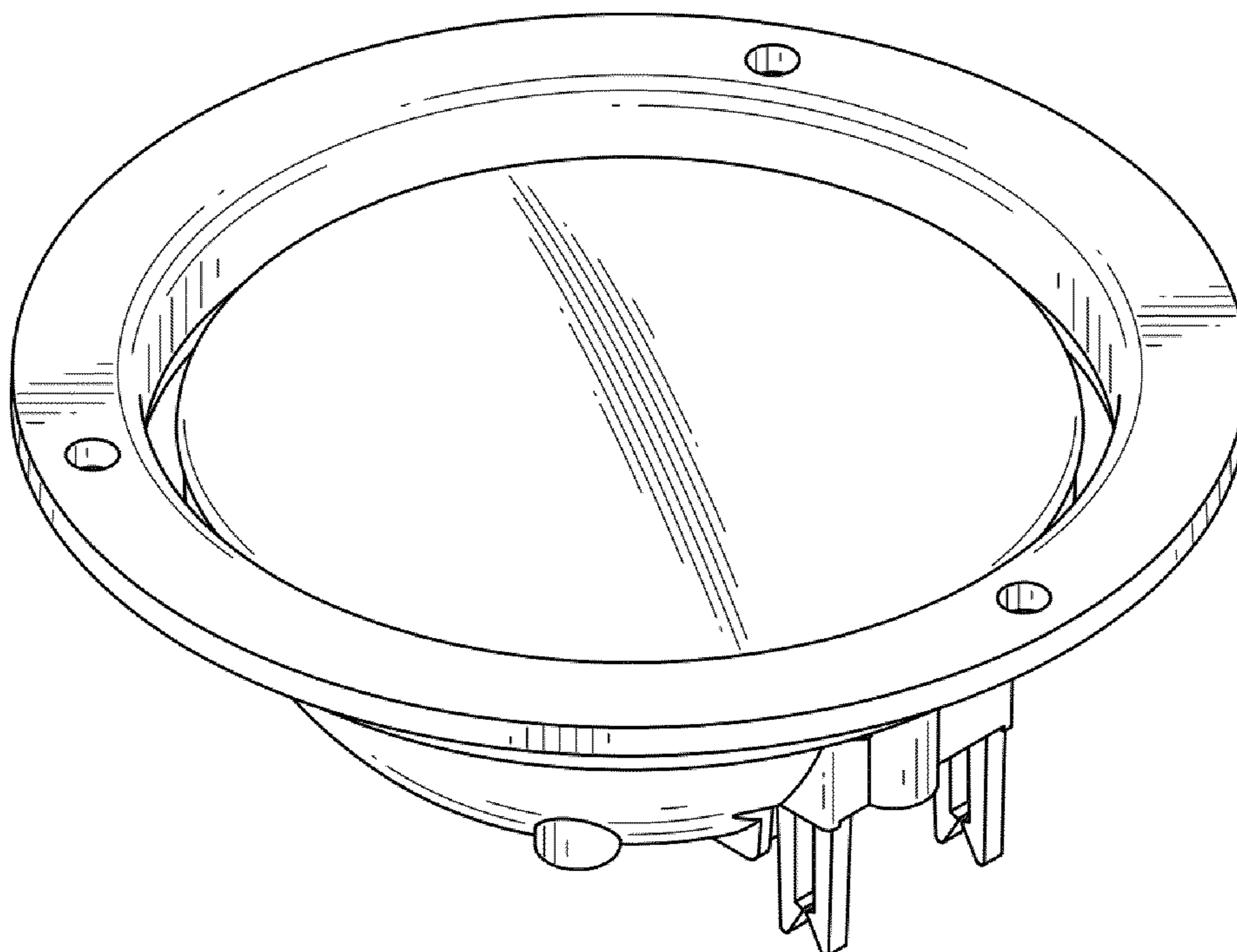
(57) **CLAIM**

The ornamental design for a vehicle light with locking clip, as shown and described.

DESCRIPTION

FIG. 1 is a perspective top view of a vehicle light with locking clip of the present invention;
FIG. 2 is a perspective bottom view thereof;
FIG. 3 is a top view thereof;
FIG. 4 is a bottom view thereof;
FIG. 5 is a front view thereof;
FIG. 6 is a rear view thereof; and,
FIG. 7 is a right side view thereof, the left side view being a mirror image thereof.

1 Claim, 3 Drawing Sheets



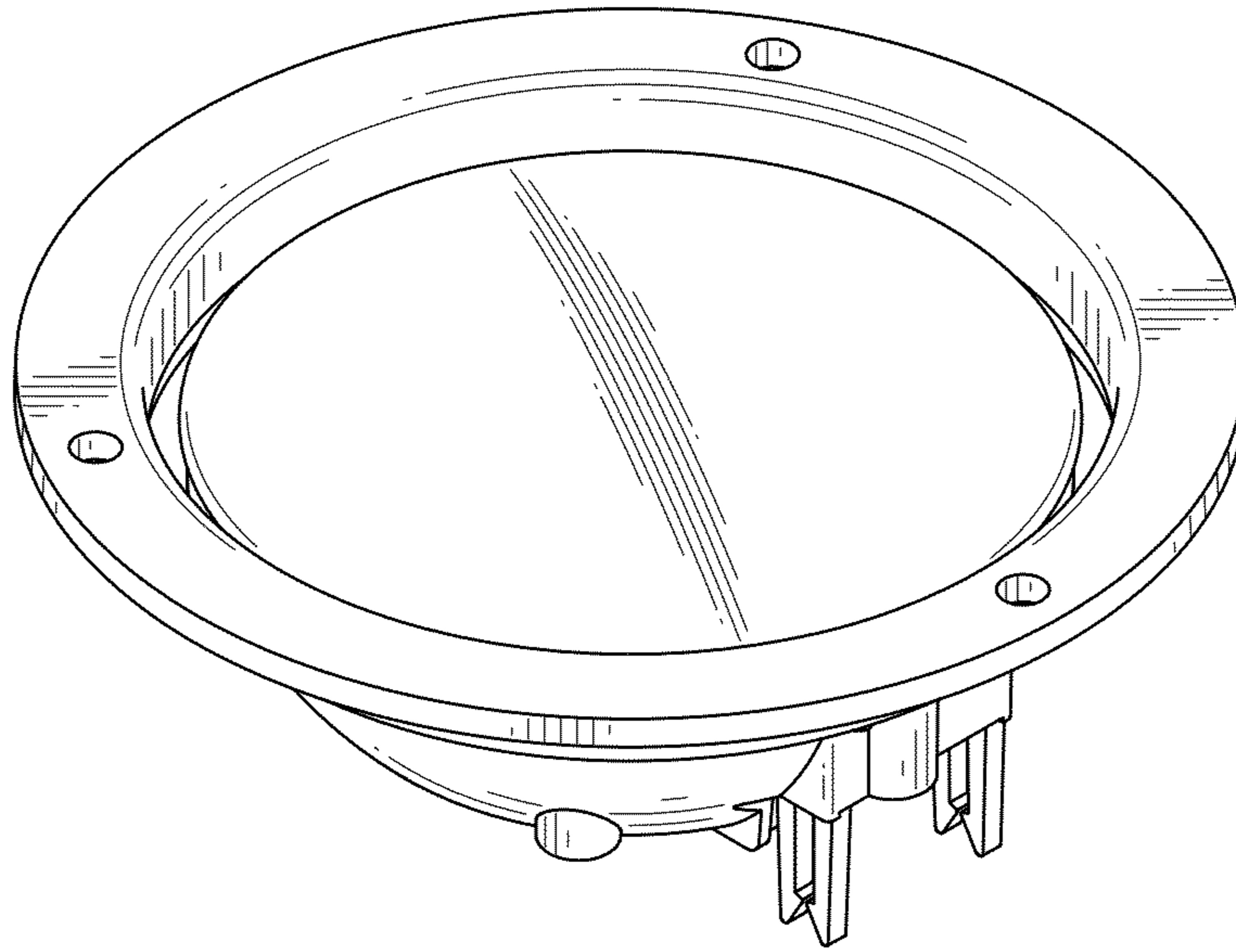


FIG. 1

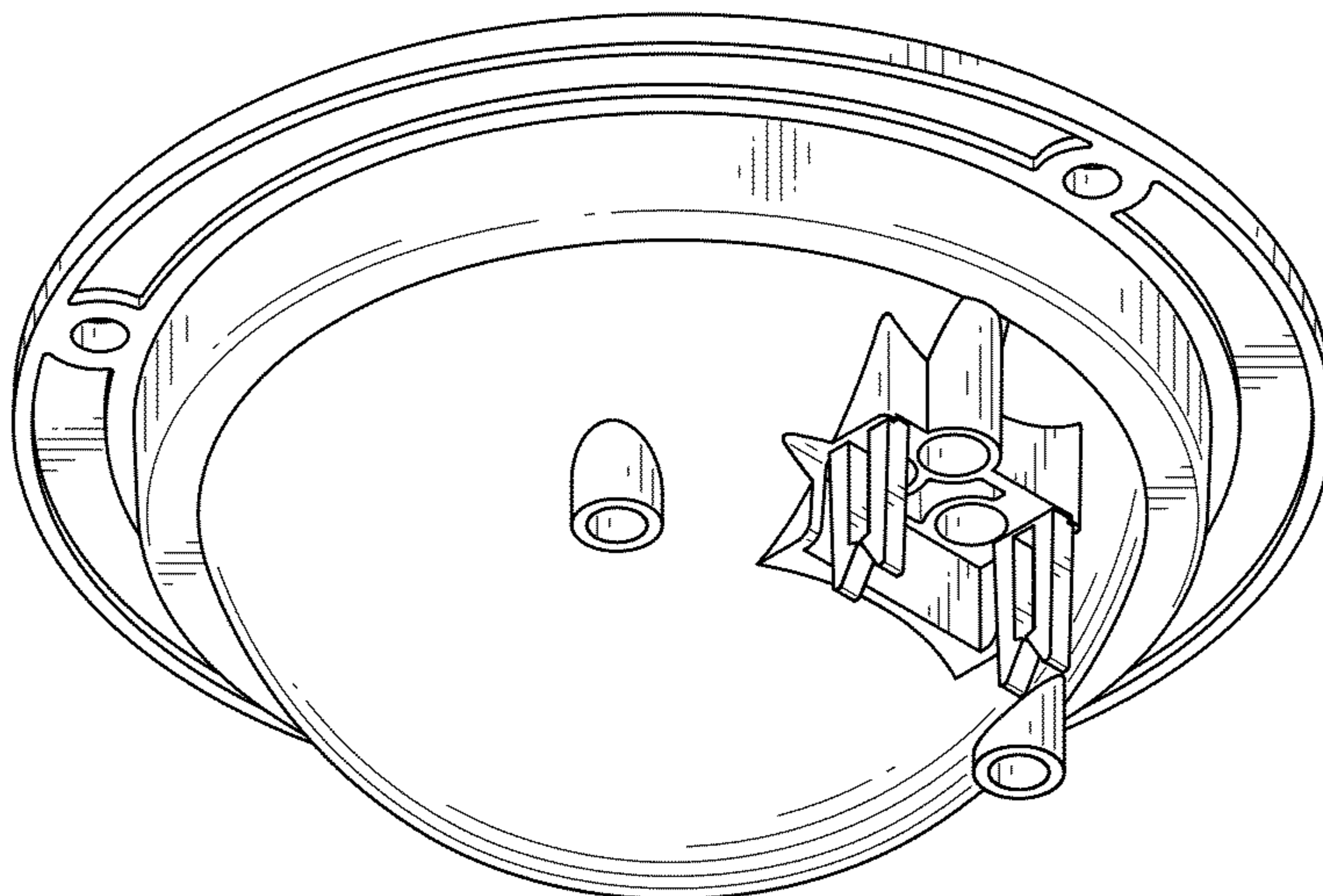


FIG. 2

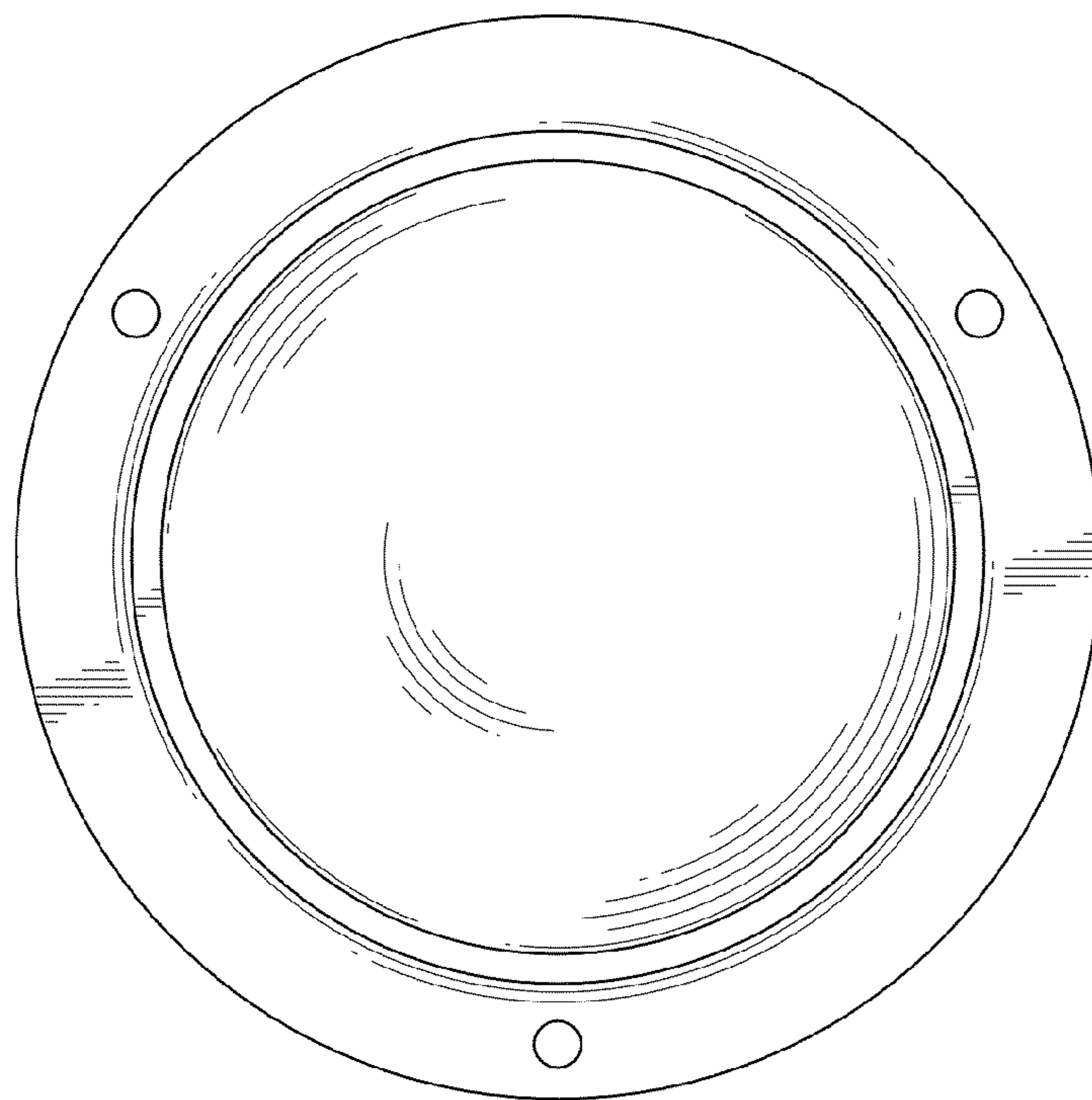


FIG. 3

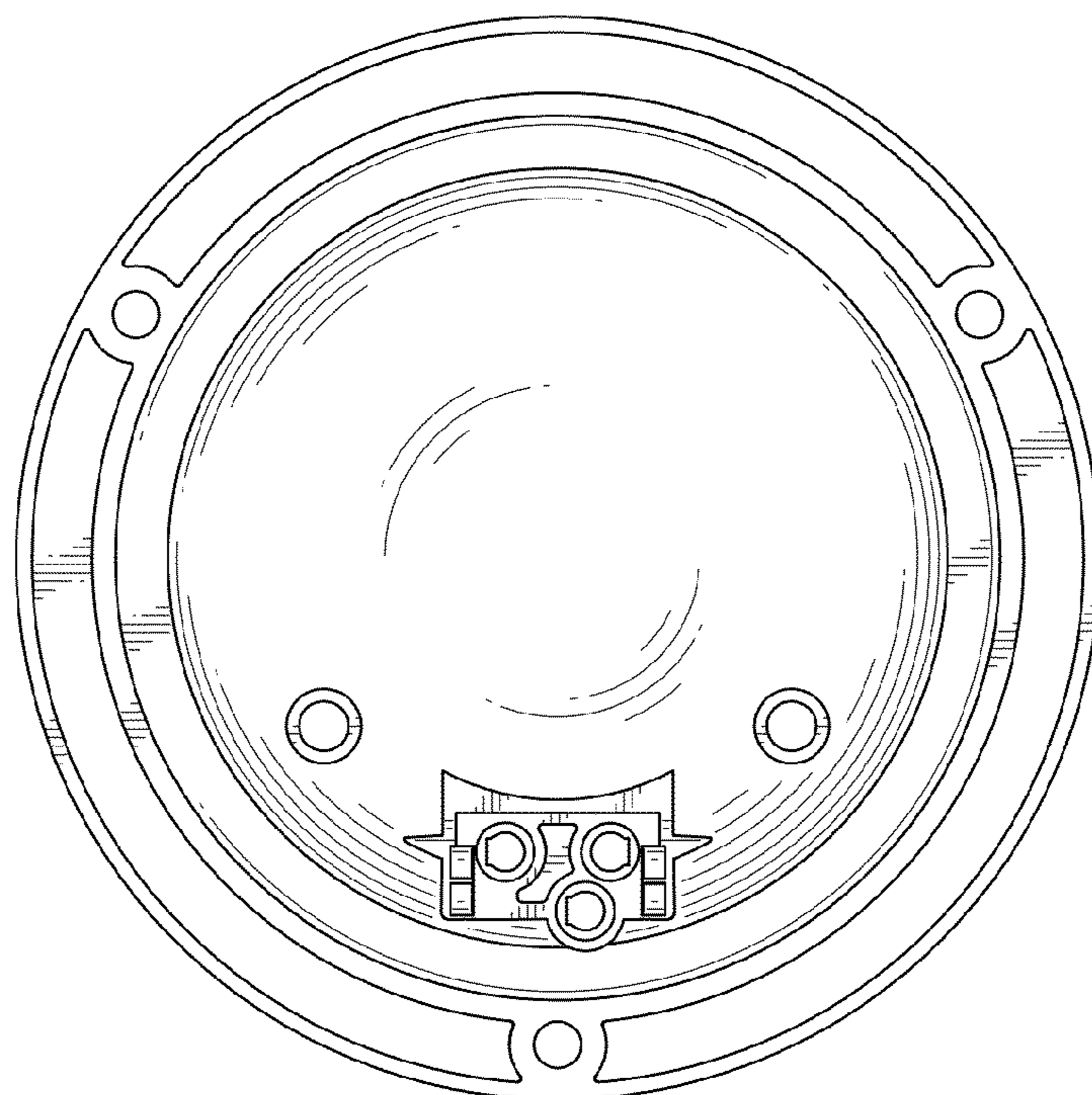


FIG. 4

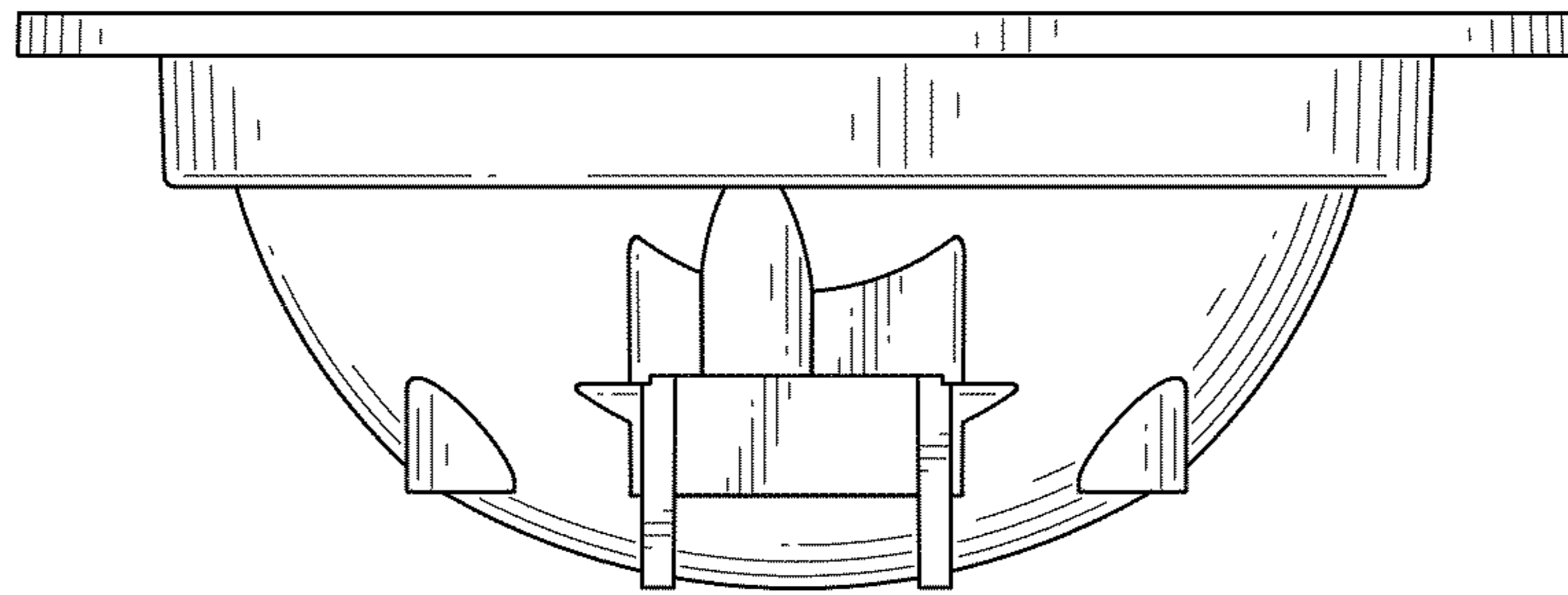


FIG. 5

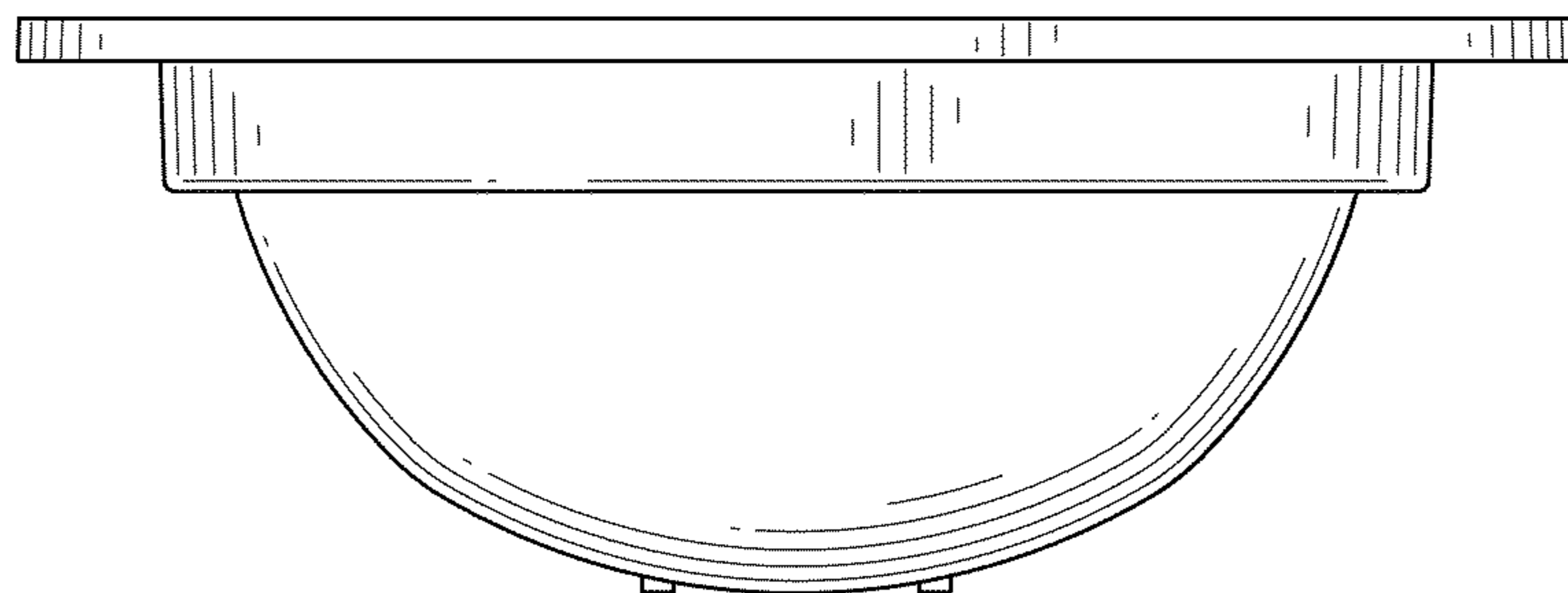


FIG. 6

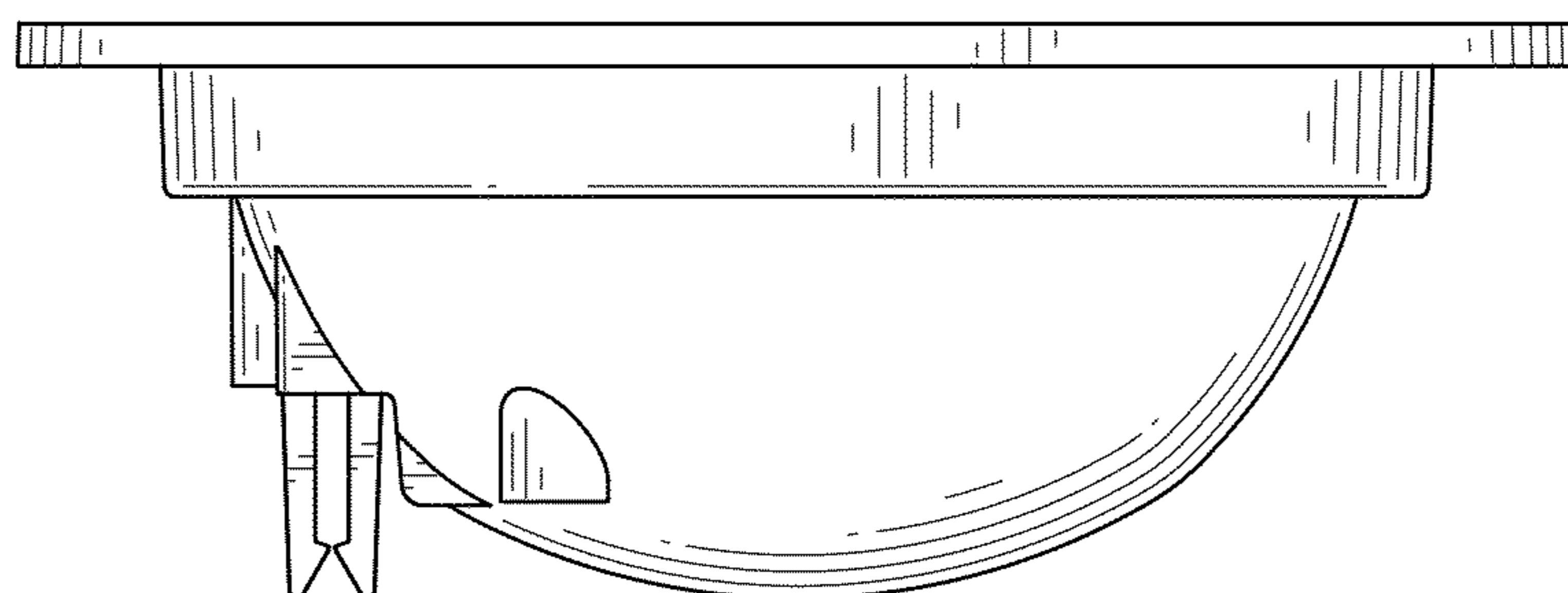


FIG. 7