



US00D745720S

(12) **United States Design Patent**
Chang

(10) **Patent No.:** **US D745,720 S**

(45) **Date of Patent:** **** Dec. 15, 2015**

(54) **COMBINATION TAILLIGHT AND SIGNAL LIGHT**

(71) Applicant: **Optronics International, LLC**, Tulsa, OK (US)

(72) Inventor: **Chao-Ming Chang**, Tainan (TW)

(73) Assignee: **OPTRONICS INTERNATIONAL, LLC**, Tulsa, OK (US)

(**) Term: **14 Years**

(21) Appl. No.: **29/501,344**

(22) Filed: **Sep. 3, 2014**

(51) **LOC (10) Cl.** **26-06**

(52) **U.S. Cl.**
USPC **D26/28**

(58) **Field of Classification Search**
USPC D26/28-36; 362/459-468, 475-478, 362/485-487

CPC F21S 48/00; F21S 48/10; F21S 48/115; F21S 48/225; F21S 48/1233; F21S 48/1266; F21S 48/1388; F21S 48/2268; F21V 21/04

See application file for complete search history.

(56) **References Cited**

U.S. PATENT DOCUMENTS

D512,790 S * 12/2005 Handsake D26/28
D549,367 S * 8/2007 Hovind D26/28
D583,490 S * 12/2008 Rogers D26/28

* cited by examiner

Primary Examiner — Marcus Jackson

(74) *Attorney, Agent, or Firm* — Head, Johnson & Kachigian, P.C.

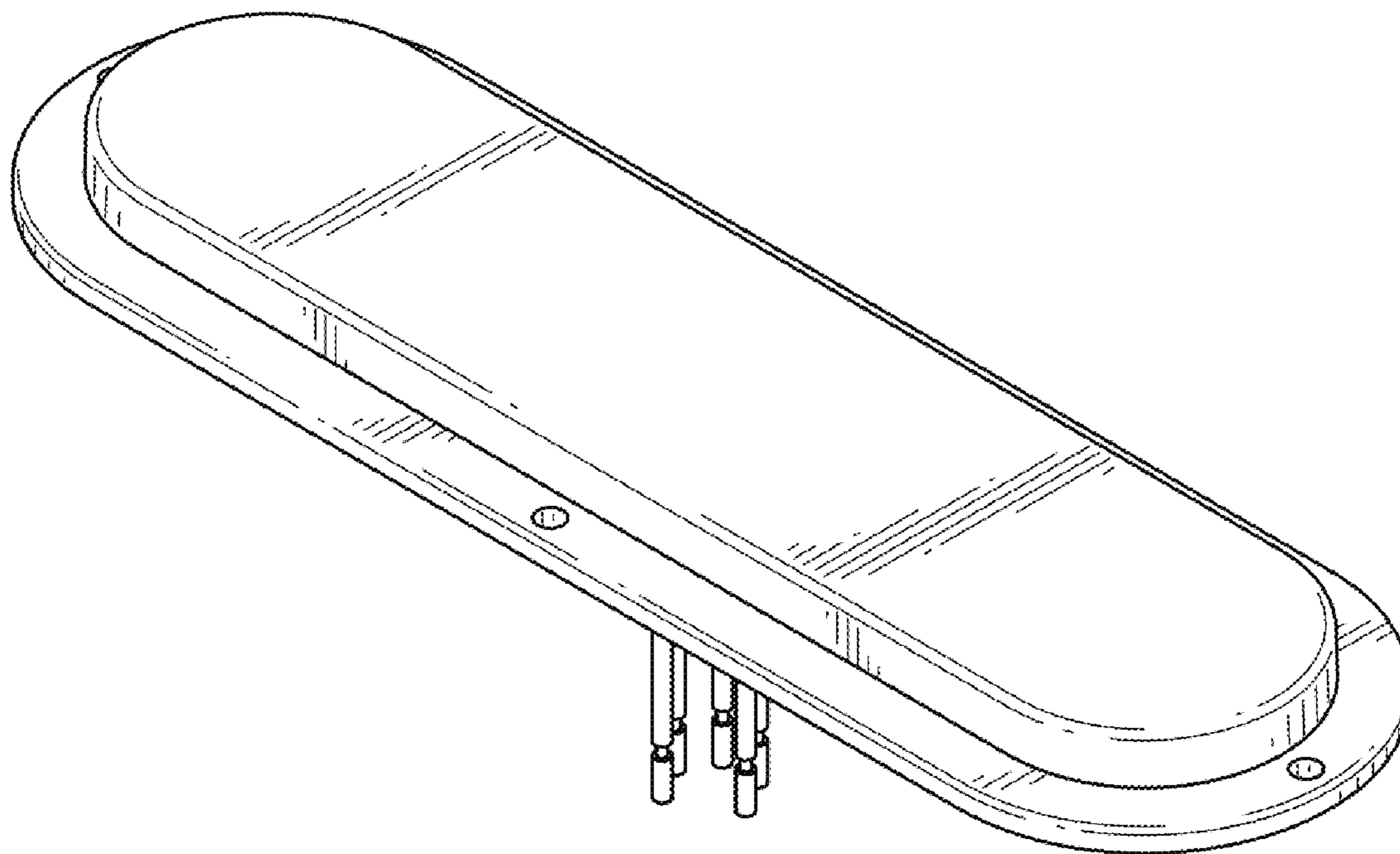
(57) **CLAIM**

The ornamental design for a combination taillight and signal light, as shown and described.

DESCRIPTION

FIG. 1 is a perspective top view of a combination taillight and signal light of the present invention;
FIG. 2 is a top view thereof;
FIG. 3 is a bottom view thereof;
FIG. 4 is a right side view thereof, the left side being a mirror image thereof; and,
FIG. 5 is a front view thereof, the rear view being a mirror image thereof.

1 Claim, 2 Drawing Sheets



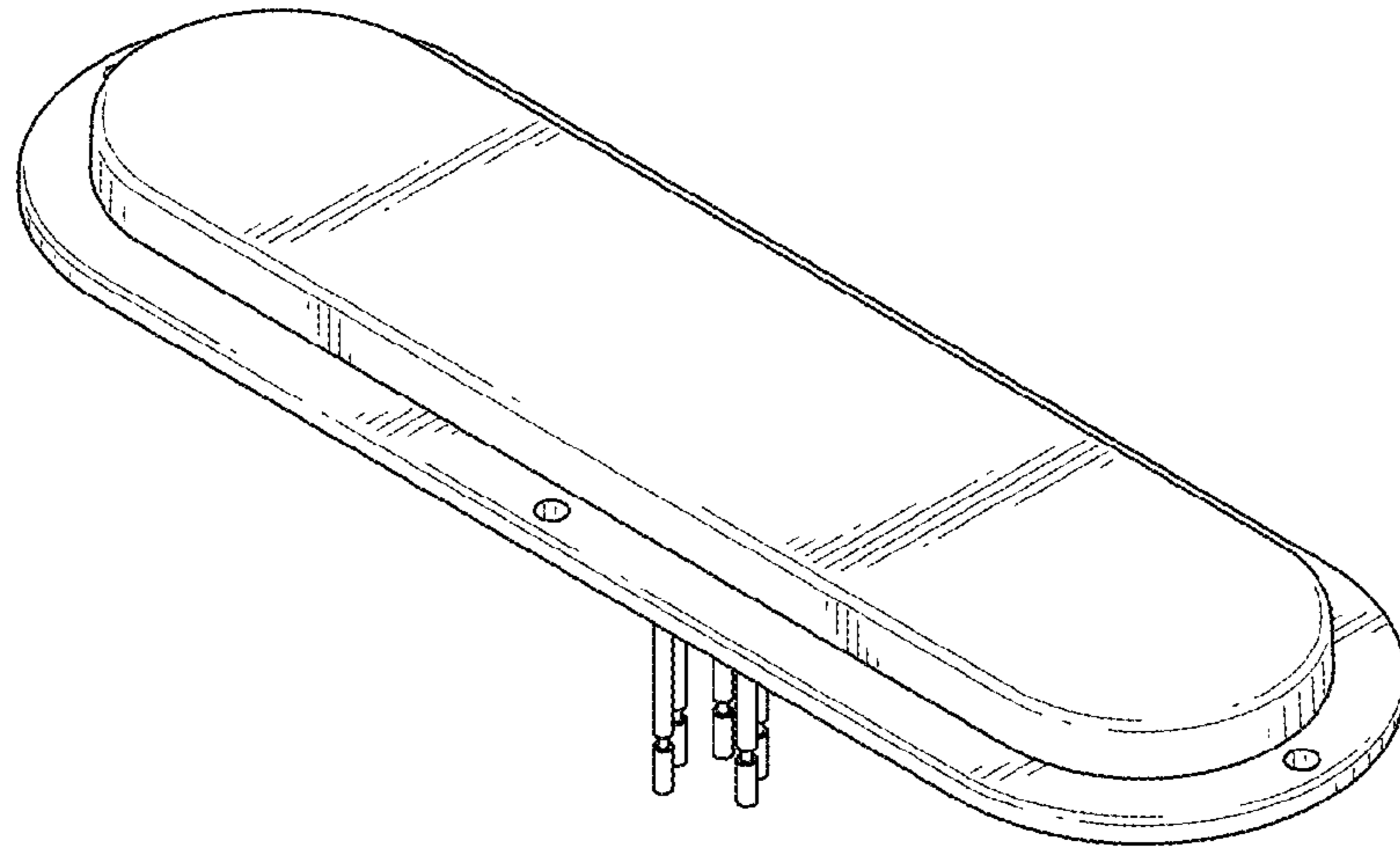


FIG. 1

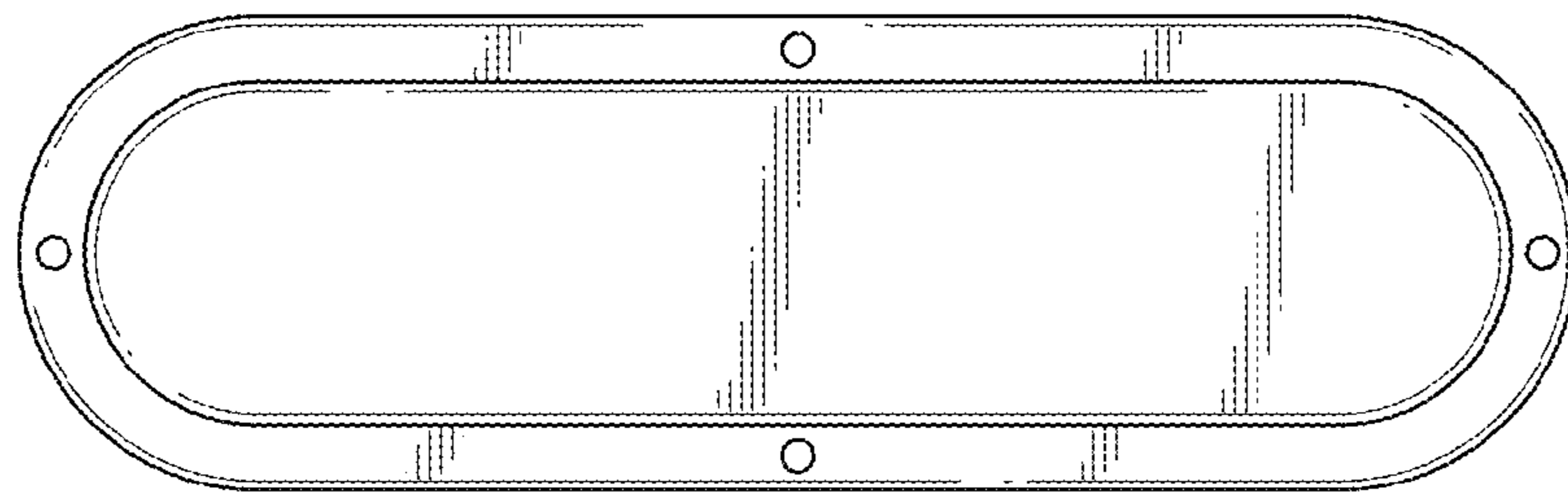


FIG. 2

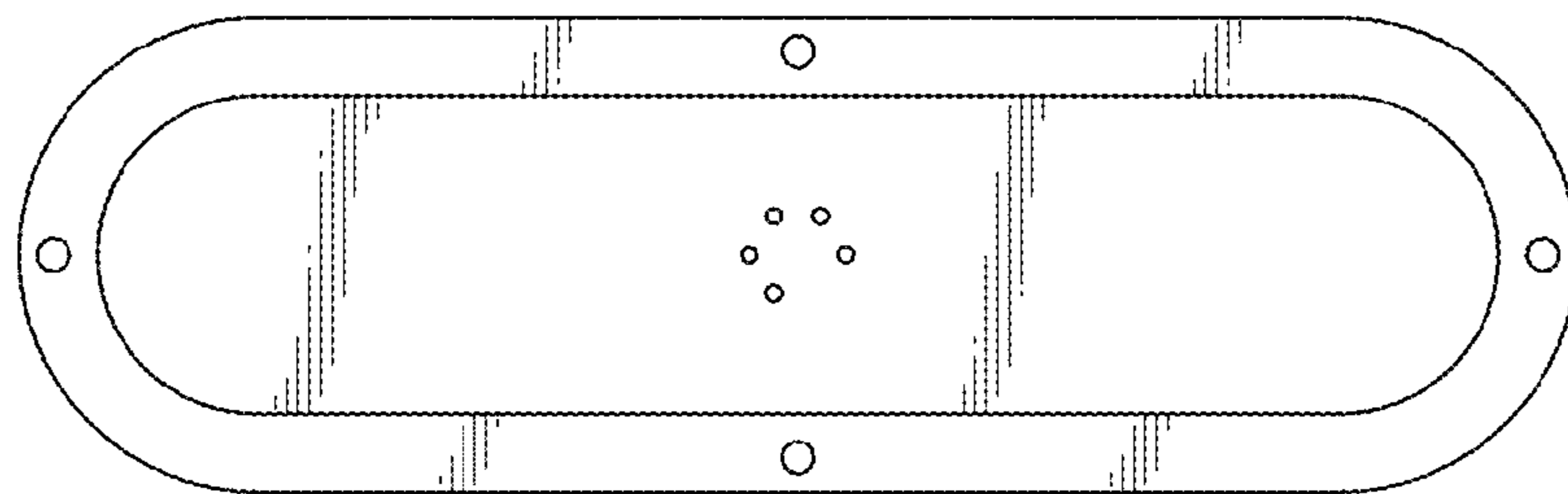


FIG. 3

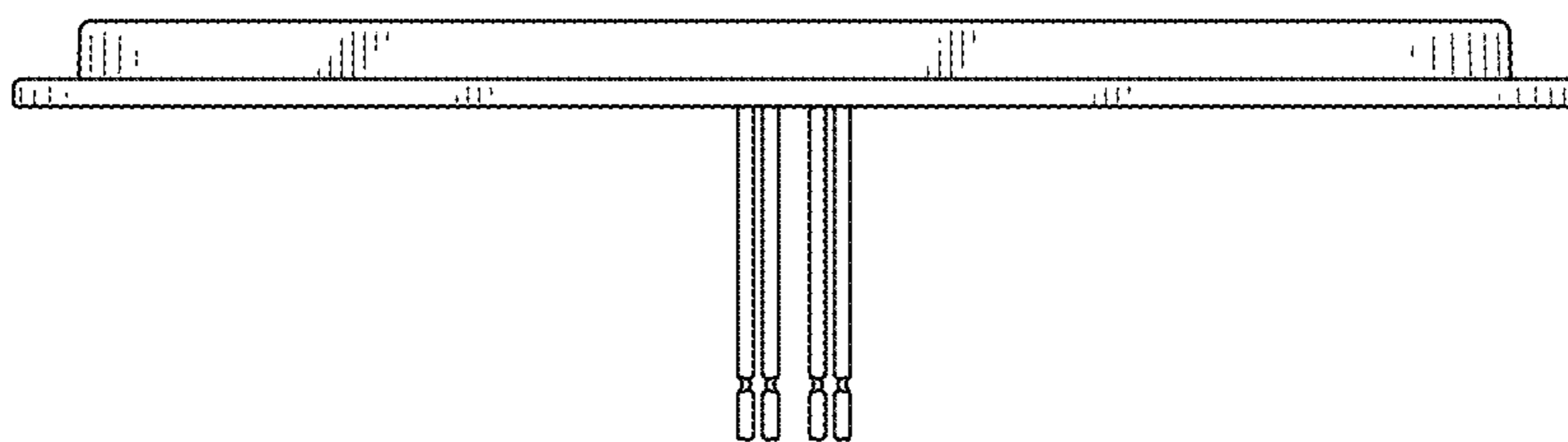


FIG. 4

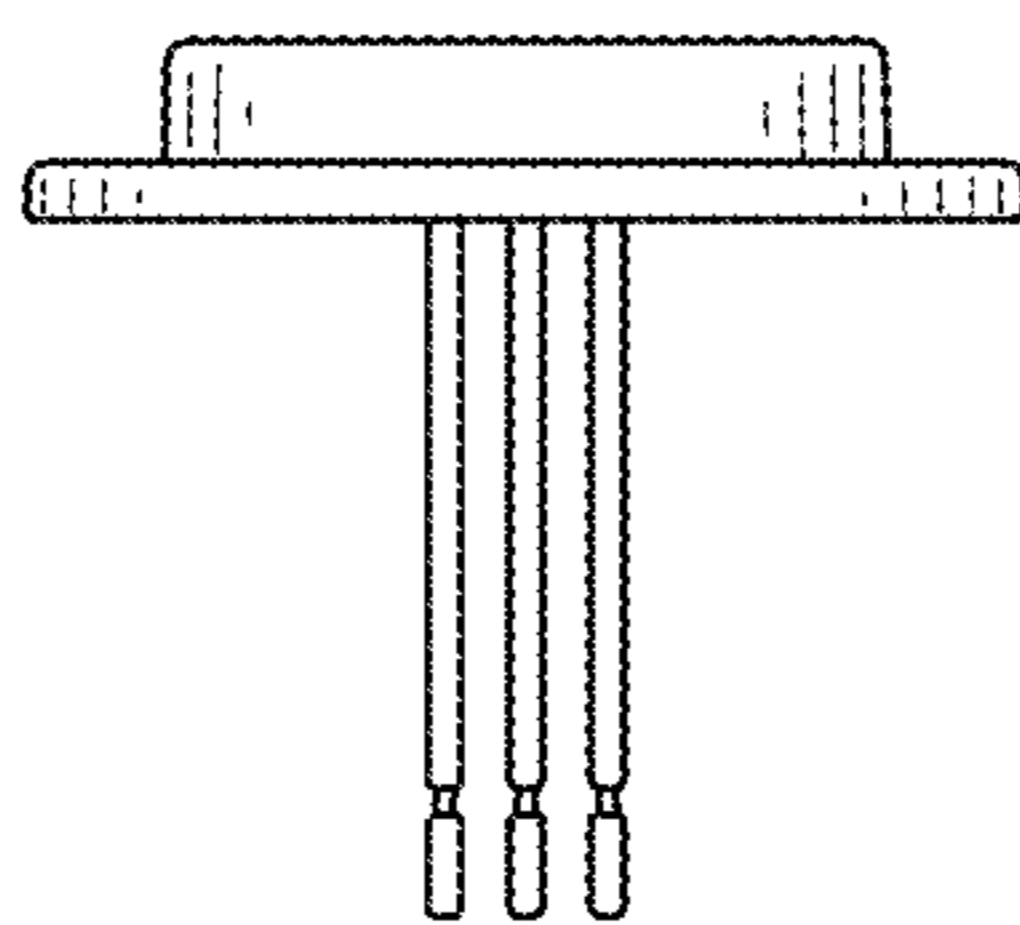


FIG. 5