



US00D745719S

(12) **United States Design Patent**
Boniface et al.

(10) **Patent No.:** **US D745,719 S**

(45) **Date of Patent:** **** Dec. 15, 2015**

(54) **VEHICLE REARLIGHT**

(71) Applicant: **GM GLOBAL TECHNOLOGY OPERATIONS LLC**, Detroit, MI (US)

(72) Inventors: **Robert E. Boniface**, Bloomfield Hills, MI (US); **Robert J. Munson**, Rochester Hills, MI (US)

(73) Assignee: **GM Global Technology Operations LLC**, Detroit, MI (US)

(**) Term: **14 Years**

(21) Appl. No.: **29/501,210**

(22) Filed: **Sep. 2, 2014**

(51) **LOC (10) Cl.** **26-06**

(52) **U.S. Cl.**
USPC **D26/28**

(58) **Field of Classification Search**
USPC D26/28-36; 362/459-468, 475-478, 362/485-487

CPC F21S 48/00; F21S 48/225; F21S 48/1233; F21S 48/1266; F21S 48/1388; F21S 48/2268; F21V 21/04

See application file for complete search history.

(56) **References Cited**

U.S. PATENT DOCUMENTS

D552,769 S * 10/2007 Leclercq D26/28
D553,269 S * 10/2007 Pfeiffer et al. D26/28

D560,292 S * 1/2008 Sato D26/28
D561,357 S * 2/2008 Leclercq D26/28
D565,211 S * 3/2008 Haller et al. D26/28
D574,524 S * 8/2008 Tomatsu D26/28

OTHER PUBLICATIONS

Design U.S. Appl. No. 29/457,761, filed Jun. 12, 2013; First Named Inventor: Niels Loeb; Title: Vehicle Rearlight.

Design U.S. Appl. No. 29/457,762, filed Jun. 12, 2013; First Named Inventor: Niels Loeb; Title: Vehicle Rearlight.

Design U.S. Appl. No. 29/476,490, filed Dec. 13, 2013; First Named Inventor: Robert J. Munson; Title: Vehicle Body Exterior.

* cited by examiner

Primary Examiner — Marcus Jackson

(74) *Attorney, Agent, or Firm* — Lionel D. Anderson; Reising Ethington P.C.

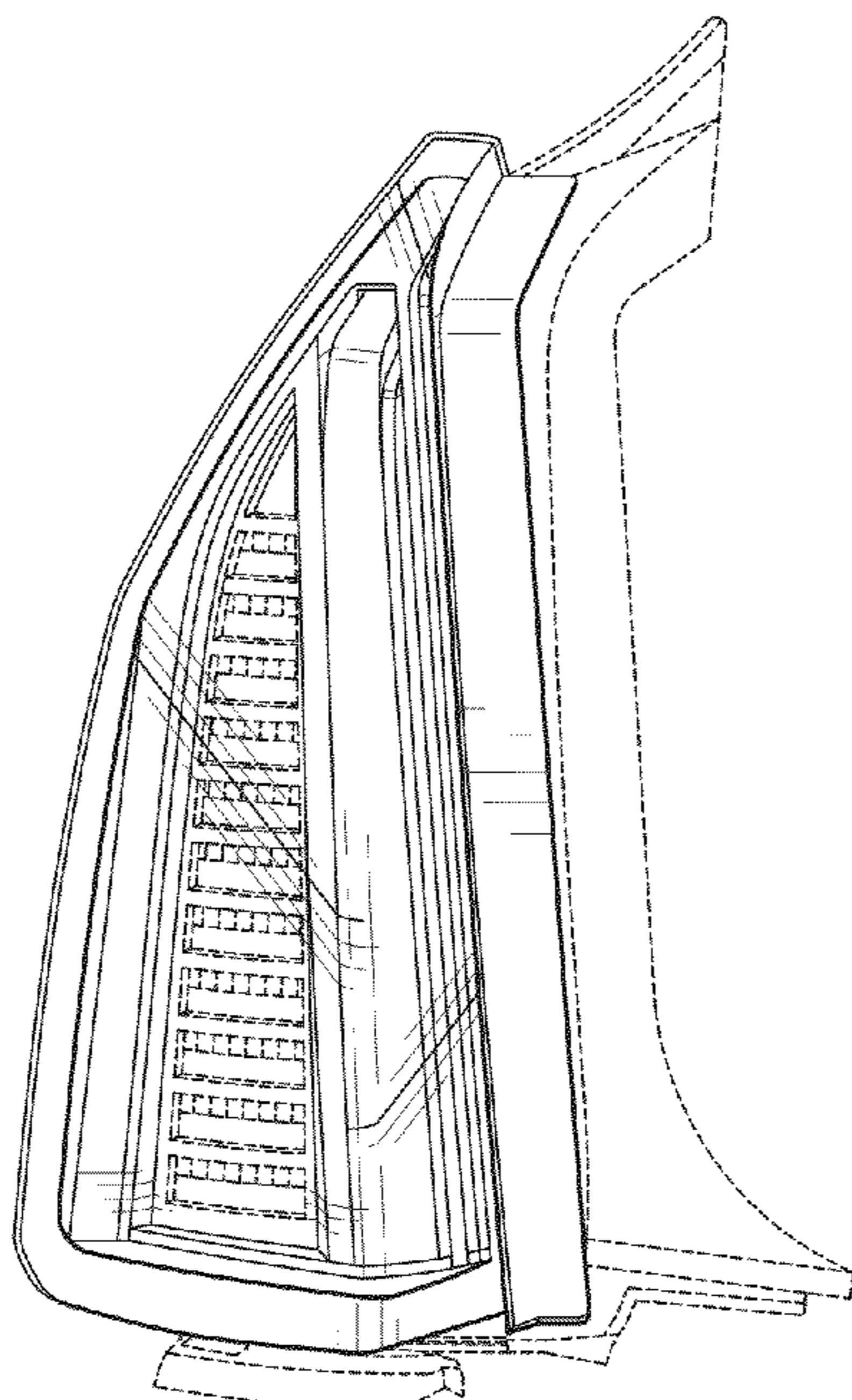
(57) **CLAIM**

The ornamental design for a vehicle rearlight, as shown and described.

DESCRIPTION

FIG. 1 is a front view thereof;
FIG. 2 is a side view thereof;
FIG. 3 is a top plan view thereof; and,
FIG. 4 is a perspective view thereof.
In the drawings, the portions shown by broken lines form no part of the claim.

1 Claim, 2 Drawing Sheets



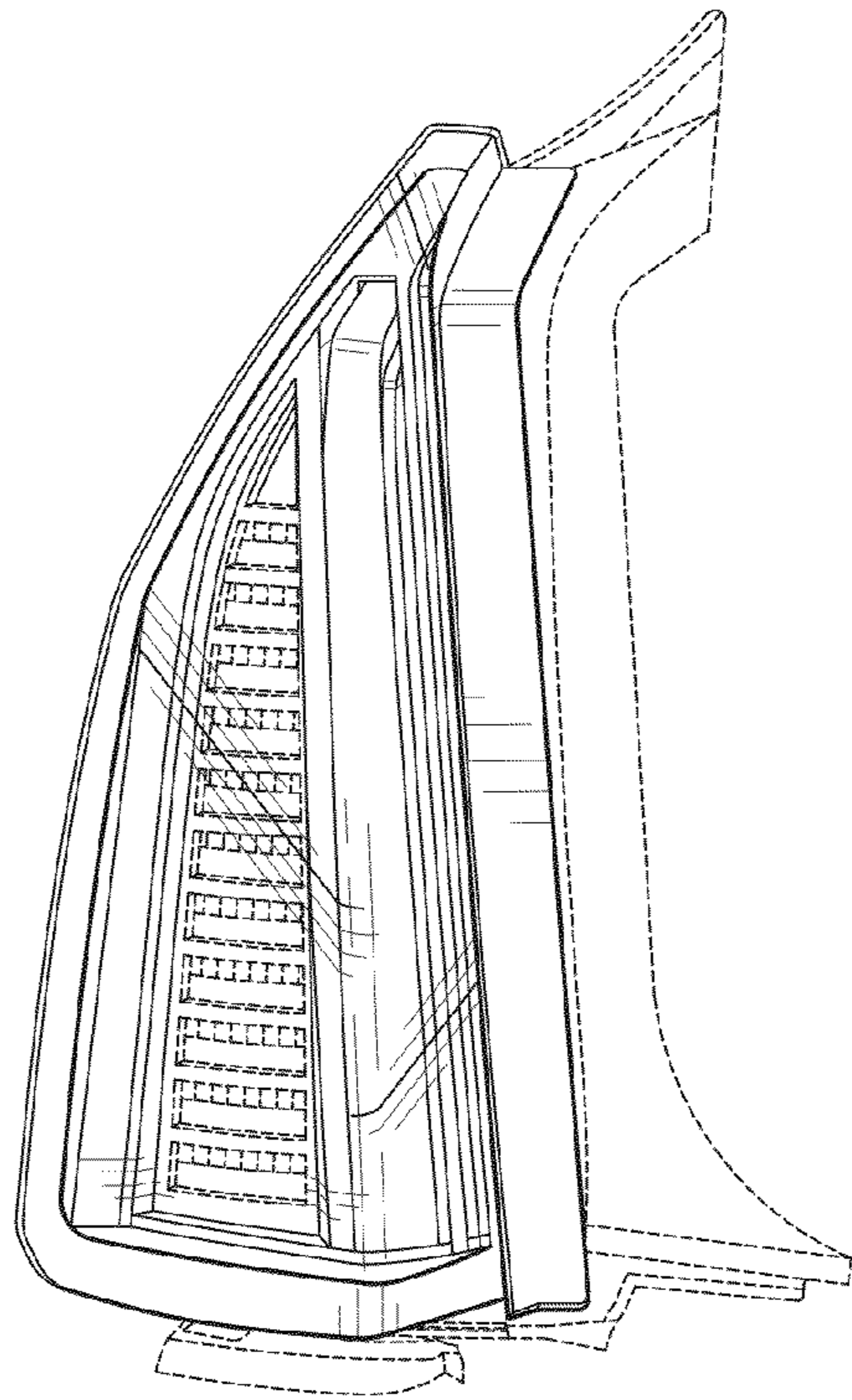


Fig-1

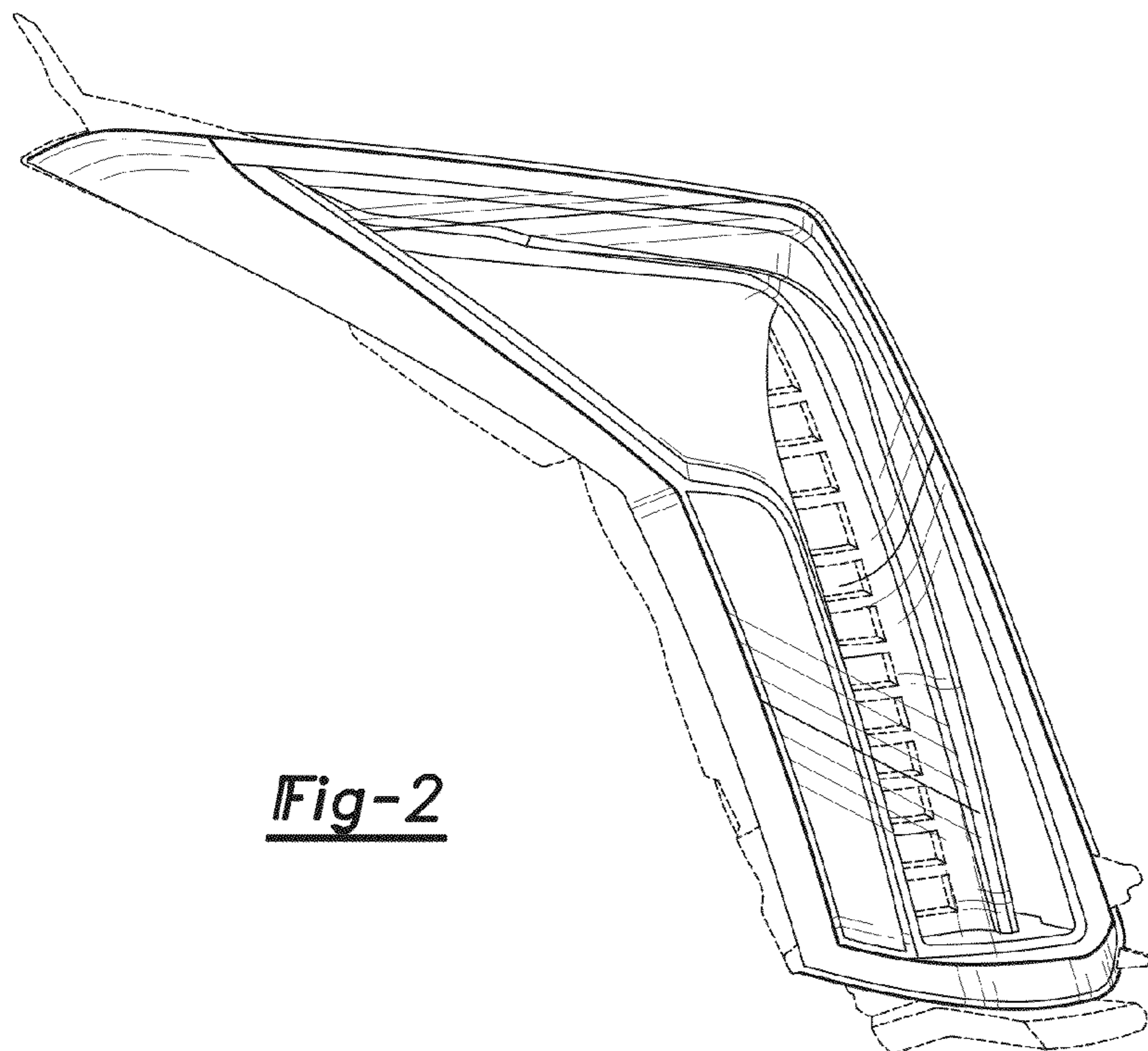


Fig-2

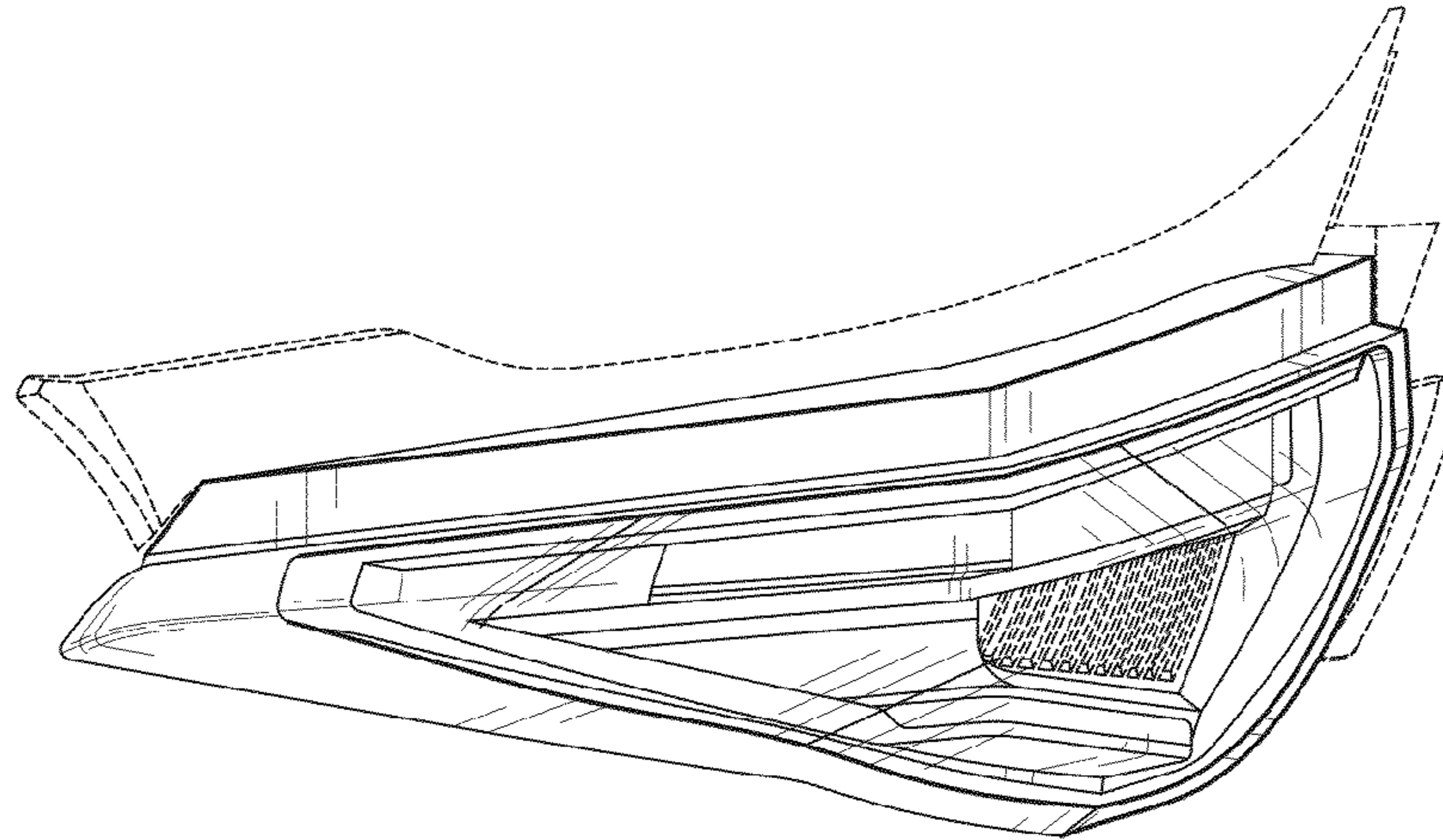


Fig-3

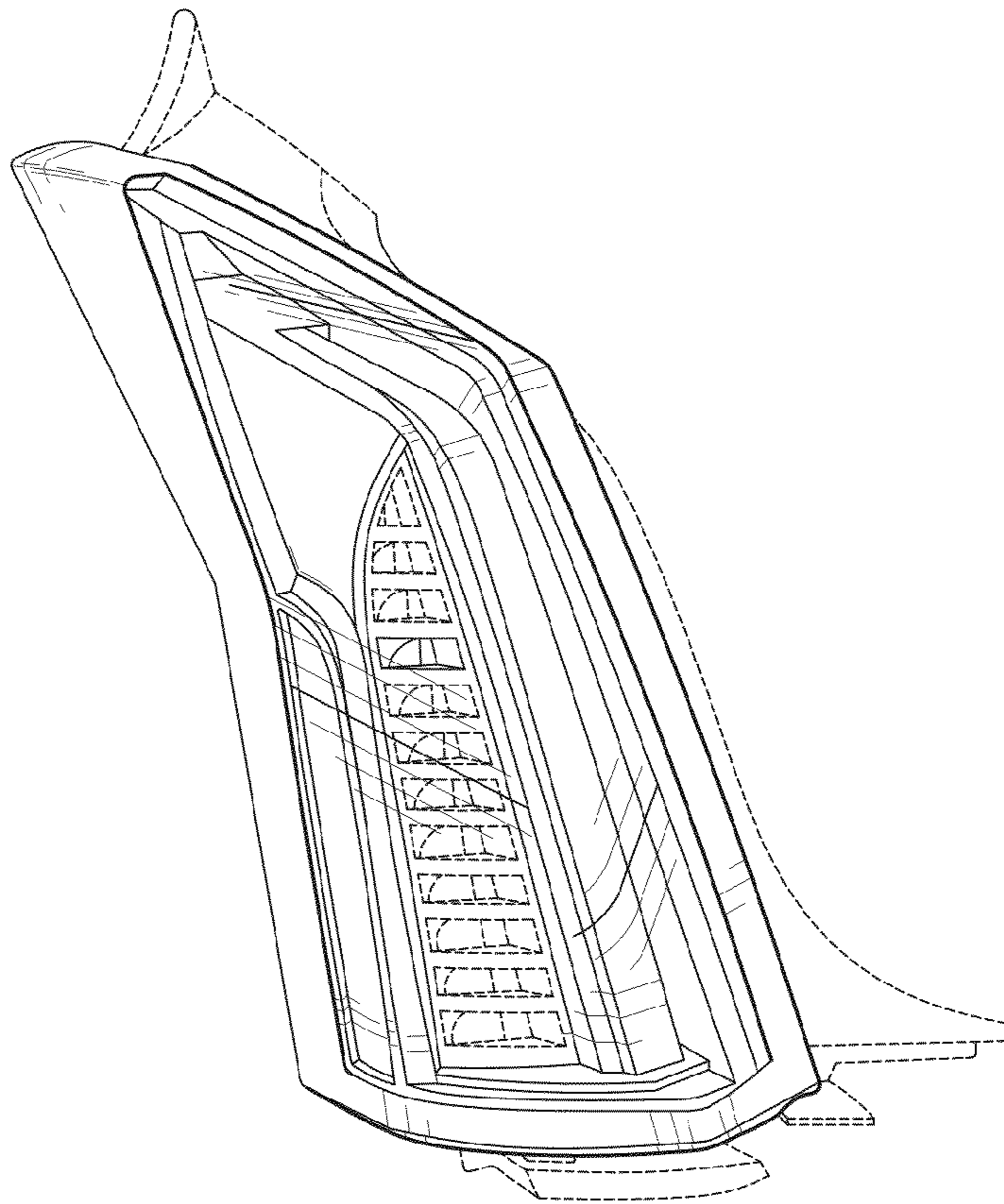


Fig-4