



US00D745717S

(12) **United States Design Patent**
Wu

(10) **Patent No.:** **US D745,717 S**

(45) **Date of Patent:** **** Dec. 15, 2015**

(54) **VEHICLE HEADLIGHT**

(71) Applicant: **COPLUS INC.**, Tainan (TW)

(72) Inventor: **Po-Hua Wu**, Tainan (TW)

(73) Assignee: **Coplus Inc.**, Tainan (TW)

(**) Term: **14 Years**

(21) Appl. No.: **29/496,134**

(22) Filed: **Jul. 9, 2014**

(30) **Foreign Application Priority Data**

Mar. 24, 2014 (TW) 103301634 U

(51) **LOC (10) Cl.** **26-06**

(52) **U.S. Cl.**
USPC **D26/28**

(58) **Field of Classification Search**
USPC D26/28-36; 362/459-468, 475-478,
362/485, 486, 487
CPC B60Q 1/02; B60Q 1/04
See application file for complete search history.

(56) **References Cited**

U.S. PATENT DOCUMENTS

D474,290 S *	5/2003	Sawai et al.	D26/28
D549,858 S *	8/2007	Pfeiffer	D26/28
D552,772 S *	10/2007	Davidson	D26/28
D586,010 S *	2/2009	Saracoglu	D26/28
D592,332 S *	5/2009	Hsu	D26/28
D592,336 S *	5/2009	Hsu	D26/28

* cited by examiner

Primary Examiner — Ian Simmons

Assistant Examiner — Harold Blackwell, II

(74) *Attorney, Agent, or Firm* — Christie, Parker & Hale, LLP

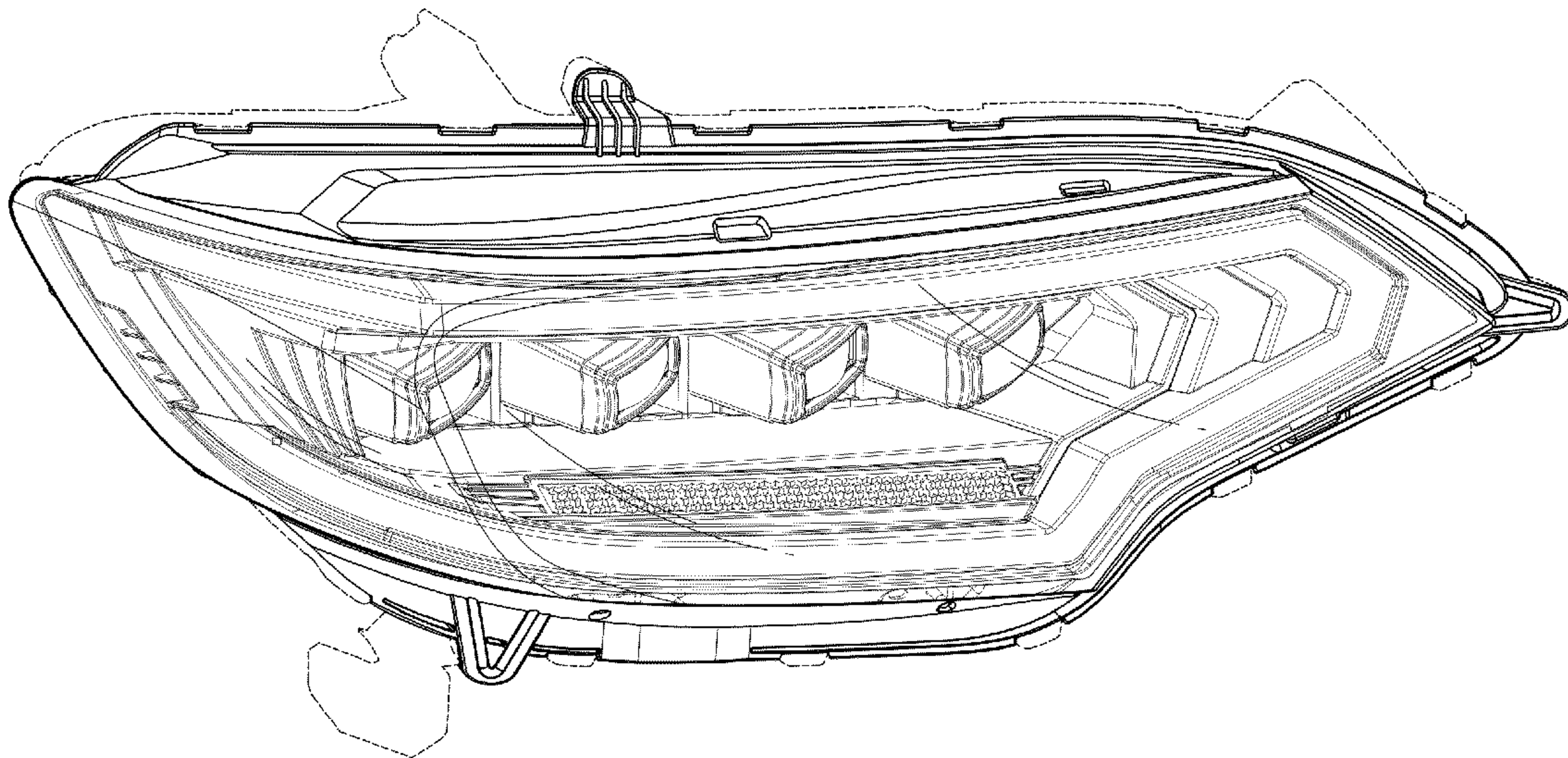
(57) **CLAIM**

The ornamental design for a vehicle headlight, as shown and described.

DESCRIPTION

FIG. 1 is a front perspective view of the vehicle headlight; FIG. 2 is a front elevation view thereof; FIG. 3 is a rear elevation view thereof; FIG. 4 is a left side elevation view thereof; FIG. 5 is a right side elevation view thereof; FIG. 6 is a top elevation view thereof; and, FIG. 7 is a bottom elevation view thereof. The broken lines in the drawings illustrate portions of the vehicle headlight which form no part of the claimed design.

1 Claim, 7 Drawing Sheets



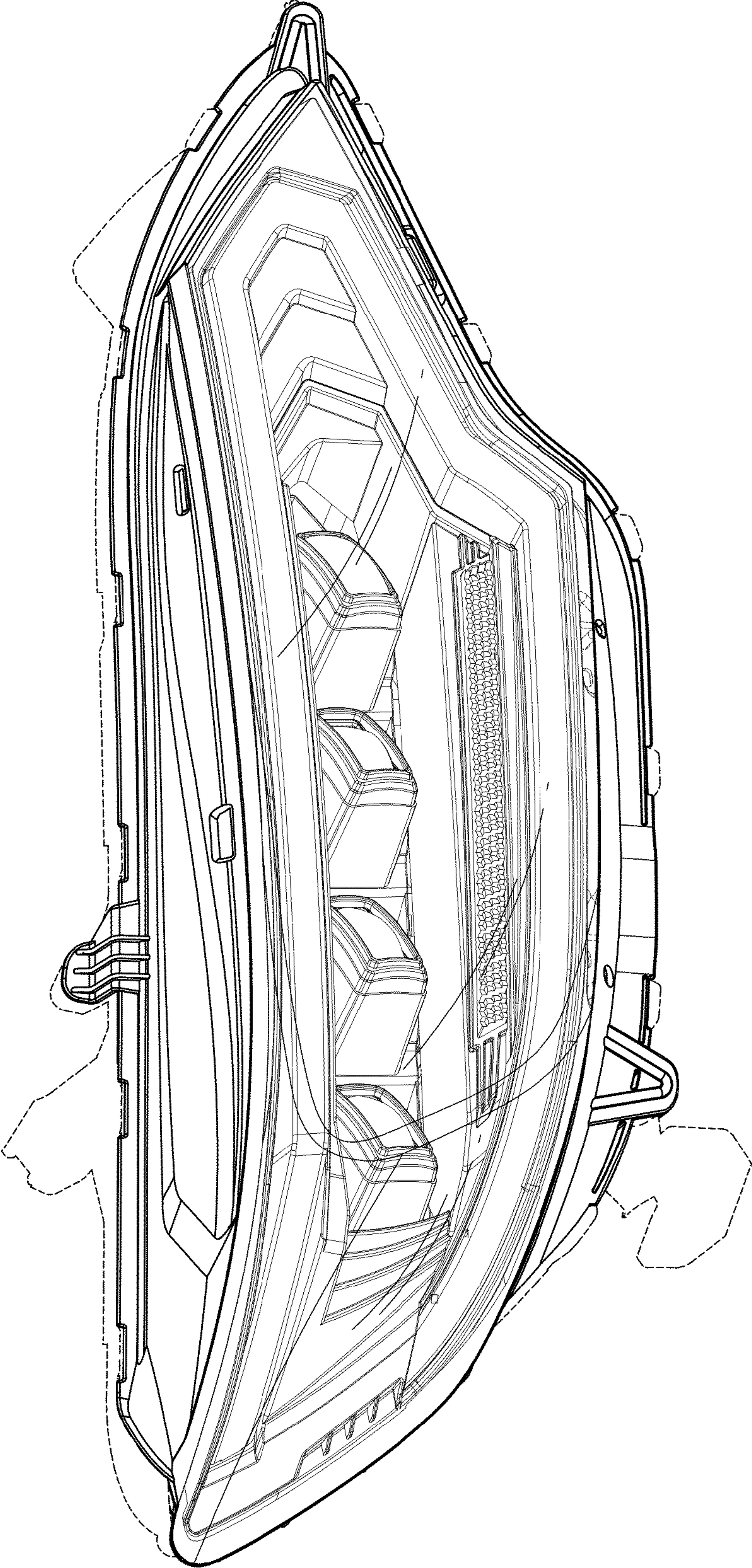


FIG. 1

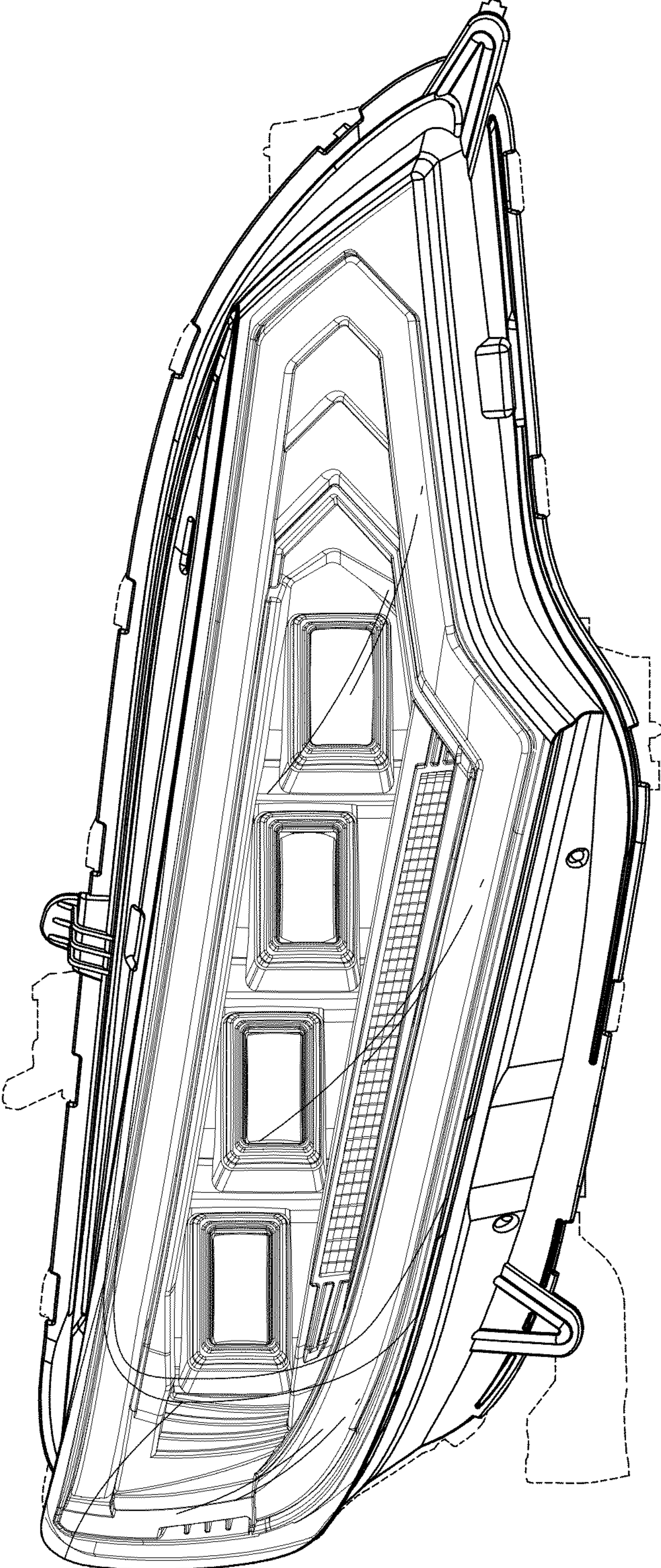


FIG. 2

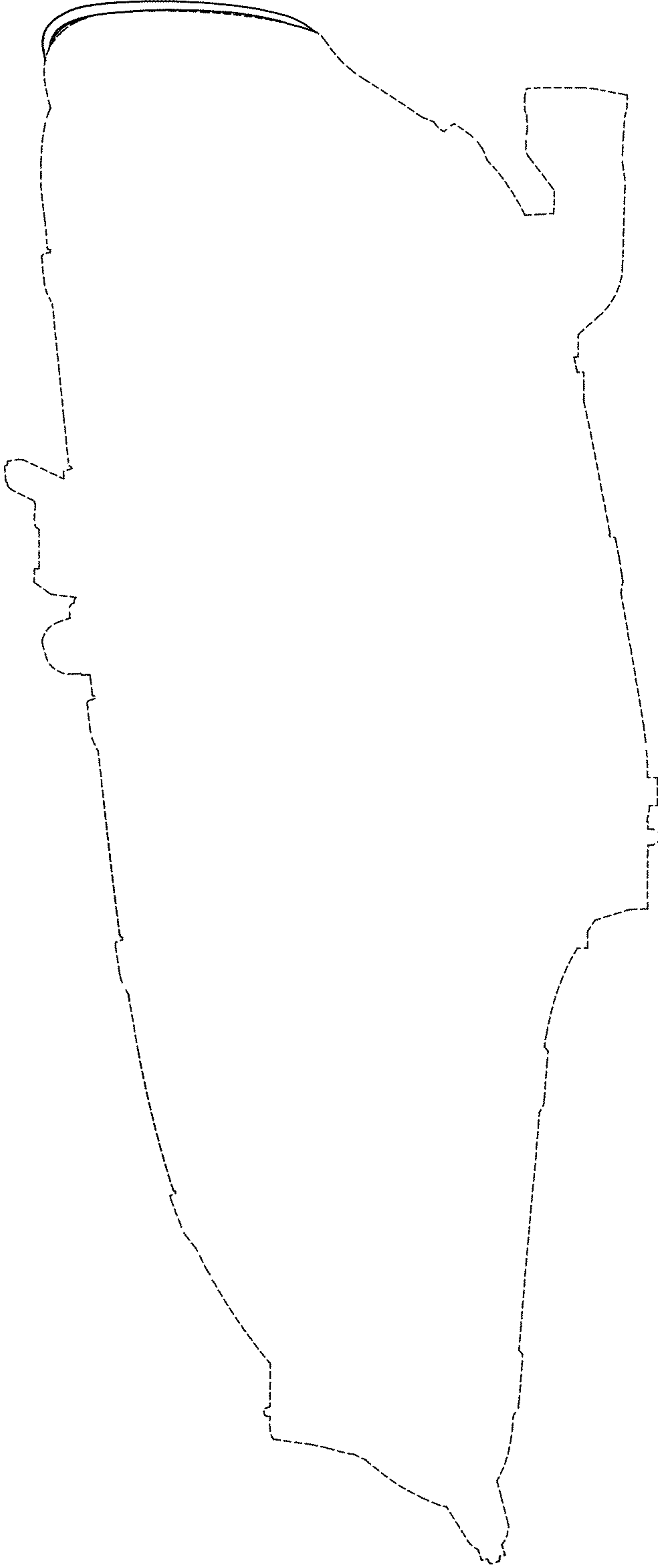


FIG. 3

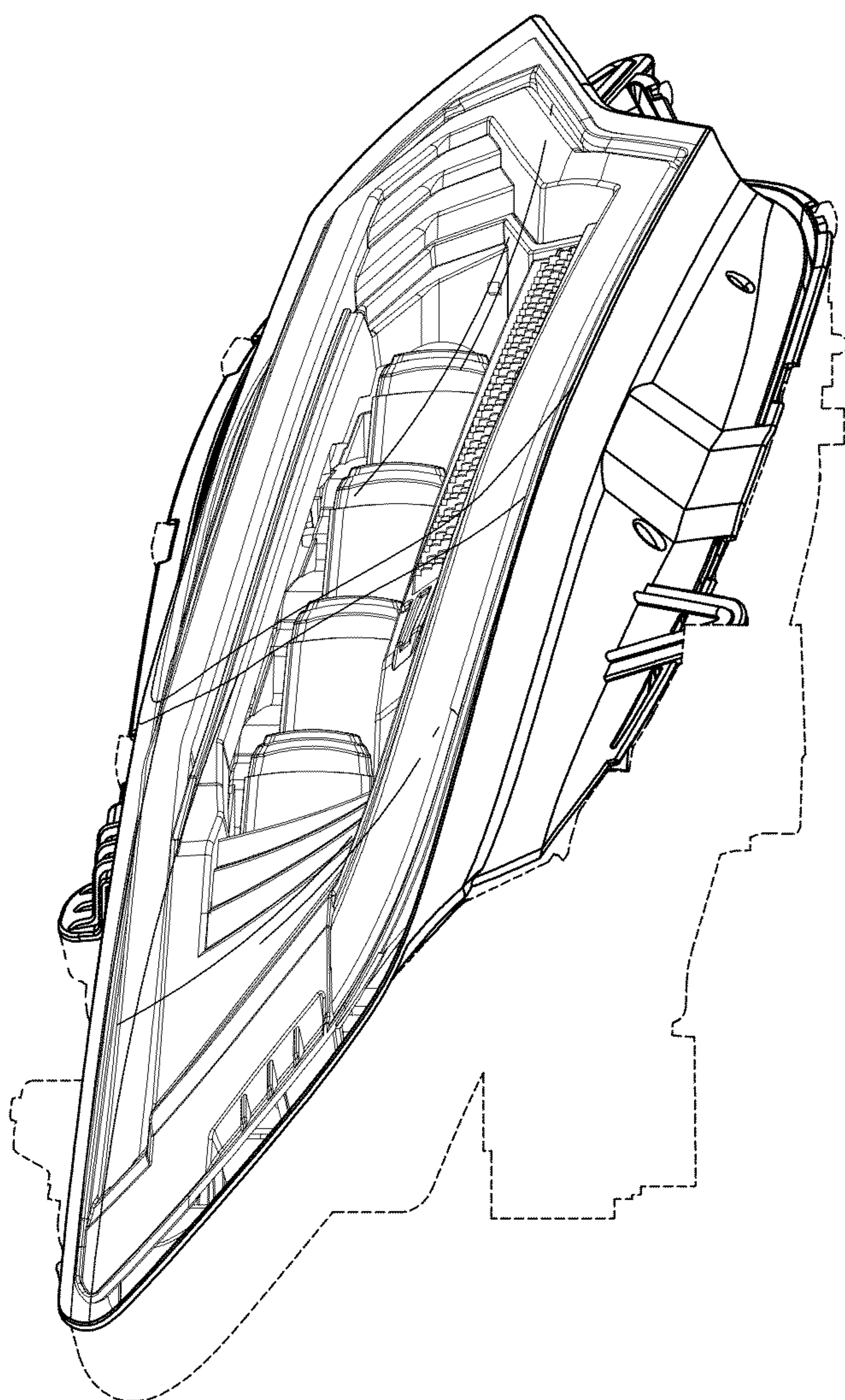


FIG. 4

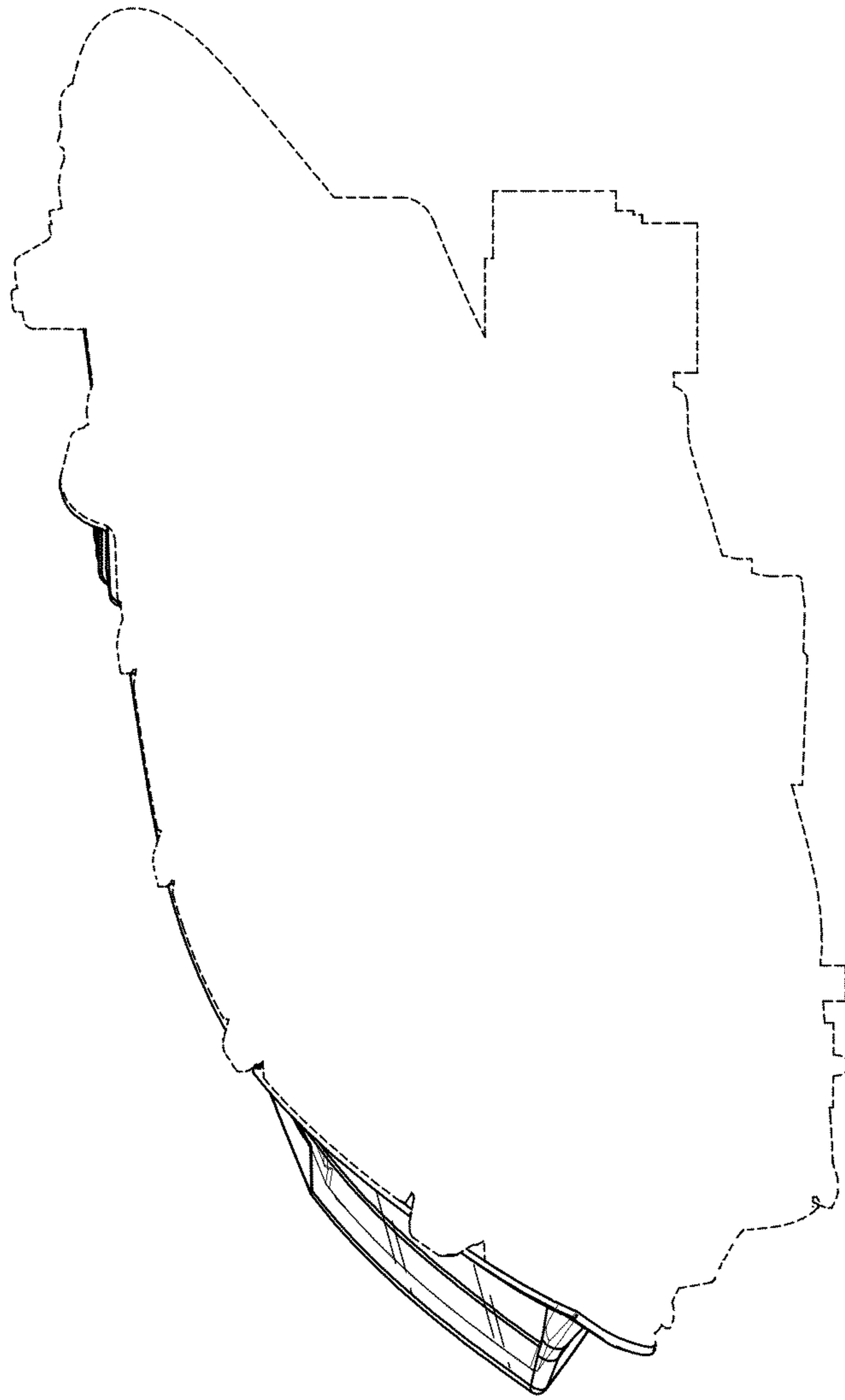


FIG. 5

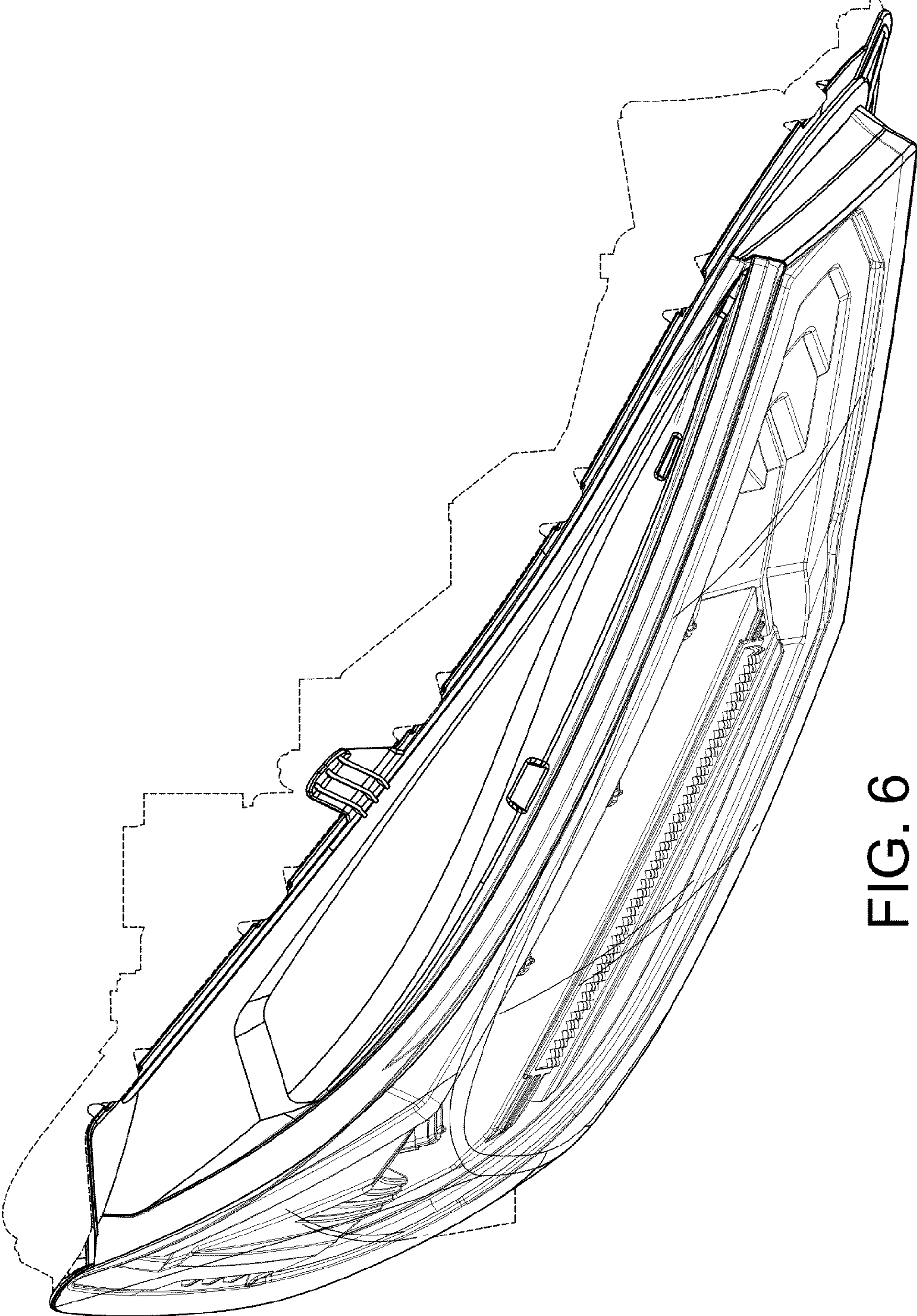


FIG. 6

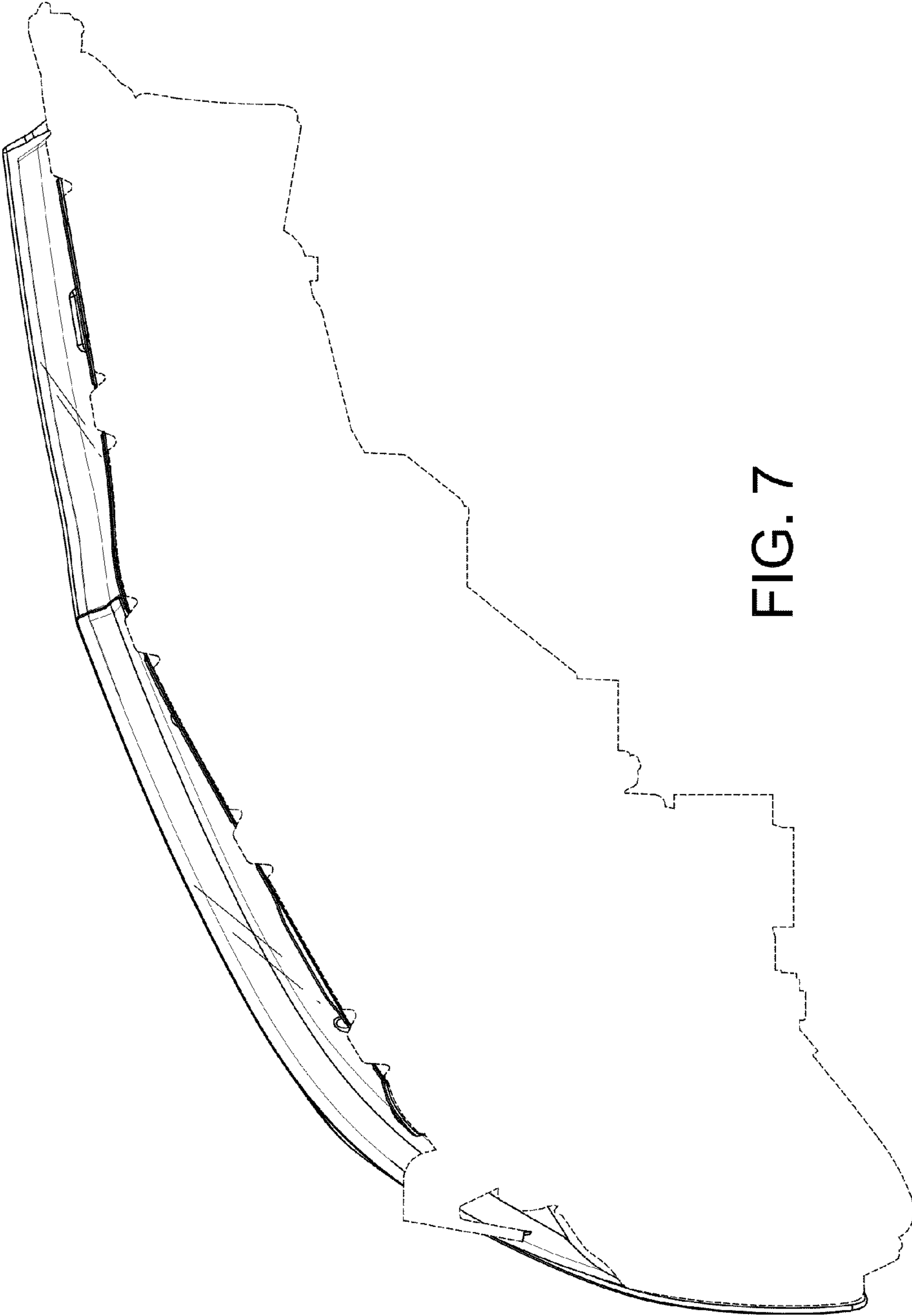


FIG. 7