



US00D745712S

(12) **United States Design Patent**  
**O'Donnell et al.**

(10) **Patent No.:** **US D745,712 S**

(45) **Date of Patent:** **\*\* Dec. 15, 2015**

(54) **VEHICLE HEAD LAMP**

(56) **References Cited**

(71) Applicant: **GM GLOBAL TECHNOLOGY OPERATIONS LLC**, Detroit, MI (US)

U.S. PATENT DOCUMENTS

(72) Inventors: **Kevin M. O'Donnell**, Beverly Hills, MI (US); **Junglim Huh**, Rochester Hills, MI (US)

D541,445 S \* 4/2007 Lin ..... D26/28  
D570,007 S \* 5/2008 Hsu ..... D26/28  
D703,847 S \* 4/2014 MacKay ..... D26/28  
D718,479 S \* 11/2014 Lai ..... D26/28

\* cited by examiner

(73) Assignee: **GM GLOBAL TECHNOLOGY OPERATIONS LLC**, Detroit, MI (US)

*Primary Examiner* — Cynthia Ramirez

*Assistant Examiner* — Llorellys Martinez-Rivera

(\*\*) Term: **14 Years**

(74) *Attorney, Agent, or Firm* — Mikki D. Murray; Parks Wood LLC

(21) Appl. No.: **29/475,118**

(57) **CLAIM**

The ornamental design for a vehicle head lamp, as shown and described.

(22) Filed: **Nov. 29, 2013**

**DESCRIPTION**

(51) **LOC (10) Cl.** ..... **26-06**

(52) **U.S. Cl.**  
USPC ..... **D26/28**

(58) **Field of Classification Search**  
USPC ..... D26/28-36; 362/459-476, 485-487,  
362/543-549  
CPC ..... F21S 48/00; F21S 48/10; F21S 48/1195;  
F21S 8/10

FIG. 1 is perspective view of a vehicle head lamp showing the new design;

FIG. 2 is a side view, thereof;

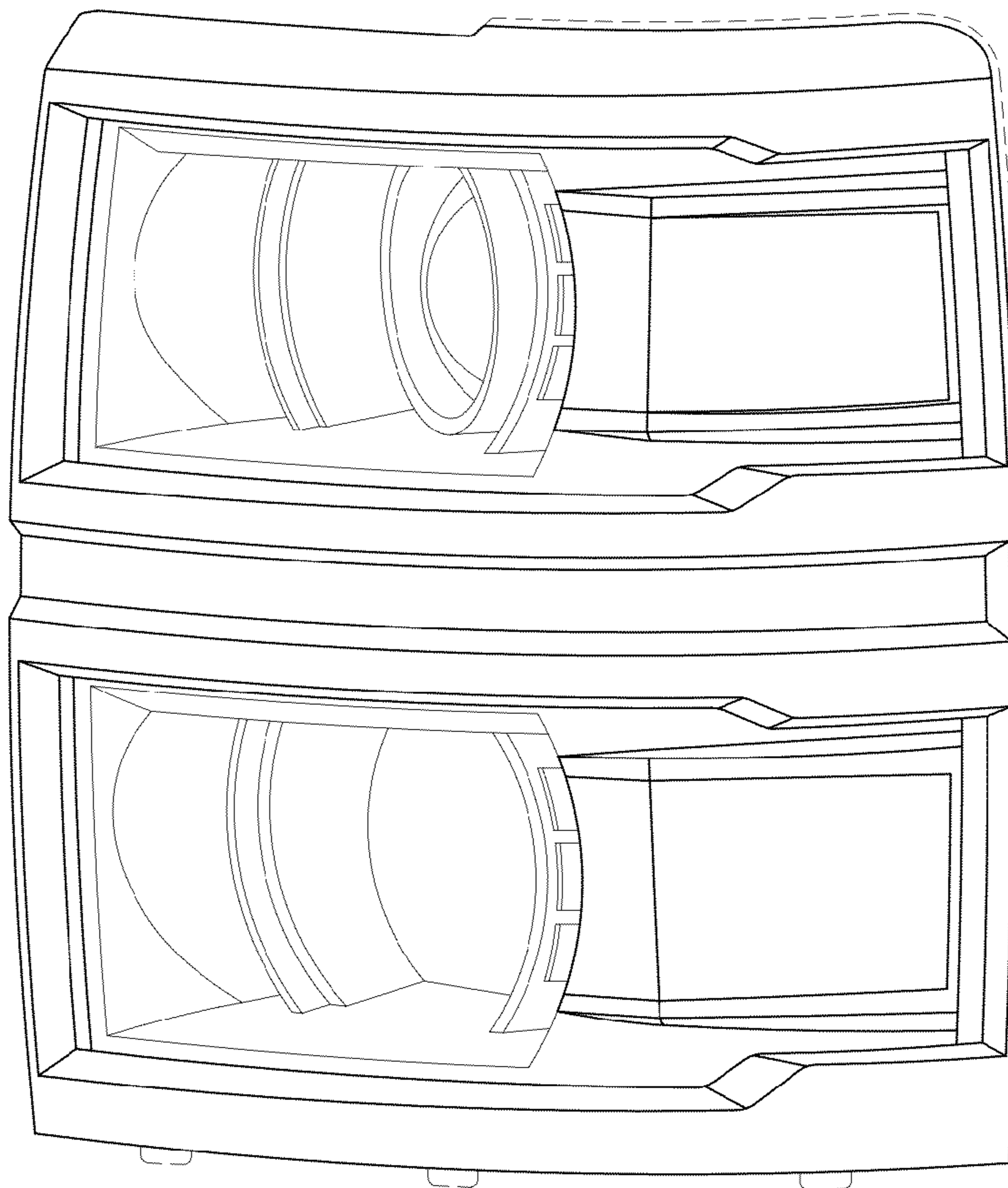
FIG. 3 is a front view, thereof; and,

FIG. 4 is a top plan view, thereof.

The broken line portions of FIGS. 1-4 illustrate environmental subject matter only and form no part of the design.

See application file for complete search history.

**1 Claim, 2 Drawing Sheets**



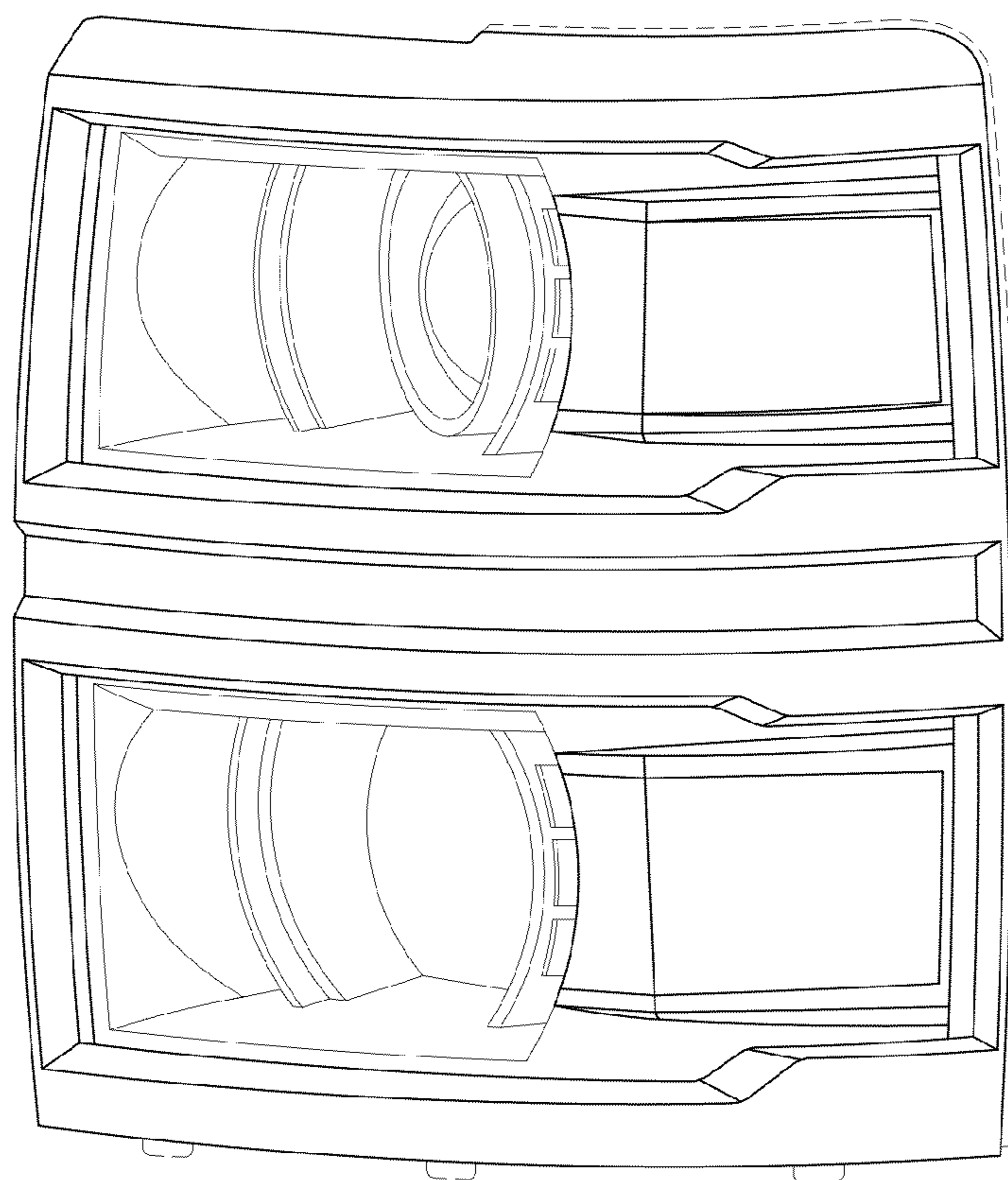


Fig-1

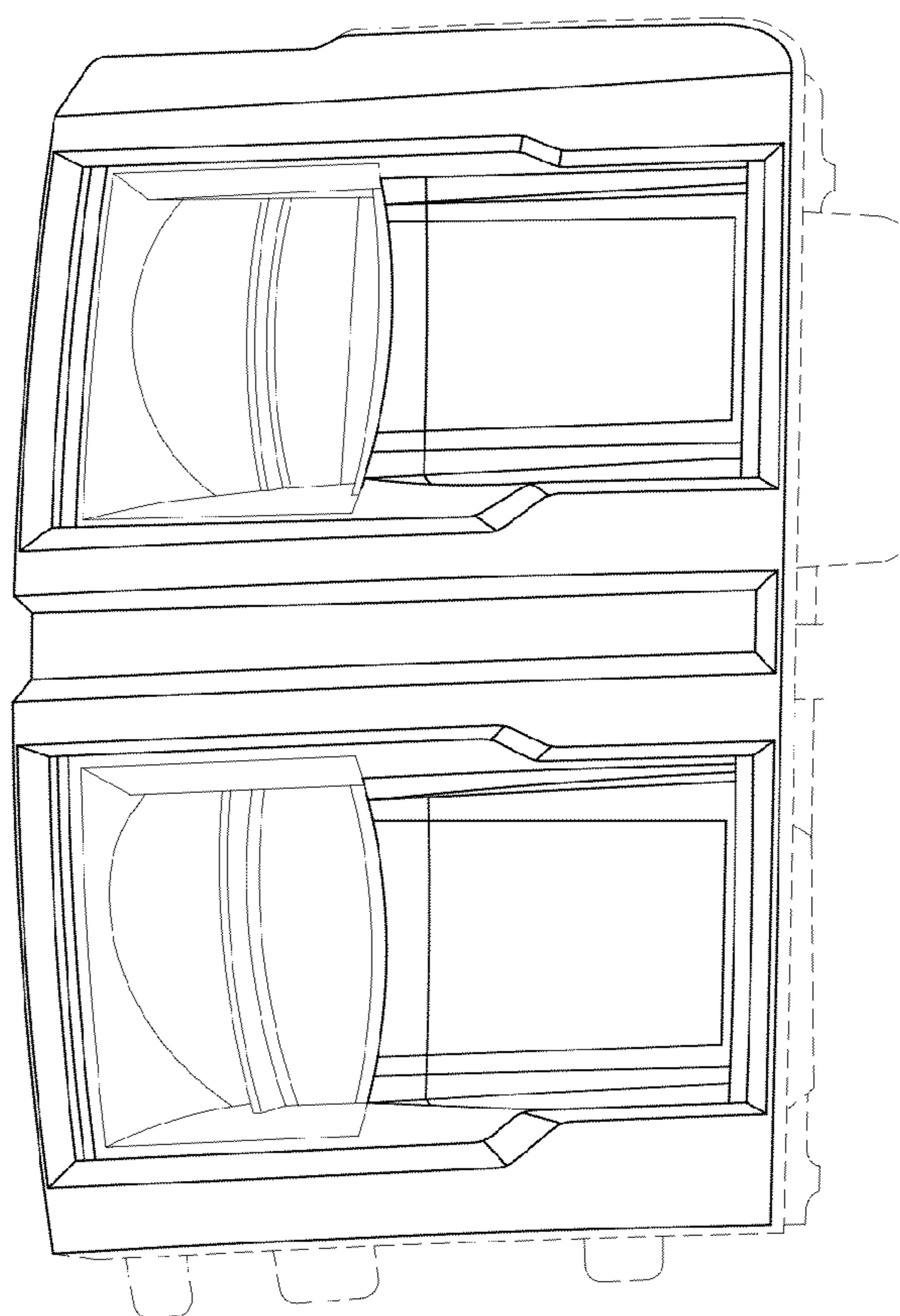


Fig-2

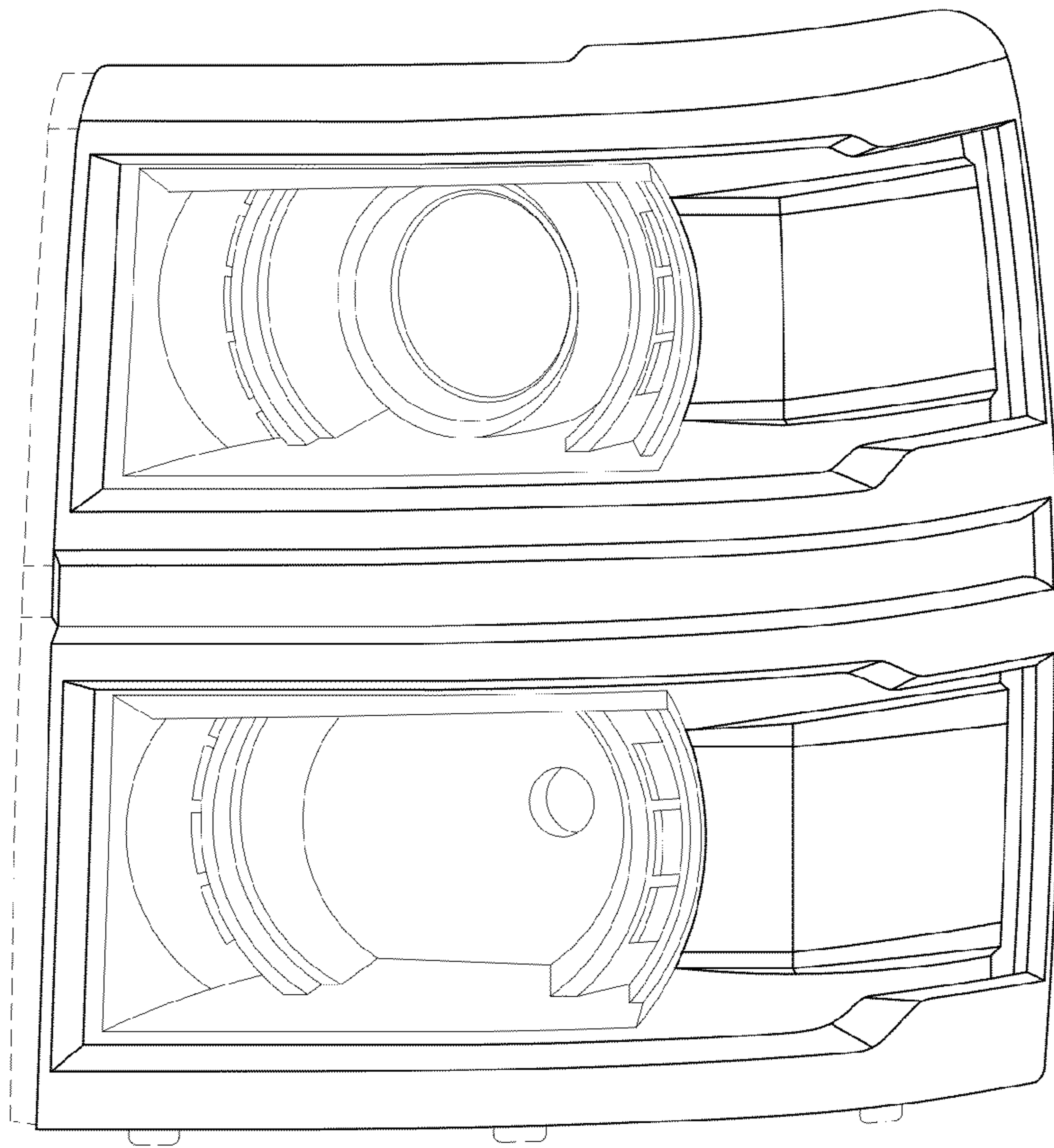


Fig-3

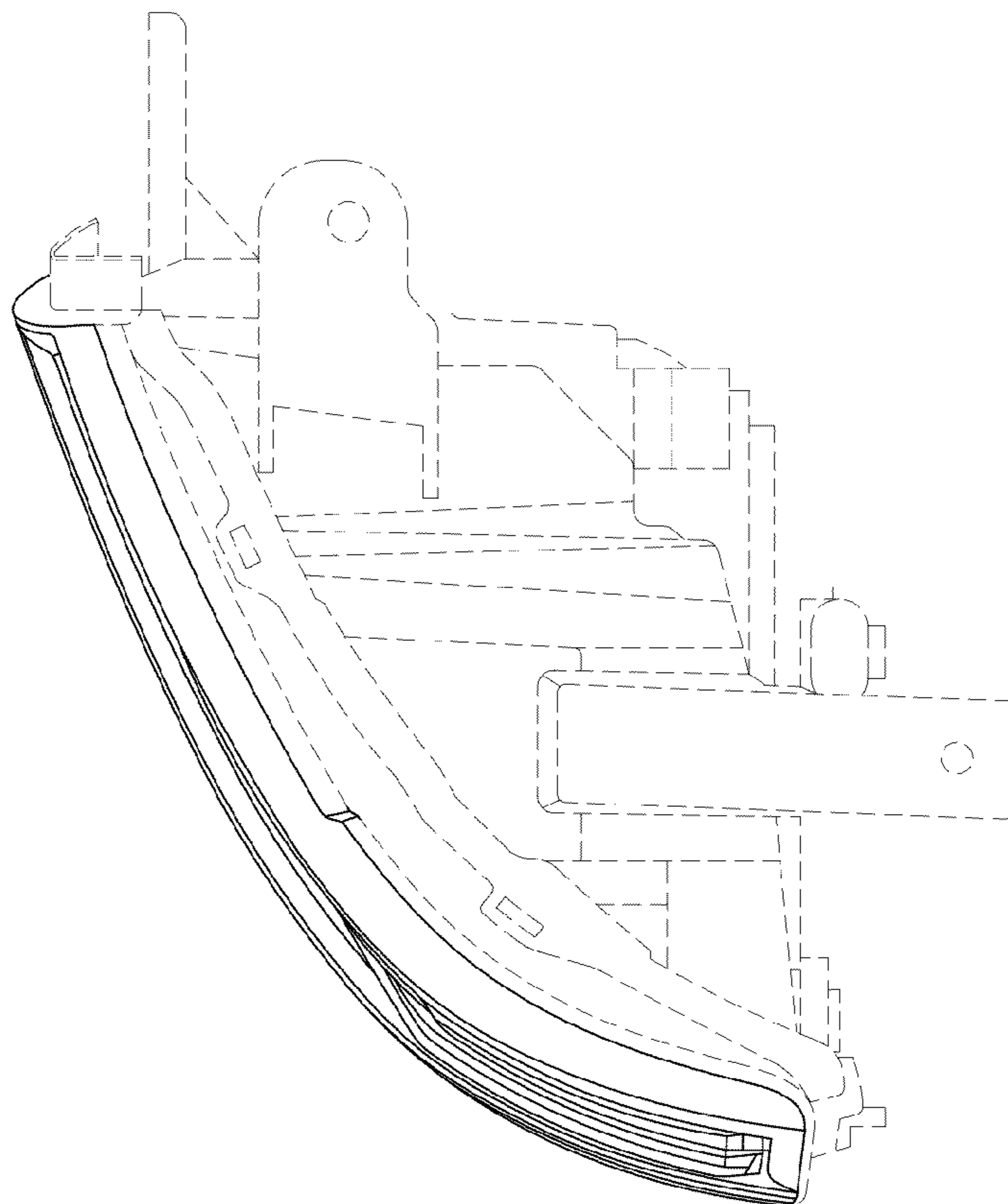


Fig-4