



US00D745710S

(12) **United States Design Patent**  
**Katsaros**

(10) **Patent No.:** **US D745,710 S**

(45) **Date of Patent:** **\*\* Dec. 15, 2015**

(54) **SOLAR LIGHT BULB**

(71) Applicant: **Stephen Basil Katsaros**, Denver, CO  
(US)

(72) Inventor: **Stephen Basil Katsaros**, Denver, CO  
(US)

(\*\*) Term: **14 Years**

(21) Appl. No.: **29/495,243**

(22) Filed: **Jun. 27, 2014**

(51) **LOC (10) Cl.** ..... **26-04**

(52) **U.S. Cl.**  
USPC ..... **D26/2**

(58) **Field of Classification Search**  
USPC ..... D26/1-4; 313/313, 315, 316, 317, 318,  
313/493; 315/52, 53, 56, 57, 58  
See application file for complete search history.

(56) **References Cited**

**U.S. PATENT DOCUMENTS**

D531,741 S \* 11/2006 Takahashi ..... D26/2  
D534,665 S \* 1/2007 Egawa et al. .... D26/2

D535,038 S \* 1/2007 Egawa et al. .... D26/2  
D538,953 S \* 3/2007 Mama ..... D26/2  
D617,915 S \* 6/2010 Wada et al. .... D26/2  
D623,778 S \* 9/2010 Moon et al. .... D26/2  
D628,720 S \* 12/2010 Wang ..... D26/2  
D629,129 S \* 12/2010 Lin et al. .... D26/2  
D633,226 S \* 2/2011 Katsaros ..... D26/2  
D635,281 S \* 3/2011 Murakami et al. .... D26/2  
D647,223 S \* 10/2011 Katsaros ..... D26/2

\* cited by examiner

*Primary Examiner* — Marcus Jackson

(57) **CLAIM**

The ornamental design for a solar light bulb, as shown.

**DESCRIPTION**

FIG. 1 is perspective top view of a solar light bulb showing my new design;  
FIG. 2 is a front elevation view thereof;  
FIG. 3 is a left elevation view thereof;  
FIG. 4 is a right elevation view thereof;  
FIG. 5 is a bottom plan view thereof;  
FIG. 6 is a back elevation view thereof; and,  
FIG. 7 is a top plan view thereof.

**1 Claim, 3 Drawing Sheets**





FIG. 1

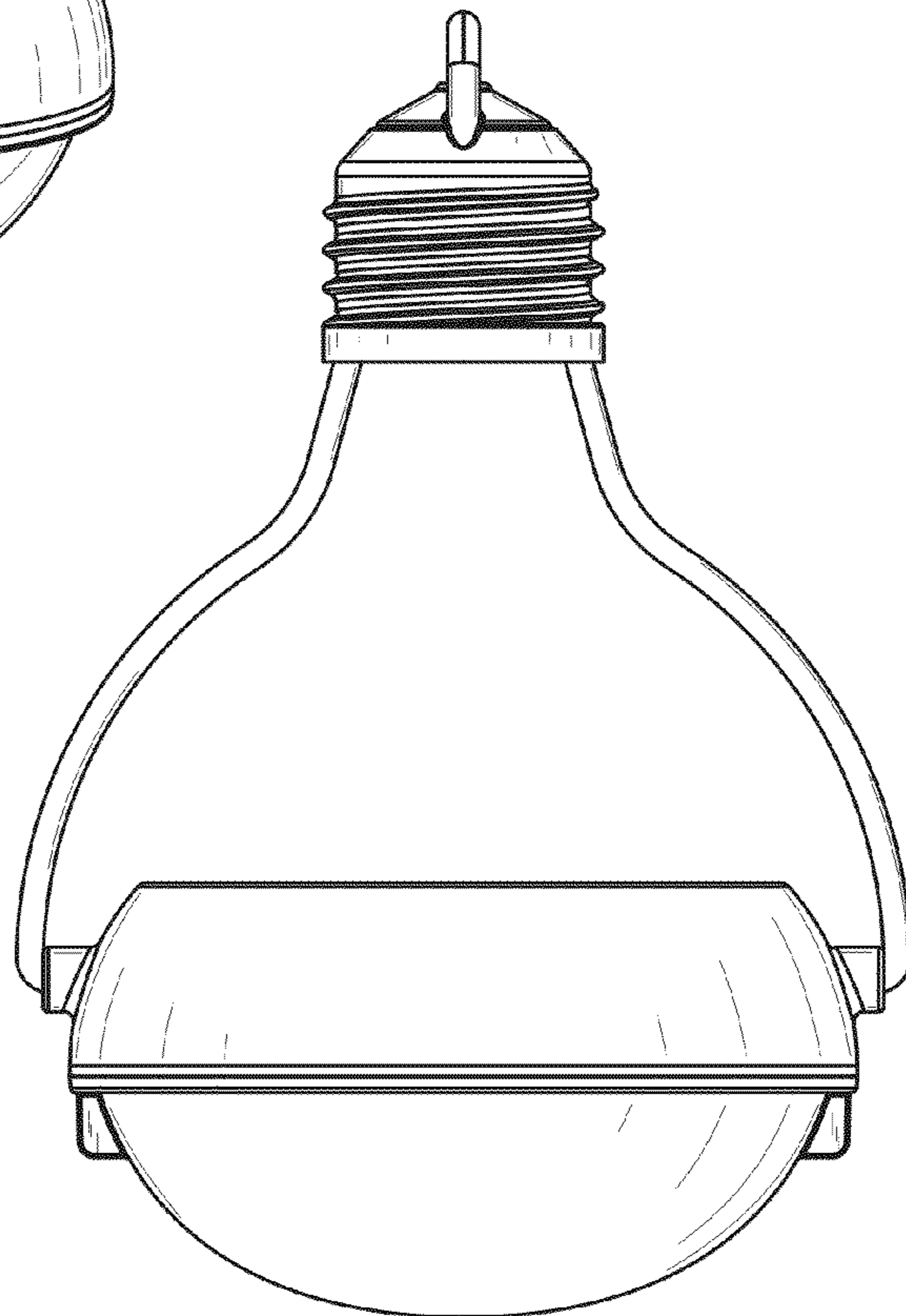


FIG. 2

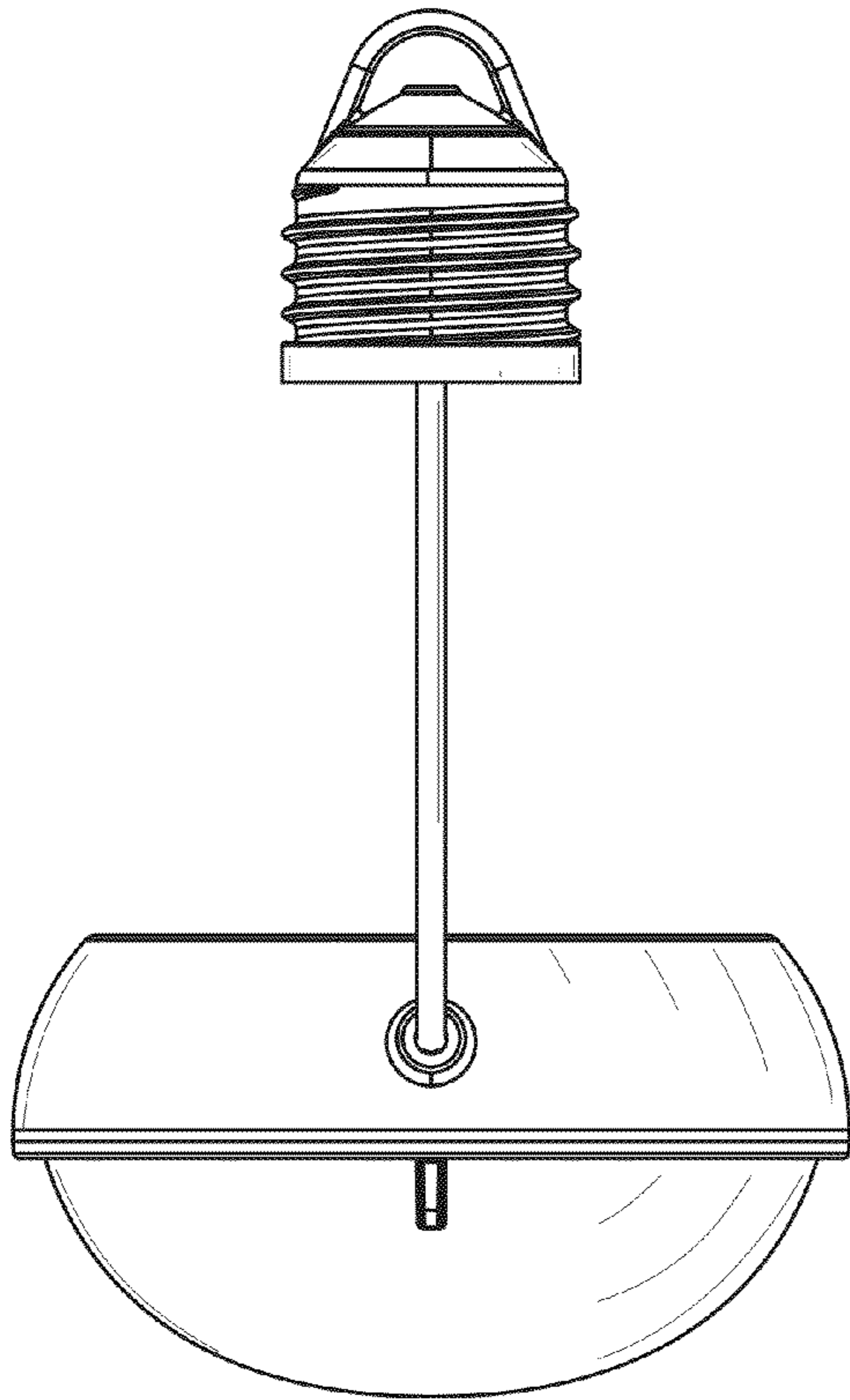


FIG. 3

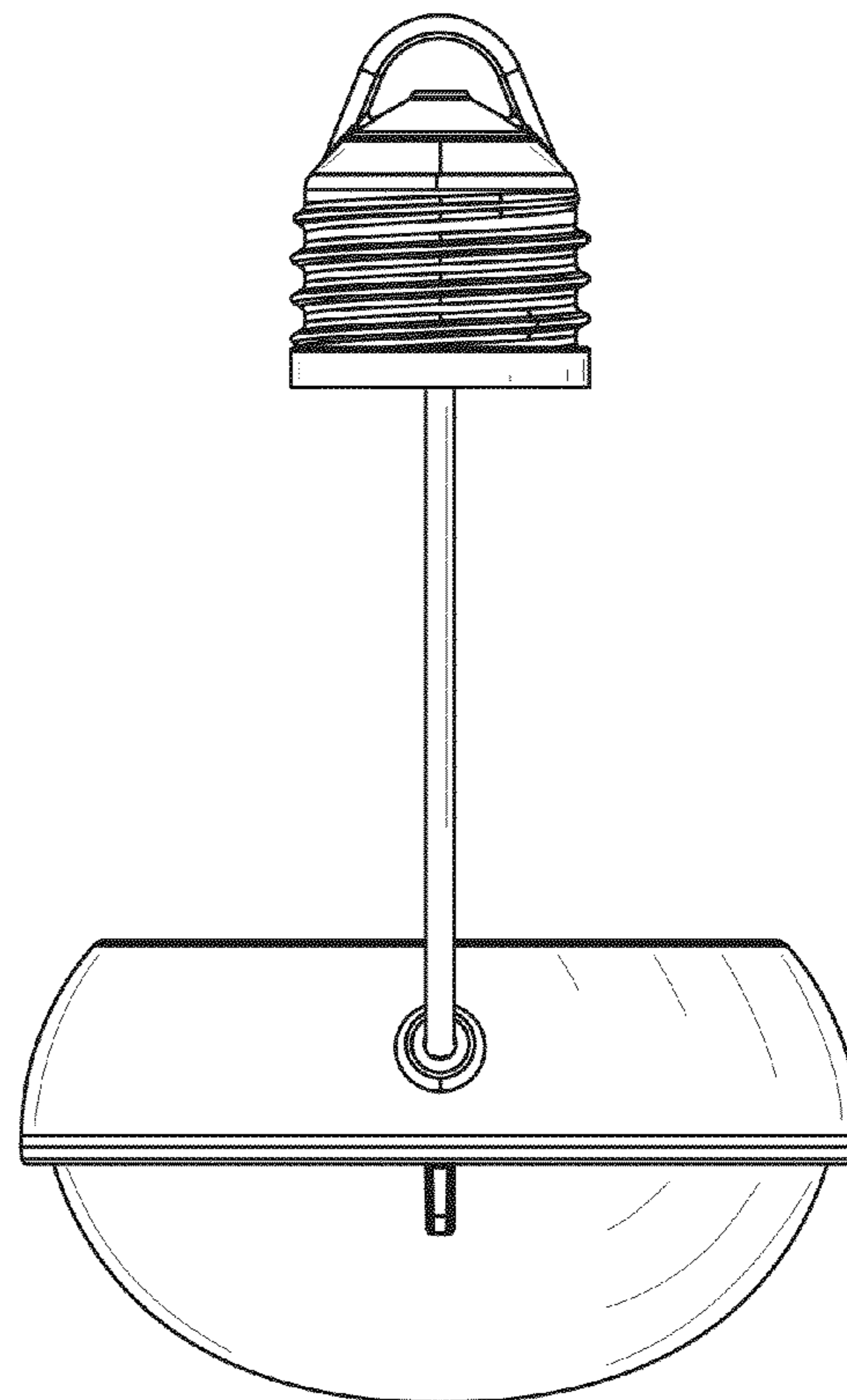


FIG. 4

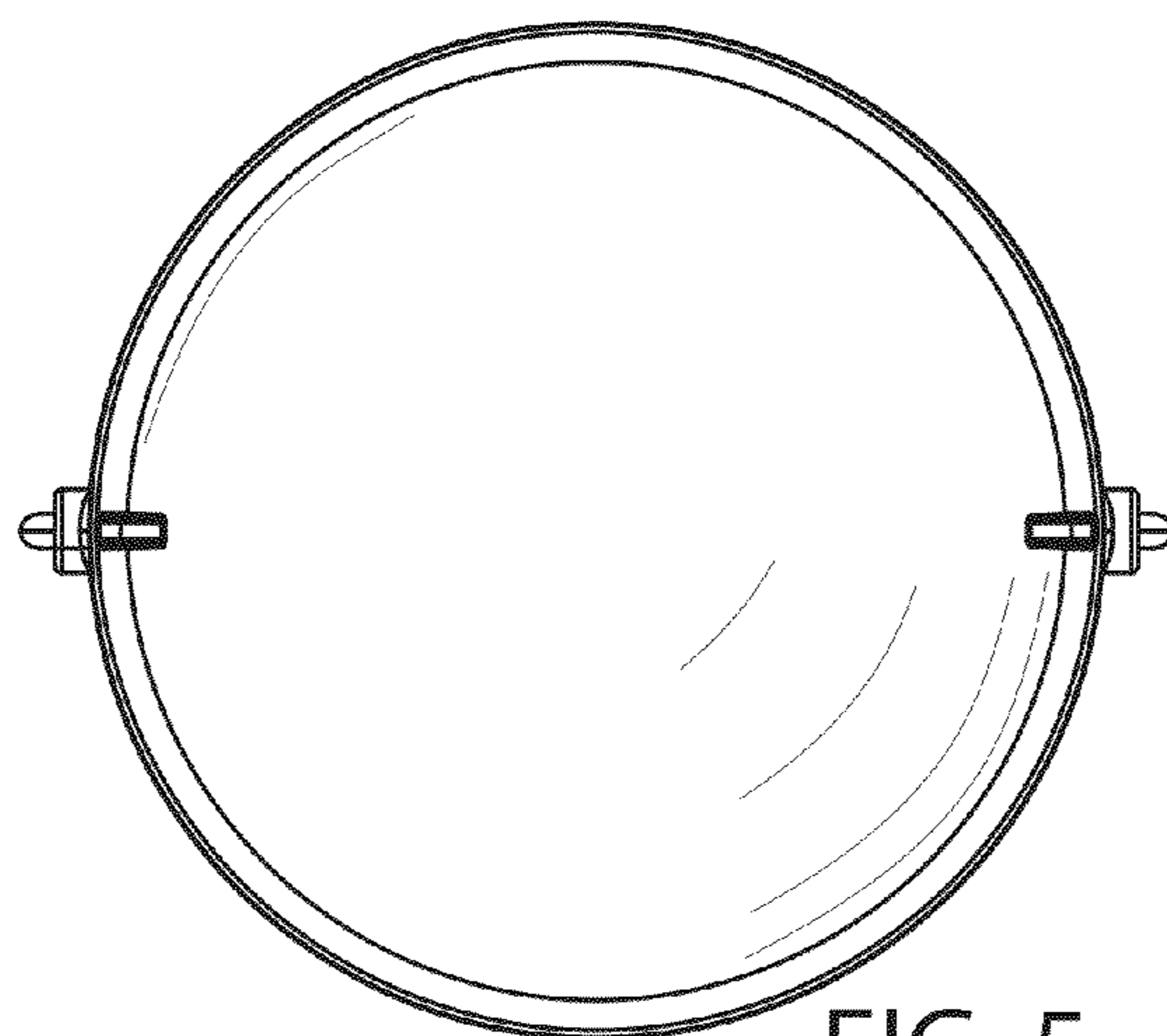


FIG. 5

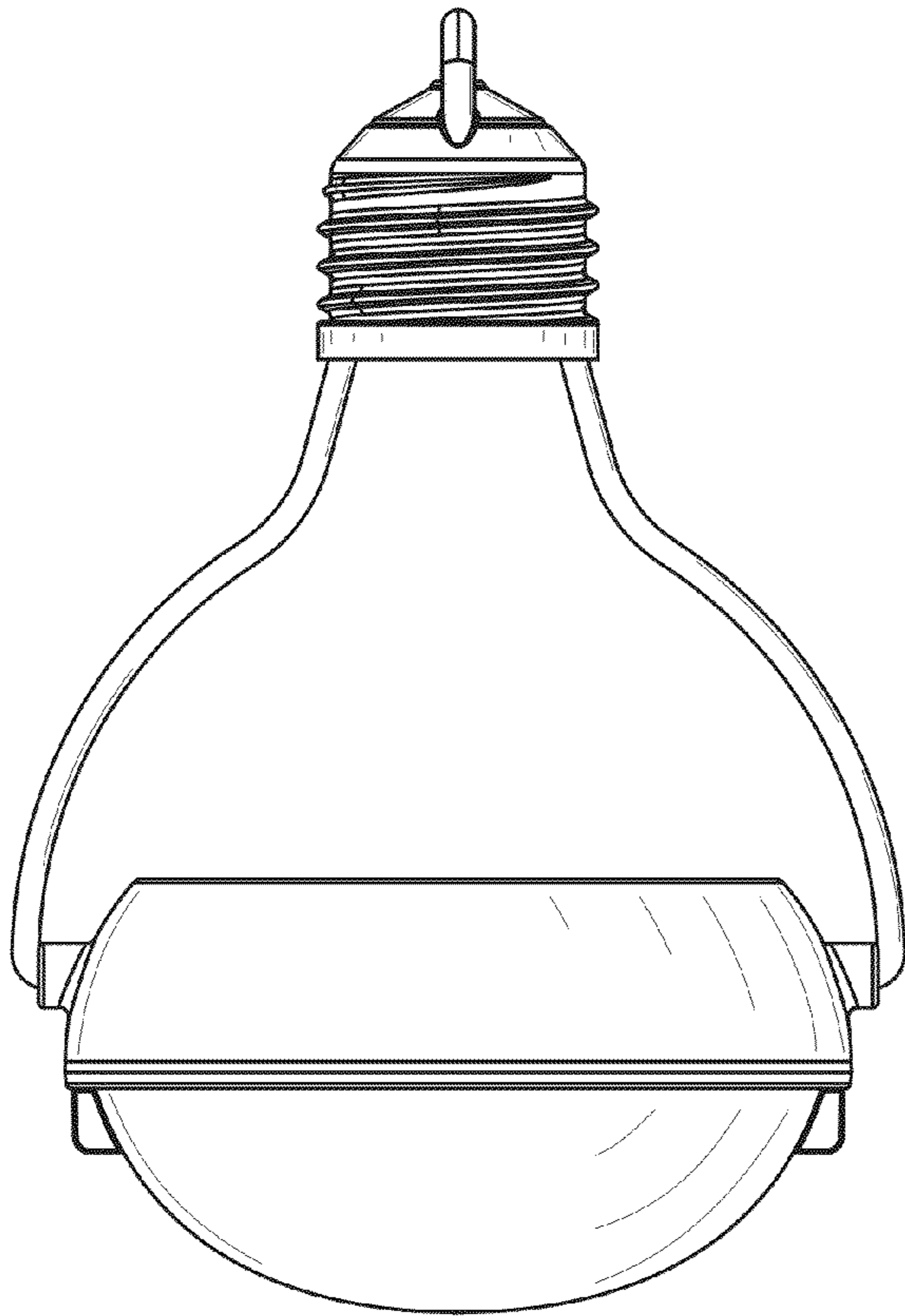


FIG. 6

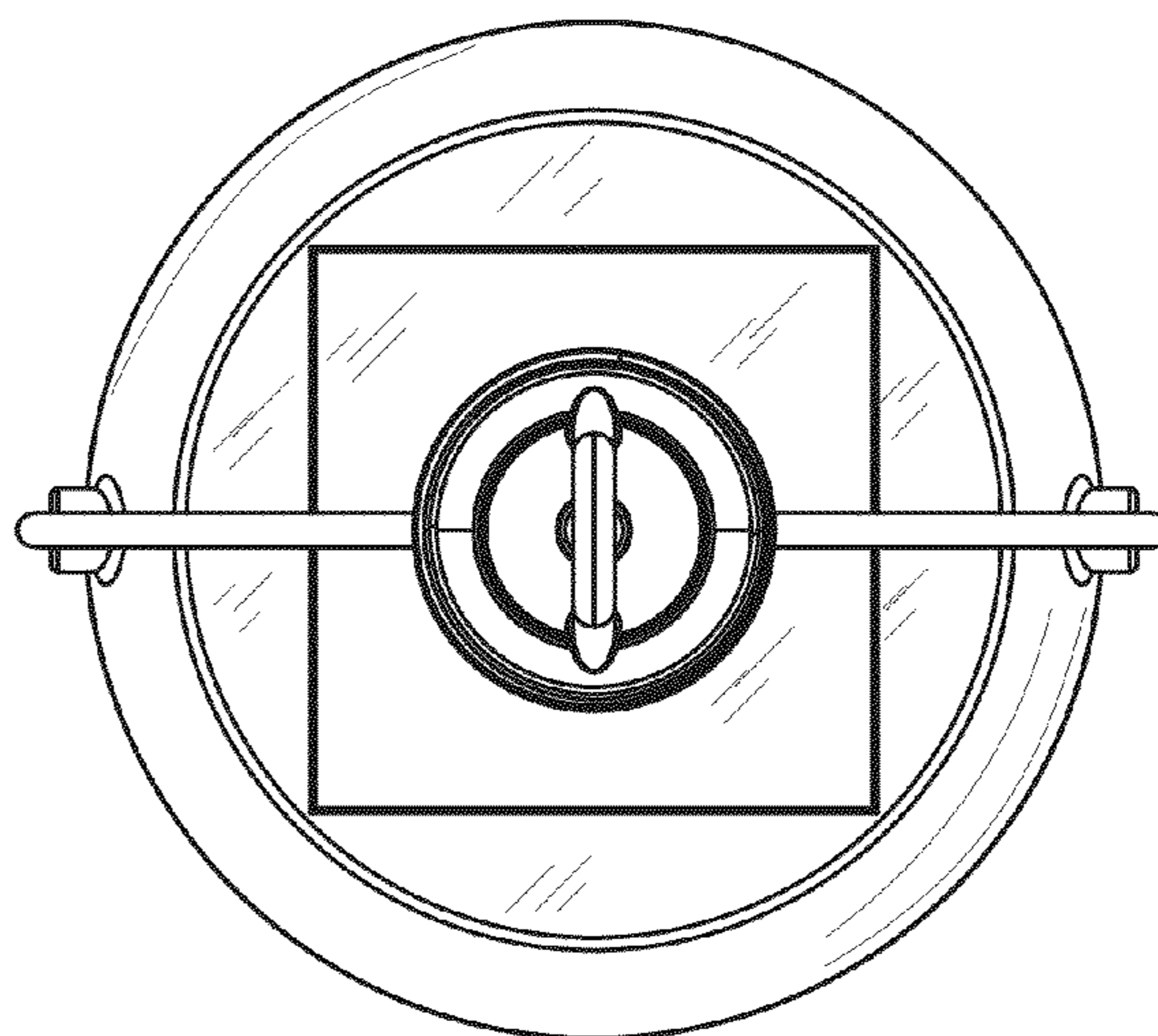


FIG. 7