



US00D745708S

(12) **United States Design Patent**  
**Carroll et al.**

(10) **Patent No.:** **US D745,708 S**  
(45) **Date of Patent:** **\*\* Dec. 15, 2015**

- (54) **LED LIGHT BULB**
- (71) Applicant: **Forever Bulb, LLC**, Grantsburg, WI (US)
- (72) Inventors: **David W. Carroll**, Grantsburg, WI (US); **Wendell Carroll**, Minneapolis, MN (US)
- (73) Assignee: **Forever Bulb, LLC**, Grantsburg, WI (US)

- D480,486 S 10/2003 Kakuno et al.
- 6,739,734 B1 5/2004 Hulgan
- D494,688 S 8/2004 Van de Ven et al.
- 7,086,756 B2 8/2006 Maxik
- D529,202 S 9/2006 Nagai et al.
- D531,741 S 11/2006 Takahashi
- D534,665 S 1/2007 Egawa et al.
- D538,953 S 3/2007 Mama
- 7,217,956 B2 5/2007 Daniels et al.
- D548,369 S 8/2007 Bembridge
- 7,259,030 B2 8/2007 Daniels et al.
- D553,267 S 10/2007 Yuen

(Continued)

(\*\*) Term: **14 Years**

**FOREIGN PATENT DOCUMENTS**

(21) Appl. No.: **29/484,585**

- DE 102007056874 5/2009
- JP 2005310561 11/2005

(22) Filed: **Mar. 11, 2014**

(Continued)

(51) **LOC (10) Cl.** ..... **26-04**

(52) **U.S. Cl.**  
USPC ..... **D26/2**

(58) **Field of Classification Search**  
USPC ..... D26/1-4; 313/313, 315, 316, 317, 318, 313/493; 315/52, 53, 56, 57, 58; 362/235, 362/294, 294.02, 368, 249.05, 249.14  
CPC ..... F21K 9/00; F21K 9/135; F21K 9/1375; F21K 9/13

See application file for complete search history.

*Primary Examiner* — Ian Simmons  
*Assistant Examiner* — Harold Blackwell, II  
(74) *Attorney, Agent, or Firm* — Dicke, Billig & Czaja, PLLC

(57) **CLAIM**  
The ornamental design for a LED light bulb, as shown and described.

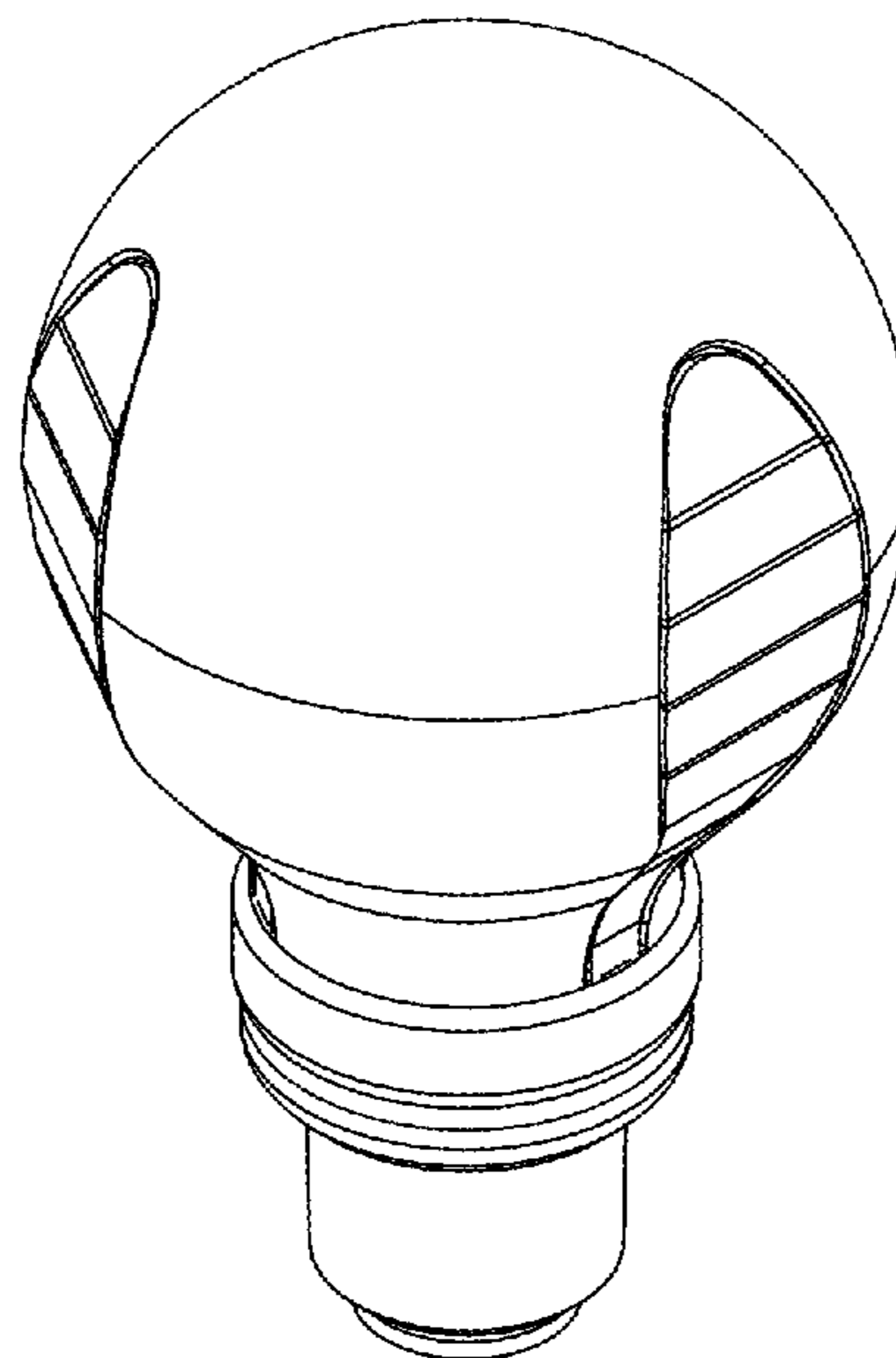
**DESCRIPTION**

(56) **References Cited**  
U.S. PATENT DOCUMENTS

- 5,162,696 A 11/1992 Goodrich
- 5,806,965 A 9/1998 Deese
- 6,220,722 B1 4/2001 Begemann
- 6,343,871 B1 2/2002 Yu
- 6,367,949 B1 4/2002 Pederson
- 6,462,475 B1 10/2002 Lee
- D471,651 S 3/2003 Bobel
- D479,886 S 9/2003 Kakuno et al.

FIG. 1 is a front, top perspective view of the LED light bulb the present design;  
FIG. 2 is a front plan view of the LED light bulb of FIG. 1;  
FIG. 3 is a back plan view of the LED light bulb of FIG. 1;  
FIG. 4 is a left side view of the LED light bulb of FIG. 1;  
FIG. 5 is a right side view of the LED light bulb of FIG. 1;  
FIG. 6 is a top plan view of the LED light bulb of FIG. 1; and,  
FIG. 7 is a bottom plan view of the LED light bulb of FIG. 1.

**1 Claim, 7 Drawing Sheets**



(56)

References Cited

U.S. PATENT DOCUMENTS

7,318,661 B2 1/2008 Catalano  
 7,319,293 B2 1/2008 Maxik  
 D581,066 S 11/2008 Van Dyn Hoven  
 D601,278 S 9/2009 Takahashi  
 7,588,351 B2 9/2009 Meyer  
 D610,277 S 2/2010 Lee  
 D615,220 S 5/2010 Crane et al.  
 D617,915 S 6/2010 Wada et al.  
 7,726,836 B2 6/2010 Chen  
 7,736,020 B2 6/2010 Baroky et al.  
 D620,155 S 7/2010 Wang et al.  
 D623,774 S 9/2010 Tsai  
 D626,667 S 11/2010 Jonsson et al.  
 D633,226 S 2/2011 Katsaros  
 8,013,501 B2 9/2011 Carroll et al.  
 D646,408 S 10/2011 Shi  
 D646,809 S 10/2011 Shi  
 D654,602 S 2/2012 Carroll et al.  
 D663,051 S 7/2012 Xu et al.  
 D664,684 S 7/2012 Carroll et al.  
 D664,685 S 7/2012 Carroll et al.  
 D668,797 S 10/2012 Xu  
 8,371,722 B2 2/2013 Carroll  
 D691,290 S 10/2013 Carroll et al.  
 D691,292 S 10/2013 Qiu  
 D700,373 S 2/2014 Carroll et al.  
 2002/0021573 A1 2/2002 Zhang

2002/0176253 A1 11/2002 Lee  
 2003/0031015 A1 2/2003 Ishibashi  
 2003/0090910 A1 5/2003 Chen  
 2003/0117803 A1 6/2003 Chen  
 2003/0174499 A1 9/2003 Bohlander  
 2004/0037080 A1 2/2004 Luk et al.  
 2005/0030761 A1 2/2005 Burgess  
 2005/0174769 A1 8/2005 Yong et al.  
 2005/0207152 A1\* 9/2005 Maxik ..... 362/231  
 2005/0207159 A1 9/2005 Maxik  
 2006/0012997 A1 1/2006 Catalano et al.  
 2006/0221606 A1 10/2006 Dowling  
 2006/0285325 A1 12/2006 Ducharme et al.  
 2006/0291256 A1 12/2006 Cobbler  
 2007/0103914 A1 5/2007 McCaffrey  
 2007/0291482 A1 12/2007 Baroky et al.  
 2008/0024070 A1 1/2008 Catalano et al.  
 2008/0285279 A1 11/2008 Ng et al.  
 2009/0086492 A1 4/2009 Meyer  
 2009/0302730 A1\* 12/2009 Carroll et al. .... 313/46  
 2010/0301353 A1 12/2010 Pabst et al.  
 2011/0101842 A1 5/2011 Valenzano  
 2012/0243230 A1\* 9/2012 Carroll et al. .... 362/249.02

FOREIGN PATENT DOCUMENTS

WO 2005090852 9/2005  
 WO 2009149263 12/2009

\* cited by examiner

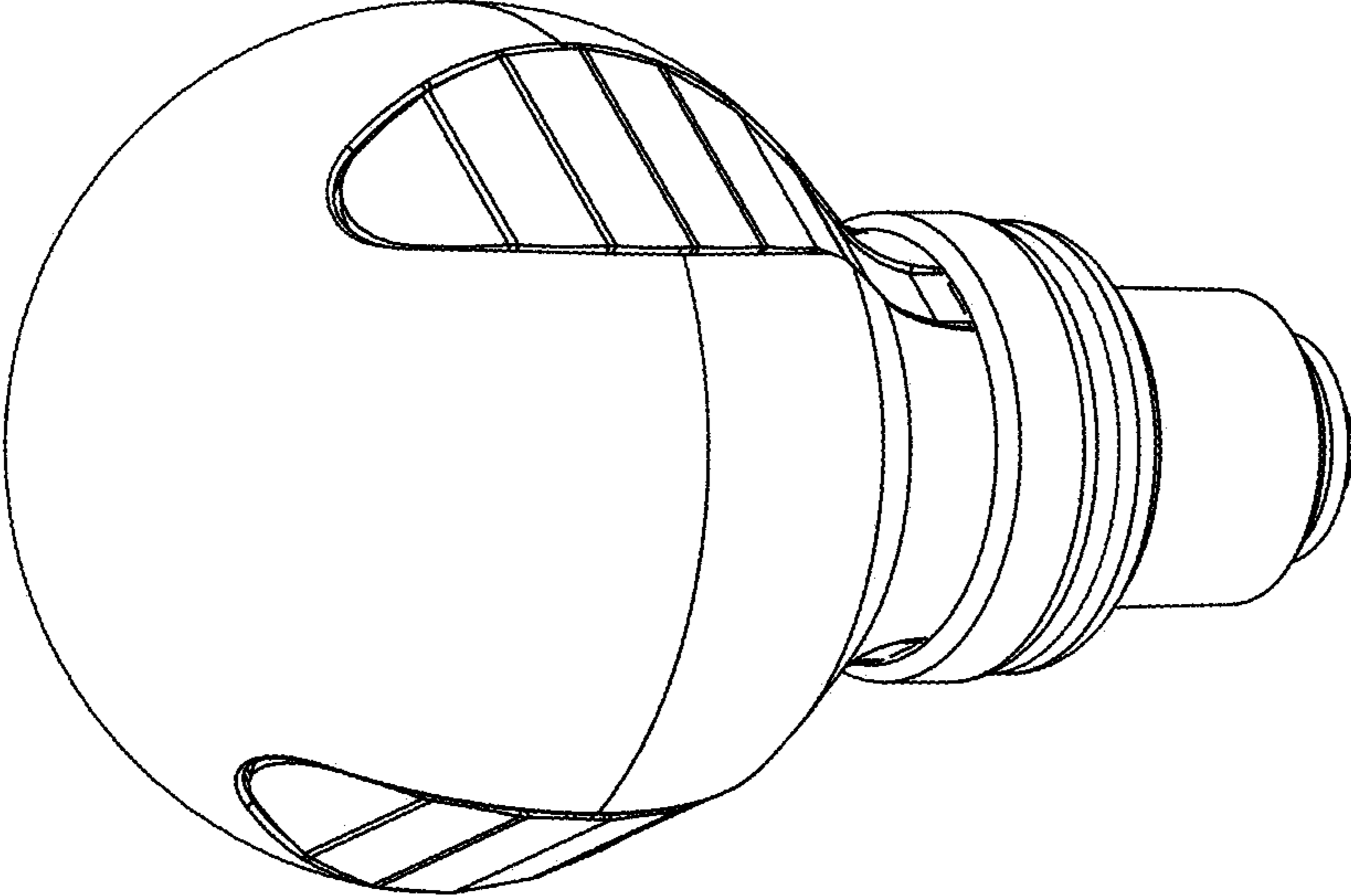


FIG. 1

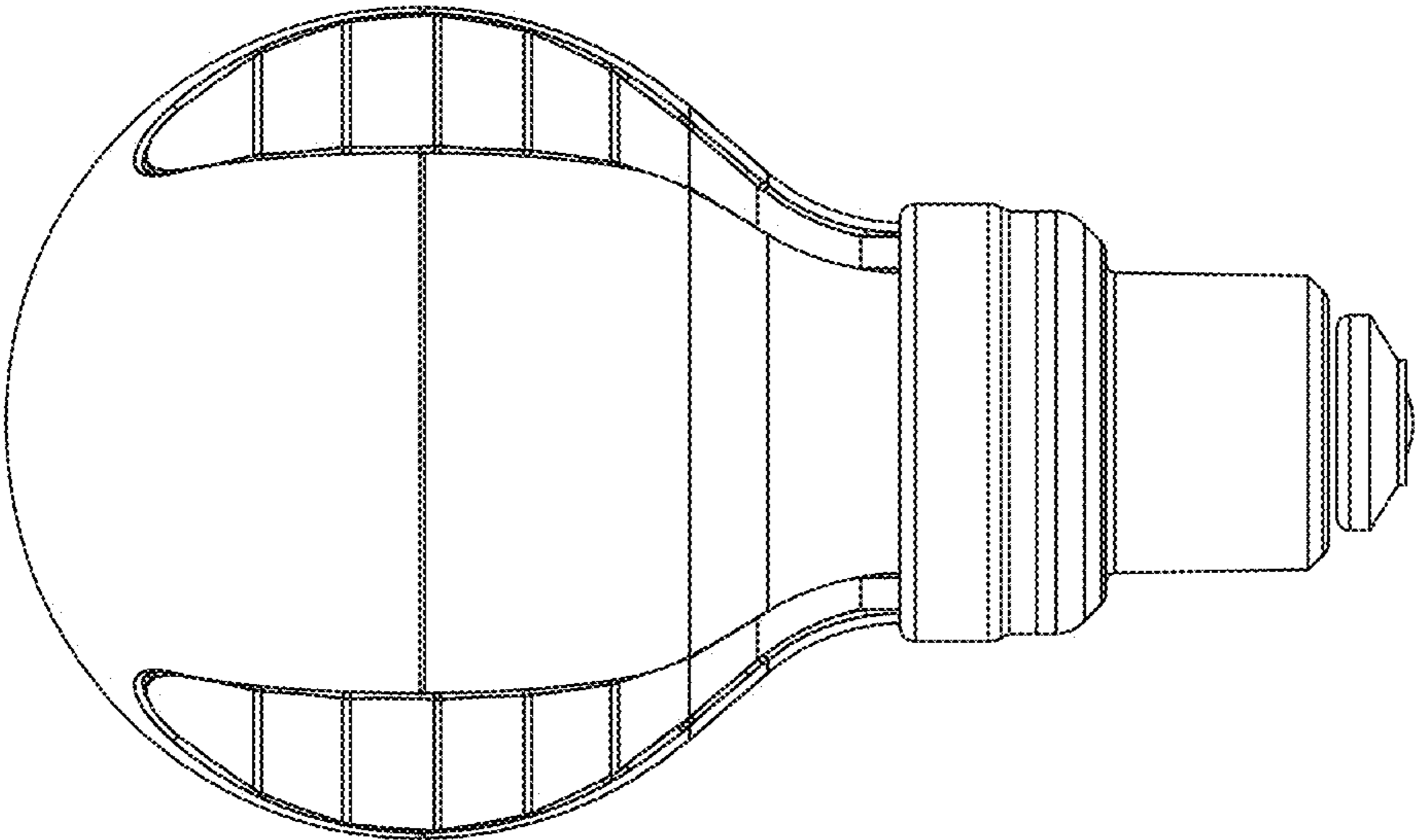
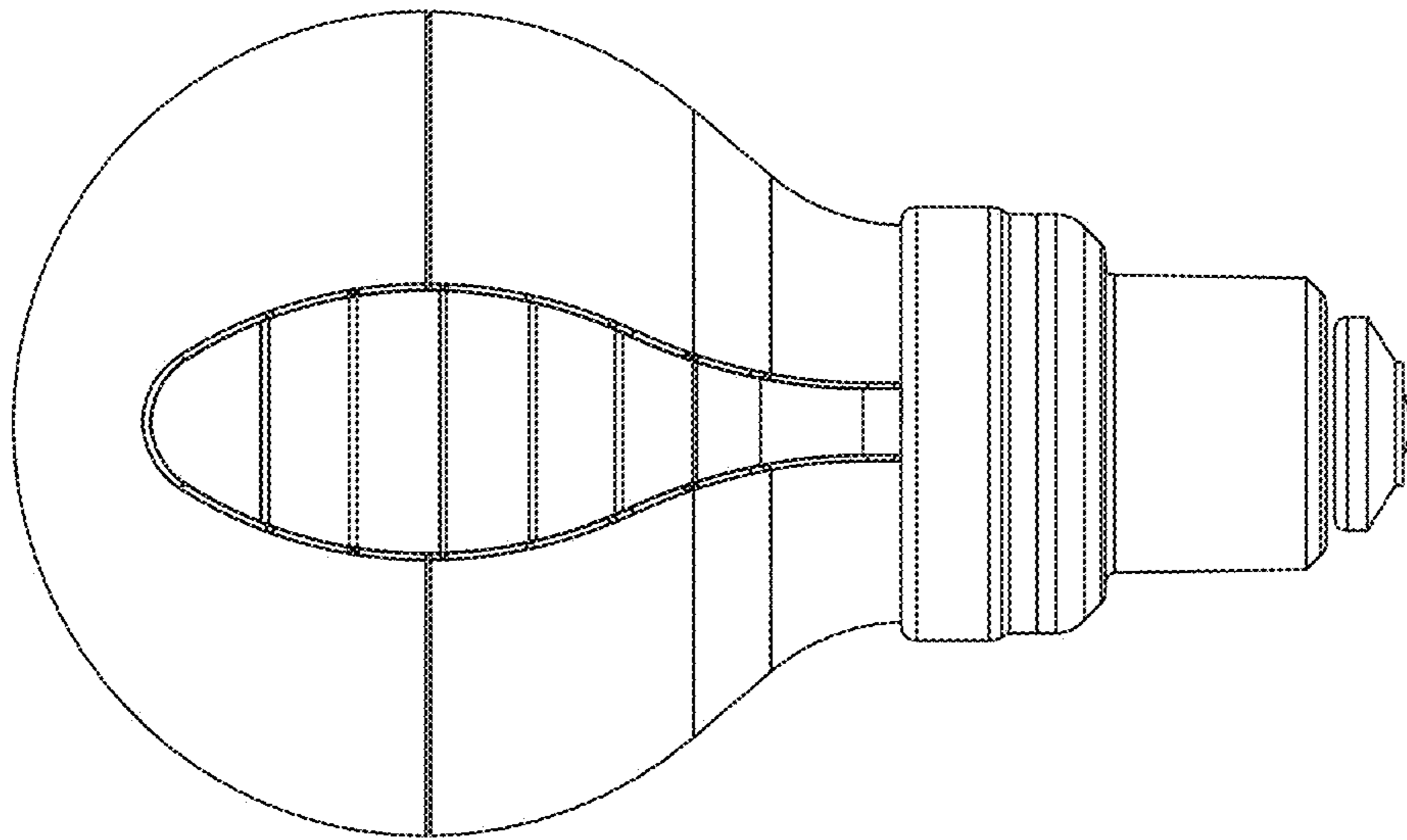


FIG. 2



**FIG. 3**

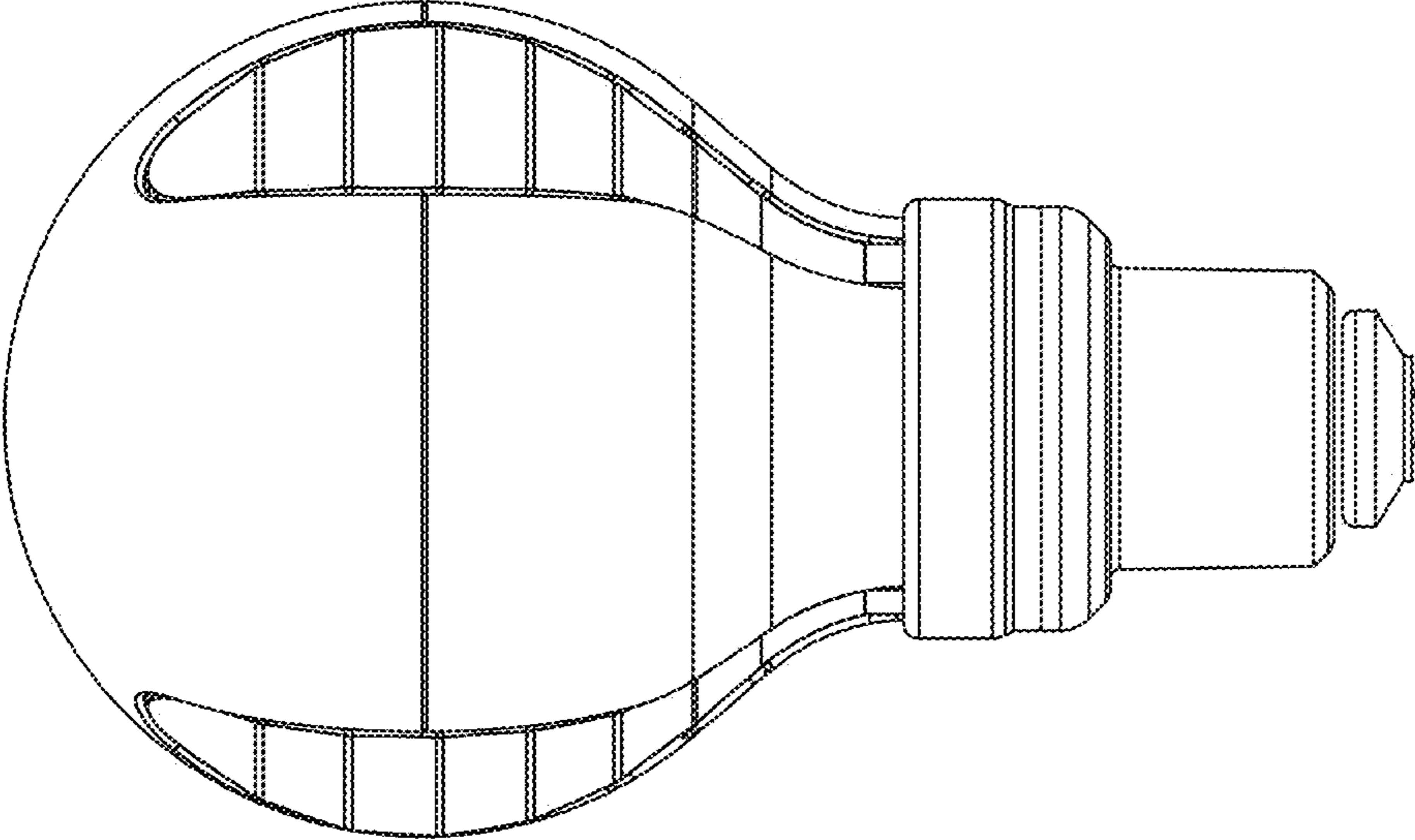


FIG. 4



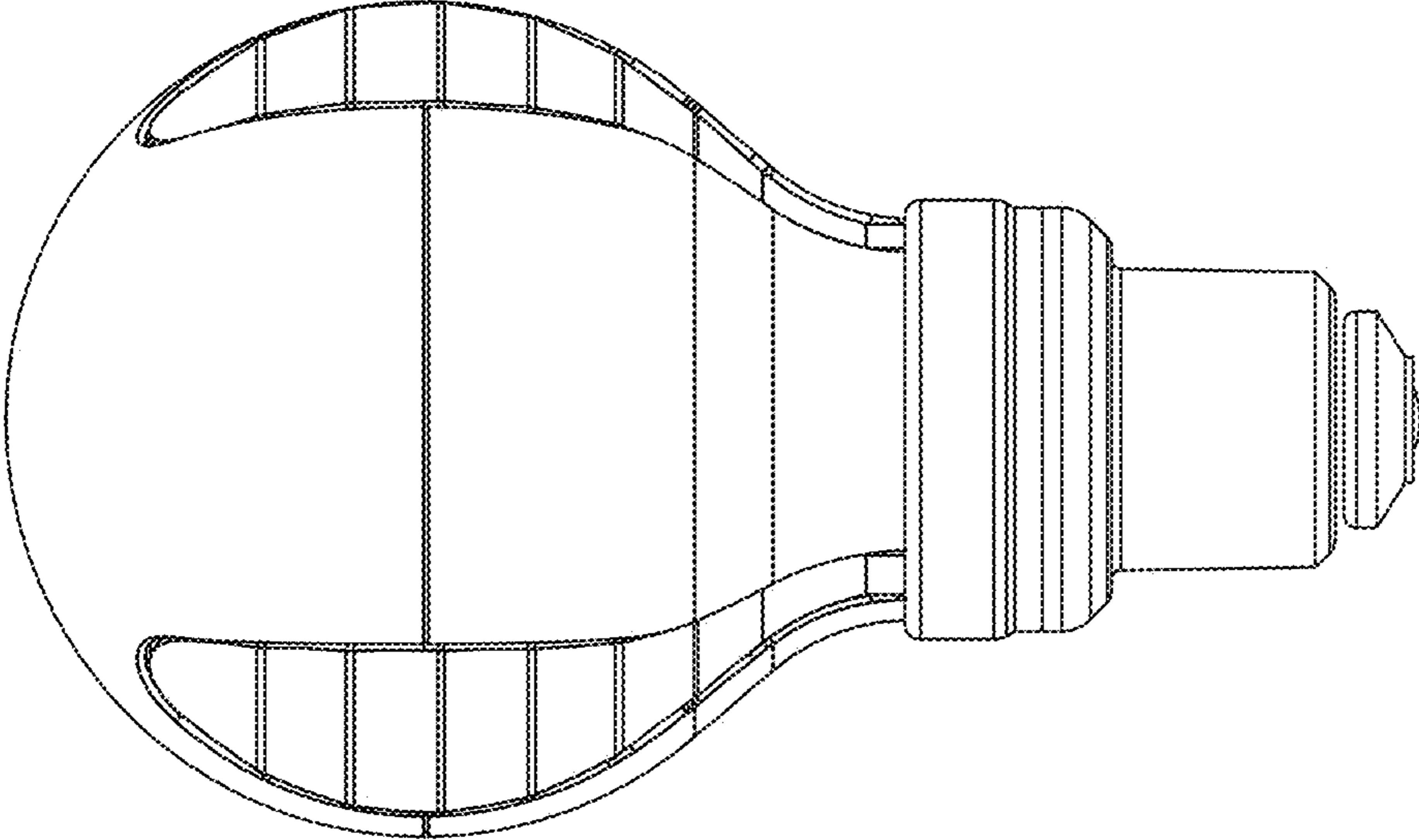


FIG. 5

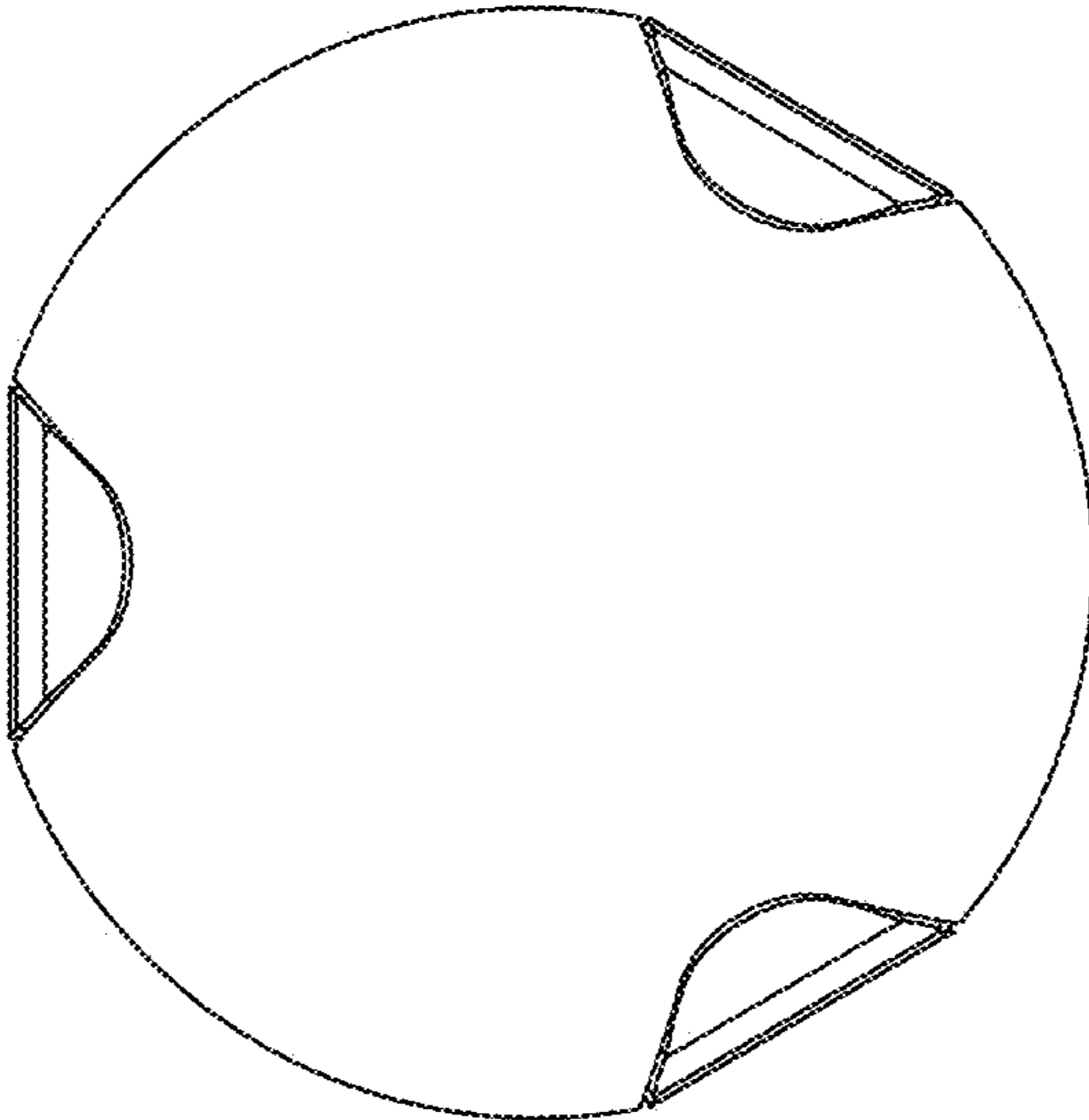


FIG. 6



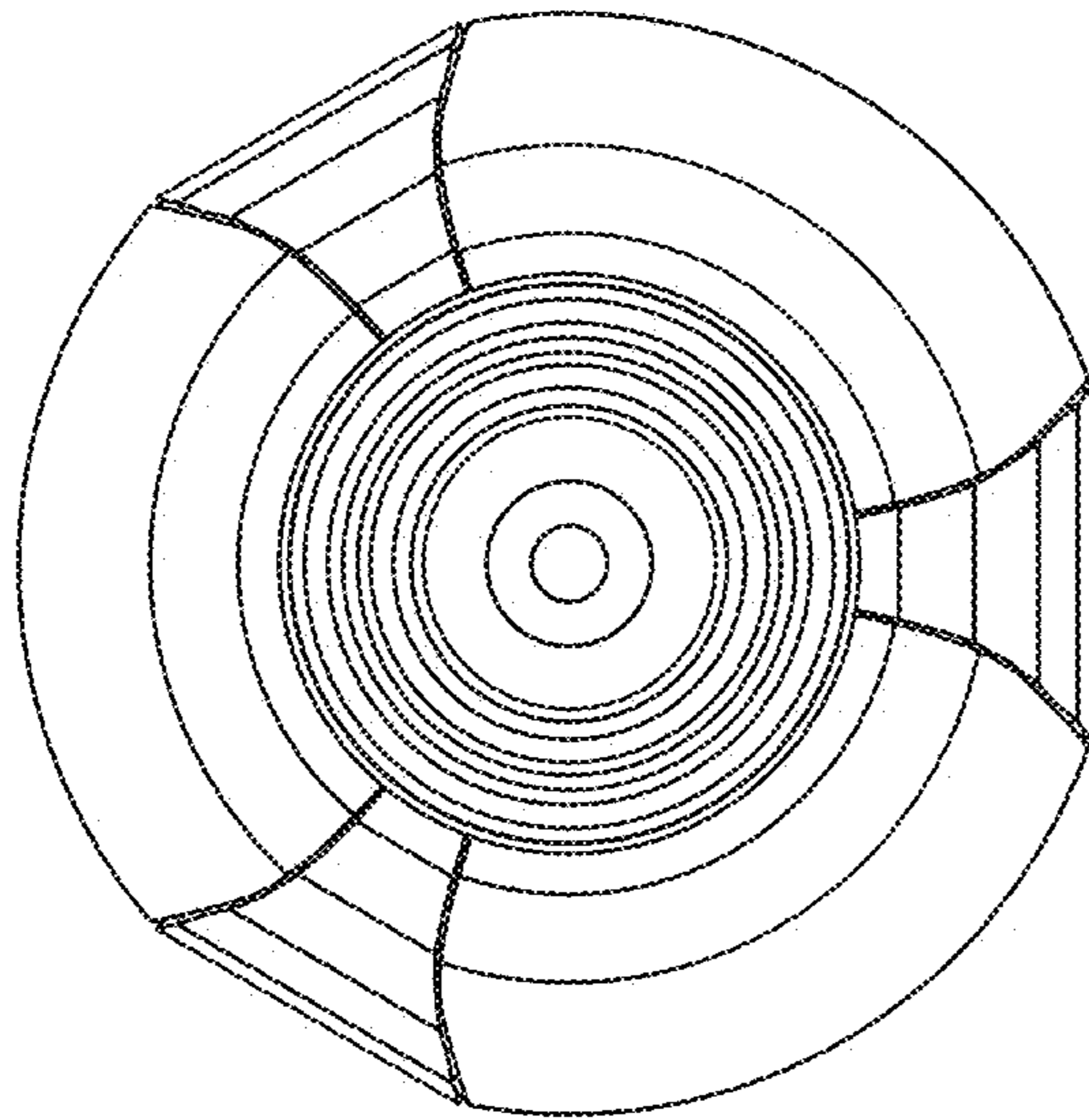


FIG. 7