



US00D745703S

(12) **United States Design Patent**  
**Ivanov**

(10) **Patent No.:** **US D745,703 S**

(45) **Date of Patent:** **\*\* Dec. 15, 2015**

(54) **EXPANDABLE STRUCTURE**

(71) Applicant: **Nikolay Ivanov**, Plovdiv (BG)

(72) Inventor: **Nikolay Ivanov**, Plovdiv (BG)

(\*\*) Term: **14 Years**

(21) Appl. No.: **29/479,986**

(22) Filed: **Jan. 22, 2014**

(30) **Foreign Application Priority Data**

Jul. 23, 2013 (EM) ..... 002279299-001

(51) **LOC (10) Cl.** ..... **25-01**

(52) **U.S. Cl.**

USPC ..... **D25/61**

(58) **Field of Classification Search**

USPC ..... D25/1, 3-4, 16, 31, 33, 61

CPC ..... E04B 1/3483; E04B 1/003; E04B 1/348;

E04H 1/04

See application file for complete search history.

(56) **References Cited**

**U.S. PATENT DOCUMENTS**

1,066,212 A \* 7/1913 Meltzer ..... 52/280

3,429,092 A \* 2/1969 Hart et al. .... D25/61

5,372,447 A \* 12/1994 Chung ..... D25/61

5,402,608 A \* 4/1995 Chu ..... 52/79.1

5,755,063 A \* 5/1998 Ohnishi et al. .... 52/79.8

7,827,738 B2 \* 11/2010 Abrams et al. .... 52/79.1

D674,916 S \* 1/2013 Cetindag ..... D25/61

8,356,446 B2 \* 1/2013 Takeda et al. .... 52/79.12

8,769,886 B2 \* 7/2014 Ohnishi et al. .... 52/79.12

\* cited by examiner

*Primary Examiner* — Robert Delehanty

(74) *Attorney, Agent, or Firm* — Dunlap Coddling, P.C.

(57) **CLAIM**

The ornamental design for an expandable structure, as shown and described.

**DESCRIPTION**

FIG. 1 is a perspective view of an embodiment of an expandable structure showing my new design.

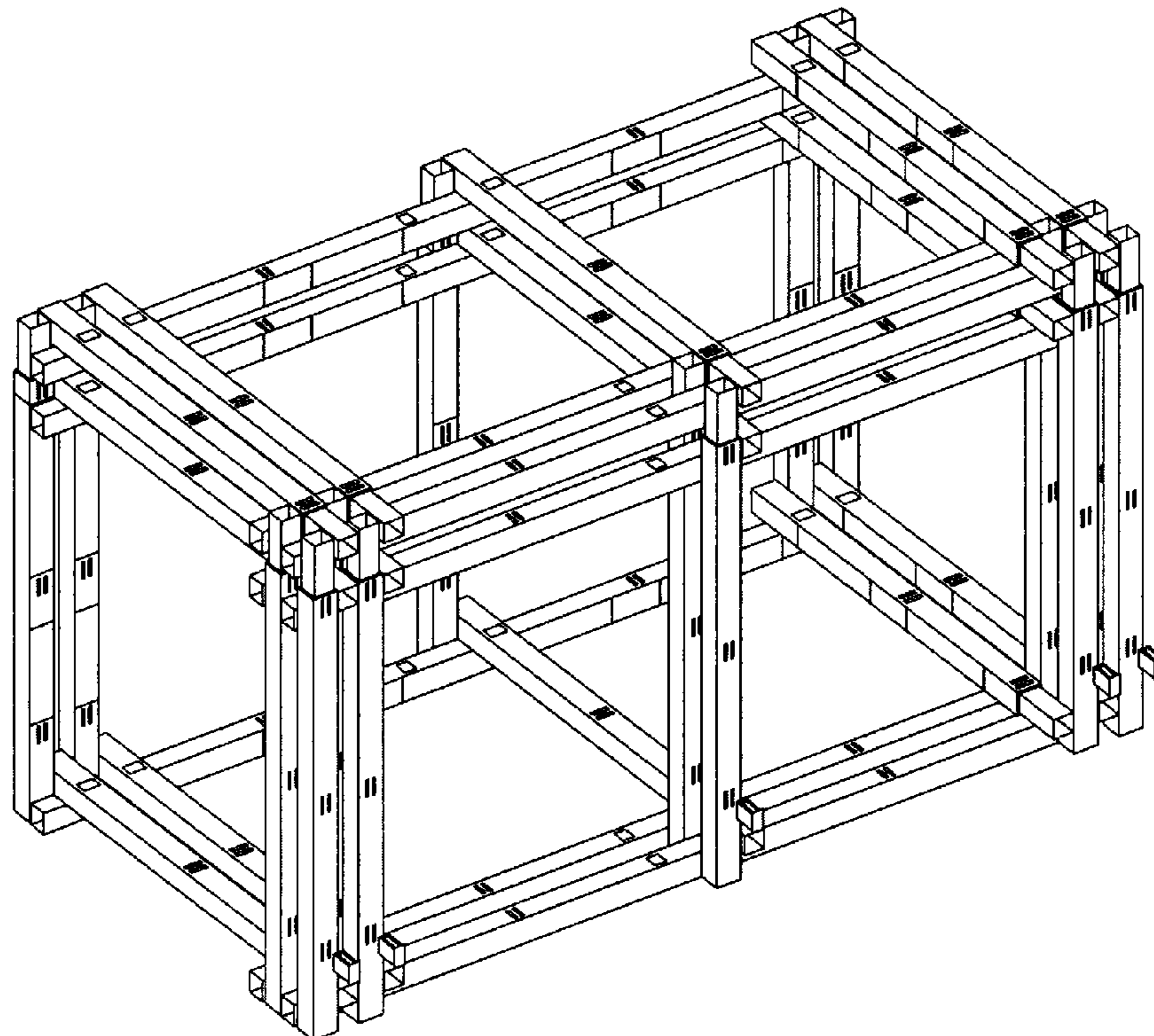
FIG. 2 is an enlarged perspective view of a front upper corner of the expandable structure of FIG. 1.

FIG. 3 is a perspective view of an embodiment of an expandable structure showing my new design; and,

FIG. 4 is a perspective view of an embodiment of an expandable structure showing my new design.

Background features are shown in broken lines for illustrative purposes only and form no part of the claimed design.

**1 Claim, 4 Drawing Sheets**



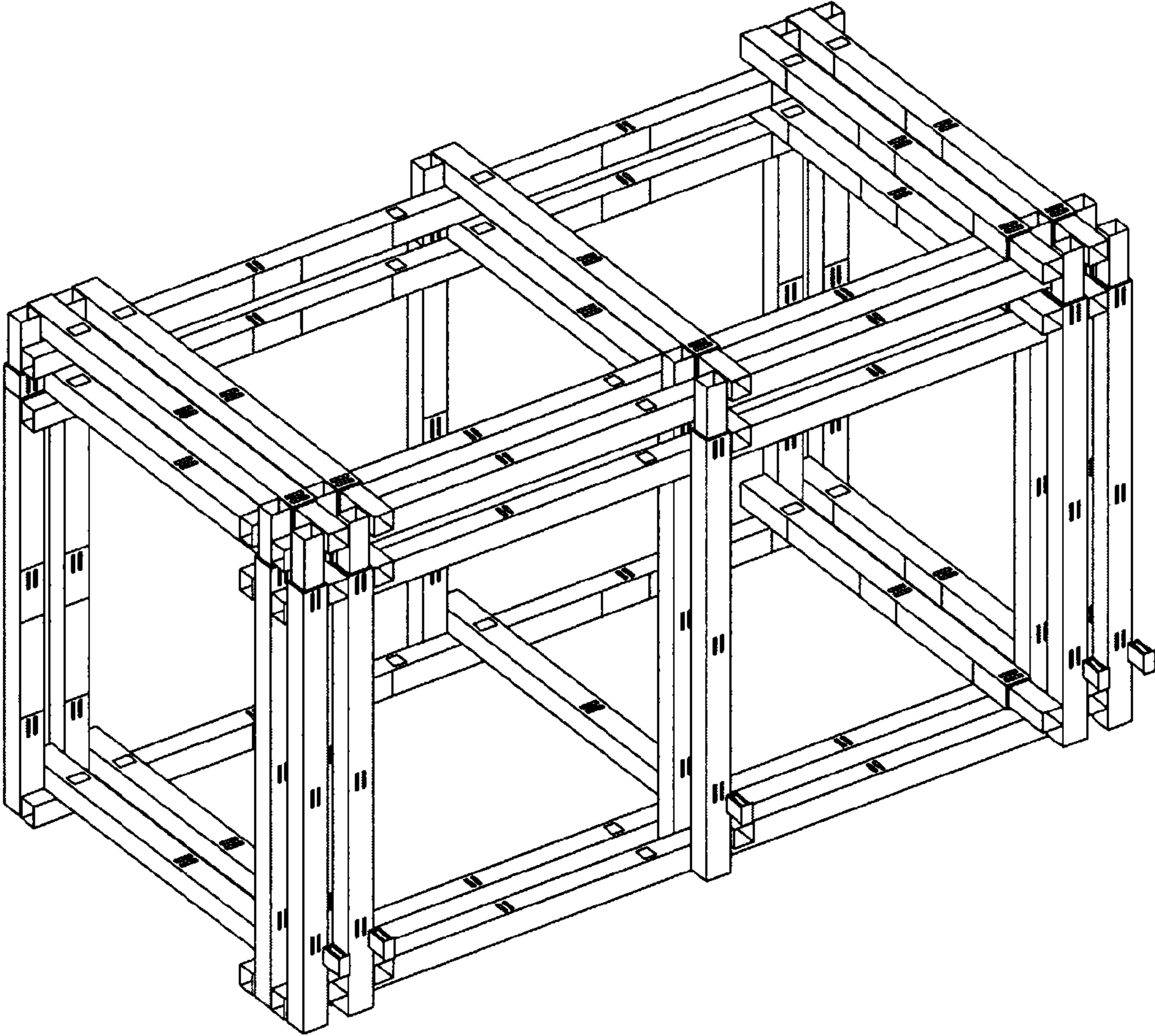


FIG. 1

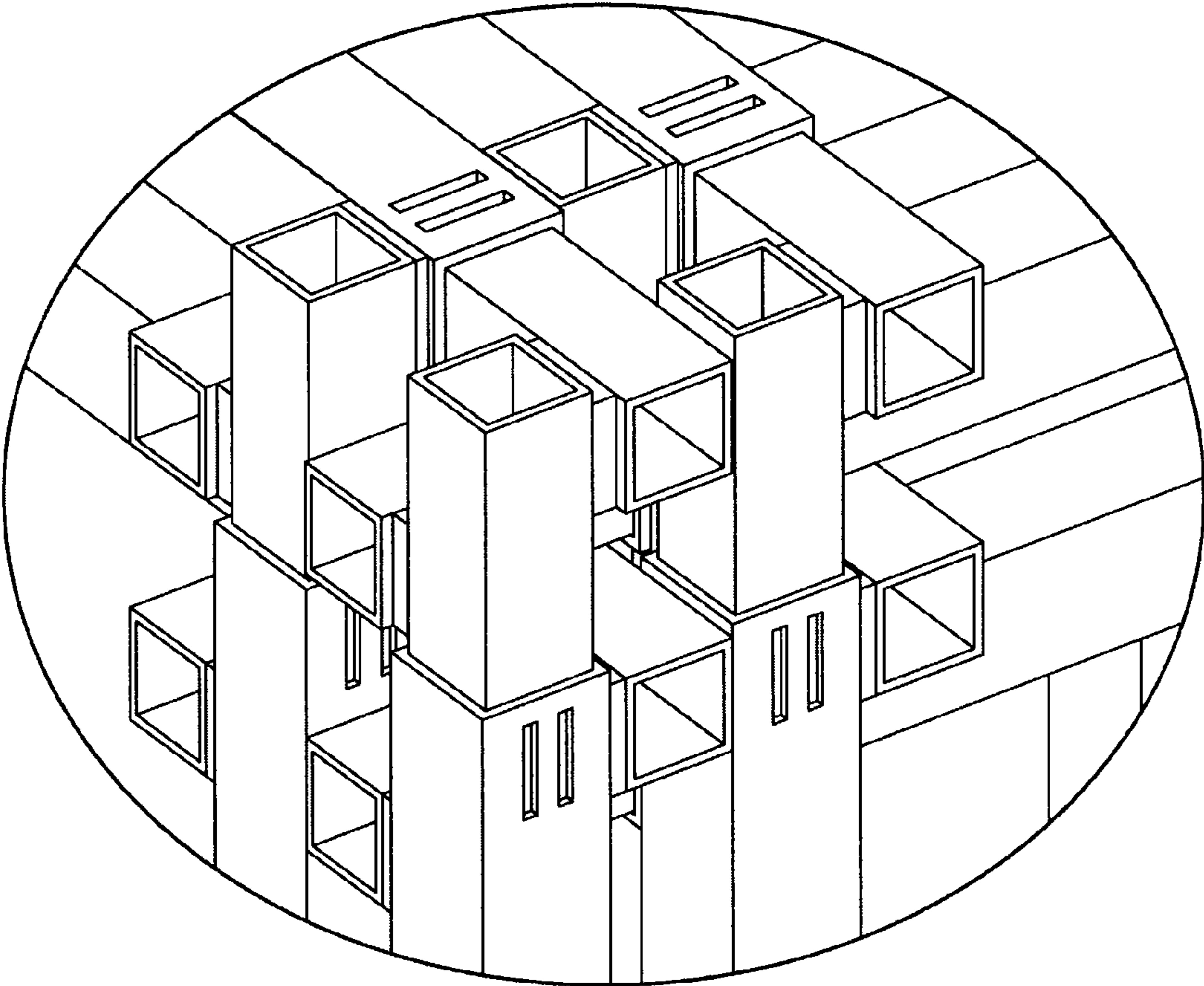


FIG. 2

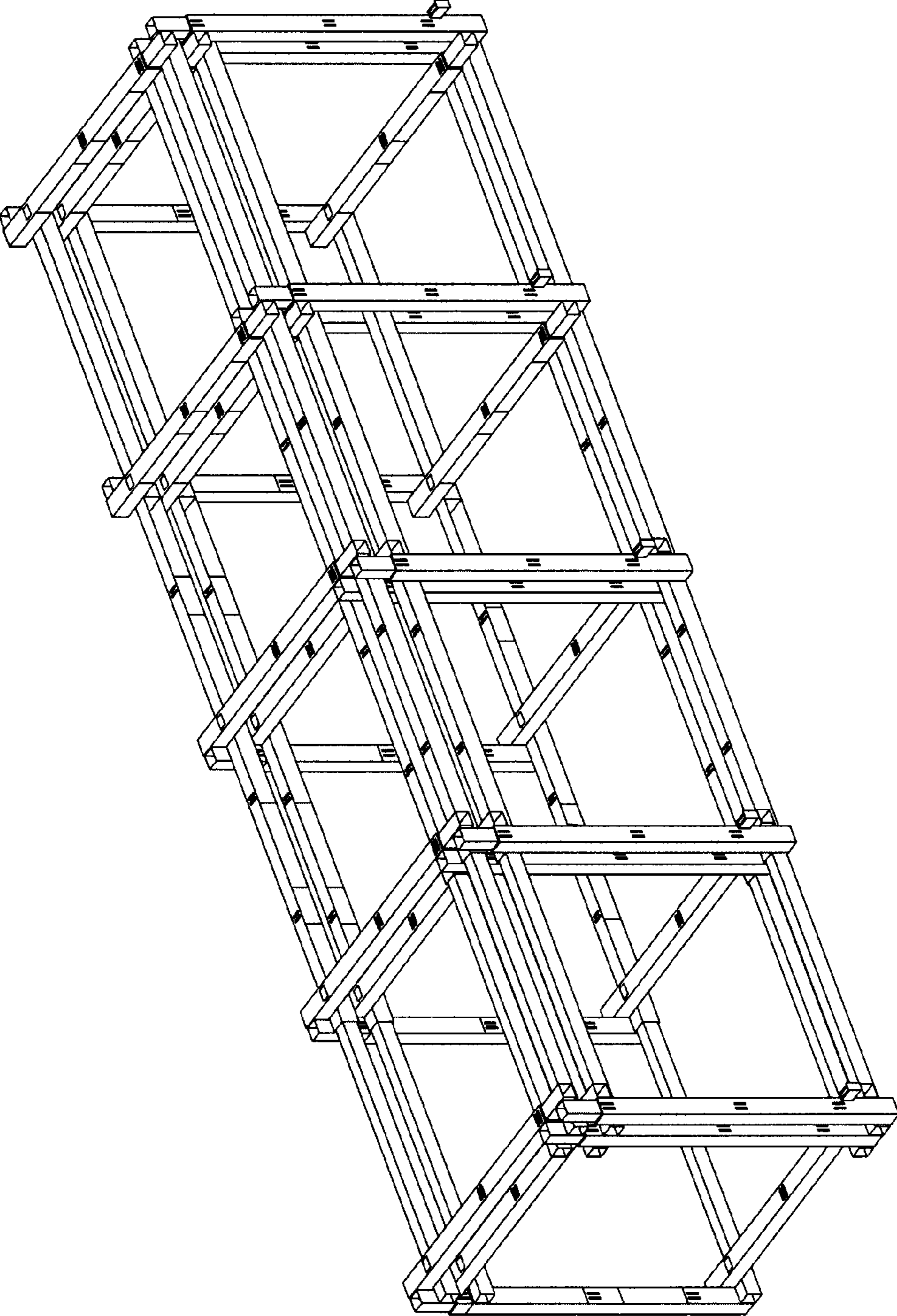


FIG. 3

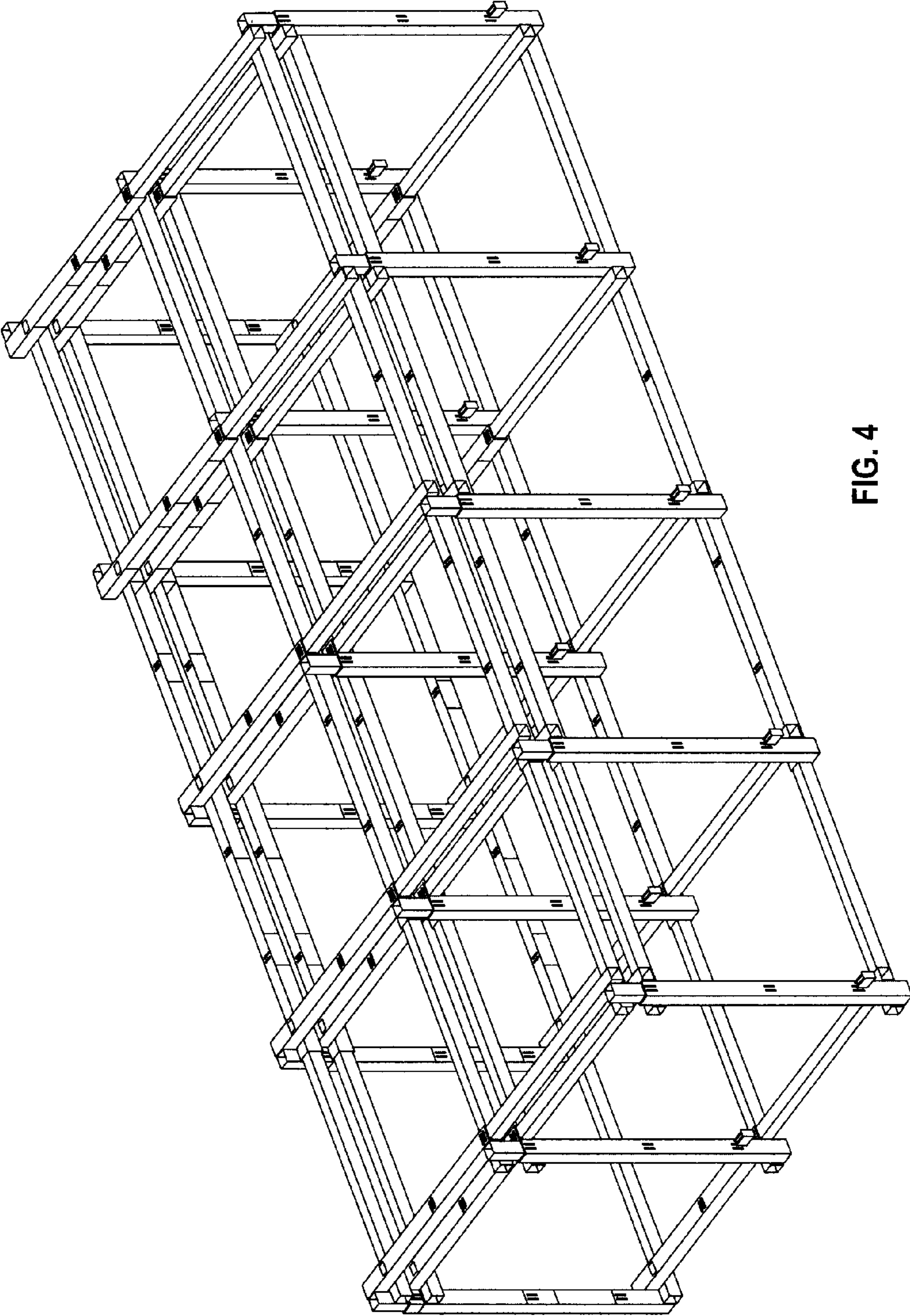


FIG. 4