



US00D745694S

(12) **United States Design Patent**
Tapper et al.

(10) **Patent No.:** **US D745,694 S**
(45) **Date of Patent:** **** Dec. 15, 2015**

(54) **LIGHT THERAPY MASK**

(71) Applicant: **La Lumiere LLC**, Cleveland, OH (US)

(72) Inventors: **Jay Tapper**, Wayne, PA (US); **Lawrence A Blaustein**, Chagrin Falls, OH (US); **David Shuter**, Palm Beach Gardens, FL (US); **Charles Peter Althoff**, New York, NY (US); **Alistair Douglas Bramley**, Brooklyn, NY (US); **Allen Zadeh**, Brooklyn, NY (US)

(73) Assignee: **La Lumiere LLC**, Cleveland, OH (US)

(**) Term: **14 Years**

(21) Appl. No.: **29/493,208**

(22) Filed: **Jun. 6, 2014**

(51) **LOC (10) Cl.** **28-03**

(52) **U.S. Cl.**
USPC **D24/209**

(58) **Field of Classification Search**
USPC D24/158, 200, 209, 210, 231; 606/9, 606/33; 607/88-94; D29/107-110; D28/9, D28/99

See application file for complete search history.

(56) **References Cited**

U.S. PATENT DOCUMENTS

D434,852 S * 12/2000 Kim D24/200
D640,793 S * 6/2011 Britt D24/209

D704,338 S * 5/2014 Van Den Bergh D24/158
D711,008 S * 8/2014 Park D24/209
2013/0066404 A1* 3/2013 Tapper et al. 607/90

FOREIGN PATENT DOCUMENTS

DE 20 20009 000 891 U1 7/2009
GB 2 380 134 A 4/2003

OTHER PUBLICATIONS

European Search Report for EP Patent Application 12 830 671.9 dated May 6, 2015.

* cited by examiner

Primary Examiner — Anhdao Doan

(74) *Attorney, Agent, or Firm* — Fay Sharpe LLP

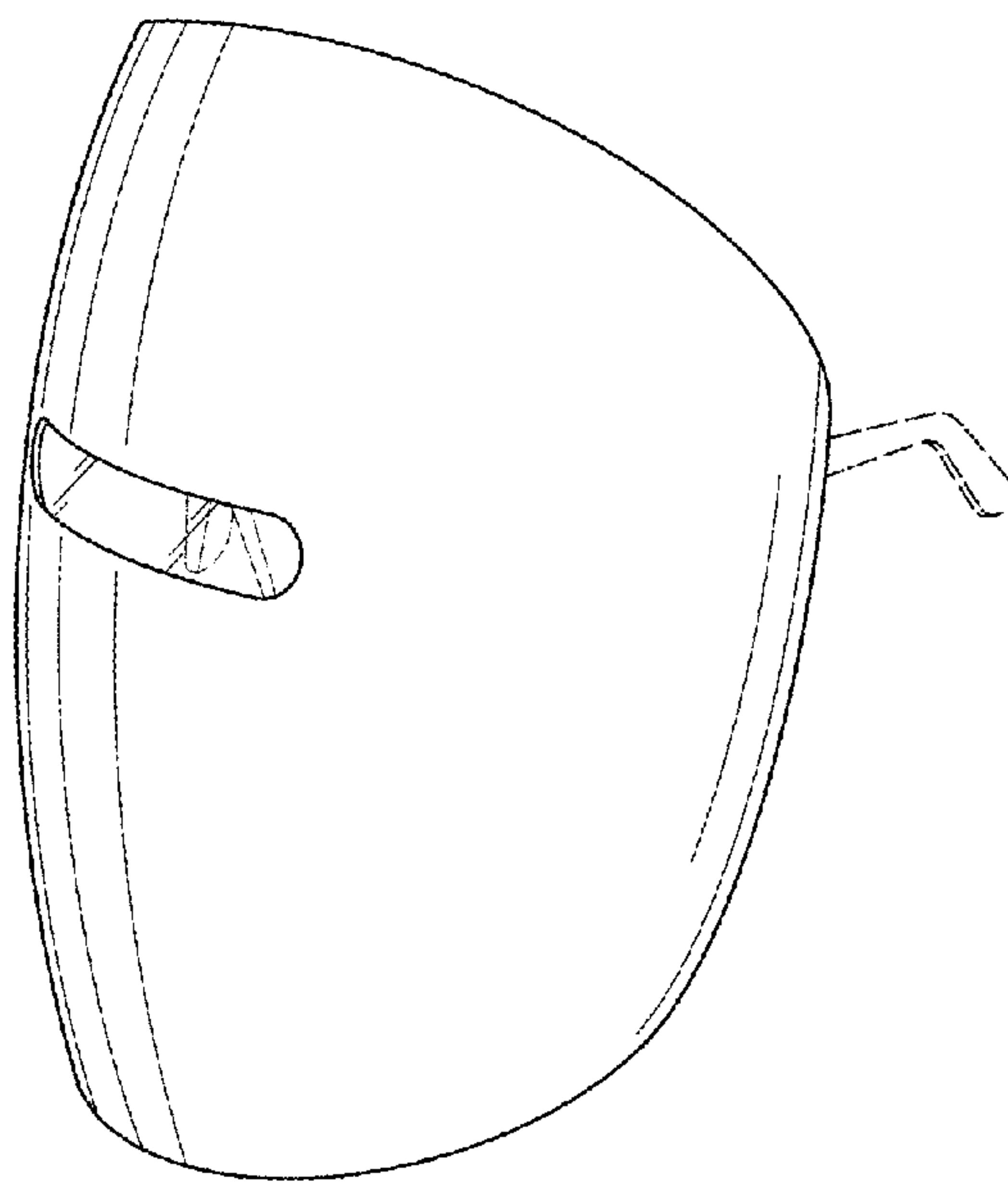
(57) **CLAIM**

The ornamental design for a light therapy mask, as shown and described.

DESCRIPTION

FIG. 1 is a perspective view of a light therapy mask;
FIG. 2 is a side plan view thereof;
FIG. 3 is a front plan view thereof;
FIG. 4 is a rear plan view thereof;
FIG. 5 is a top end view thereof; and,
FIG. 6 is a bottom end view thereof.
The broken lines in the drawings are included for the purpose of illustrating portions of the light therapy mask that form no part of the claimed design.

1 Claim, 3 Drawing Sheets



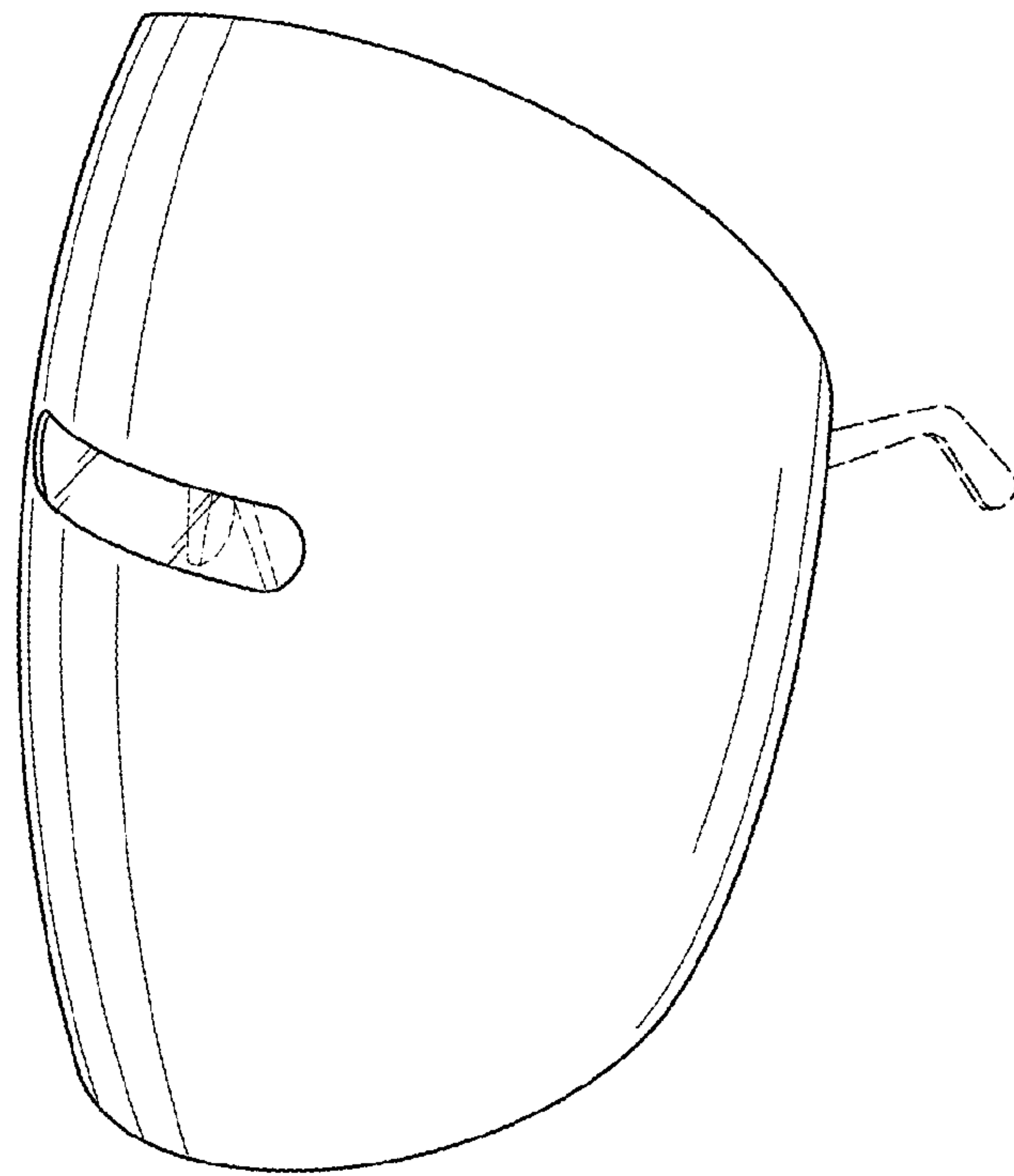


FIG. 1

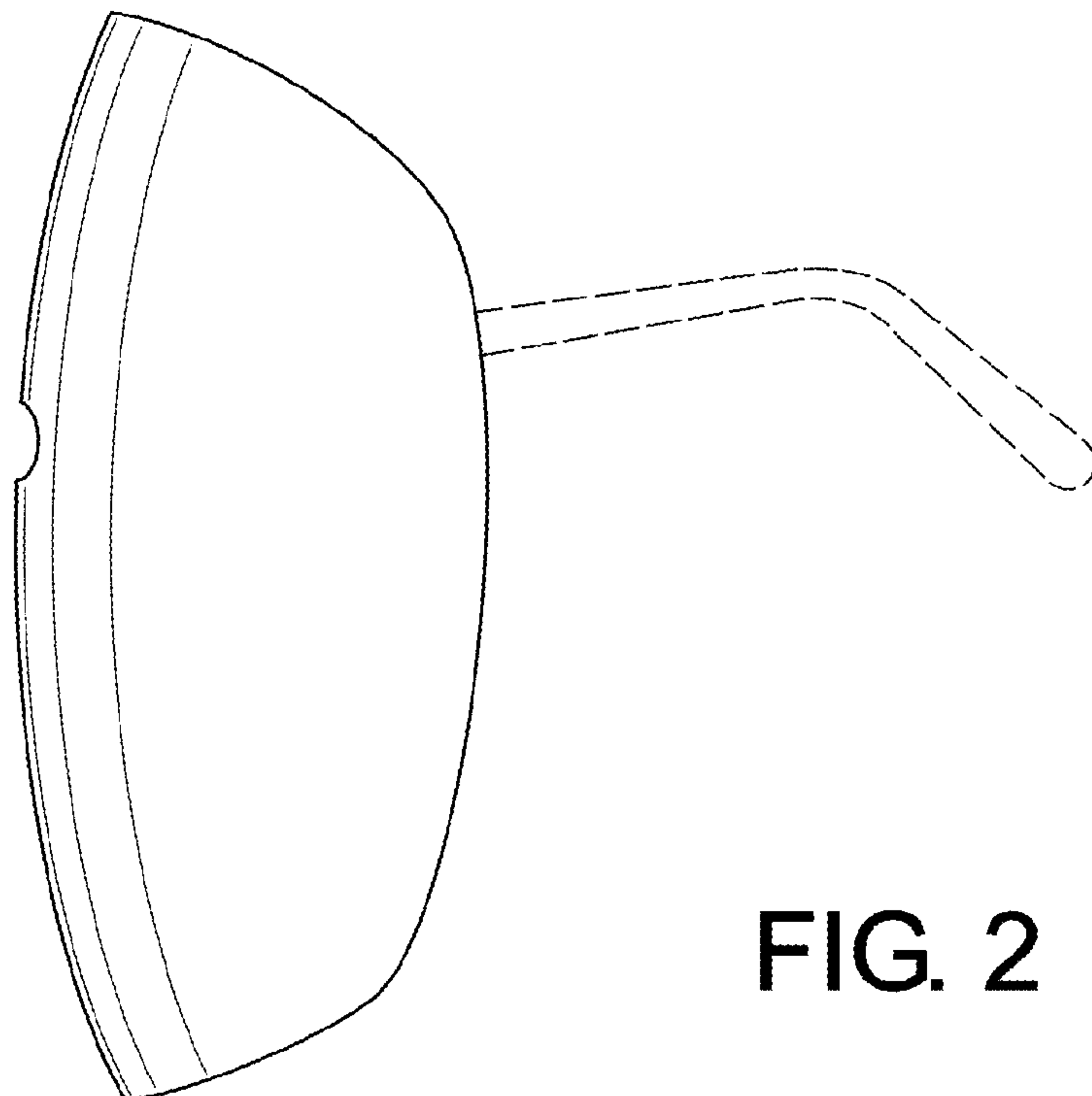


FIG. 2

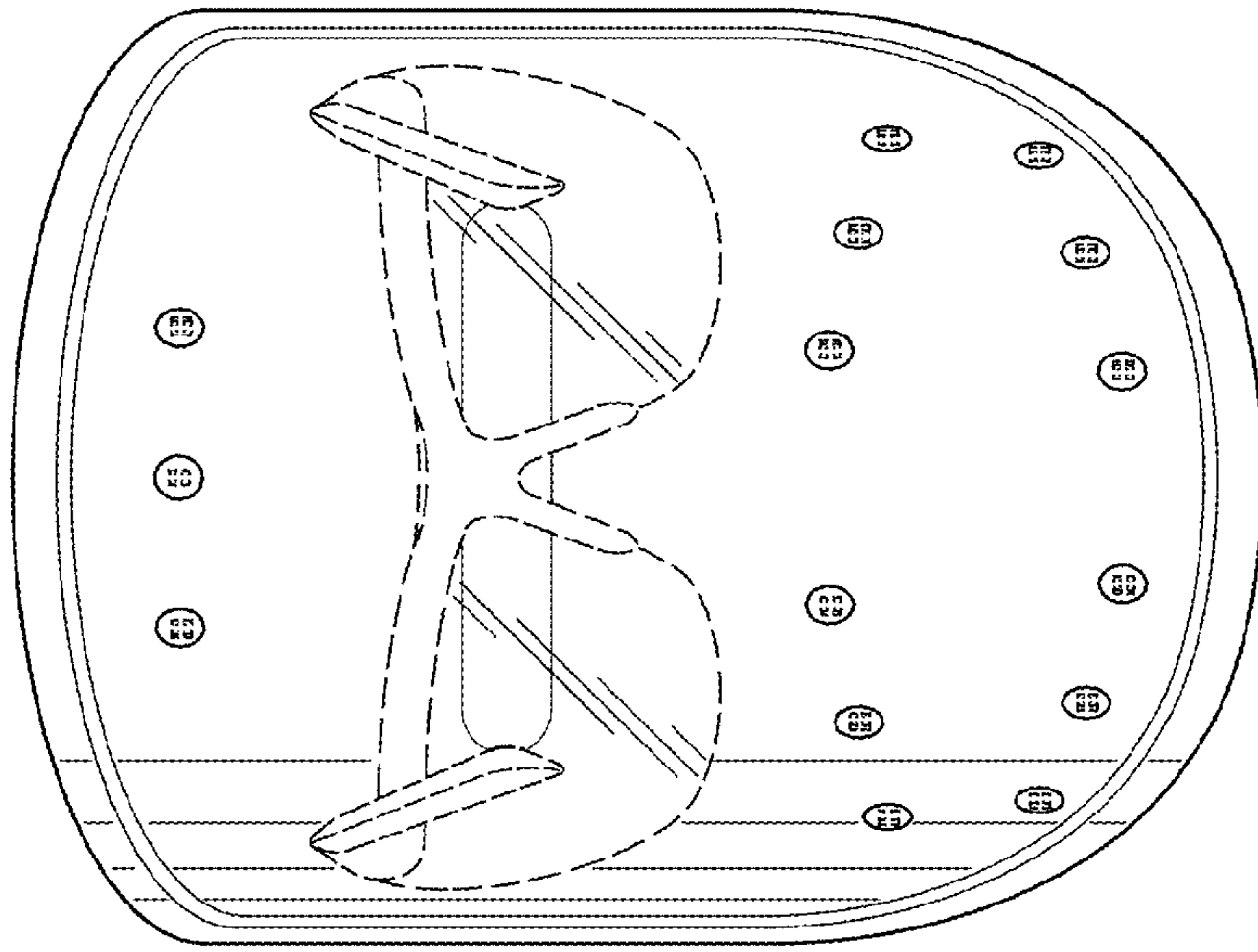


FIG. 4

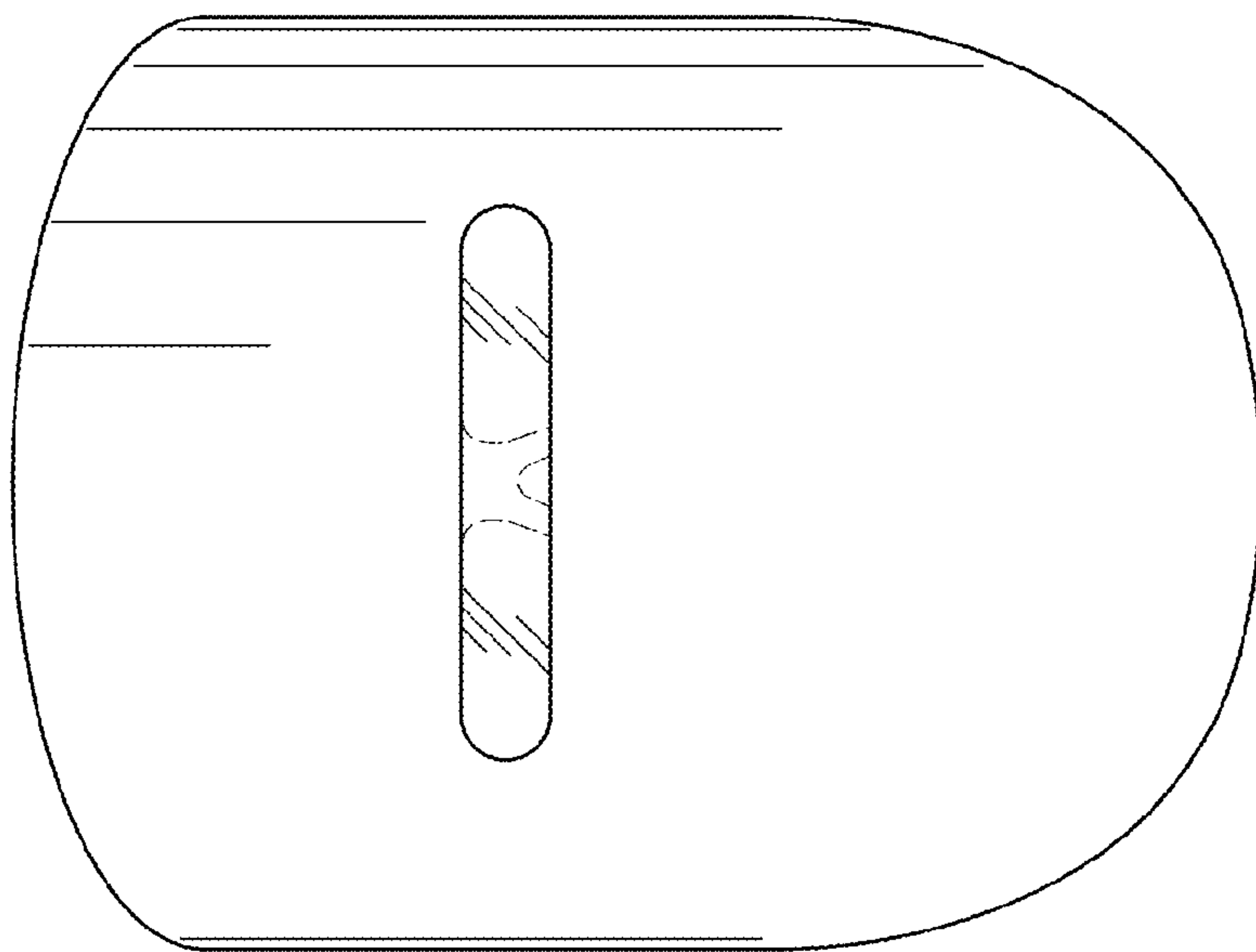


FIG. 3

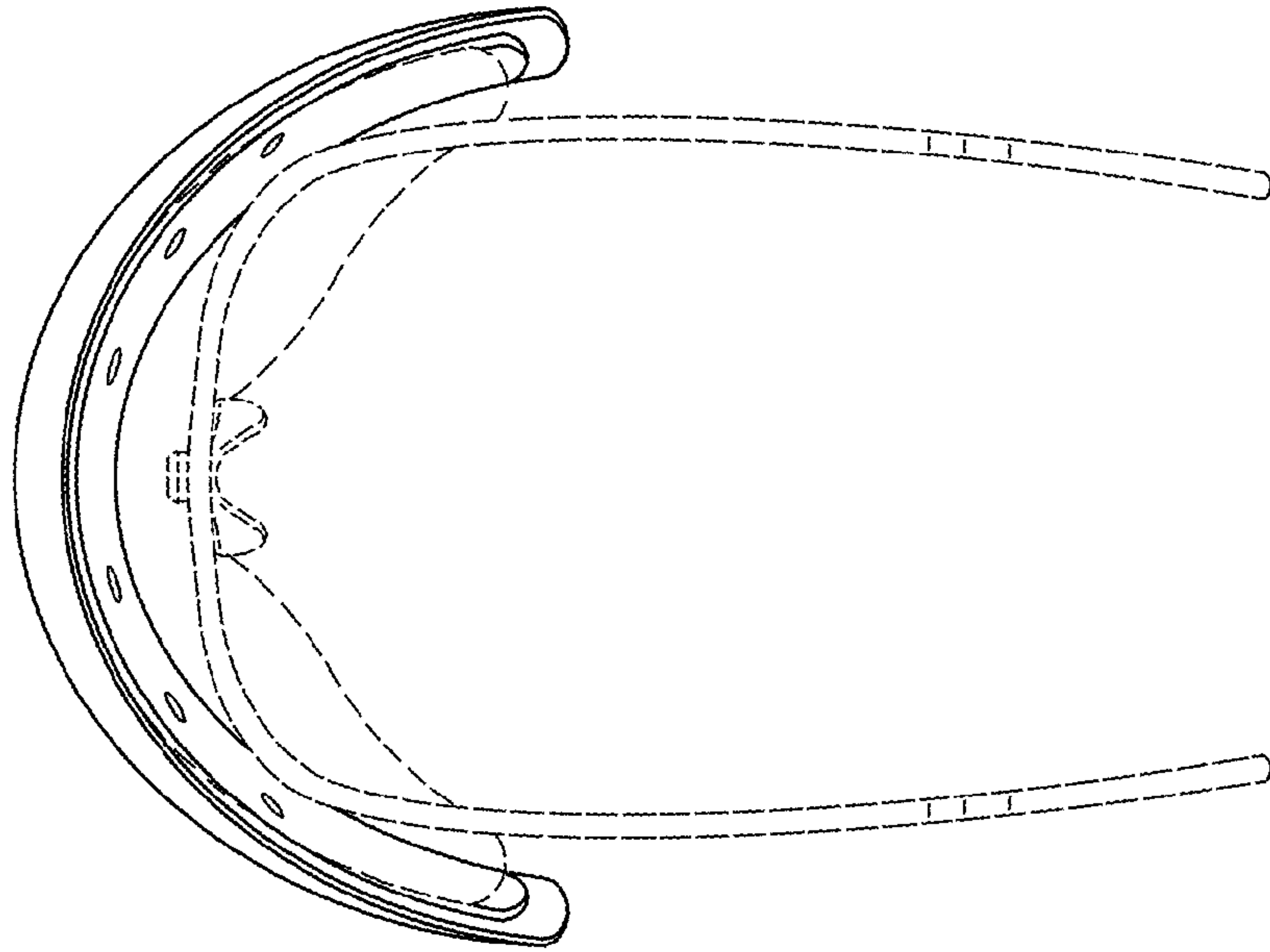


FIG. 5

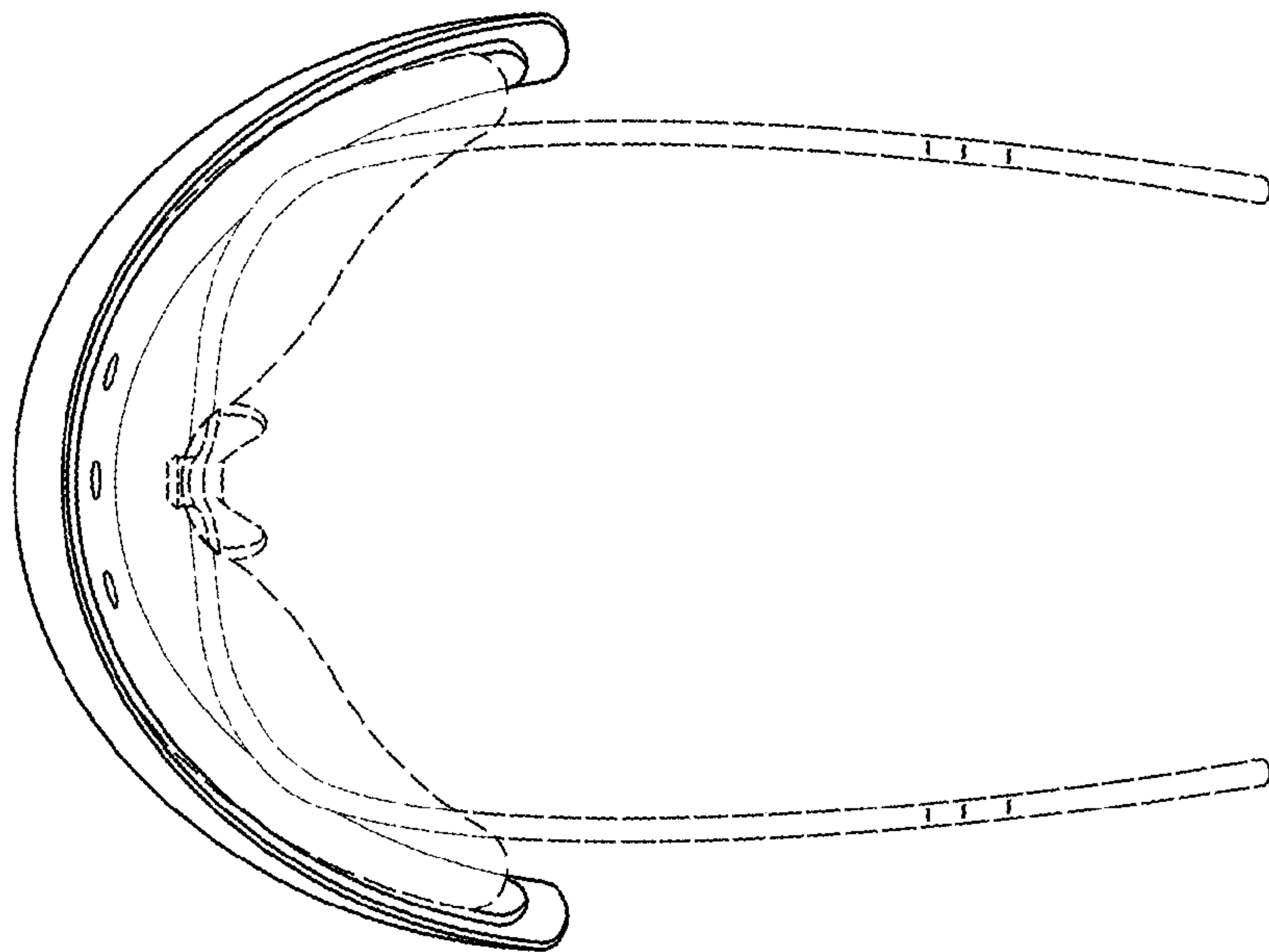


FIG. 6