



US00D745686S

(12) **United States Design Patent**
Personnelli

(10) **Patent No.:** **US D745,686 S**

(45) **Date of Patent:** **** Dec. 15, 2015**

(54) **ULTRASOUND PROBE**

(71) Applicant: **General Electric Company,**
Schenectady, NY (US)

(72) Inventor: **Regis Personnelli,** Bois D'Arcy (FR)

(73) Assignee: **General Electric Company,**
Schenectady, NY (US)

(**) Term: **14 Years**

(21) Appl. No.: **29/477,794**

(22) Filed: **Dec. 27, 2013**

(51) **LOC (10) Cl.** **24-01**

(52) **U.S. Cl.**
USPC **D24/187**

(58) **Field of Classification Search**
USPC D24/158, 185-187, 200, 214-215, 142,
D24/206, 209, 144; D10/78, 60; 600/407,
600/446, 459-462, 437, 439; 378/98.7,
378/98.8, 189; D8/356

See application file for complete search history.

(56) **References Cited**

U.S. PATENT DOCUMENTS

D319,793	S	*	9/1991	Dubut	D10/60
D389,919	S	*	1/1998	Ninomiya et al.	D24/186
5,897,503	A	*	4/1999	Lyon et al.	600/459
6,709,392	B1	*	3/2004	Salgo et al.	600/439
D616,990	S	*	6/2010	Suzuki	D24/186
D634,849	S	*	3/2011	Kanokogi et al.	D24/187
D667,557	S	*	9/2012	Boudier	D24/186
D681,825	S	*	5/2013	Shinohara et al.	D24/186
D681,827	S	*	5/2013	Shinohara et al.	D24/186
D681,828	S	*	5/2013	Shinohara et al.	D24/186

D682,433	S	*	5/2013	Shinohara et al.	D24/186
D685,100	S	*	6/2013	Shinohara et al.	D24/186
D688,376	S	*	8/2013	Bartlett	D24/187
D704,844	S	*	5/2014	Saeki	D24/187

* cited by examiner

Primary Examiner — T. Chase Nelson

Assistant Examiner — Mark Cavanna

(57) **CLAIM**

The ornamental design for an ultrasound probe, as shown and described.

DESCRIPTION

FIG. 1 is a front view of an ultrasound probe showing my new design;

FIG. 2 is rear view of the ultrasound probe shown in FIG. 1;

FIG. 3 is a top view of the ultrasound probe shown in FIG. 1;

FIG. 4 is a bottom view of the ultrasound probe shown in FIG. 1;

FIG. 5 is a left view of the ultrasound probe shown in FIG. 1;

FIG. 6 is a right view of the ultrasound probe shown in FIG. 1;

FIG. 7 is a front perspective view of the ultrasound probe shown in FIG. 1;

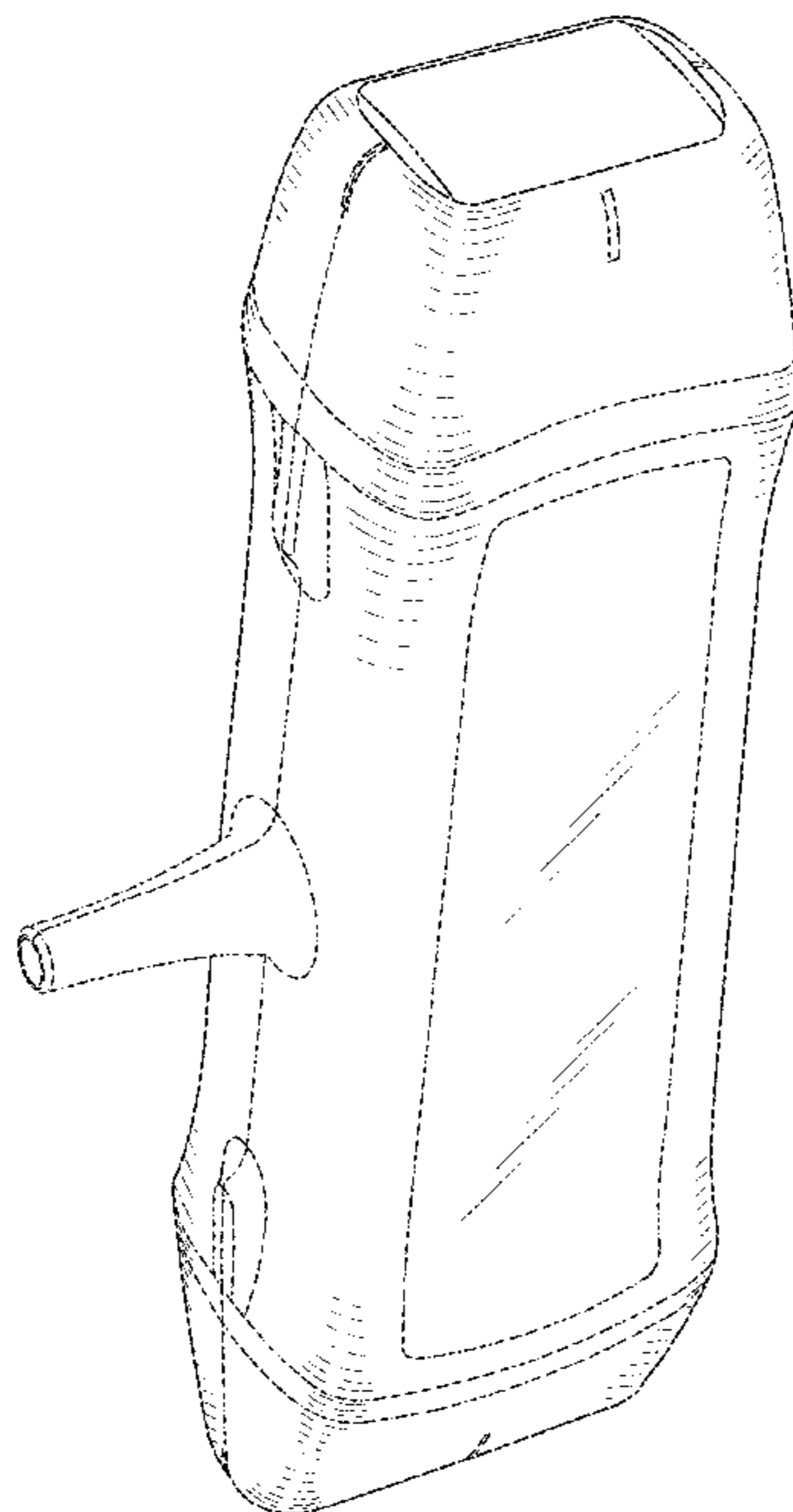
FIG. 8 is a front perspective view of the ultrasound probe shown in FIG. 1;

FIG. 9 is a rear perspective view of the ultrasound probe shown in FIG. 1; and,

FIG. 10 is a rear perspective view of the ultrasound probe shown in FIG. 1.

The elements shown in broken lines form no part of the claimed design. The relatively light shade lines on the surface portions of the ultrasound probe indicate contour and not surface decoration.

1 Claim, 8 Drawing Sheets



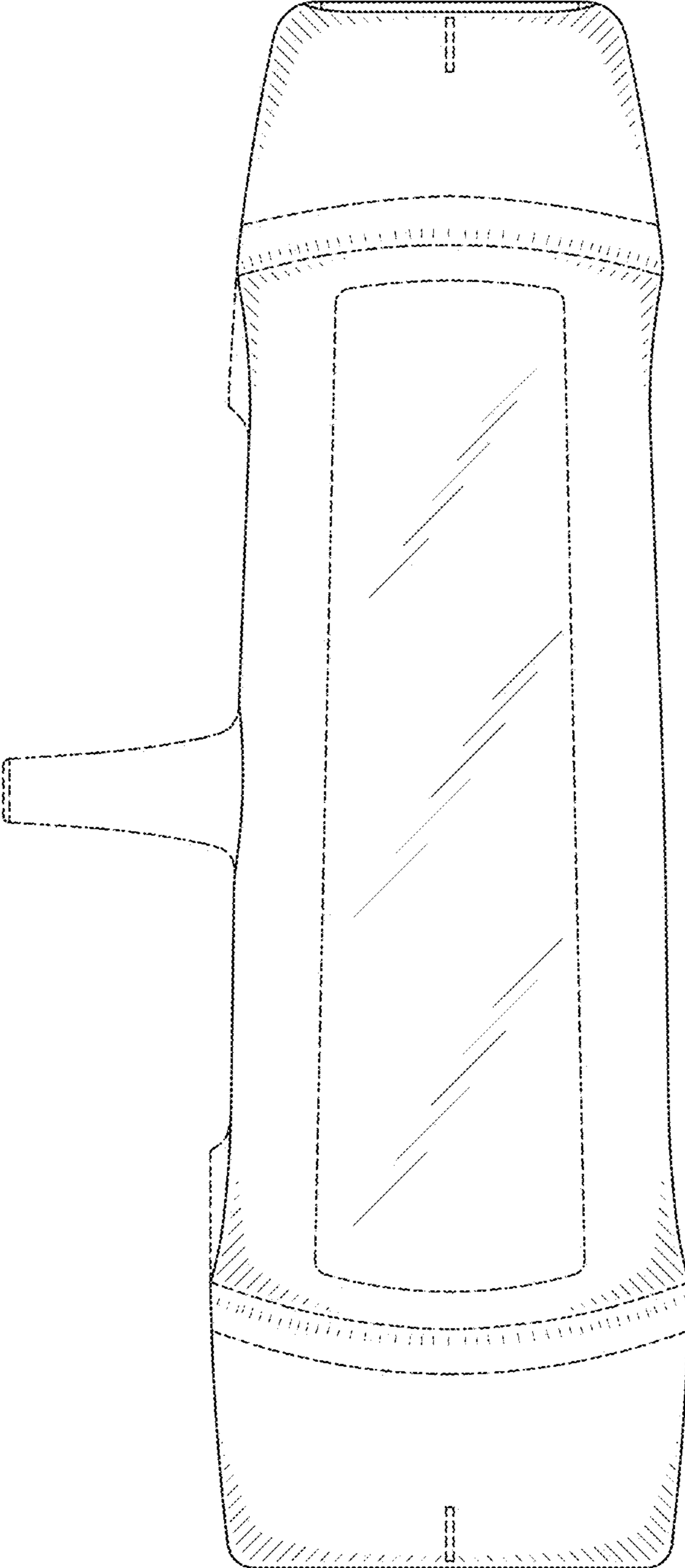


FIG. 1

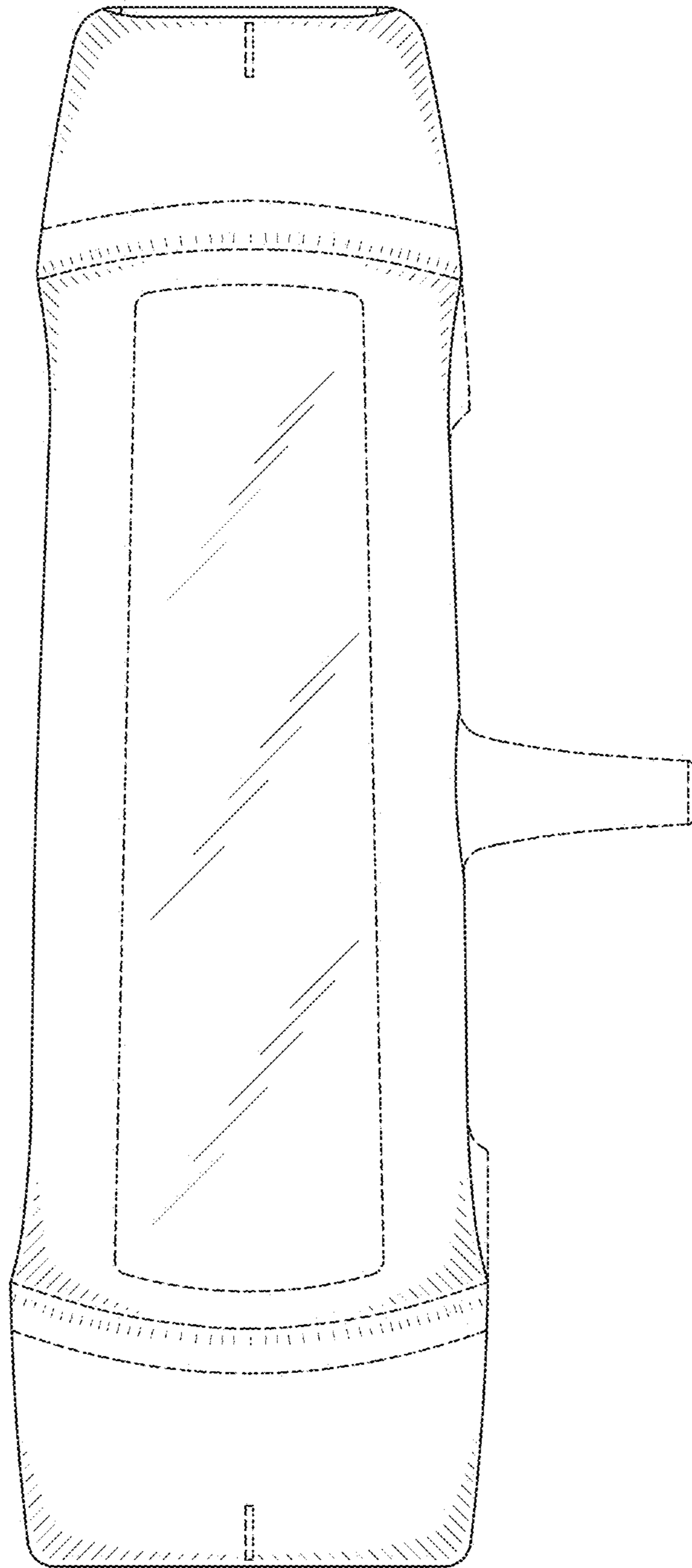


FIG. 2

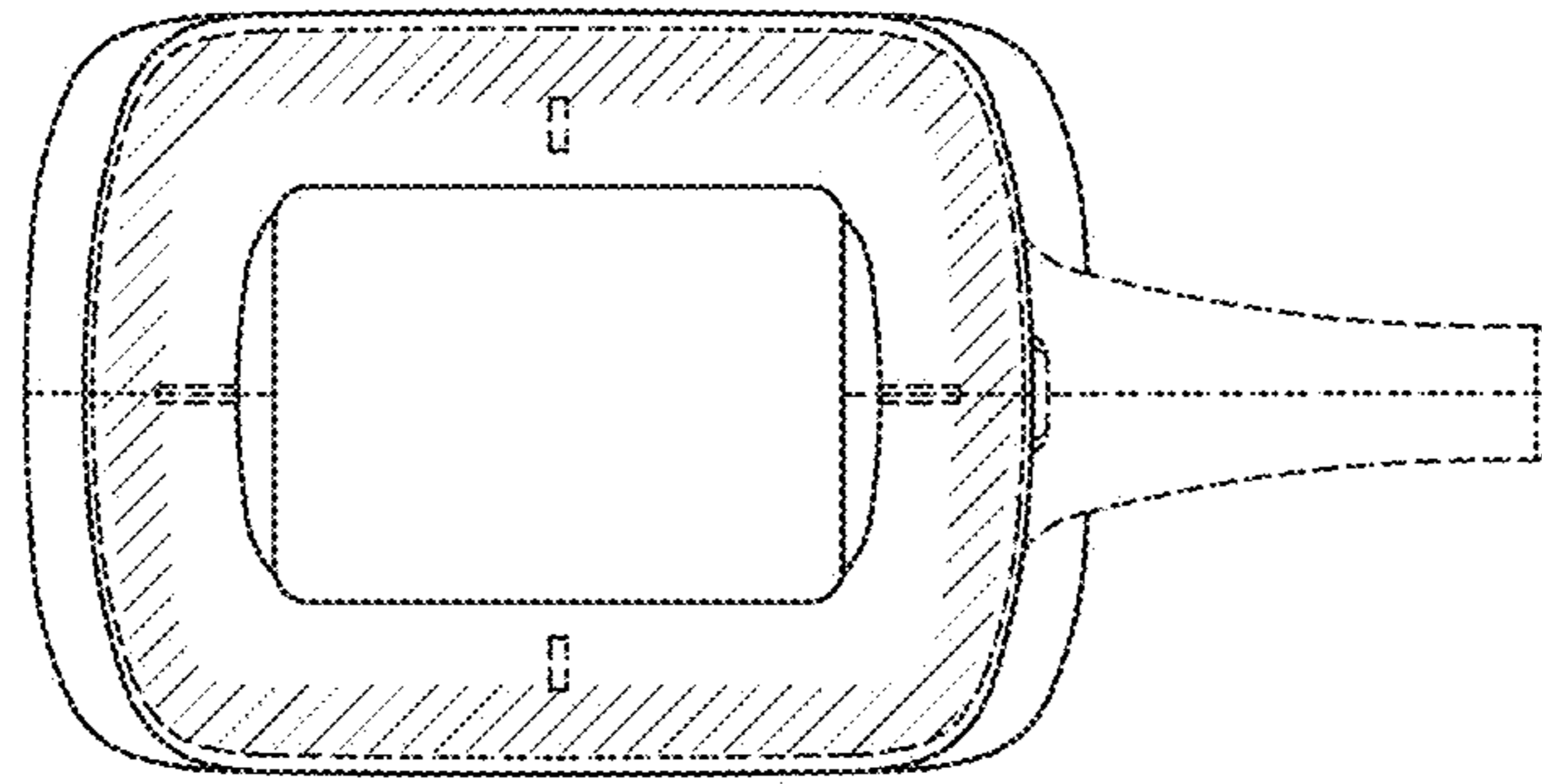


FIG. 3

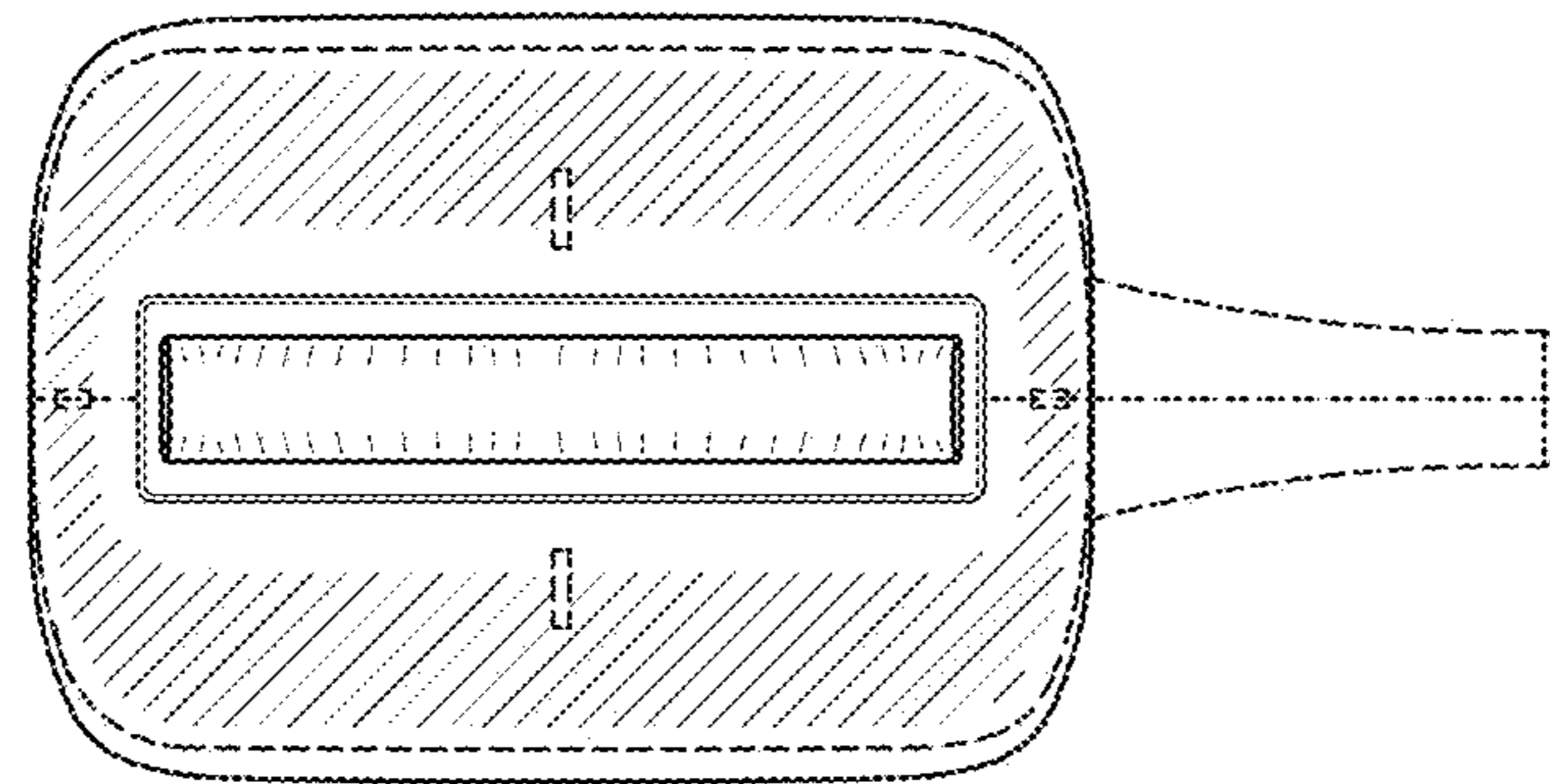


FIG. 4

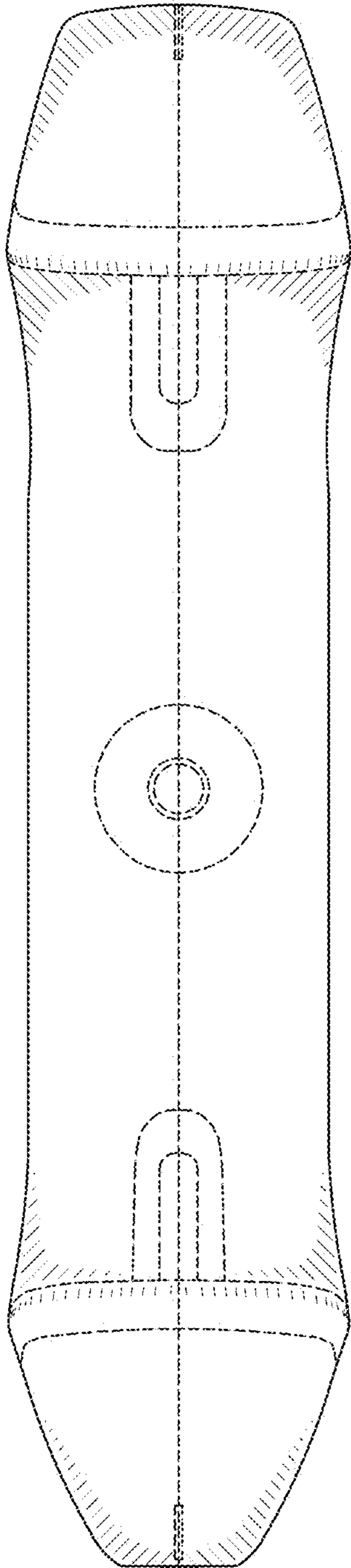


FIG. 5

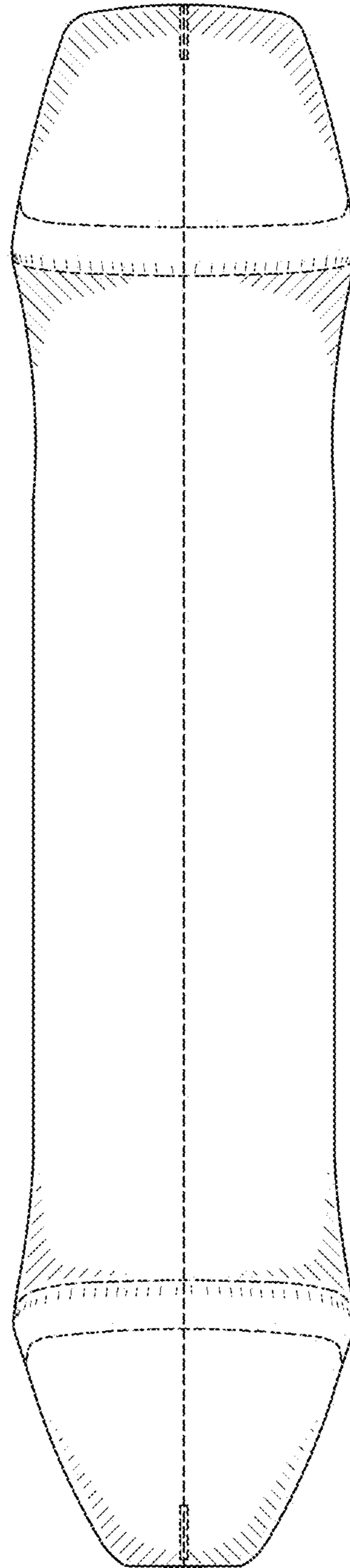


FIG. 6

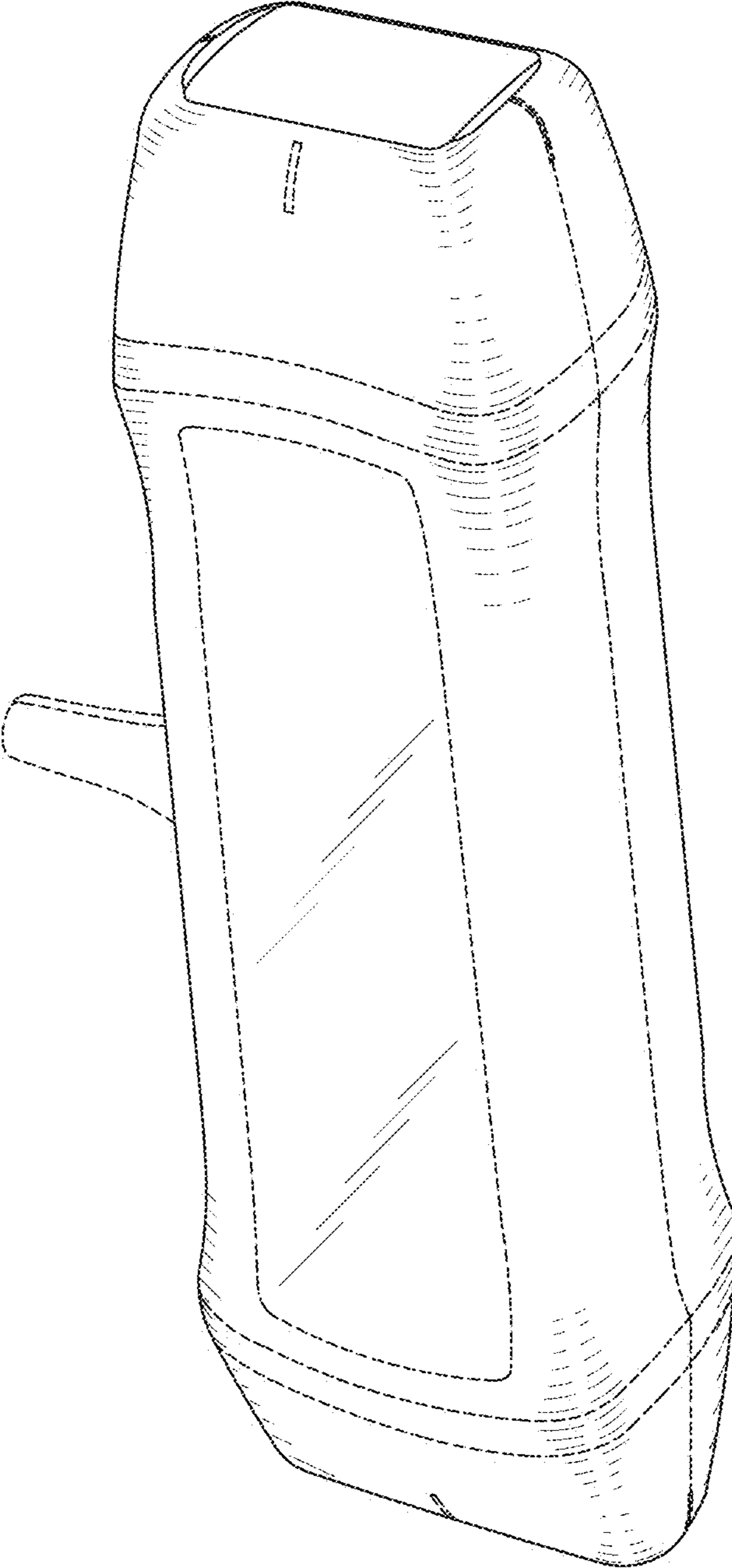


FIG. 7

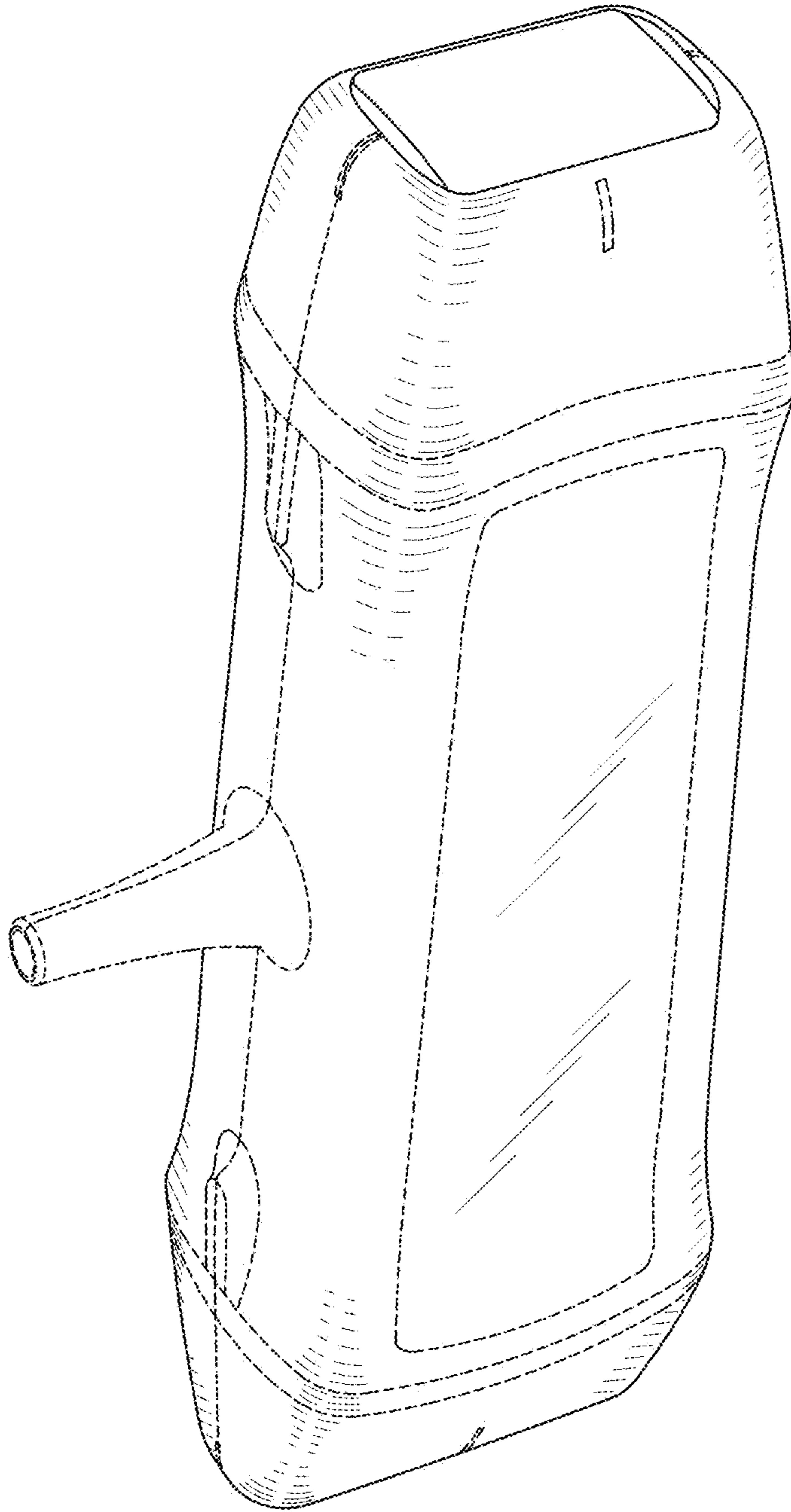


FIG. 8

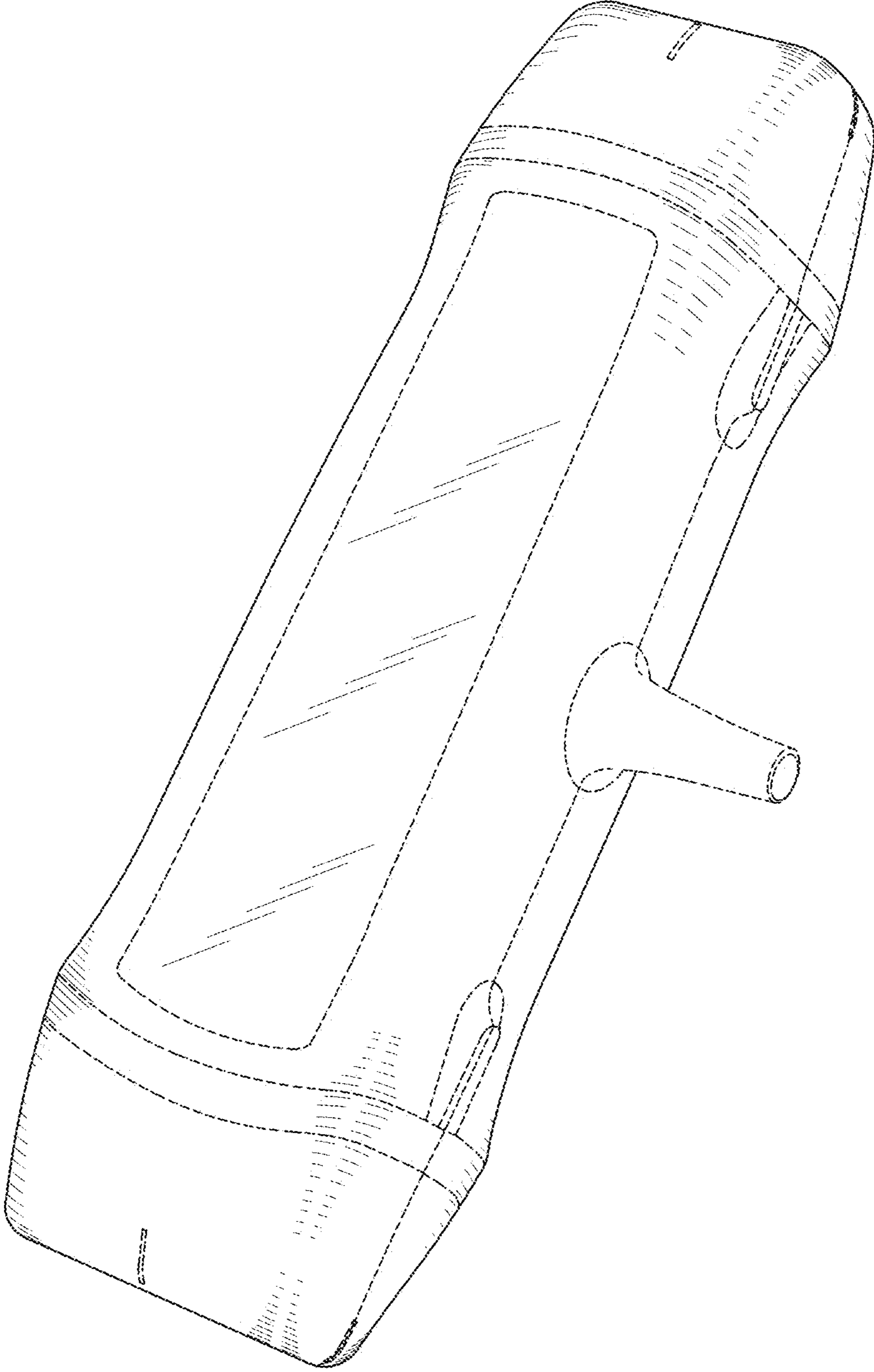


FIG. 9

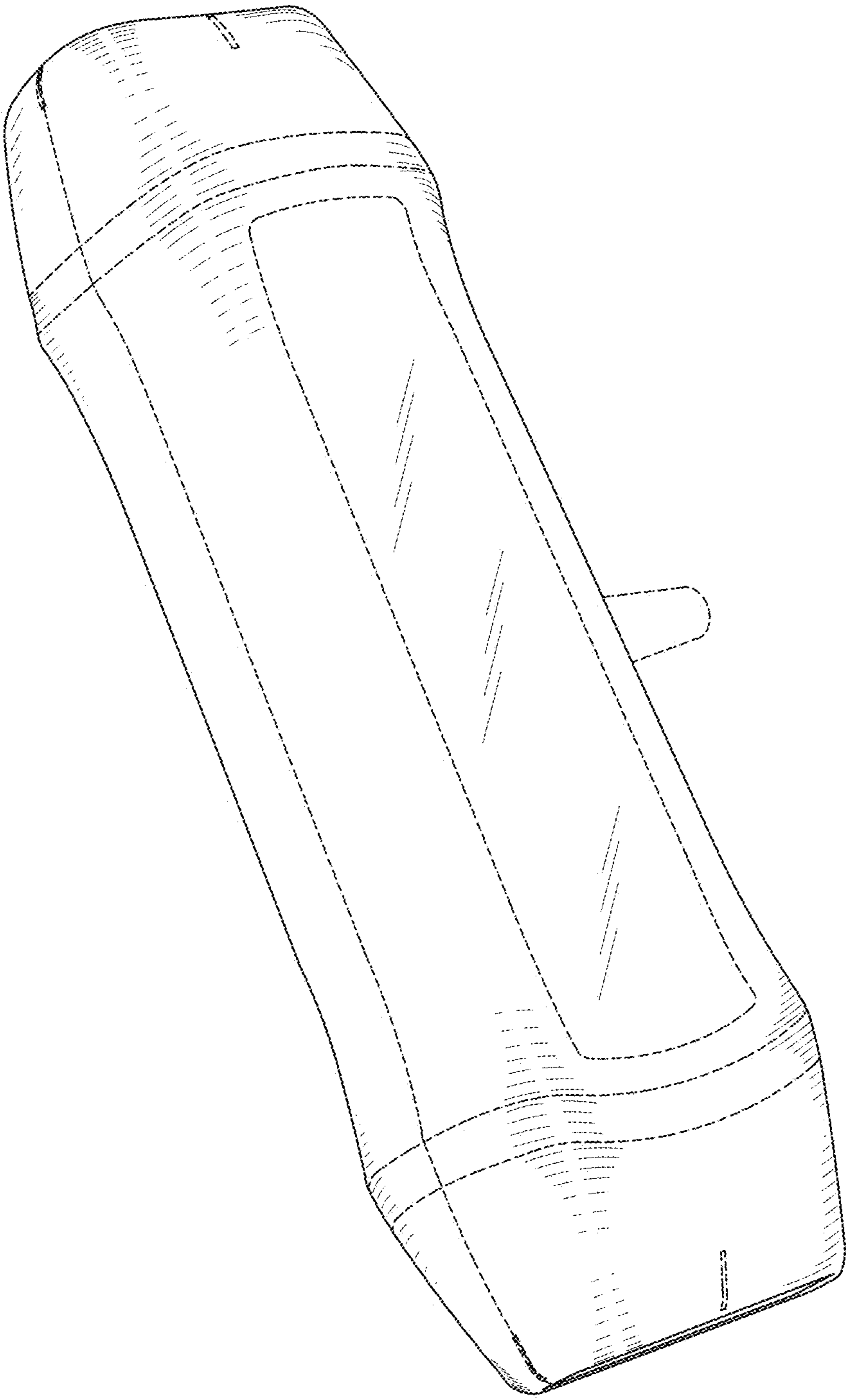


FIG. 10