



US00D745685S

(12) **United States Design Patent**  
**Azimi**

(10) **Patent No.:** **US D745,685 S**

(45) **Date of Patent:** **\*\* Dec. 15, 2015**

(54) **VITAL SIGN SENSOR**

(71) Applicant: **Saeed Azimi**, Los Gatos, CA (US)

(72) Inventor: **Saeed Azimi**, Los Gatos, CA (US)

(73) Assignee: **DynoSense Corp.**, San Jose, CA (US)

(\*\*) Term: **14 Years**

(21) Appl. No.: **29/478,924**

(22) Filed: **Jan. 9, 2014**

(51) **LOC (10) Cl.** ..... **24-01**

(52) **U.S. Cl.**  
USPC ..... **D24/186**

(58) **Field of Classification Search**  
USPC ..... D24/168, 186-187, 200, 172, 188, 165,  
D24/216, 164, 110-111, 167; 601/15, 71;  
600/372, 382, 383, 386-394, 544, 554,  
600/528, 484; 607/45, 46, 115, 139, 141,  
607/104

CPC ..... A61H 2201/0207; A61H 23/0263;  
A61B 5/0408; A61B 5/04085; A61B 5/0478;  
A61B 5/04082; A61B 5/6831; A61B 5/04087;  
A61B 3/16; A61B 3/165; A61B 5/0476;  
A61B 5/05; A61B 7/04; A61B 5/0205;  
A61N 1/3605; A61N 1/36021; A61N 1/05;  
A61N 1/0472; A61N 1/0408; A61F 7/02;  
A63B 69/00

See application file for complete search history.

(56) **References Cited**

U.S. PATENT DOCUMENTS

D414,870 S	*	10/1999	Saltzstein et al. ....	D24/186
D427,315 S	*	6/2000	Saltzstein et al. ....	D24/186
D447,569 S	*	9/2001	Baily et al. ....	D24/186
D460,559 S	*	7/2002	Knieriem et al. ....	D24/186
D491,270 S	*	6/2004	Barker .....	D24/186
D512,151 S	*	11/2005	Ward et al. ....	D24/111
D535,031 S	*	1/2007	Barrett et al. ....	D24/186
D536,794 S	*	2/2007	Knieriem et al. ....	D24/186
D536,795 S	*	2/2007	Knieriem et al. ....	D24/186
D600,814 S	*	9/2009	Lathrop et al. ....	D24/186
D632,397 S	*	2/2011	Edwards et al. ....	D24/186
D635,681 S	*	4/2011	Edwards et al. ....	D24/186
D678,531 S	*	3/2013	Patil .....	D24/186
D711,005 S	*	8/2014	Purdy et al. ....	D24/186
D725,784 S	*	3/2015	Xia et al. ....	D24/186

\* cited by examiner

*Primary Examiner* — T. Chase Nelson

*Assistant Examiner* — Mark Cavanna

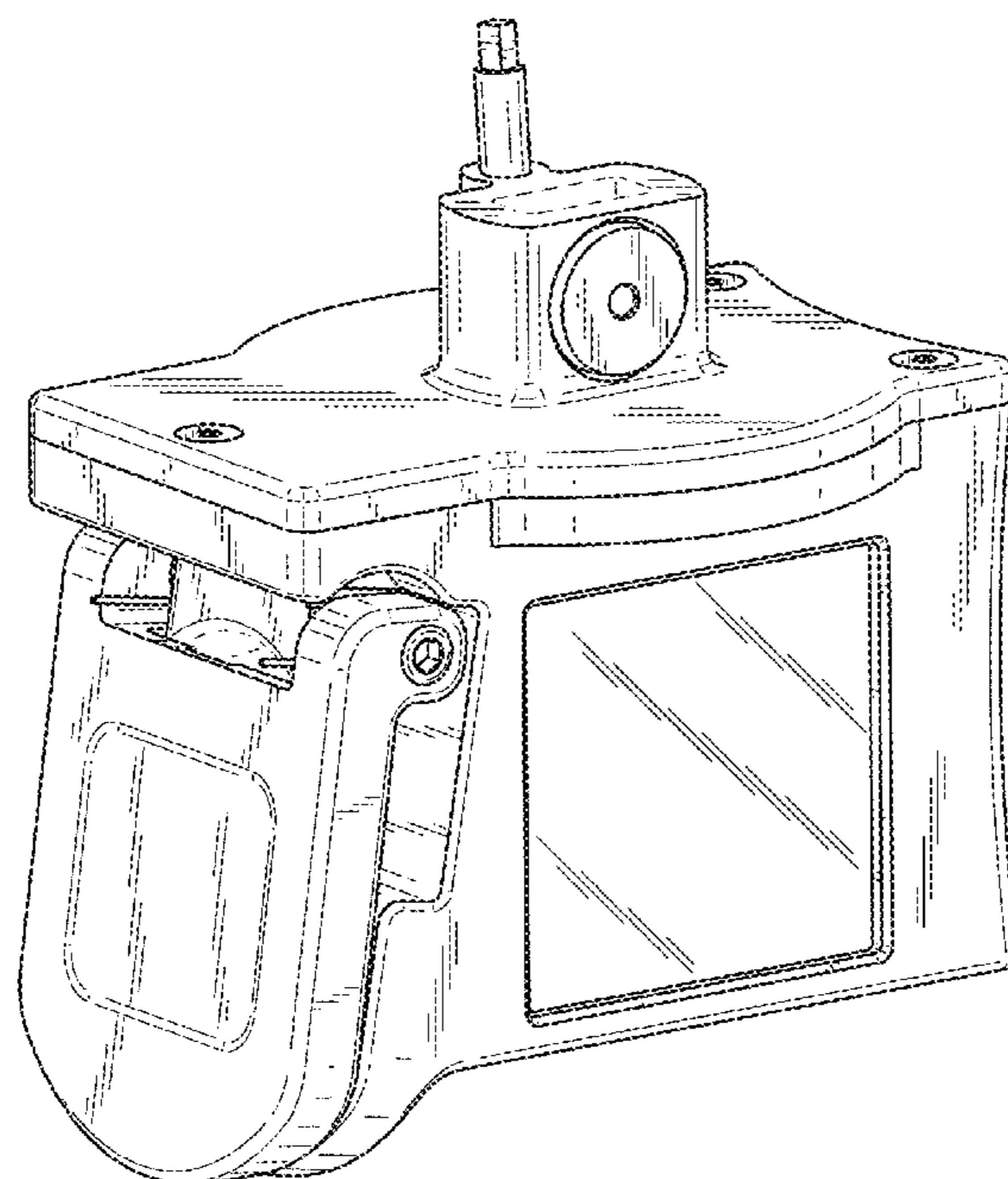
(57) **CLAIM**

The ornamental design for a vital sign sensor, as shown and described.

**DESCRIPTION**

FIG. 1 is an isometric view of a vital sign sensor; FIG. 2 is a front elevation view of the vital sign sensor; FIG. 3 is a rear elevation view of the vital sign sensor; FIG. 4 is a left side elevation view of the vital sign sensor; FIG. 5 is a right side elevation view of the vital sign sensor; FIG. 6 is a bottom plan view of the vital sign sensor; and, FIG. 7 is a top plan view of the vital sign sensor. The broken lines are included for the purposes of illustrating unclaimed portions of the vital sign sensor and form no part of the claimed design.

**1 Claim, 3 Drawing Sheets**



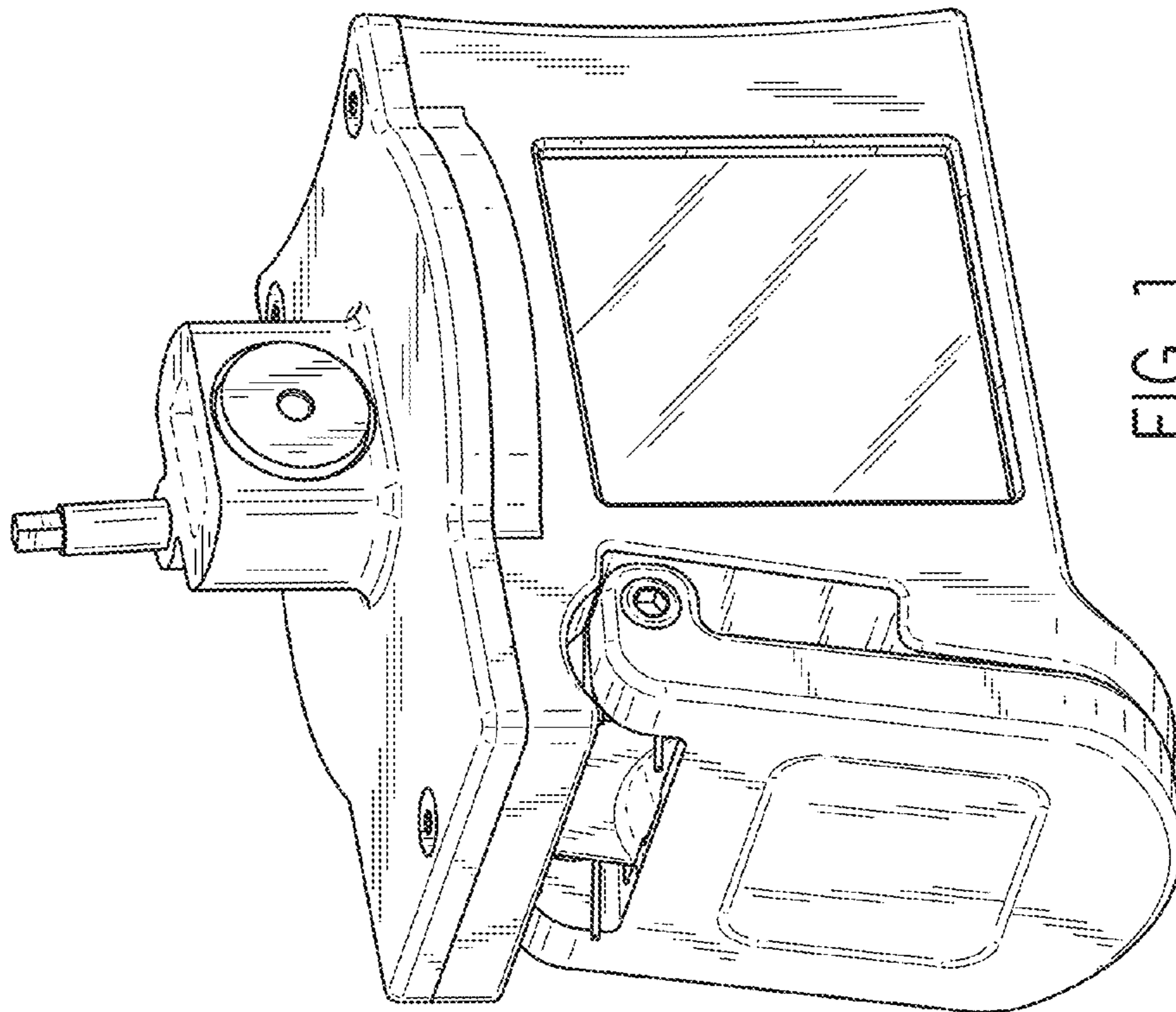


FIG. 1

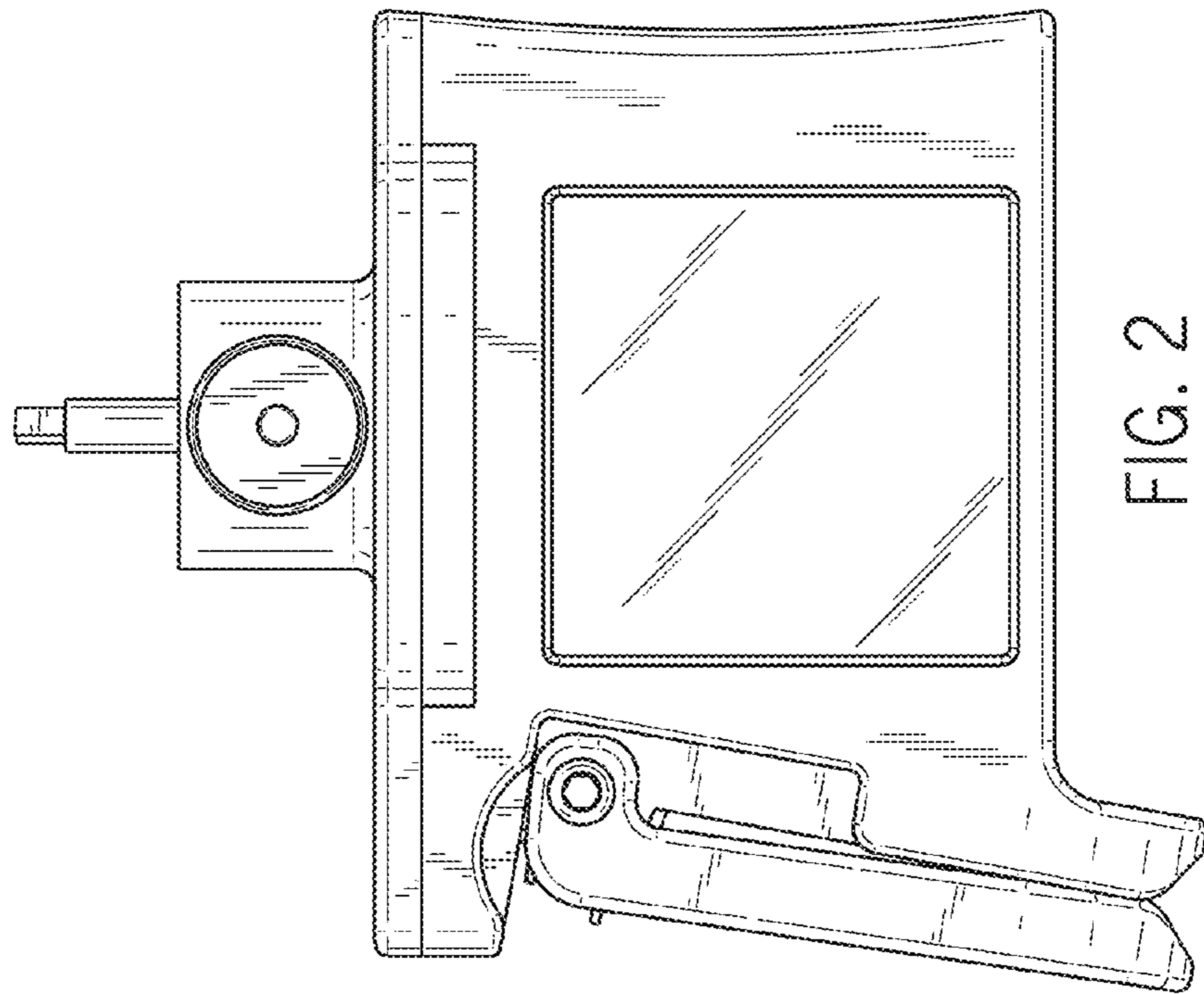


FIG. 2

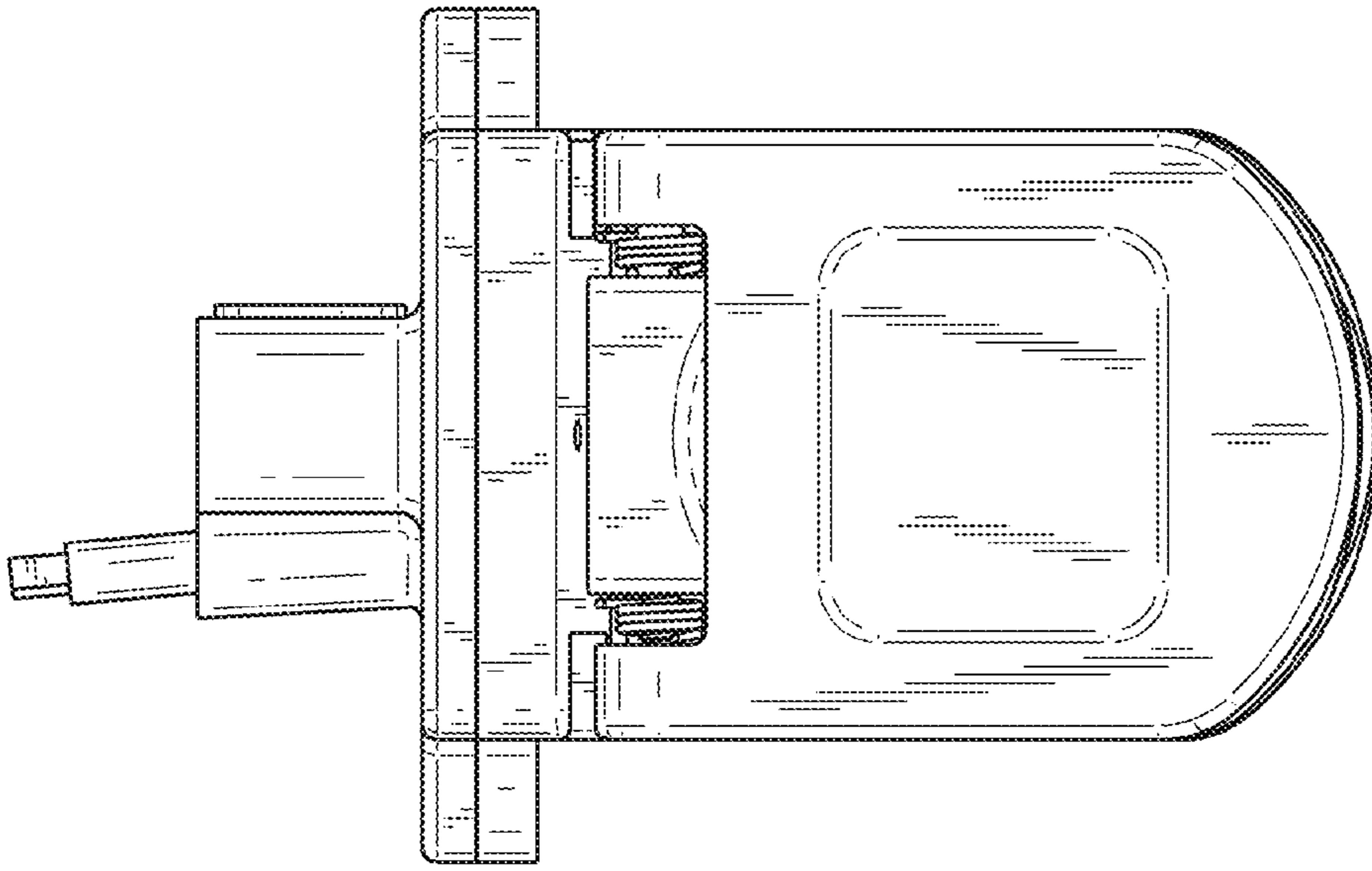


FIG. 4

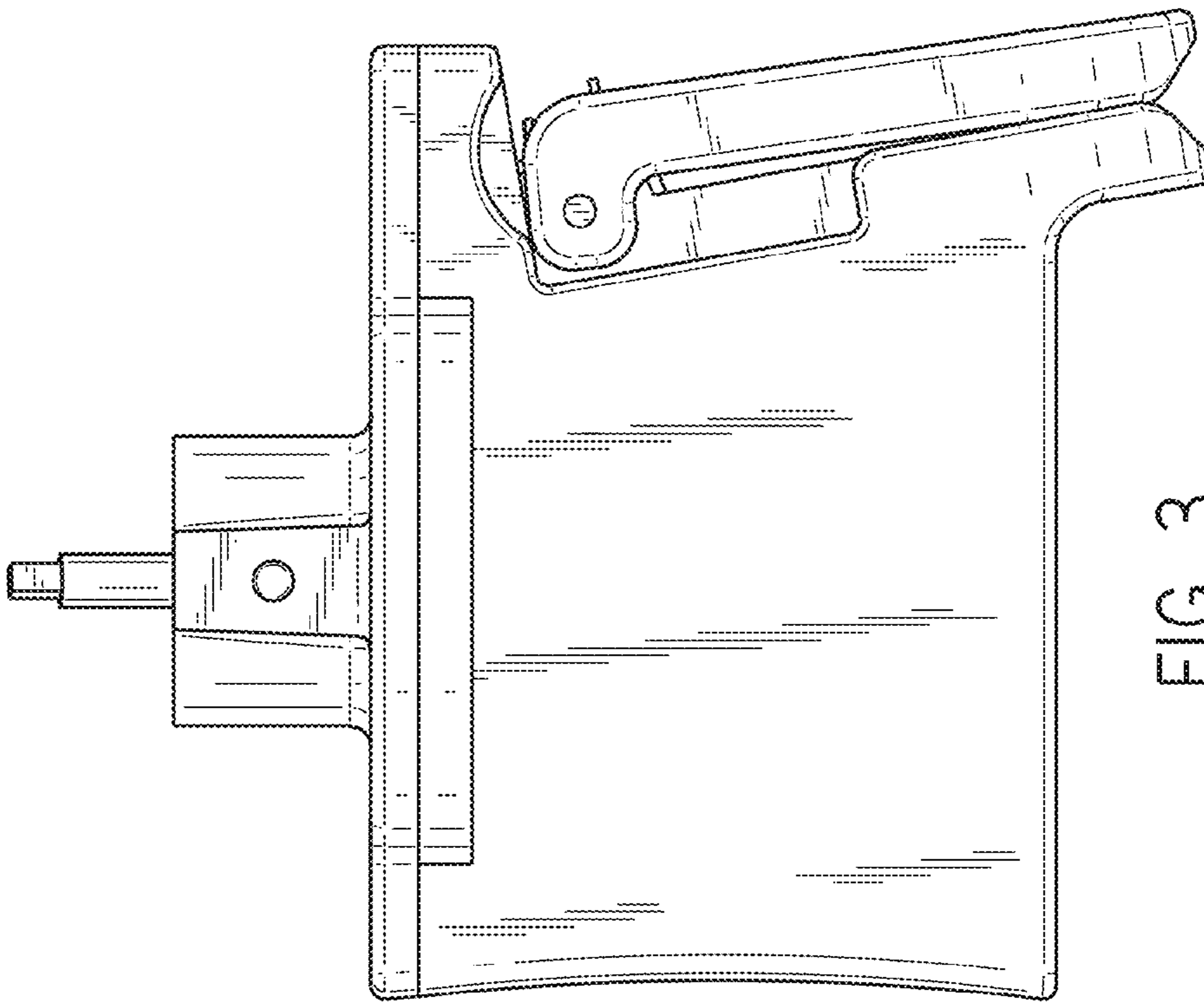


FIG. 3

