



US00D745683S

(12) **United States Design Patent**
Kannan et al.

(10) **Patent No.:** **US D745,683 S**
(45) **Date of Patent:** **** Dec. 15, 2015**

(54) **ANESTHESIA HYGIENE ORGANIZER**

(56) **References Cited**

(71) Applicants: **Murlikrishna Kannan**, Palmetto Bay, FL (US); **Sushmitha Santhosh**, Palmetto Bay, FL (US)

U.S. PATENT DOCUMENTS

D248,405	S	*	7/1978	Leong	D24/111
D375,158	S	*	10/1996	Milani	D24/110
7,040,484	B1		5/2006	Homra et al.		
7,343,919	B2		3/2008	Czajka et al.		
D648,032	S	*	11/2011	Schon	D24/186
2010/0065068	A1		3/2010	Hamazaki et al.		

(72) Inventors: **Murlikrishna Kannan**, Palmetto Bay, FL (US); **Sushmitha Santhosh**, Palmetto Bay, FL (US)

* cited by examiner

(73) Assignee: **Aditi Holdings, LLC**, Miami, FL (US)

Primary Examiner — Zenia Bennett

(**) Term: **14 Years**

(74) *Attorney, Agent, or Firm* — Keller Life Science Law, PA; Michael J. Keller

(21) Appl. No.: **29/469,135**

(57) **CLAIM**

We claim the ornamental design for an anesthesia hygiene organizer, as shown and described.

(22) Filed: **Oct. 7, 2013**

DESCRIPTION

(51) **LOC (10) Cl.** **24-01**

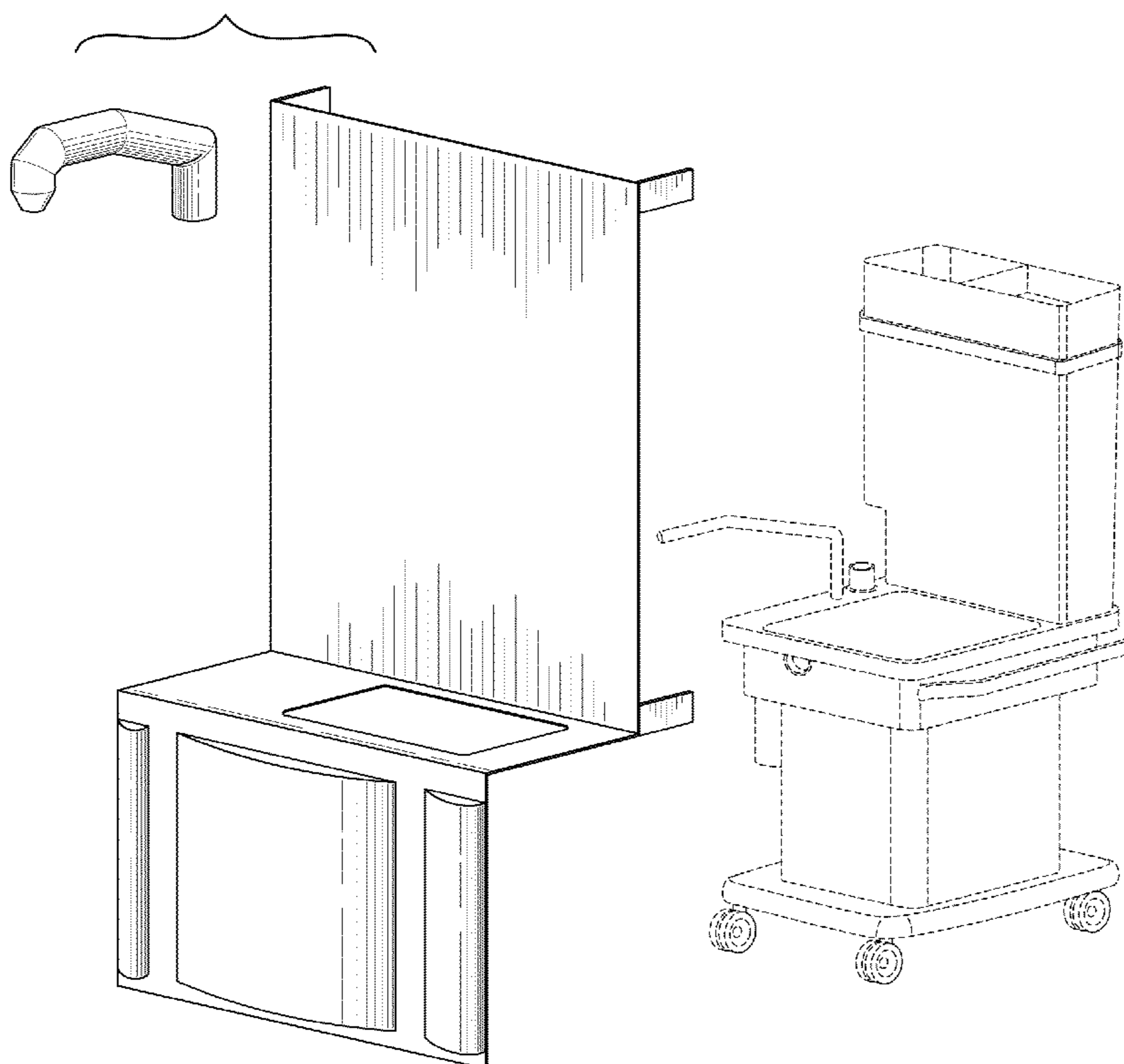
(52) **U.S. Cl.**
USPC **D24/184**

(58) **Field of Classification Search**
USPC D24/183, 184, 200, 127, 171, 185, 158;
D6/418, 366, 601; 5/636, 640, 632,
5/622, 623; 128/845, 846, 869, 849;
602/16; 248/118.1, 118.3, 230.2, 118,
248/118.5, 279.1, 125.9; D12/421
CPC .. A61B 1/0051; A61B 1/00142; A61B 19/08;
A61B 19/081

FIG. 1 is an exploded perspective view of an anesthesia hygiene organizer, showing our new design;
FIG. 2 is a front elevational view thereof;
FIG. 3 is a rear elevational view thereof;
FIG. 4 is a right-side elevational view thereof, the left-side elevational view being a mirror image thereof;
FIG. 5 is a top plan view thereof; and,
FIG. 6 is a bottom plan view thereof.
The broken lines showing a anesthesia hygiene machine in FIG. 1 depict environmental matter and form no part of the claimed design.

See application file for complete search history.

1 Claim, 3 Drawing Sheets



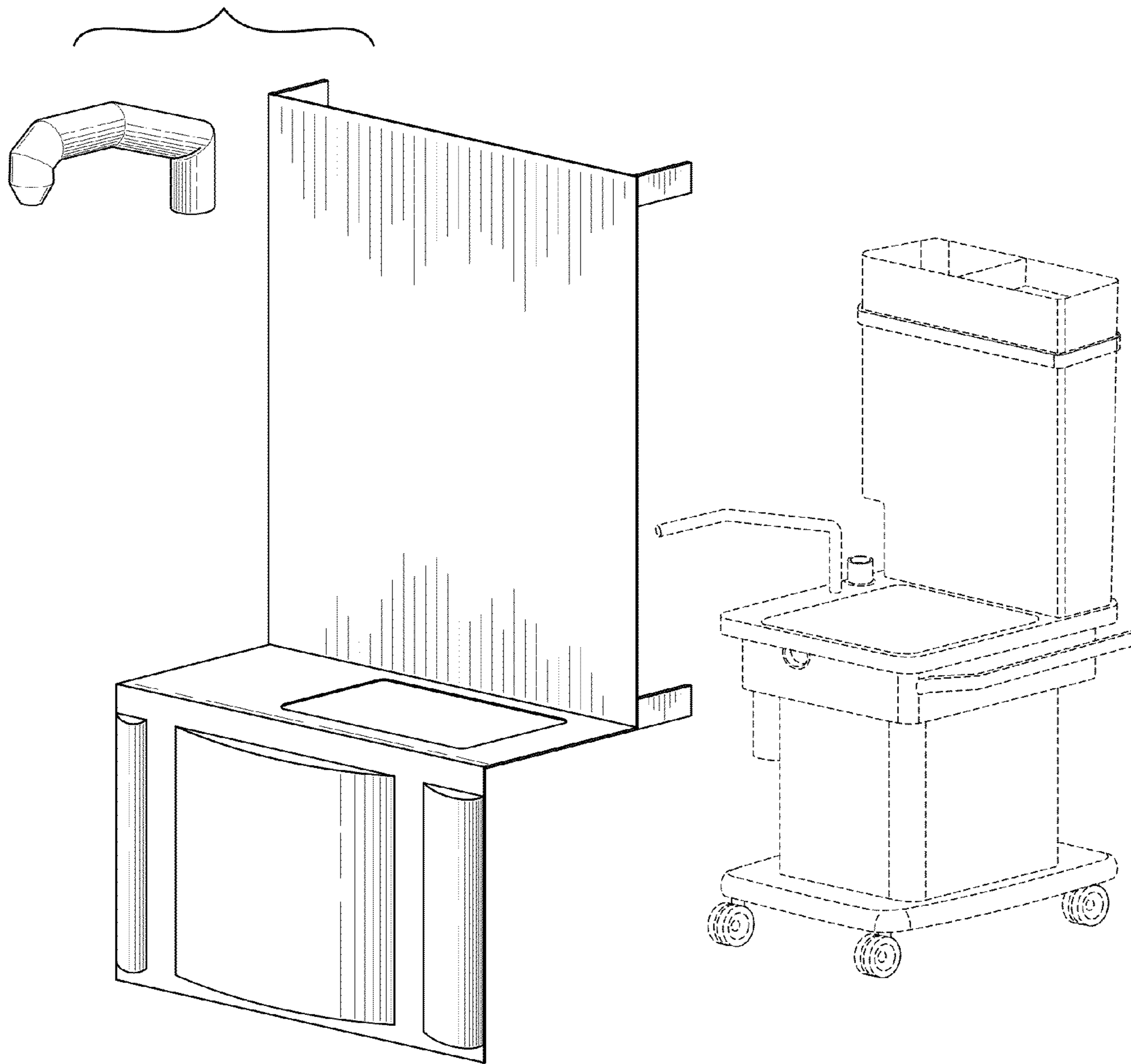


FIG. 1

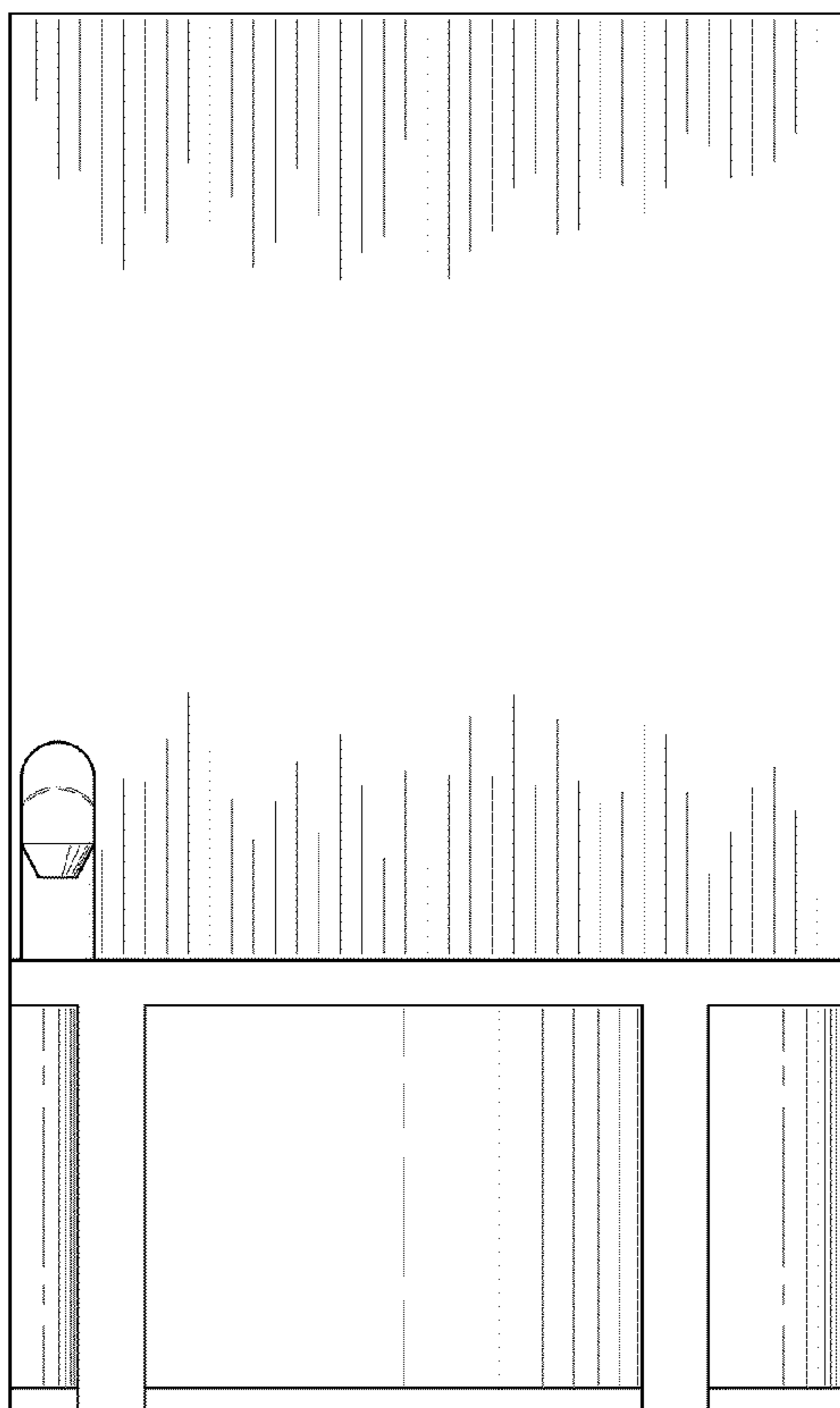


FIG. 2

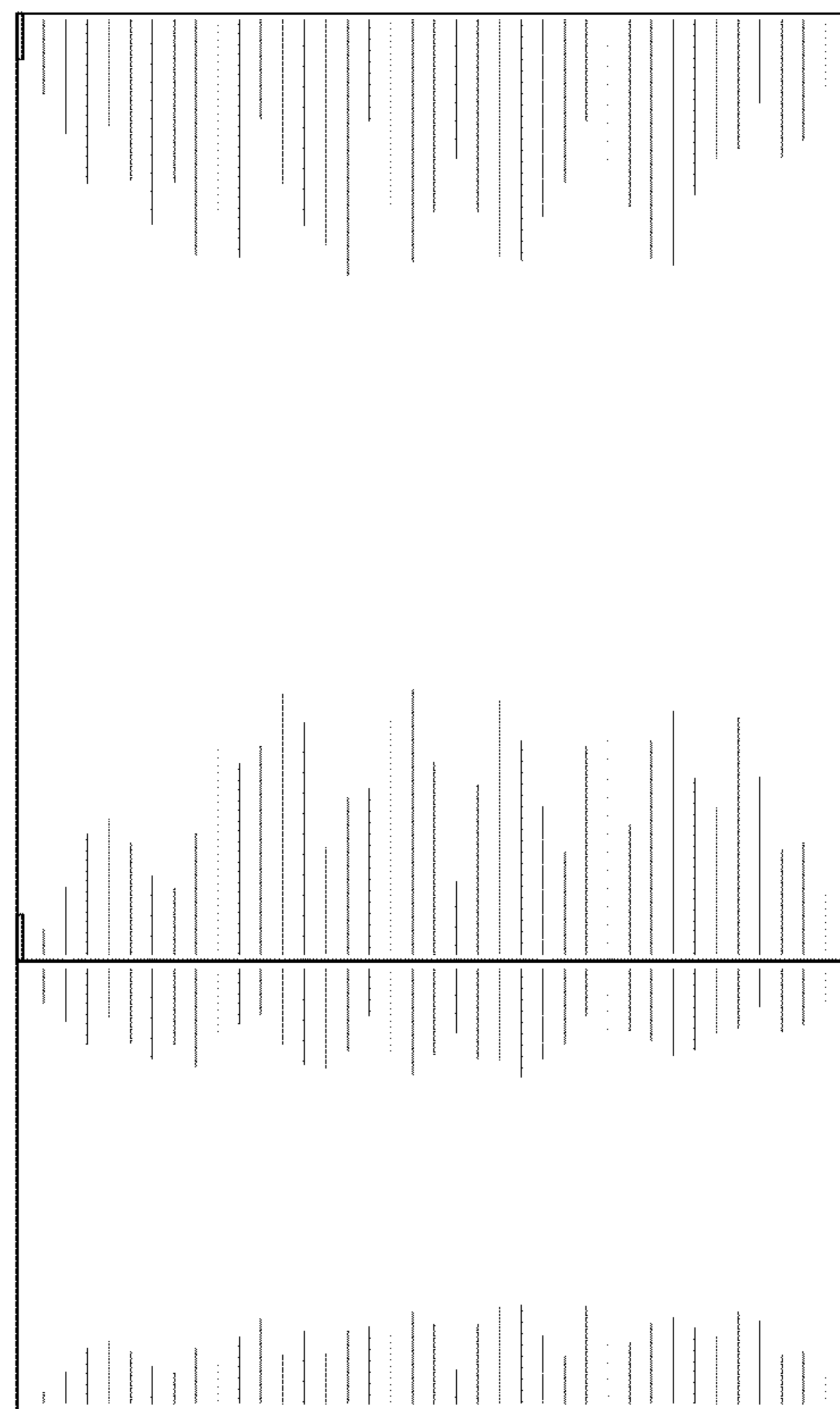


FIG. 3

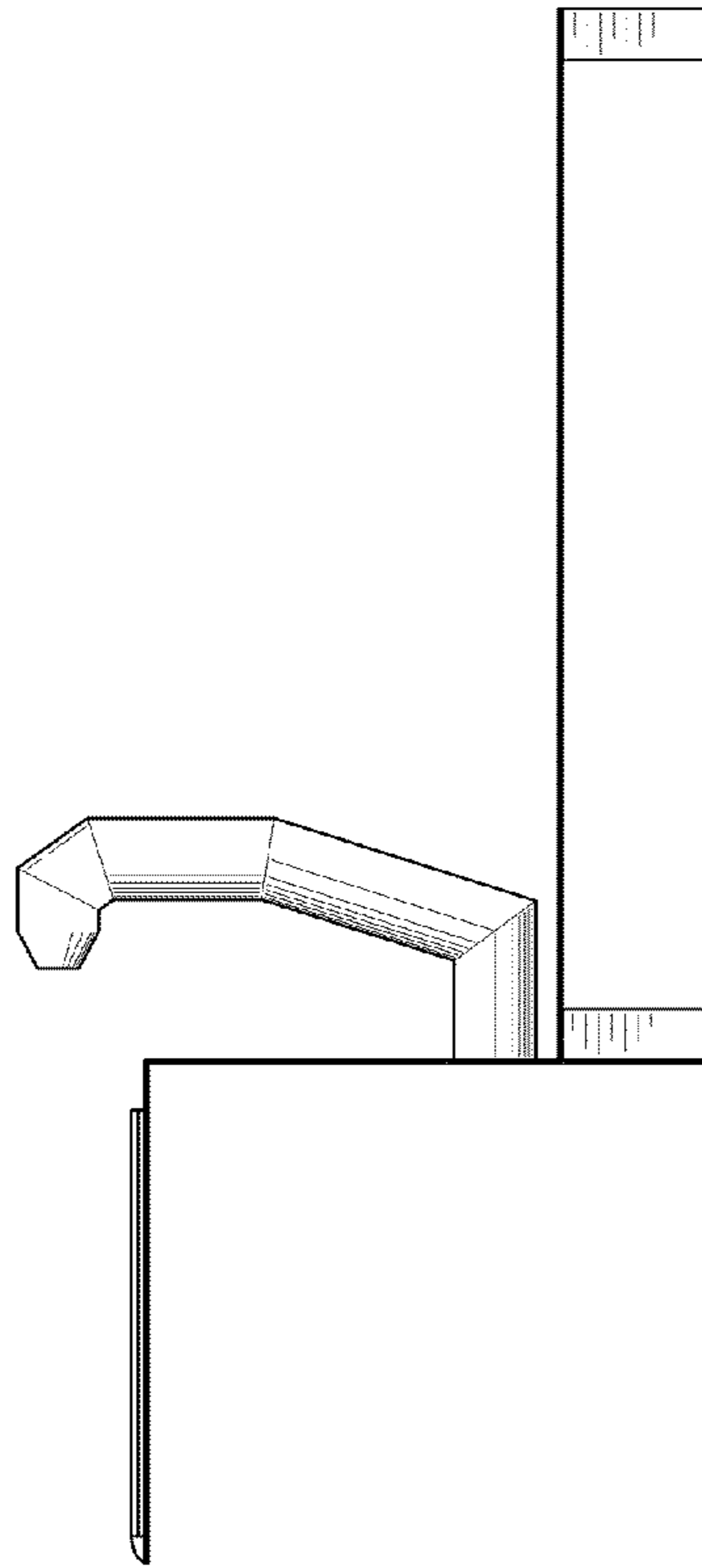


FIG. 4

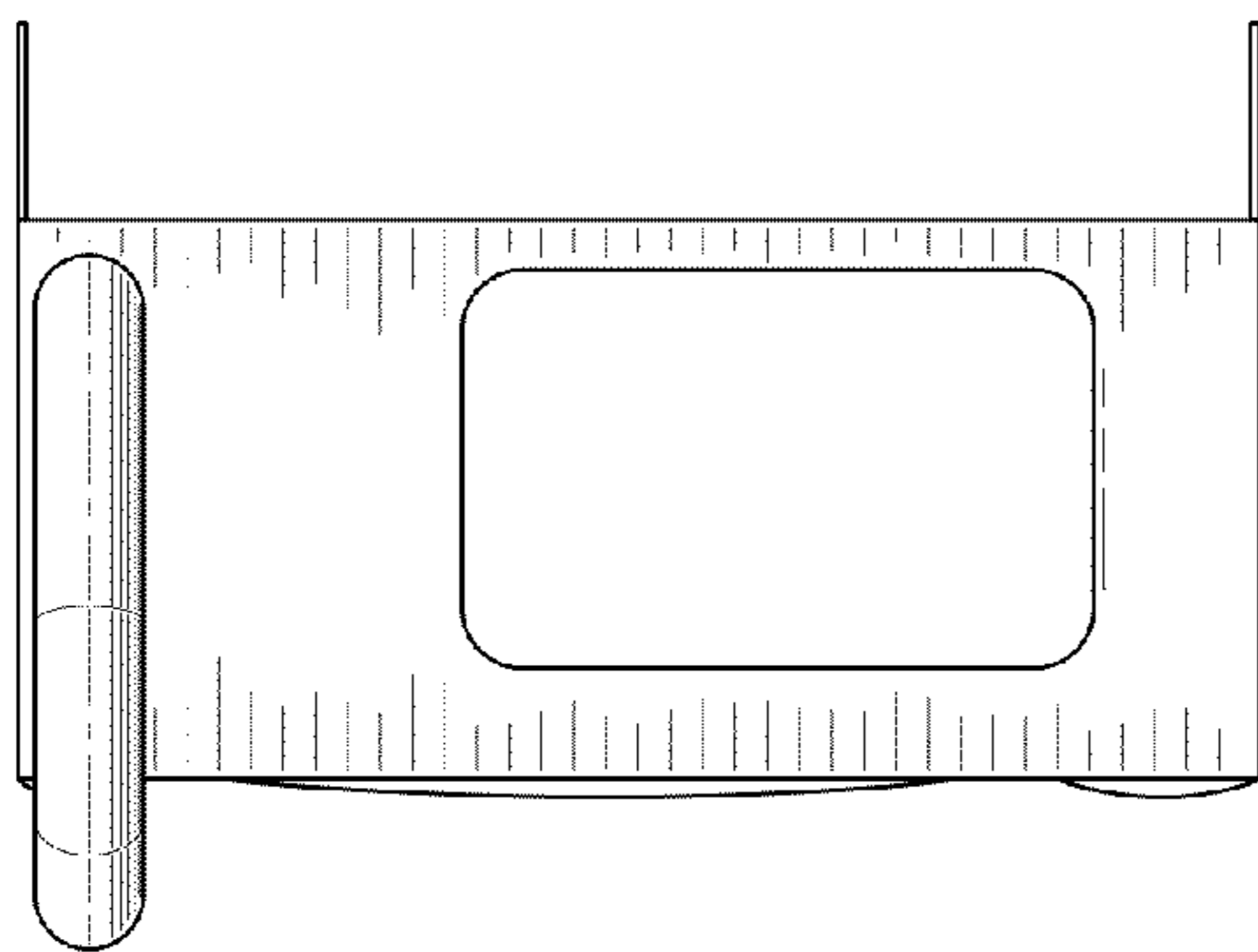


FIG. 5

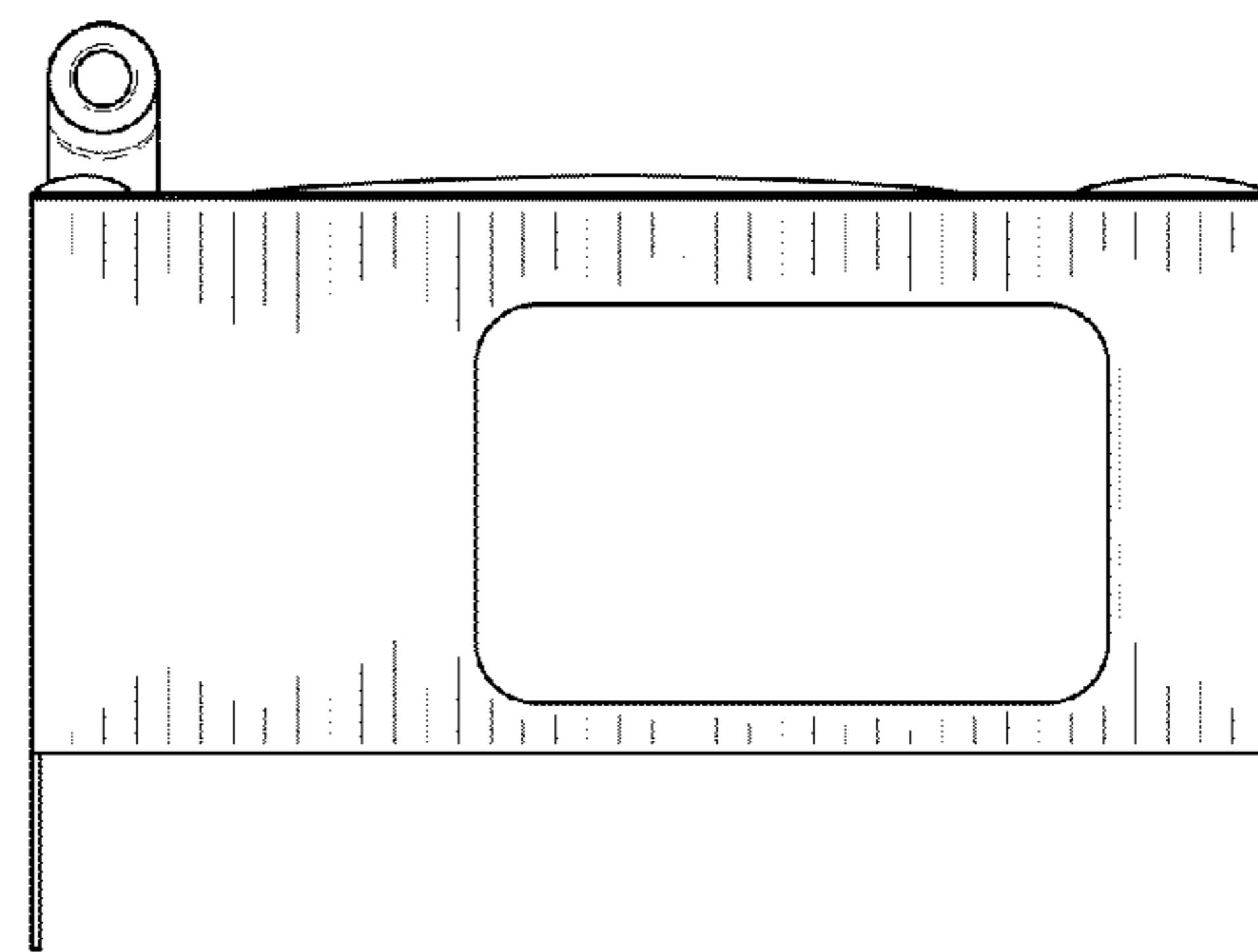


FIG. 6